

POST RAILINGS



STATIC STUDIO

Gamin



Faculty of Civil Engineering



TESTED BY
RISE
SWEDEN

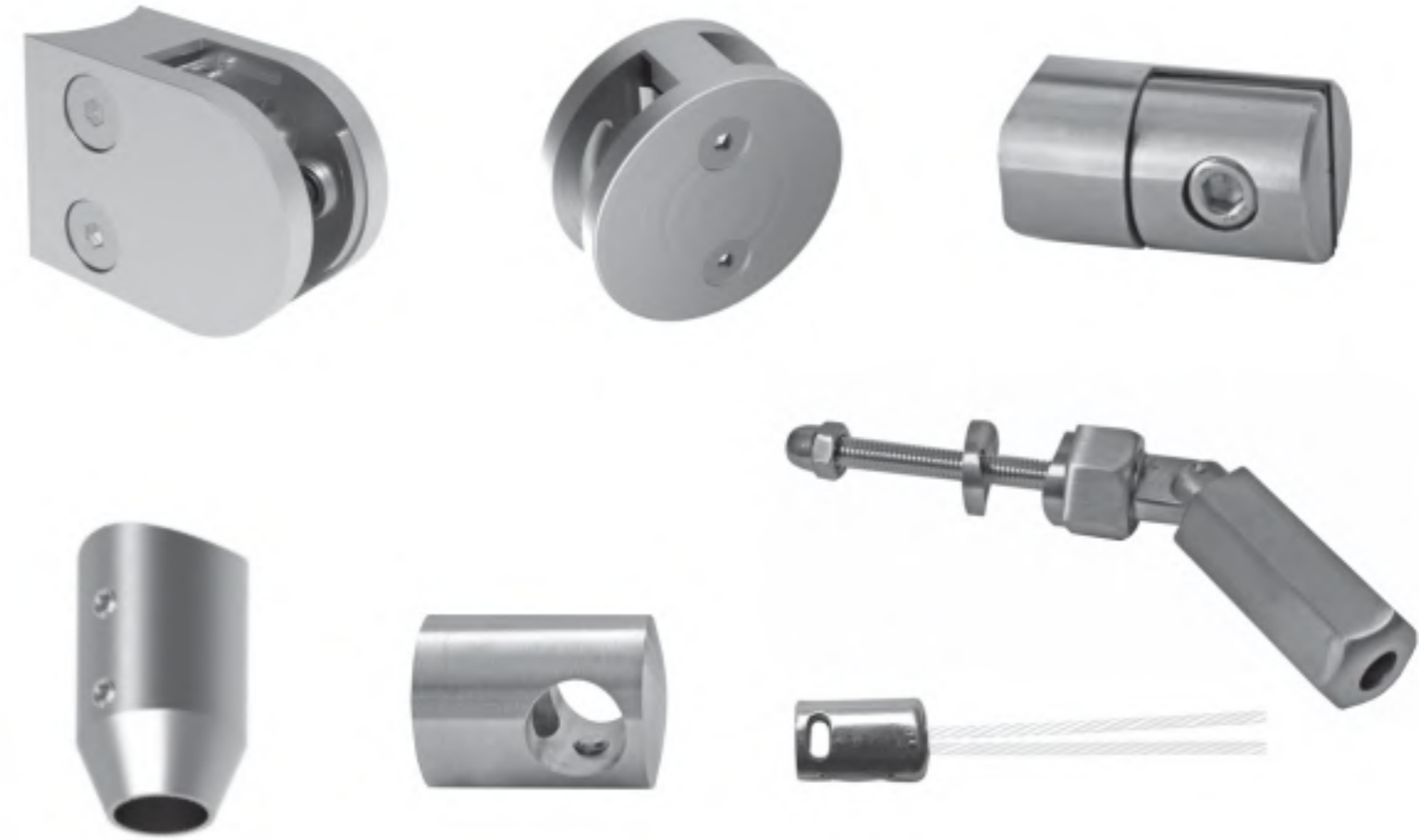


1 POST RAILINGS

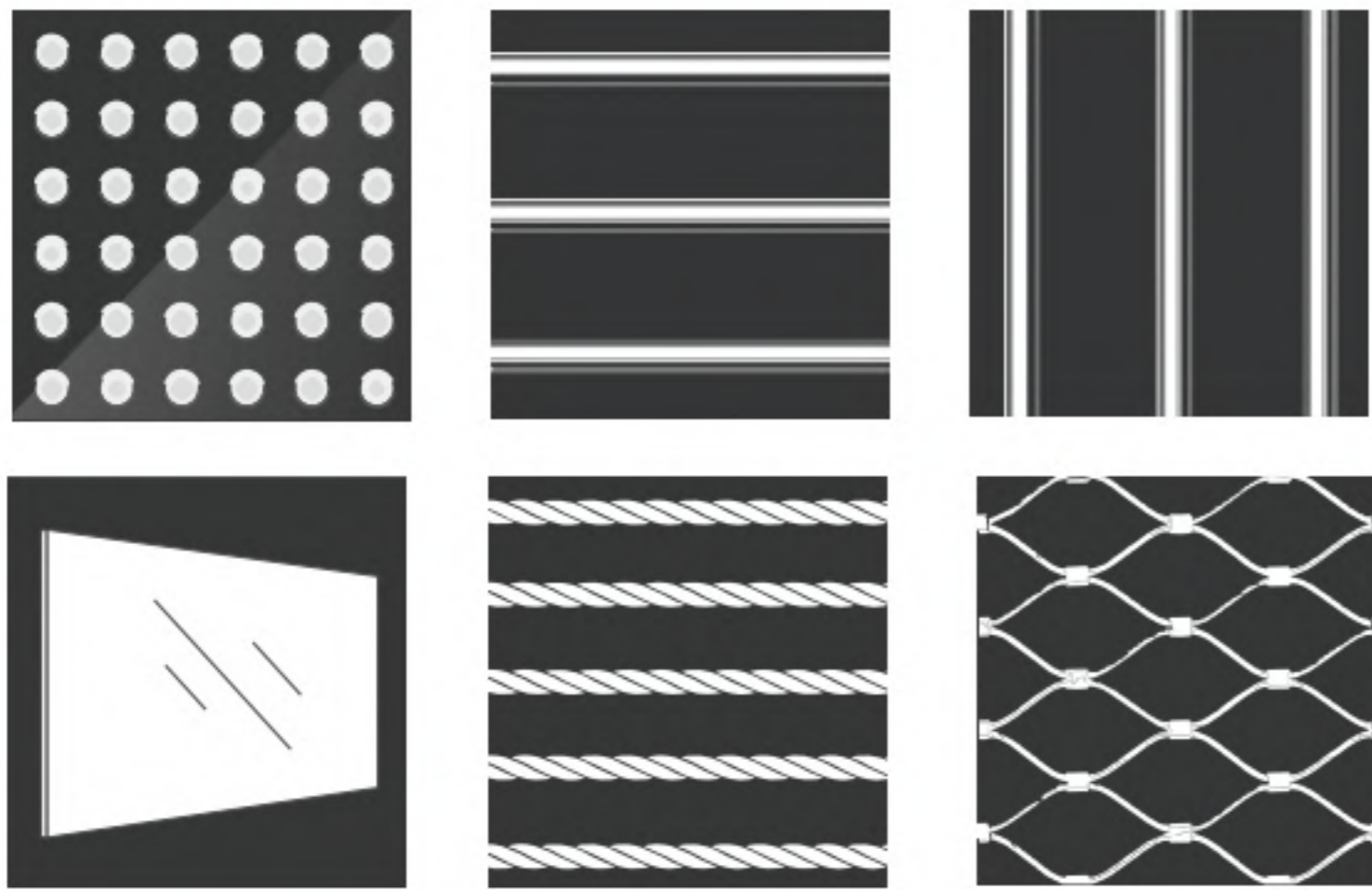
4 - 65

2 INFILL HOLDERS

GLASS
PLATE
BAR/TUBE
VERTICAL
CABLE MESH
CABLE



66 - 123

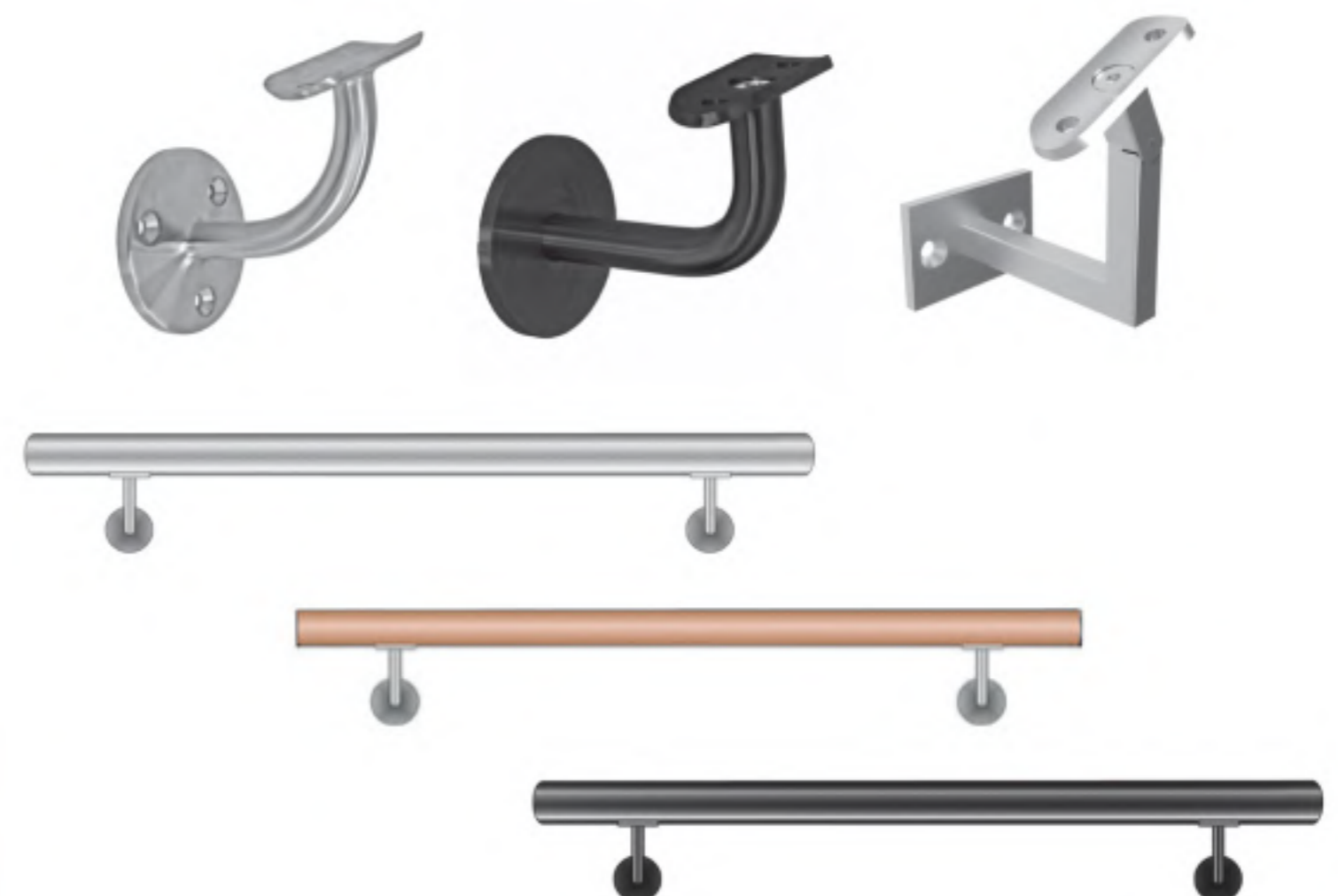


3 INFILLS, COMPONENTS

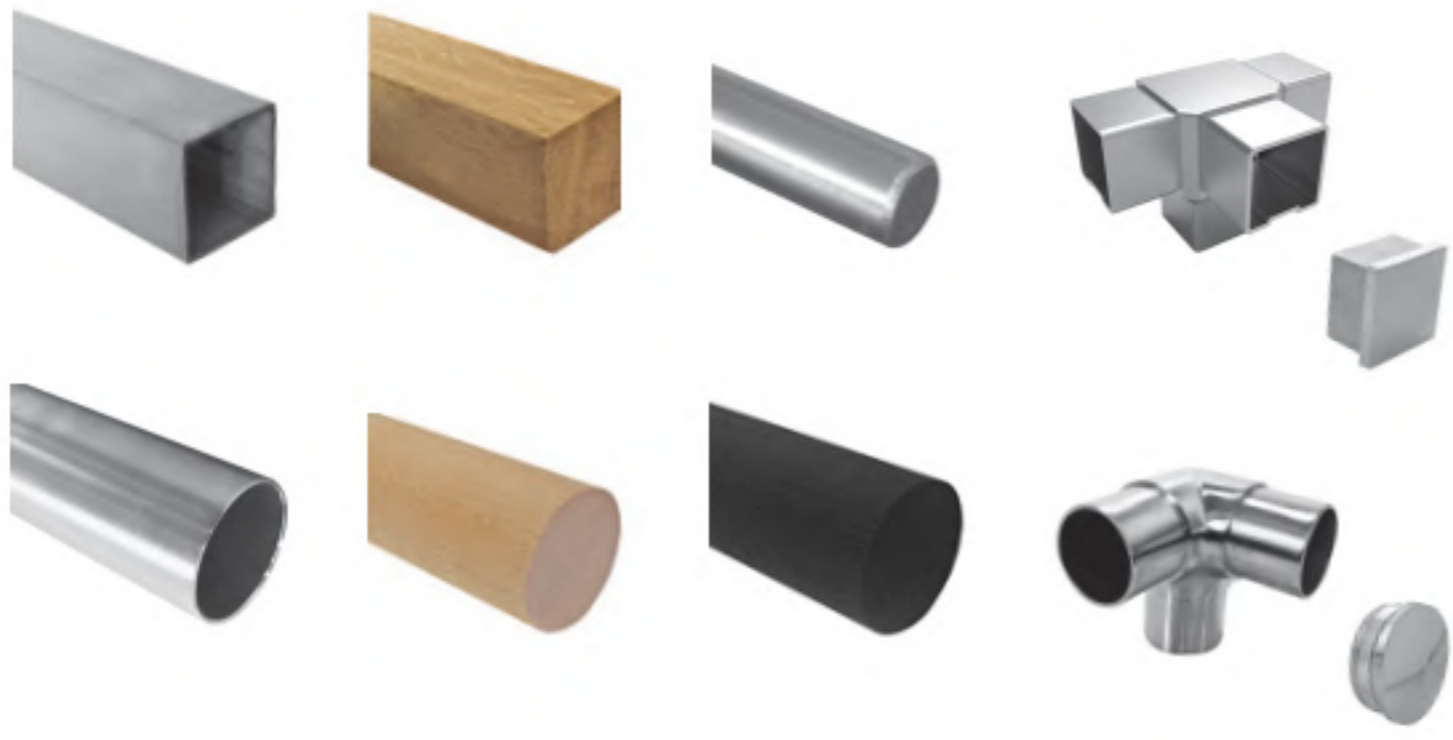
GLASS
PLATE
BAR/TUBE
VERTICAL
CABLE MESH
CABLE

124 - 137

4 HANDRAIL HOLDERS



138 - 159



5 HANDRAILS

160 - 183

6 LED HANDRAILS

184 - 191



7 STAIRS

192- 195

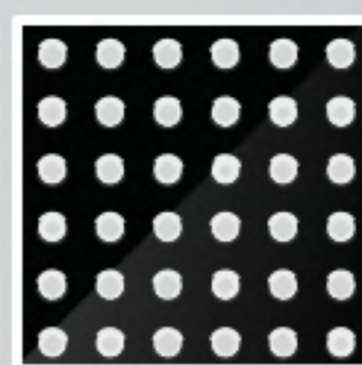
8 ACCESSORIES

196 - 212





1 POST RAILINGS





**ALUMINIUM
OVAL SYSTEM**

**GLASS
SYSTEM**



**SQUARE
SYSTEM**

**GLASS
SYSTEM**

**HORIZONTAL
SYSTEM**

**VERTICAL
SYSTEM**

ATYP

COMPONENTS



**ROUND
SYSTEM**

**GLASS
SYSTEM**

**HORIZONTAL
SYSTEM**

**VERTICAL
SYSTEM**

ATYP

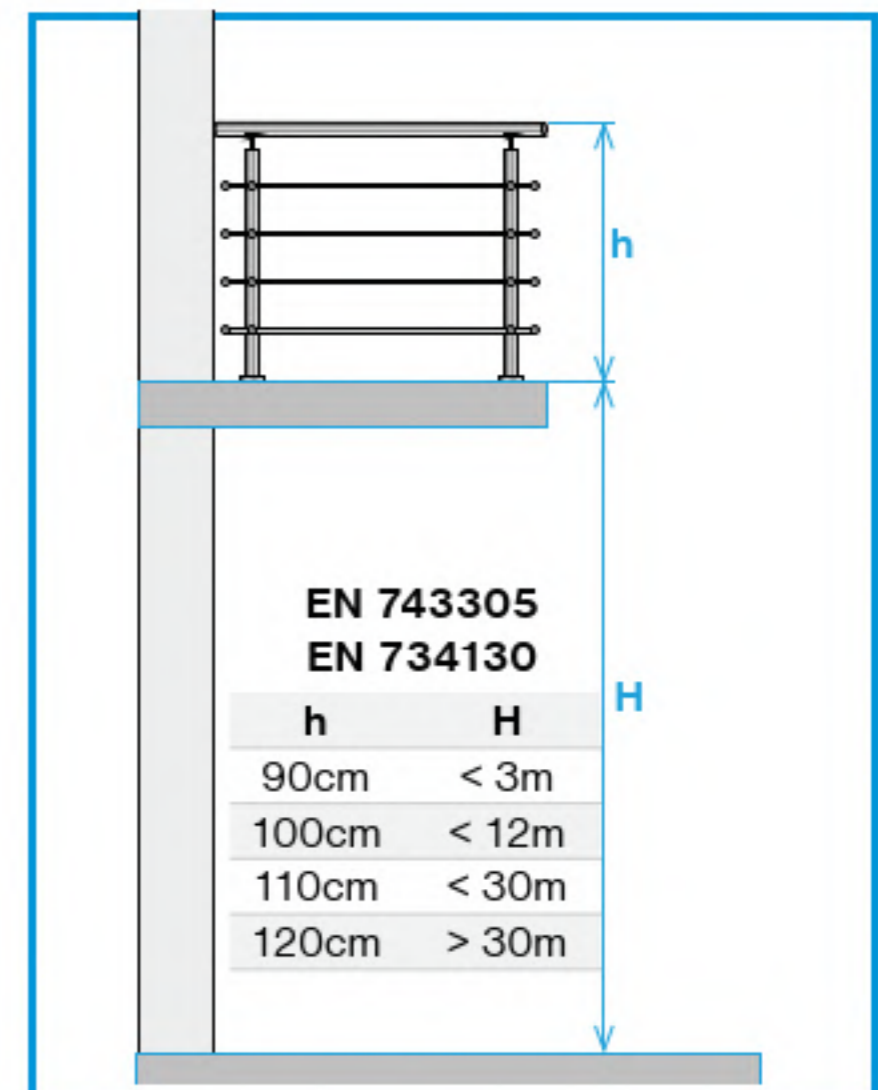
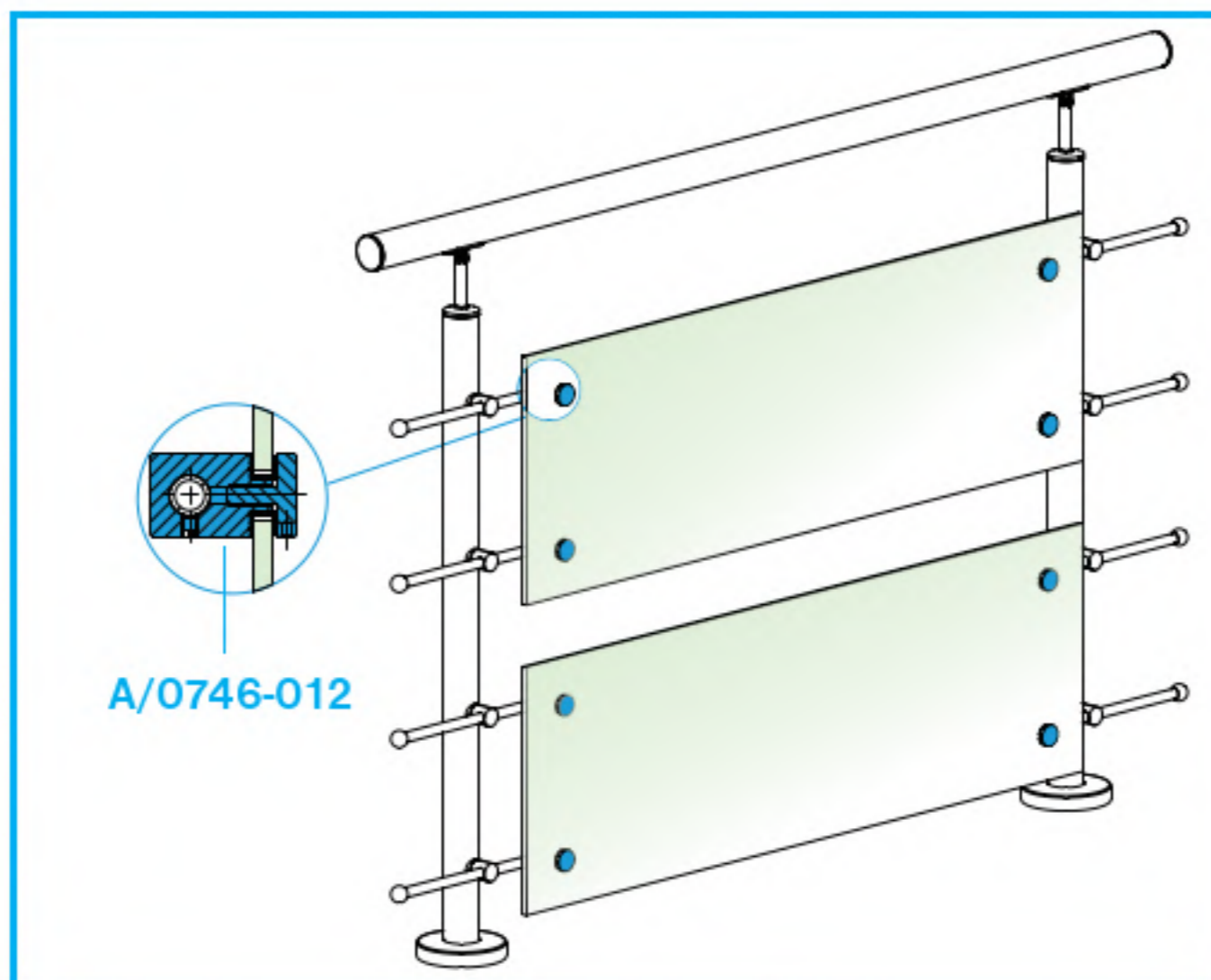
COMPONENTS

SQUARE
40x40

quality	finish	mount	art.	HEIGHT (mm)	VS / BS	VR / BR	..VER	..2G	4G/4G90	HOLDER D12	HOLDER JP10	THREAD Type	ROUND handrail	SQUARE handrail		
AISI304	satin	TOP MOUNT	AJP-VR100-2GR	1000		•		•					M8*	•		
			AJP-VR100-2GL	1000		•		•					M8*	•		
			AJP-VR100-4G	1000			•			•				M8*	•	
			AJP-VR100-2GR-230	1000		•			•					M8*		•
			AJP-VR100-2GL-230	1000		•			•					M8*		•
			AJP-VR100-4G-230	1000		•				•				M8*		•
			AJP-VR100-4G90-230	1000		•				•				M8*		•
			AJP-VER-VR100	956				•								
			AJP-VR90-4D12	900				•				4x		M5	•	
			AJP-VS90-4D12	1000		•						4x		M5	•	
AJP-VR90-4JP10	900				•					4x	M5*		•			
AJP-VR100-5D12	1000				•				5x		M5	•				
AJP-VS100-5D12	1100		•						5x		M5	•				
CORTEN	raw		CAJP-VR100-5D12	1000		•				5x		M5	•			
			CAJP-VS100-5D12	1100	•					5x		M5	•			
Beech	natural		WBJP-VER-VR100	1000		•	•									
			WBJP-VR100-5D12	1000		•				5x		5x35	•			
			WBJP-VS100-5D12	1100	•					5x		5x35	•			
AISI304	satin	SIDE MOUNT	AJP-VR100-5JP10	1000		•						5x	M5*		•	
			AJP-VS100-5JP10	1100	•							5x	M5*		•	
			AJP-VER-BR100	956			•	•								
			AJP-BR90-4D12	900			•				4x		M5	•		
			AJP-BS90-4D12	1000	•						4x		M5	•		
			AJP-BR100-5D12	1000			•				5x		M5	•		
			AJP-BS100-5D12	1100	•						5x		M5	•		
			AJP-BR100-5JP10	1000			•						5x	M5*		•
			AJP-BS100-5JP10	1100	•								5x	M5*		•
			Beech	natural		WBJP-VER-VR100	1000		•	•						
AISI304	satin	SIDE FLEX	AJP-VER-BR100-FLEX	956		•	•									

M5*, M8* - Thread holes cutted to post. The post is completely assembled in this variant
M5, M8 - Rivet nut (A-FTT-M..) crimped to post. The post is partially assembled. Infill holders are not assembled in this variant

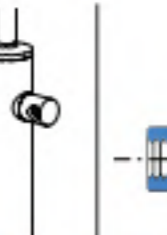
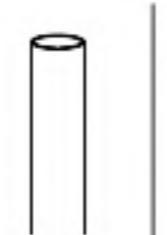
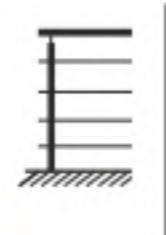
M5*, M8* - Zavítové otvory narezané do stípika. Stípič je v tomto variante kompletne zmontovaný
M5, M8 - Nitovacia matica (A-FTT-M..) nitovaná na stípič. Stípič je čiastočne zmontovaný. Držiaky výplne nie sú namontované



OVAL
81x47

quality	finish	mount	art.	HEIGHT (mm)	VS / BS	VR / BR	2G	4G	4GL90	4GR90
ALUMINIUM	POLISH	TOP MOUNT	AL-VR107-2G	1070		•	•			
			AL-VR107-4G	1070		•		•		
			AL-VR107-4GL90	1070		•			•	
			AL-VR107-4GR90	1070		•				•

ROUND
D42
D50



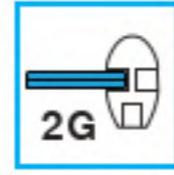
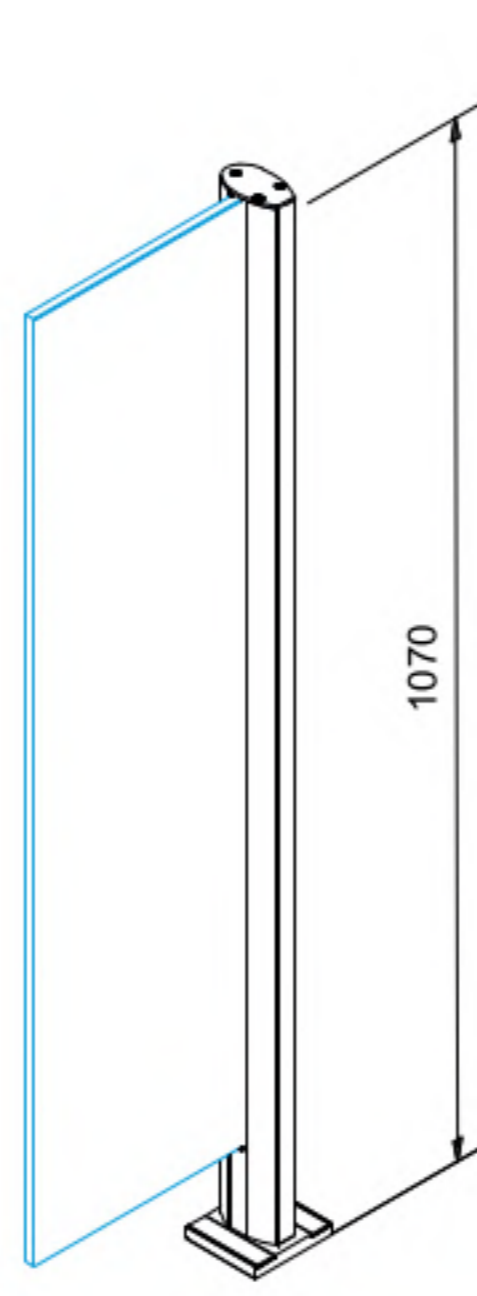
quality	finish	mount	Ø	art.	HEIGHT (mm)	VS / BS	VR / BR	..VER	..2G	4G / 4G90	G	HOLDER D12	THREAD Type	ROUND handrail					
AISI304	satin	TOP MOUNT	D42	A-VR90-2GR	900		•		•				M8	•					
				A-VR90-2GL	900		•		•					M8	•				
				A-VR90-4G	900		•		•						M8	•			
				A-VR90-4G90	900		•		•						M8	•			
				A-VR100-6M5	1000		•			•						M5	•	new	
				A-VER-VR100	952		•			•	•							new	
				A-VER-VR100-L	952		•			•	•							new	
				A-PVD-VER-VR100	952		•			•	•							new	
				A-VR100-G	1000		•			•					•		M8	•	
				A-VR100-2GR	1000		•			•		•					M8	•	
	A-VR100-2GL	1000		•			•		•					M8	•				
	A-VR100-2GL	1100		•			•		•					M8	•				
	A-VR100-4G	1000		•			•				•			M8	•	top			
	A-VR100-4G90	1000		•			•				•			M8	•				
	A-VR100-4G	1100		•			•				•			M8	•				
	A-VR100-2G-250P	1000		•			•		•					M8	•	new			
	A-VR100-4G-250P	1000		•			•		•					M8	•	new			
	A-VR100-4G90-250P	1000		•			•		•					M8	•	new			
	A-VR110-2GR	1100		•			•		•					M8	•				
	A-VR110-2GL	1100		•			•		•					M8	•				
	A-VR110-4G	1100		•			•				•			M8	•				
	A-VR110-4G90	1100		•			•				•			M8	•				
	A-VR90-4D12	900		•			•						4x	M5	•	top			
	A-VR90-4D12	1000		•			•						4x	M5	•	top			
	A-VR90-4D12-L	900		•			•						4x	M5*	•				
	A-VR90-4D12-L	1000		•			•						4x	M5*	•				
	A-VR100-5D12	1000		•			•						5x	M5	•	top			
	A-VR100-5D12-B	1000		•			•						5x	M5	•				
	A-PVD-VR100-5D12	1000		•			•						5x	M5	•	new			
	A-VR100-5D12	1100		•			•						5x	M5	•	top			
A-VR100-5D12-L	1000		•			•						5x	M5*	•					
A-VR100-5D12-L	1100		•			•						5x	M5*	•					
A-VR100-5D12-PVC	884		•			•						5x		•					
A-VR100-6D12	1000		•			•						6x	M5	•	new				
A-VR100-6D12	1100		•			•						6x	M5	•	new				
A14-VR100-5D12	1000		•			•						5x	M5	•					
A14-VR100-5D12	1100		•			•						5x	M5	•					
WB-VR100-5D12	1000		•			•						5x	5x35	•					
WB-VR100-5D12	1100		•			•						5x	5x35	•					
WB-VR100-5D12	1000		•			•		•						•	new				
WB-VR100-5D12	1100		•			•		•						•	new				
A-VER-BR100	1128		•			•		•						•	new				
A-VER-BR100-L	1128		•			•		•						•	new				
A-BR100-2GR	1000		•			•			•				M8	•					
A-BS100-2GR	1100		•			•			•				M8	•					
A-BR100-2GL	1000		•			•			•				M8	•					
A-BS100-2GL	1100		•			•			•				M8	•					
A-BR100-4G	1000		•			•				•			M8	•					
A-BS100-4G	1100		•			•				•			M8	•					
A-BR100-4G90-IN	1000		•			•				•			M8	•					
A-BR100-4G90-OUT	1000		•			•				•			M8	•					
A-BR100-2GR-250P	1000		•			•		•					M8	•					
A-BR100-2GL-250P	1000		•			•		•					M8	•					
A-BR100-4G-250P	1000		•			•				•			M8	•					
A-BR100-4G90-IN-250P	1000		•			•				•			M8	•	new				
A-BR100-4G90-OUT-250P	1000		•			•				•			M8	•	new				
A-BR90-4D12	900		•			•						4x	M5	•	top				
A-BS90-4D12	1000		•			•						4x	M5	•	top				
A-BS90-4D12-L	900		•			•						4x	M5*	•					
A-BS90-4D12-L	1000		•			•						4x	M5*	•					
A-BR100-5D12	1000		•			•						5x	M5	•	top				
A-PVD-BR100-5D12	1000		•			•						5x	M5	•	new				
A-BS100-5D12	1100		•			•						5x	M5	•	top				
A-BR100-6D12	1000		•			•						6x	M5	•	new				
A-BS100-6D12	1100		•			•						6x	M5	•	new				
A-BR100-5D12-PVC	885		•			•						5x		•					
A14-BR100-5D12	1000		•			•						5x	M5	•					
A14-BS100-5D12	1100		•			•						5x	M5	•					
A-VER-BR100-FLEX	1128		•			•		•						•					
A-BX100-5xM5	1150		•			•			•				M5	•	new				



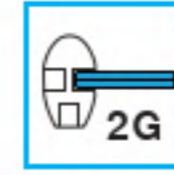
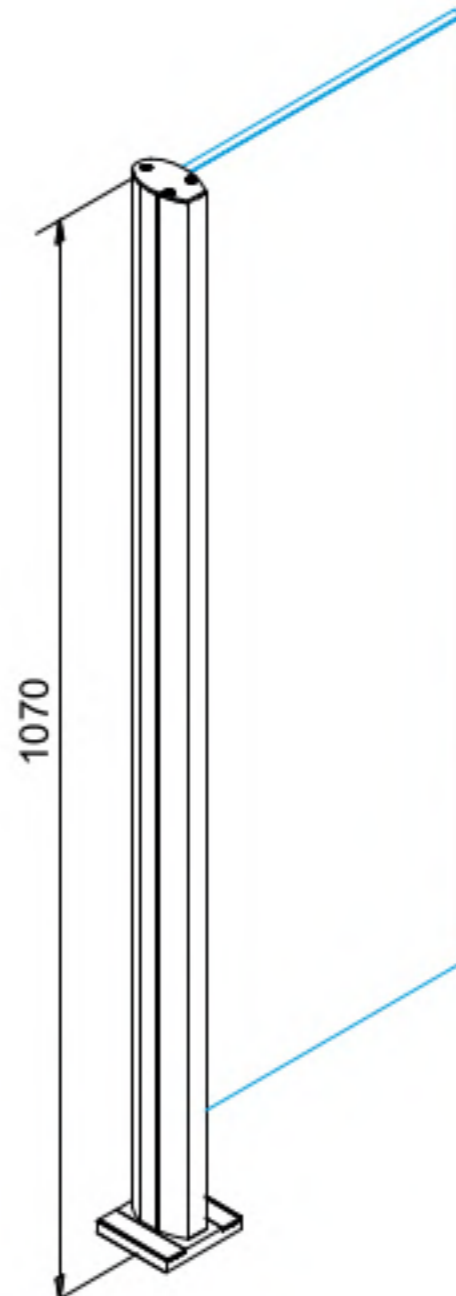
2G



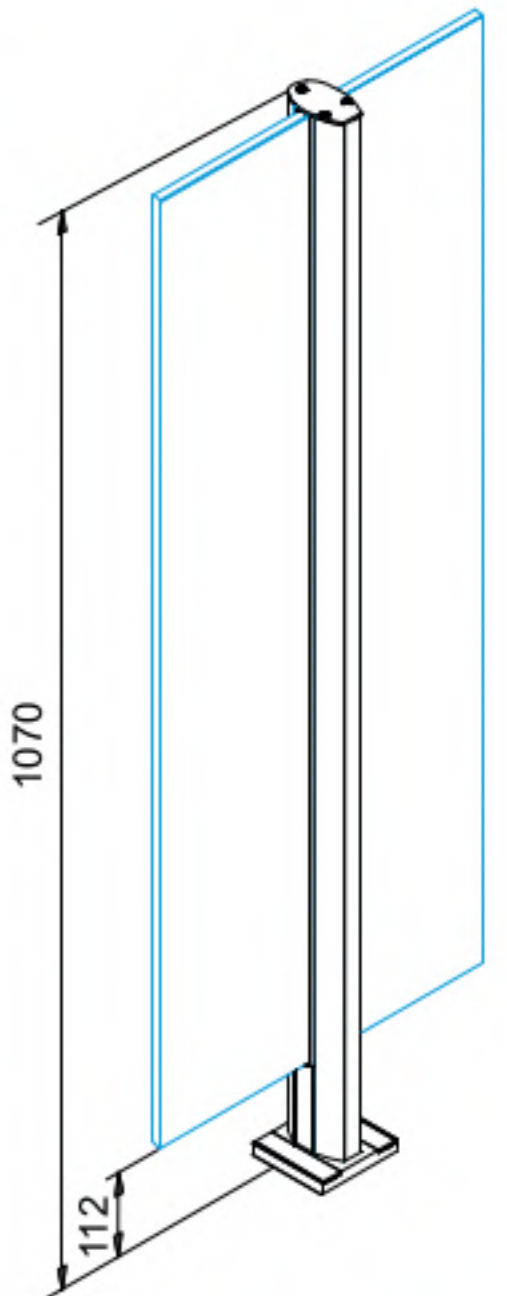
4G



VR



VR



VR

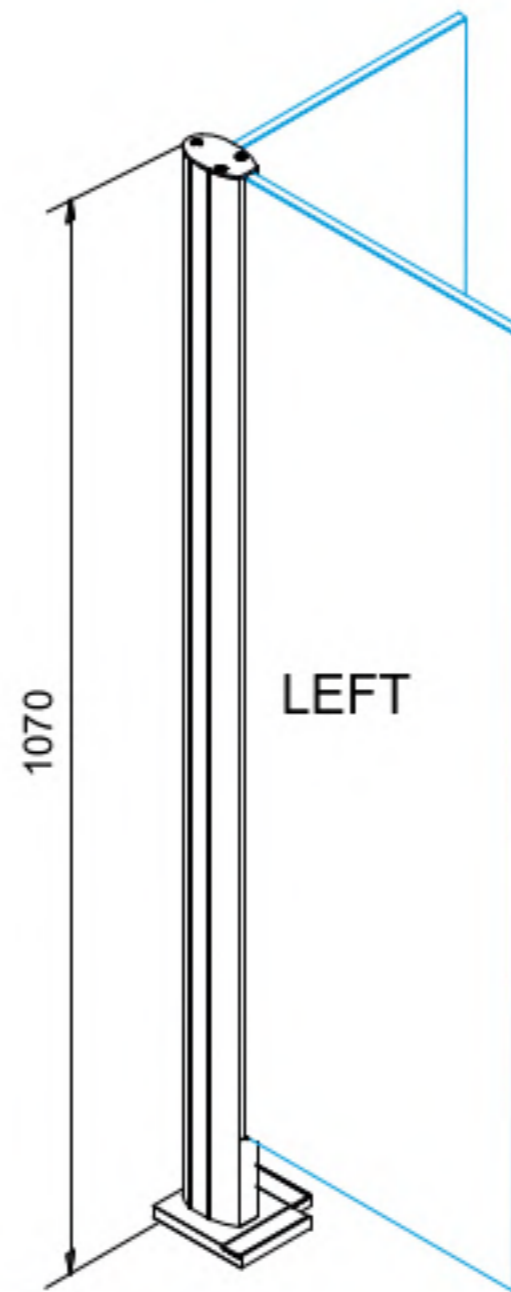
Quality	Finish	Effect	glass t	art.
ALUMINIUM	polish	black	11,52	AL-VR107-2G
				AL-VR107-4G



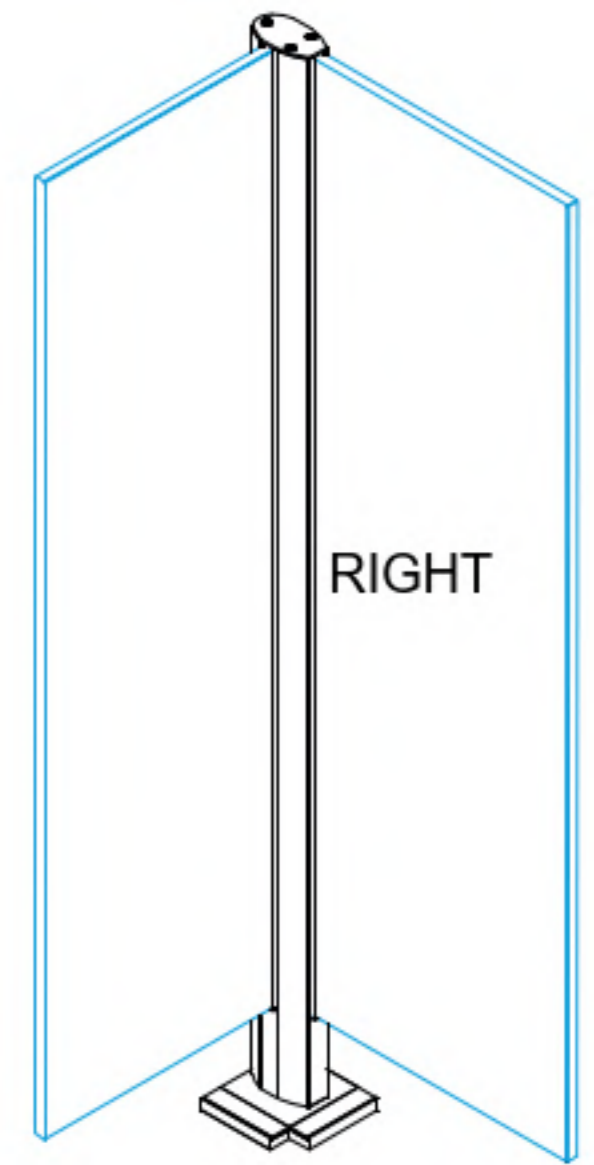
4GL90



4GR90



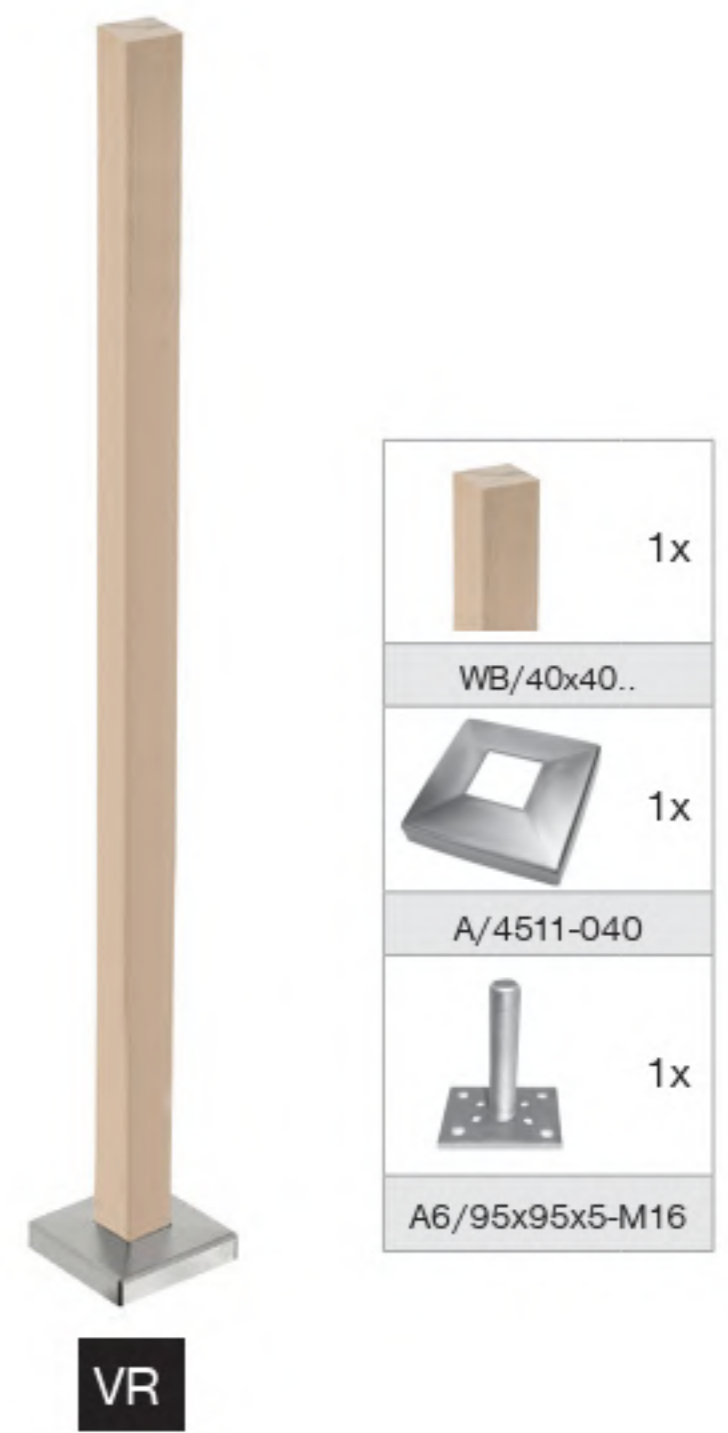
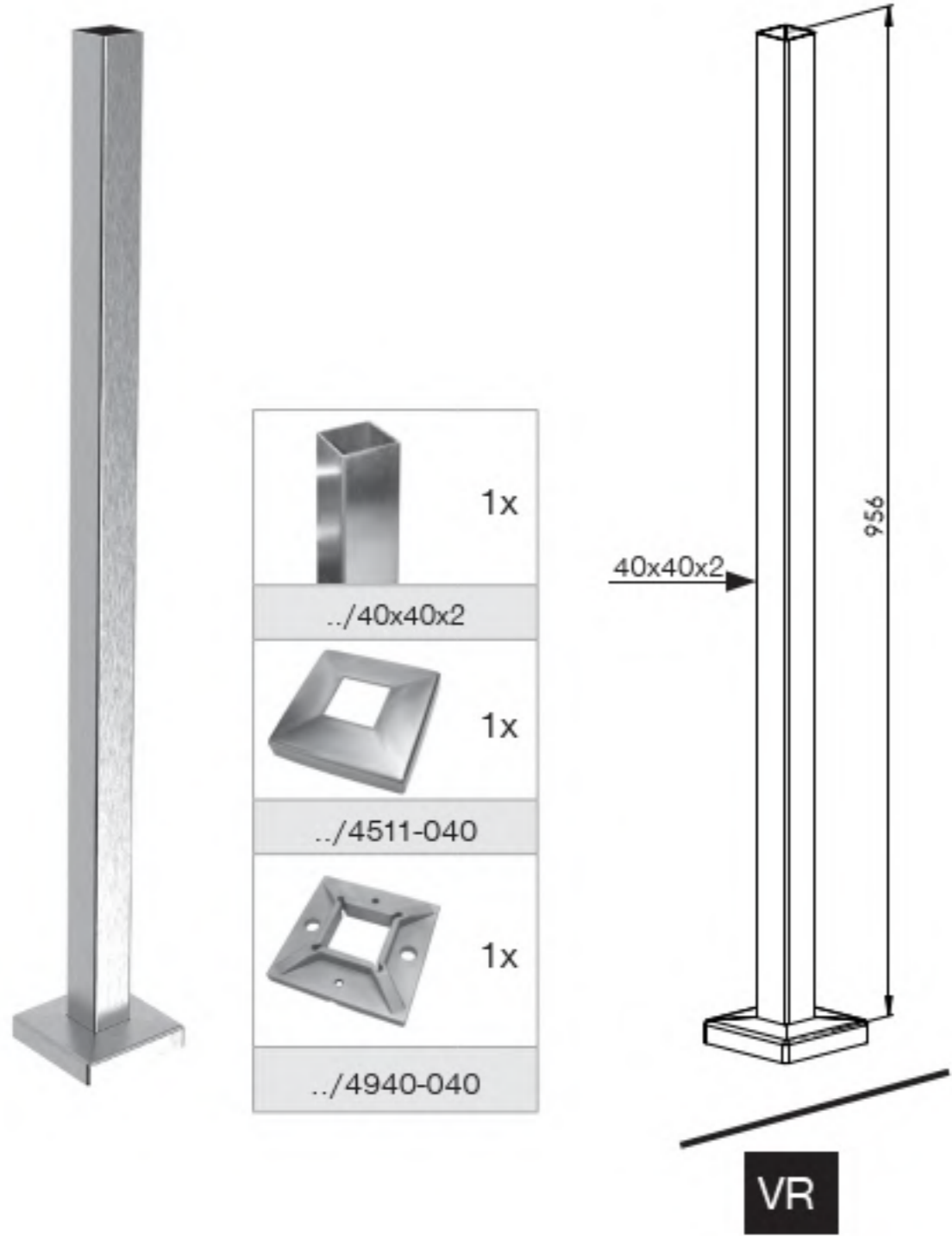
VR



VR

Quality	Finish	Effect	glass t	art.
ALUMINIUM	polish	black	11,52	AL-VR107-4GL90
				AL-VR107-4GR90

MODEL SQUARE 40x40

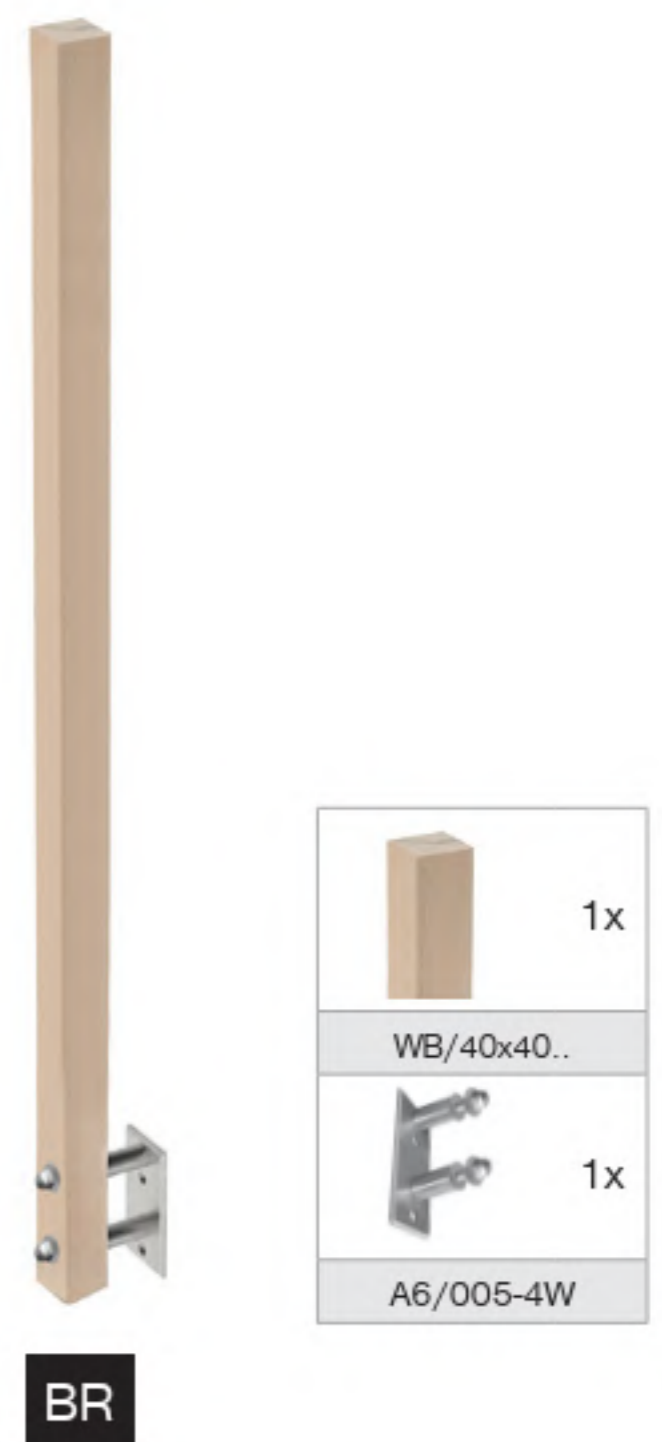
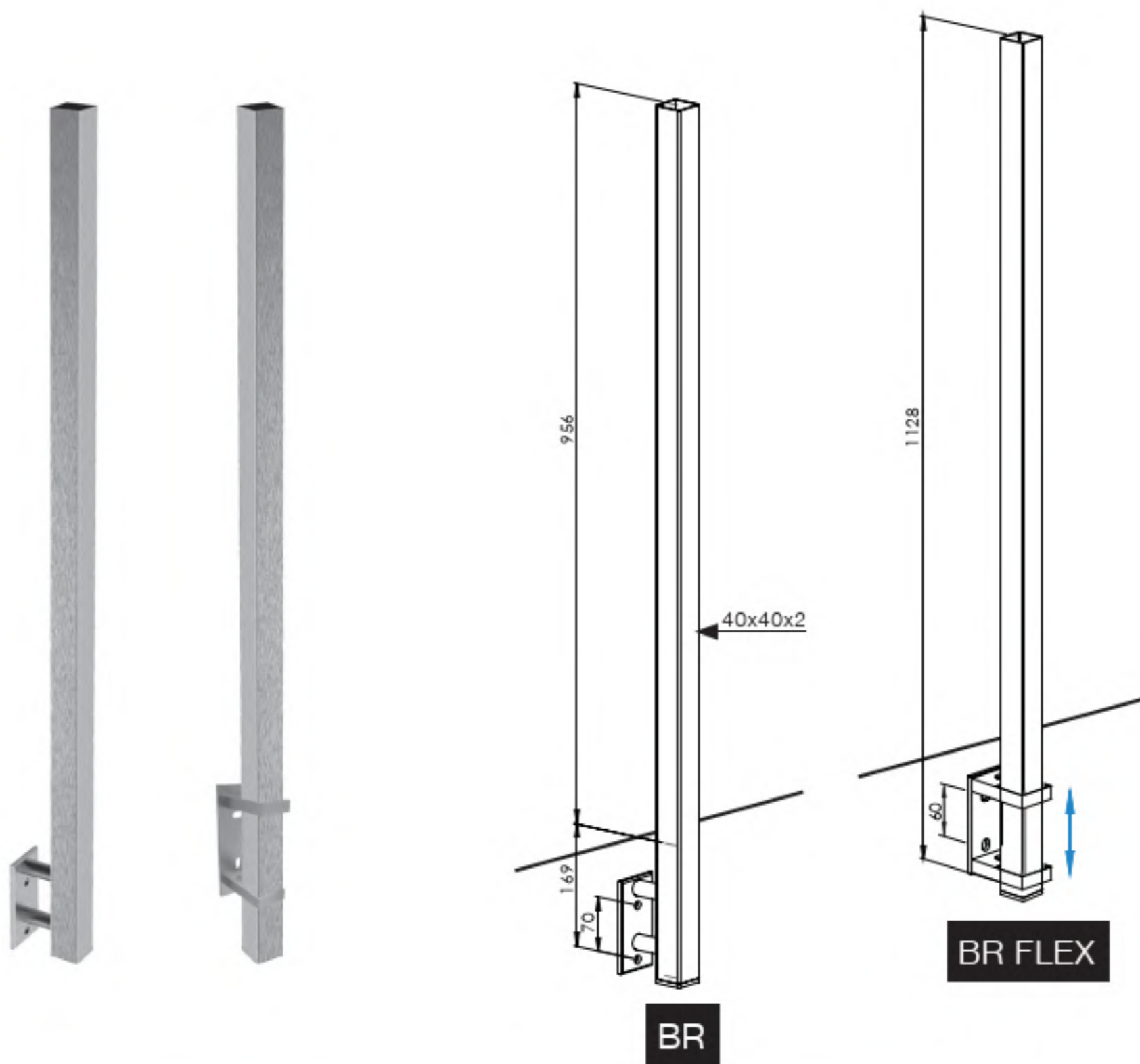


Quality	Finish	D	art.
AISI304	satin	40x40x2	AJP-VER-VR100
AISI316			AJP14-VER-VR100

new

Quality	Finish	D	art.
Beech	natural	40x40	WBJP-VER-VR100

new



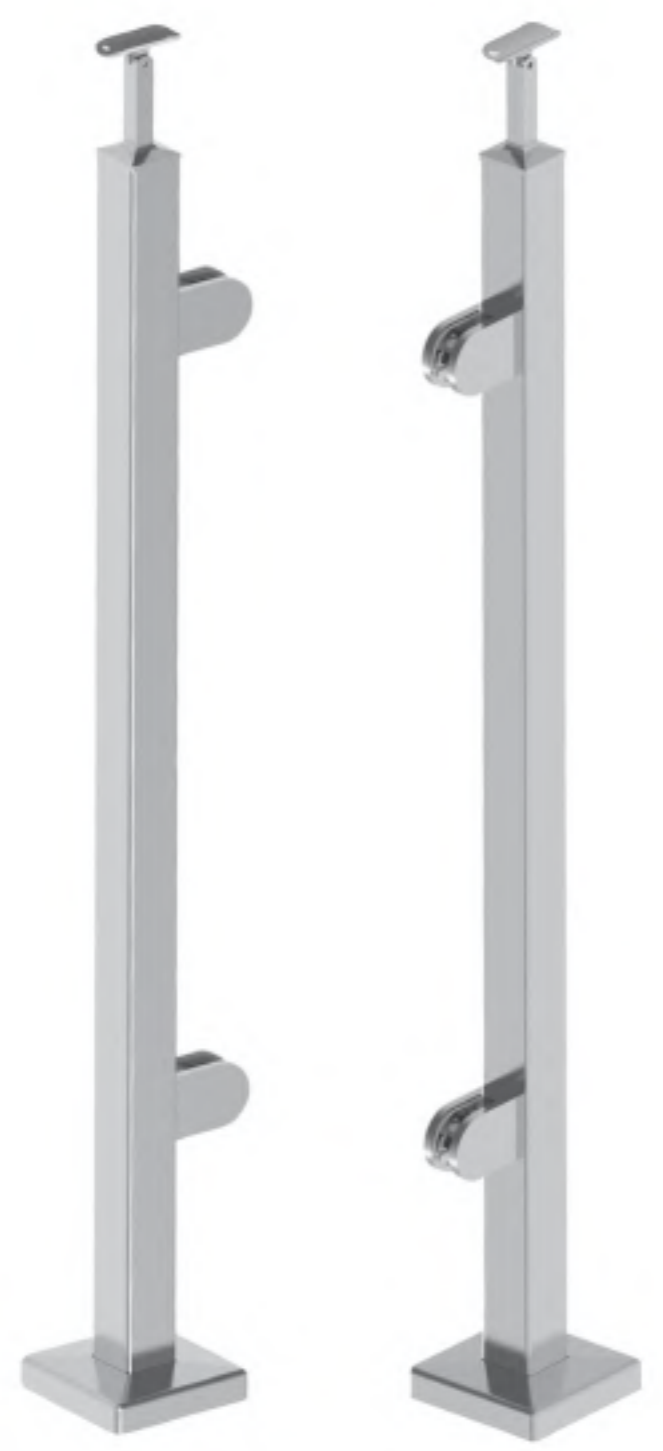
Quality	Finish	art.	\square 40x40x2	\square 005-4	\square 40-120x50	\square 4732-040
AISI304	satin	AJP-VER-BR100	1x	1x	1x	1x
AISI316		AJP14-VER-BR100				
AISI304		AJP-VER-BR100-FLEX				

new

Quality	Finish	D	art.
Beech	natural	40x40	WBJP-VER-BR100





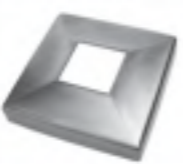

new

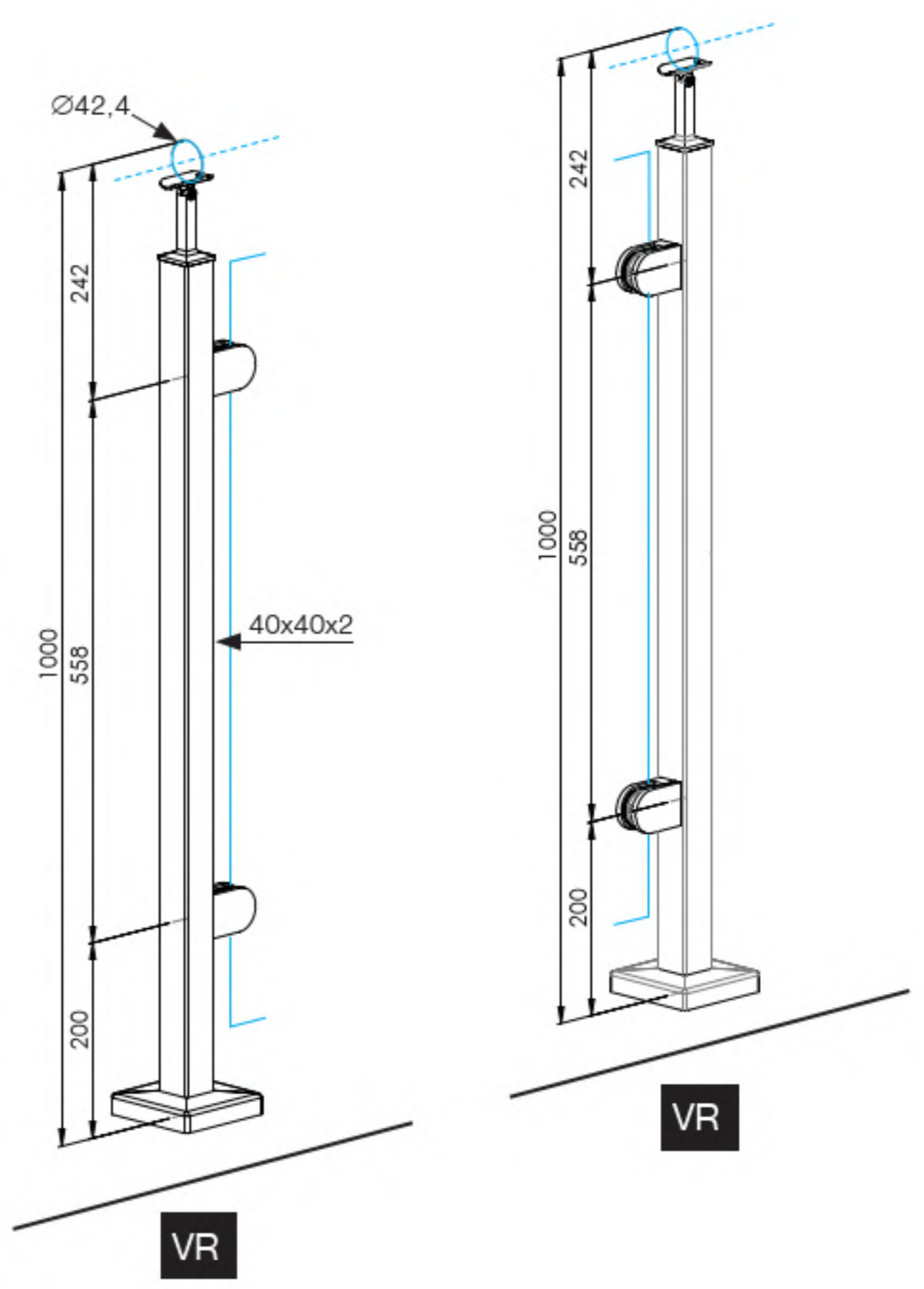
MODEL SQUARE 40x40



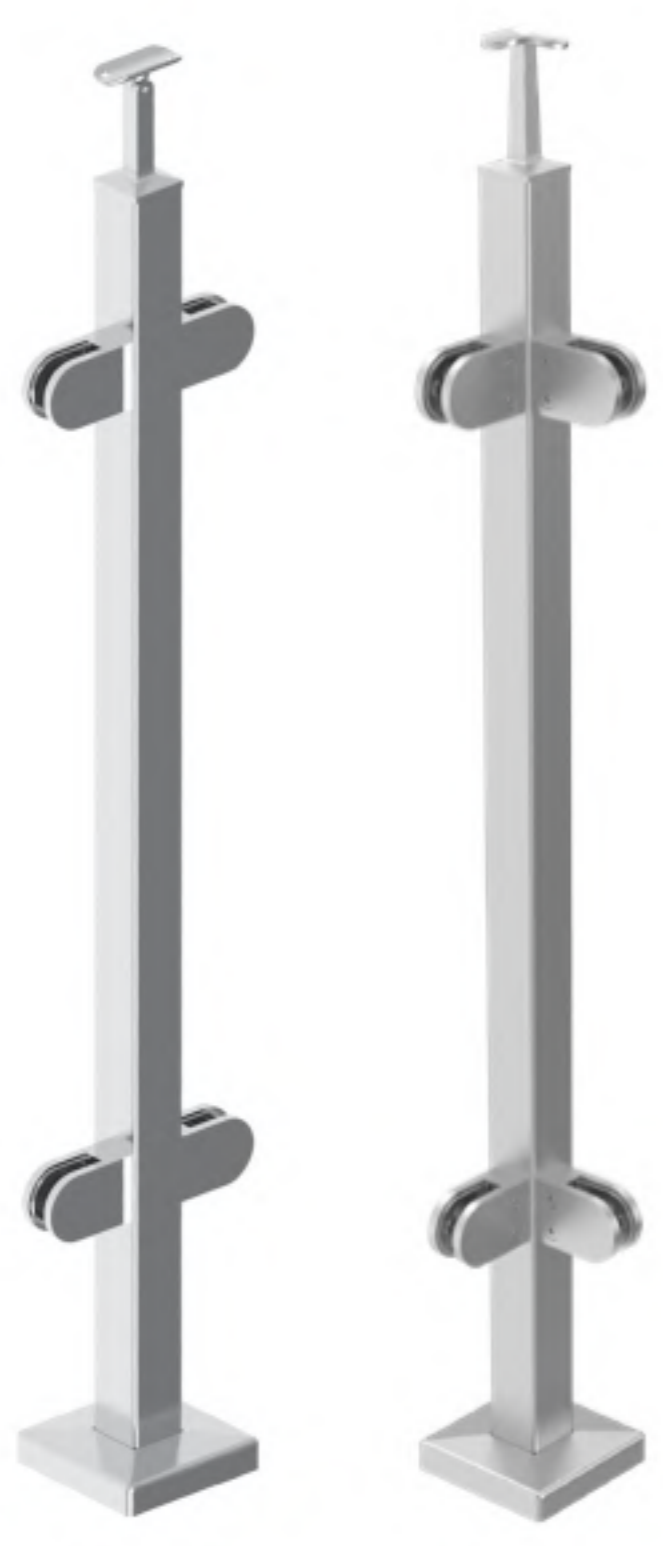
GR

GL

-  1x
A/4718-042
-  2x
A/2200-000
-  4x
A19/22-009
-  1x
A/40x40x2
-  1x
A/4511-040
-  1x
A/4940-040









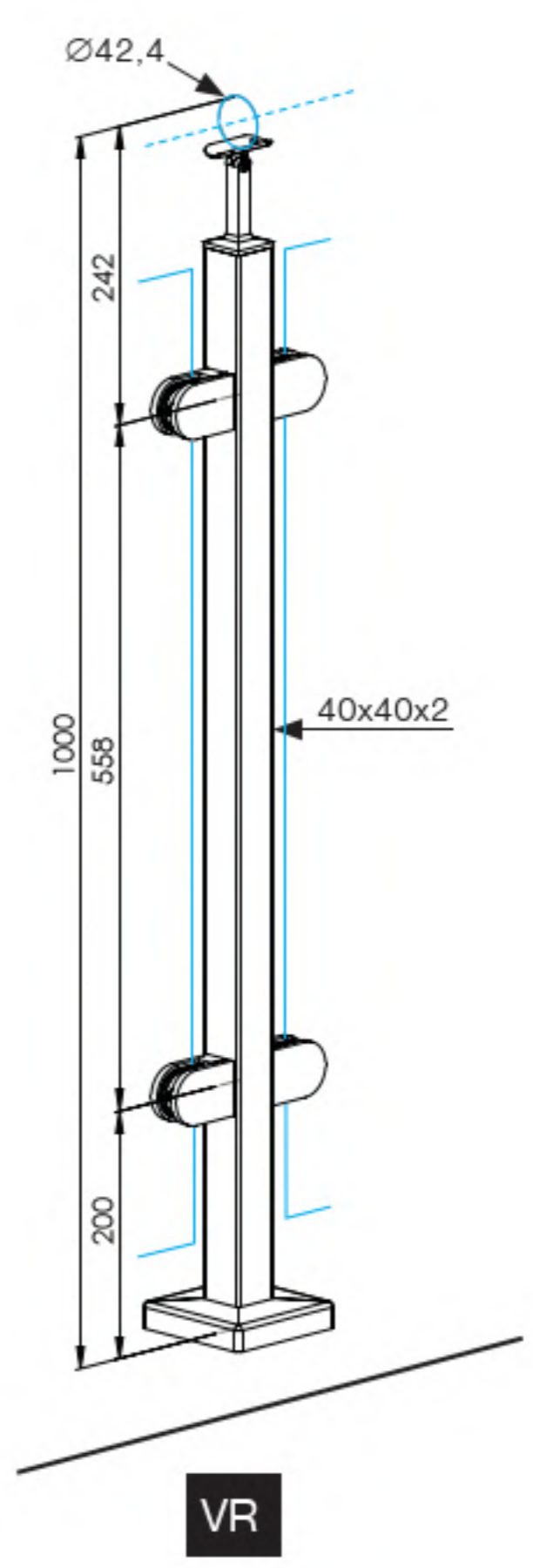
Quality	Finish	glass t	art.
AISI304	satın	8,76	AJP-VR100-2GR
			AJP-VR100-2GL



4G

4G90

-  1x
A/471...
-  4x
A/2200-000
-  8x
A19/22-009
-  1x
A/40x40x2
-  1x
A/4511-040
-  1x
A/4940-040



Quality	Finish	glass t	art.
AISI304	satın	8,76	AJP-VR100-4G
			AJP-VR100-4G90

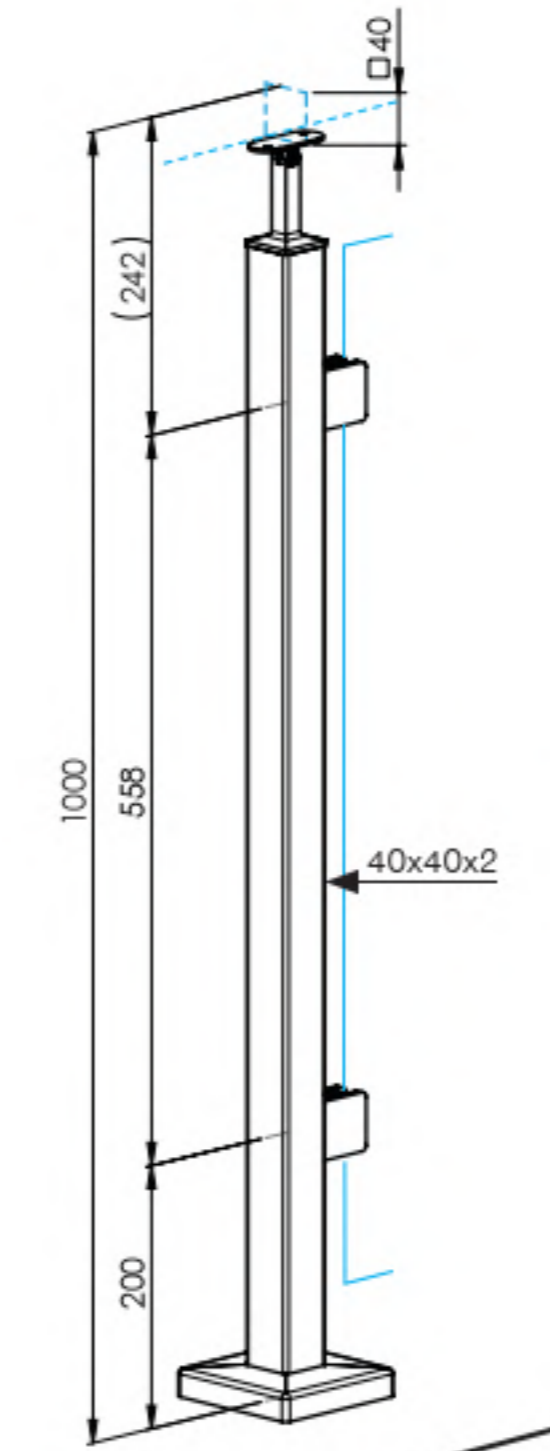
new



GR

GL

	1x
A/4718-000-B	
	2x
A/2300-000	
	4x
A19/23-P09/K11	
	1x
A/40x40x2	
	1x
A/4511-040	
	1x
A/4940-040	



VR

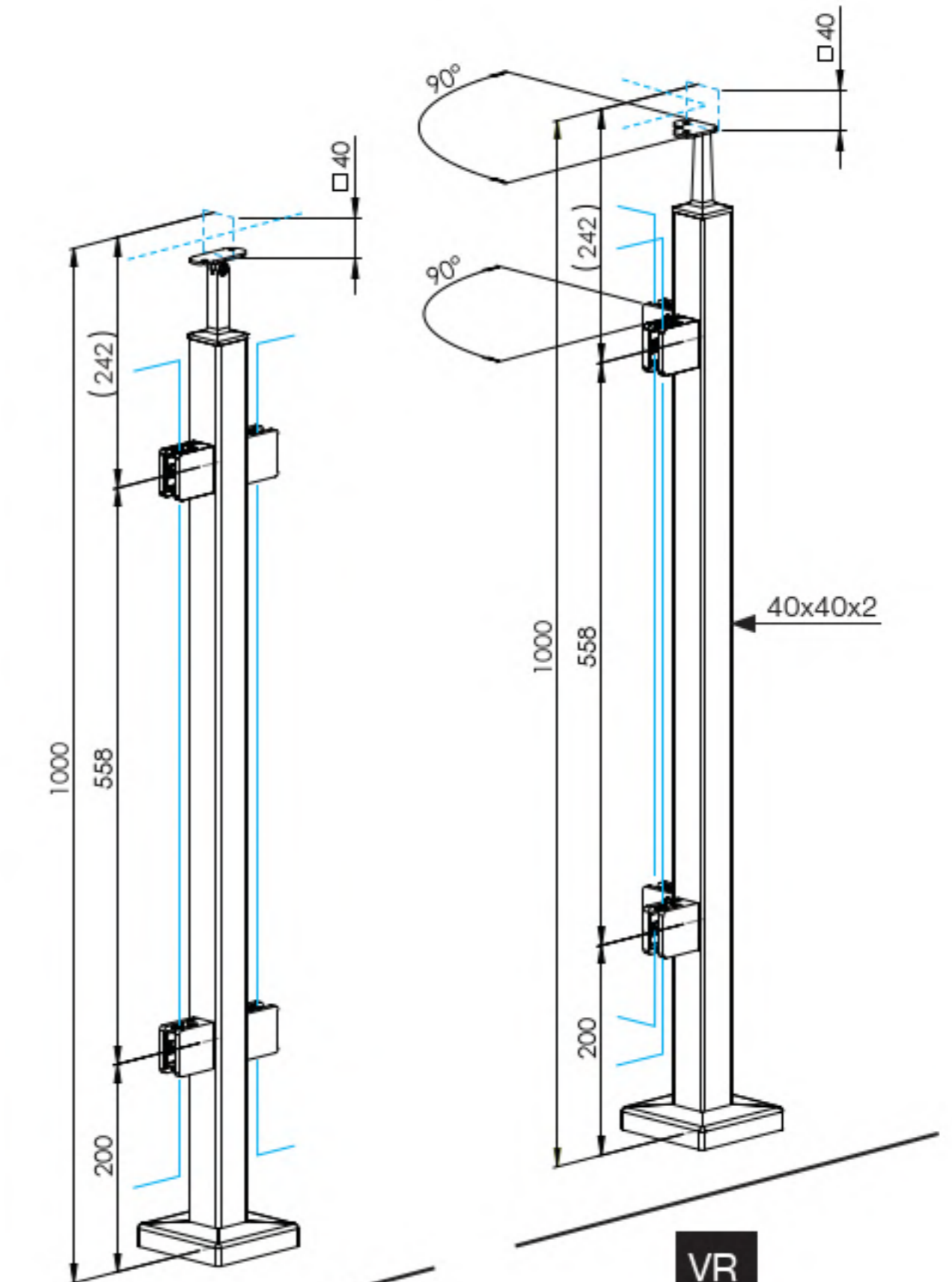
Quality	Finish	glass t	art.
AISI304	satín	8,76	AJP-VR100-2GR-230
			AJP-VR100-2GL-230



4G

4G90

	1x
A/4718-000-B	
	4x
A/2300-000	
	8x
A19/23-P09/K11	
	1x
A/40x40x2	
	1x
A/4511-040	
	1x
A/4940-040	






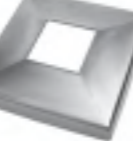

VR

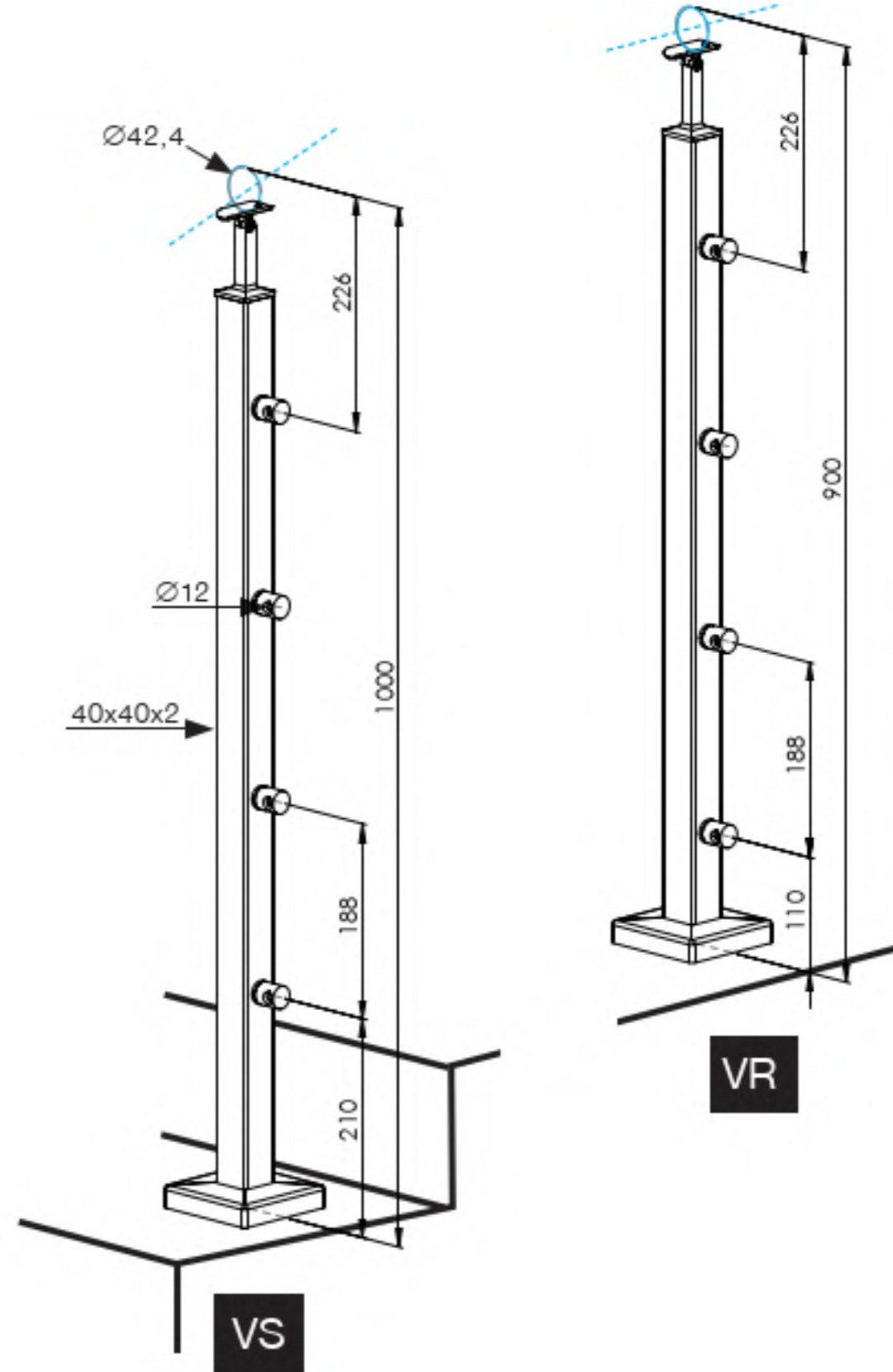
VR

Quality	Finish	glass t	art.
AISI304	satín	8,76	AJP-VR100-4G-230
			AJP-VR100-4G90-230

MODEL SQUARE 40x40








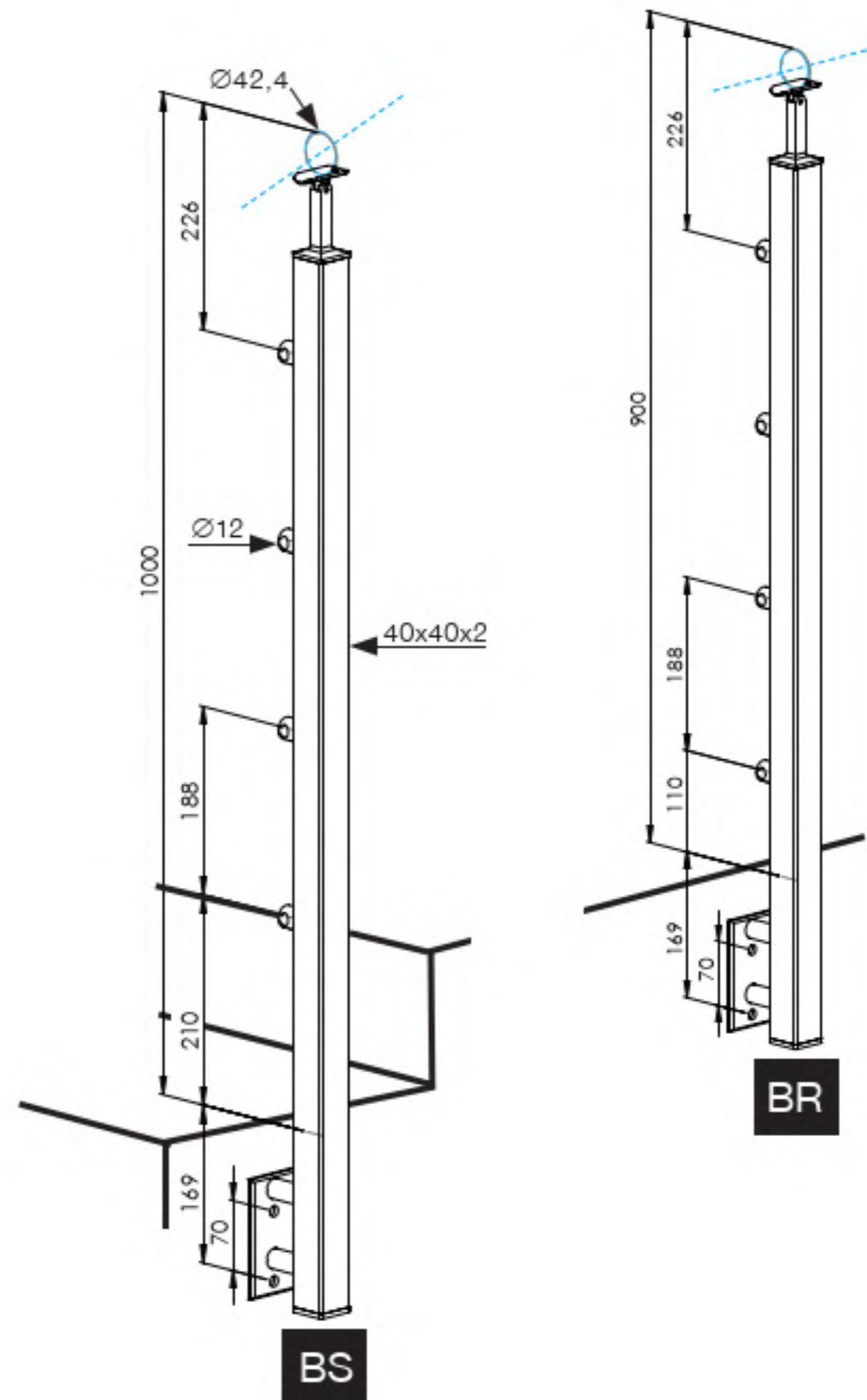
	1x
A/4718-042	
	4x
A/0830-000	
	1x
A/40x40x2	
	1x
A/4511-040	
	1x
A/4940-040	



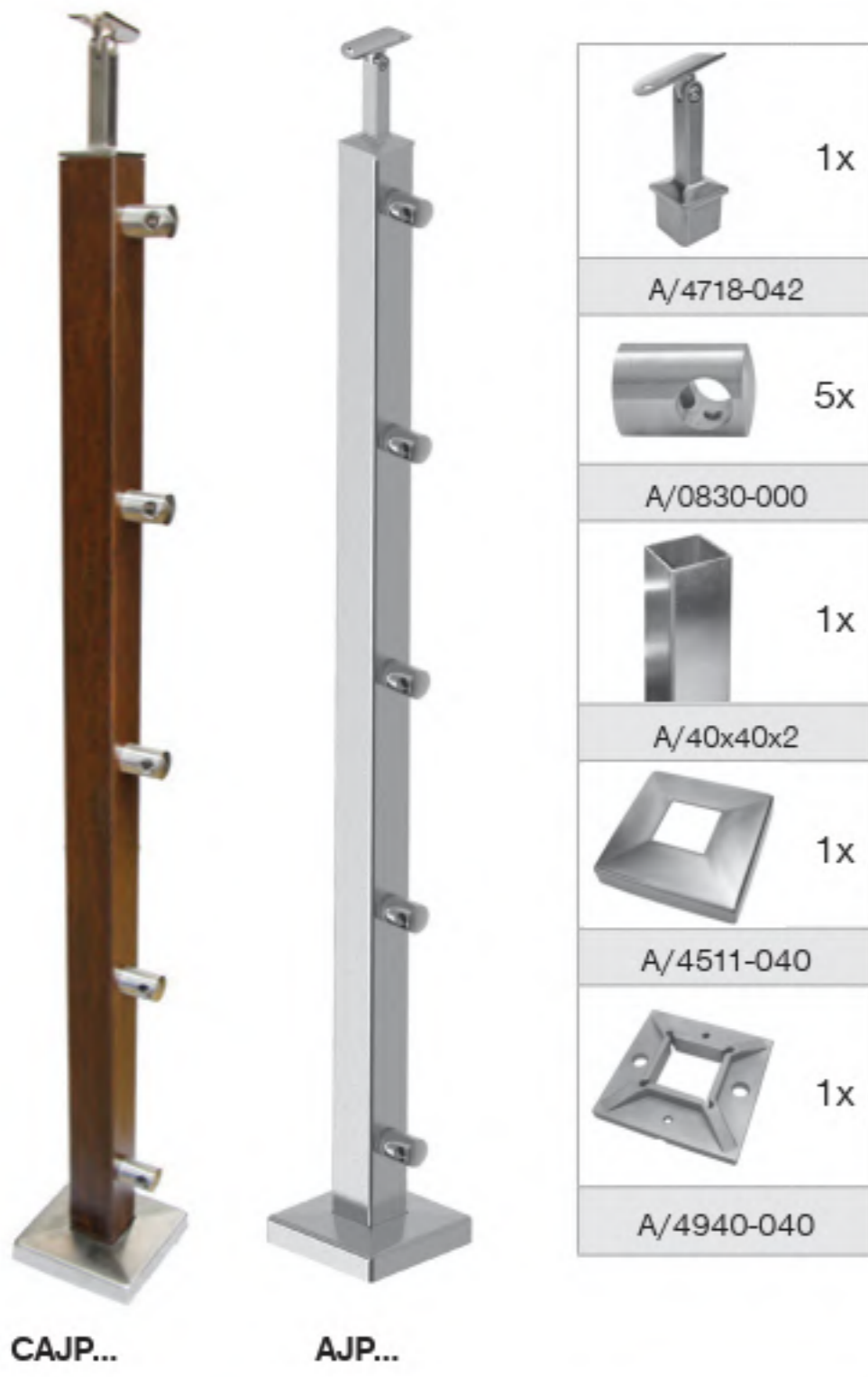
Quality	Finish	art.
AISI304	satın	AJP-VR90-4D12
		AJP-VS90-4D12



	1x
A/4718-042	
	4x
A/0830-000	
	1x
A/40x40x2	
	1x
A6/005-4	
	1x
A/4732-040	



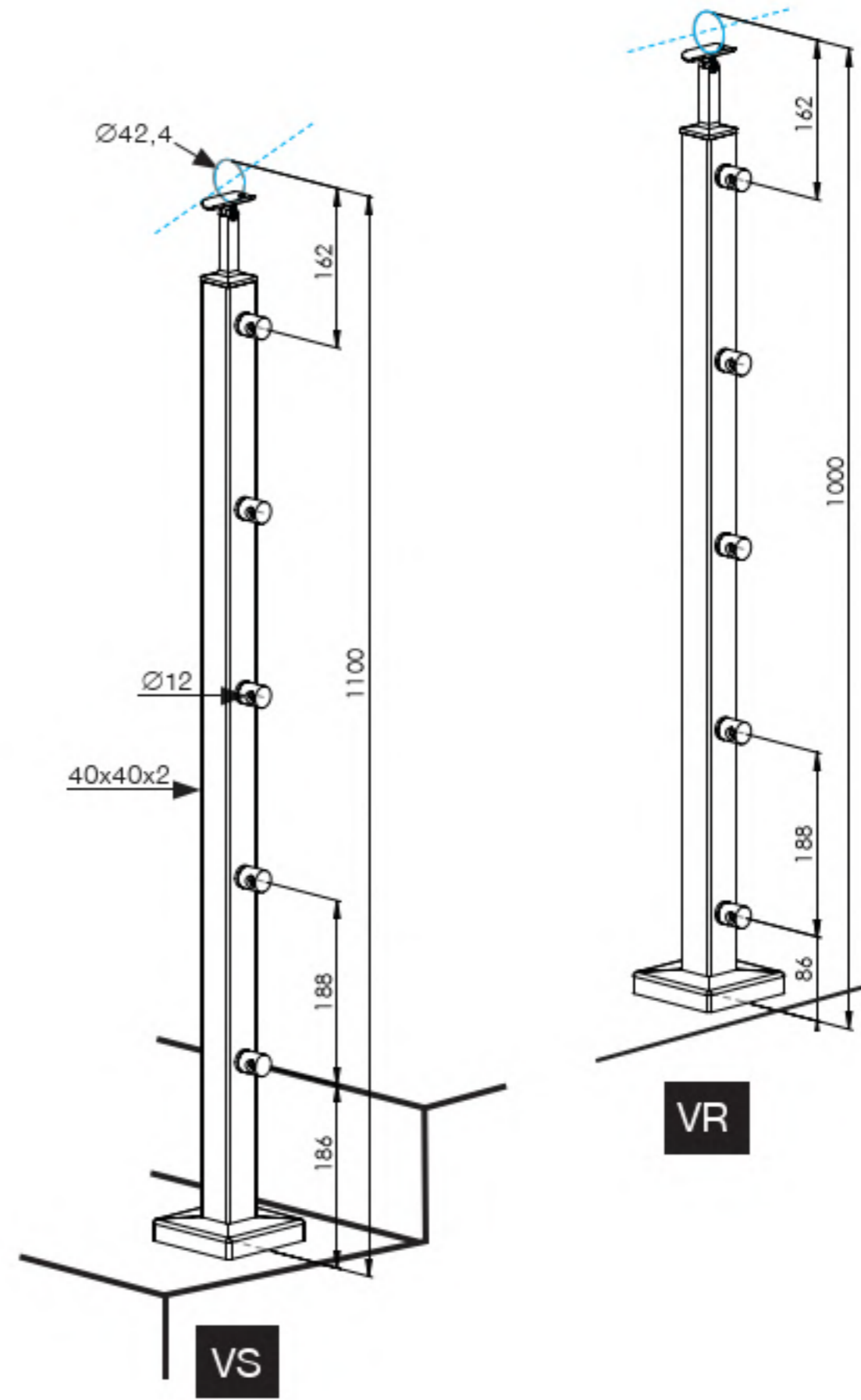
Quality	Finish	art.
AISI304	satın	AJP-BR90-4D12
		AJP-BS90-4D12



CAJP...

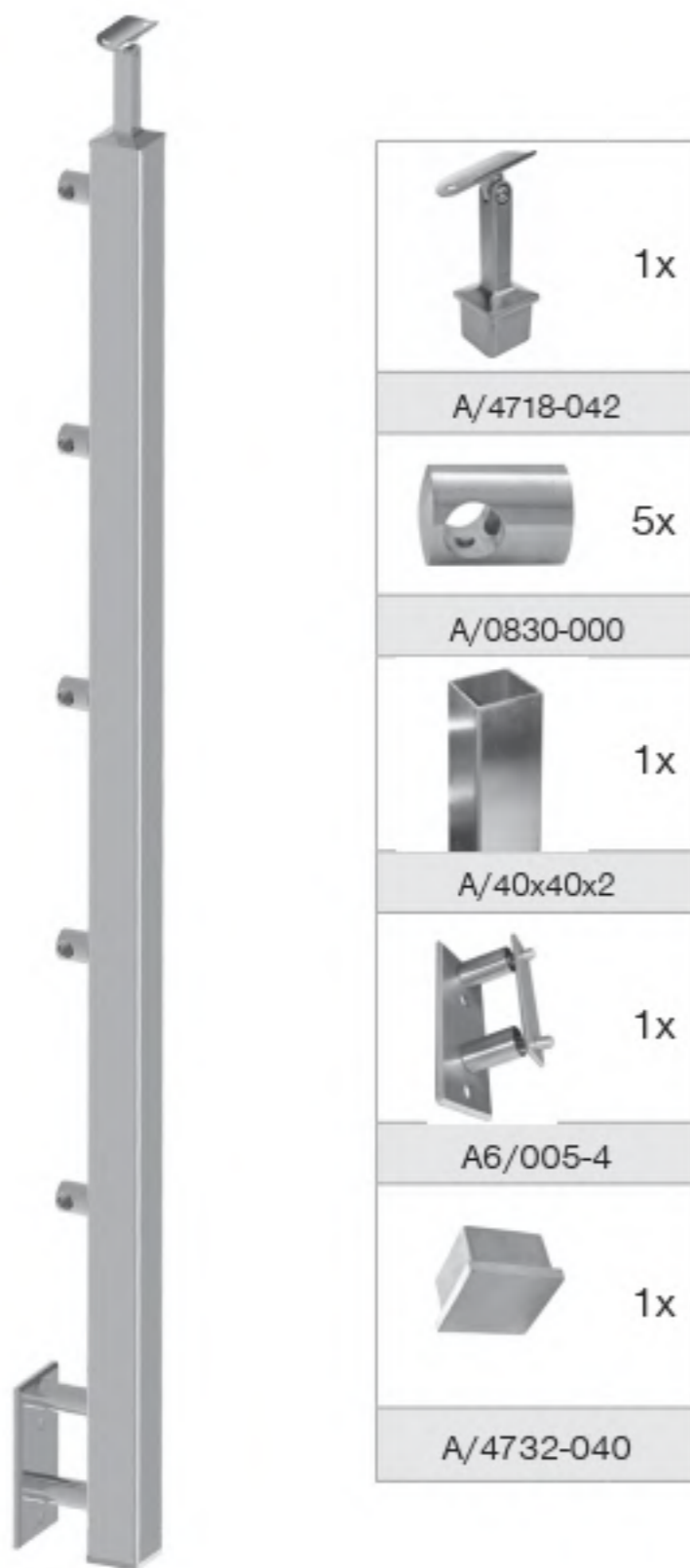
AJP...

Quality	Finish	art.
AISI304	satın	AJP-VR100-5D12
CORTEN	raw	CAJP-VR100-5D12
AISI304	satın	AJP-VS100-5D12
CORTEN	raw	CAJP-VS100-5D12

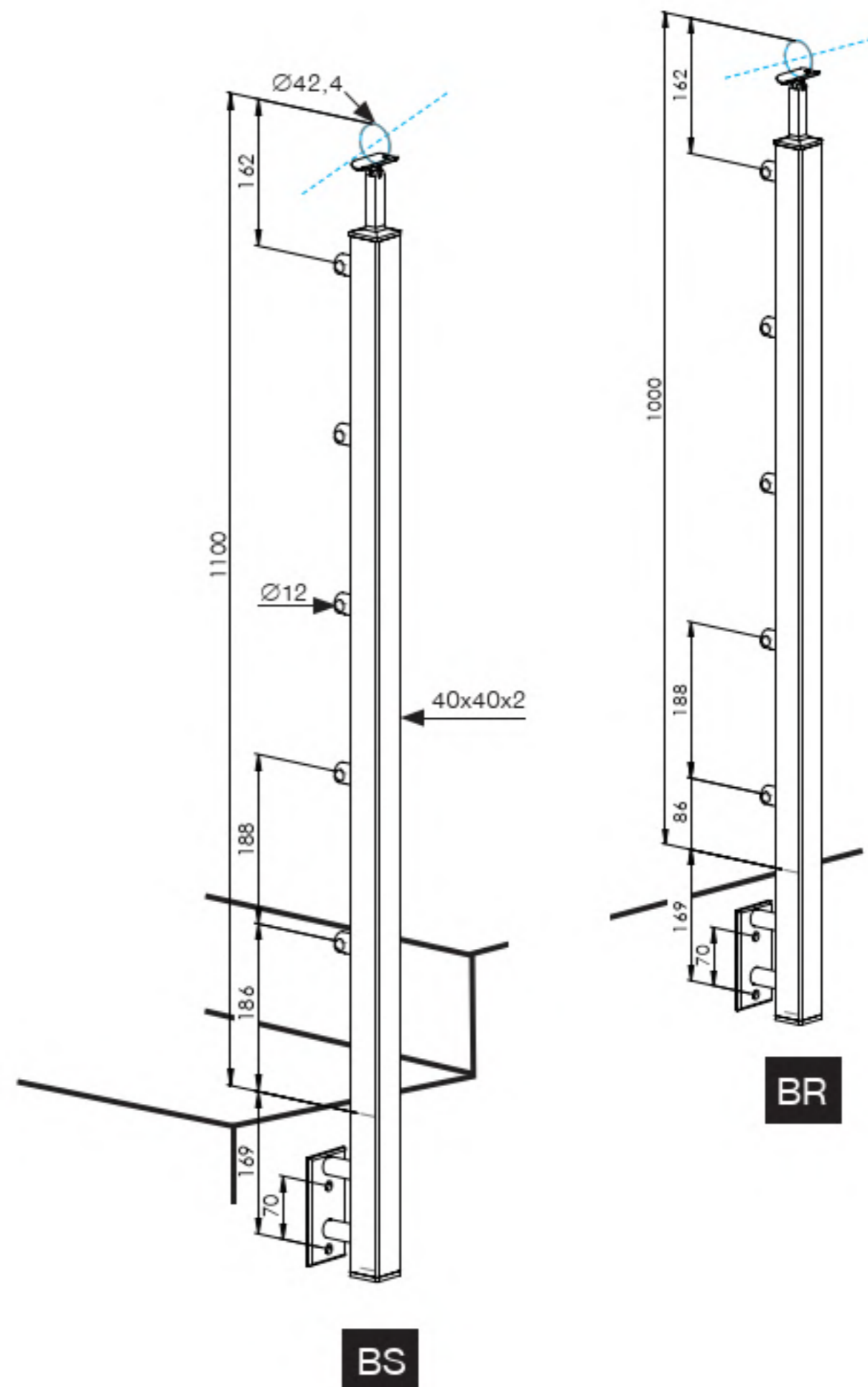


VR

VS



Quality	Finish	art.
AISI304	satın	AJP-BR100-5D12
		AJP-BS100-5D12








BS

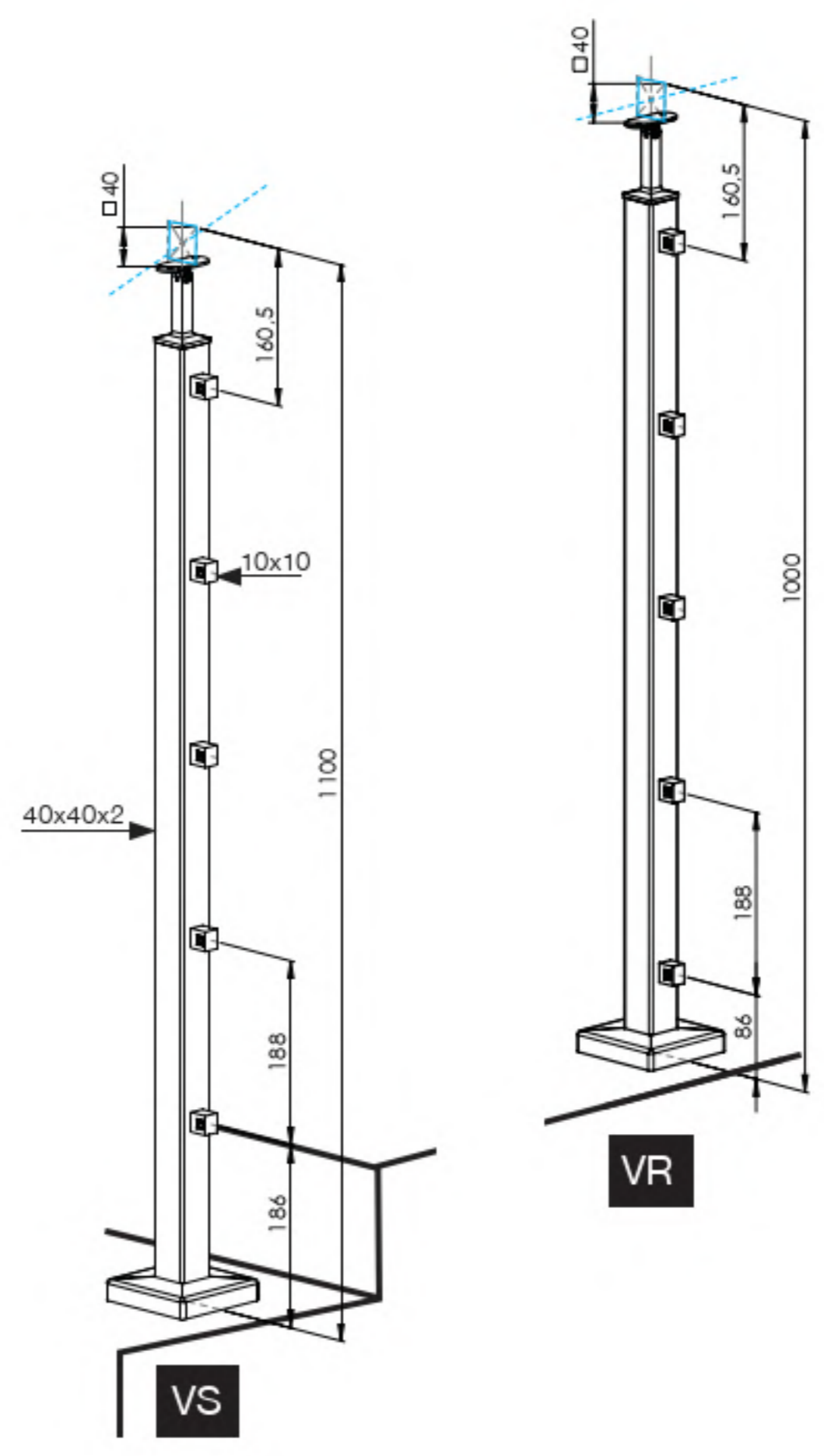
BR






MODEL SQUARE 40x40



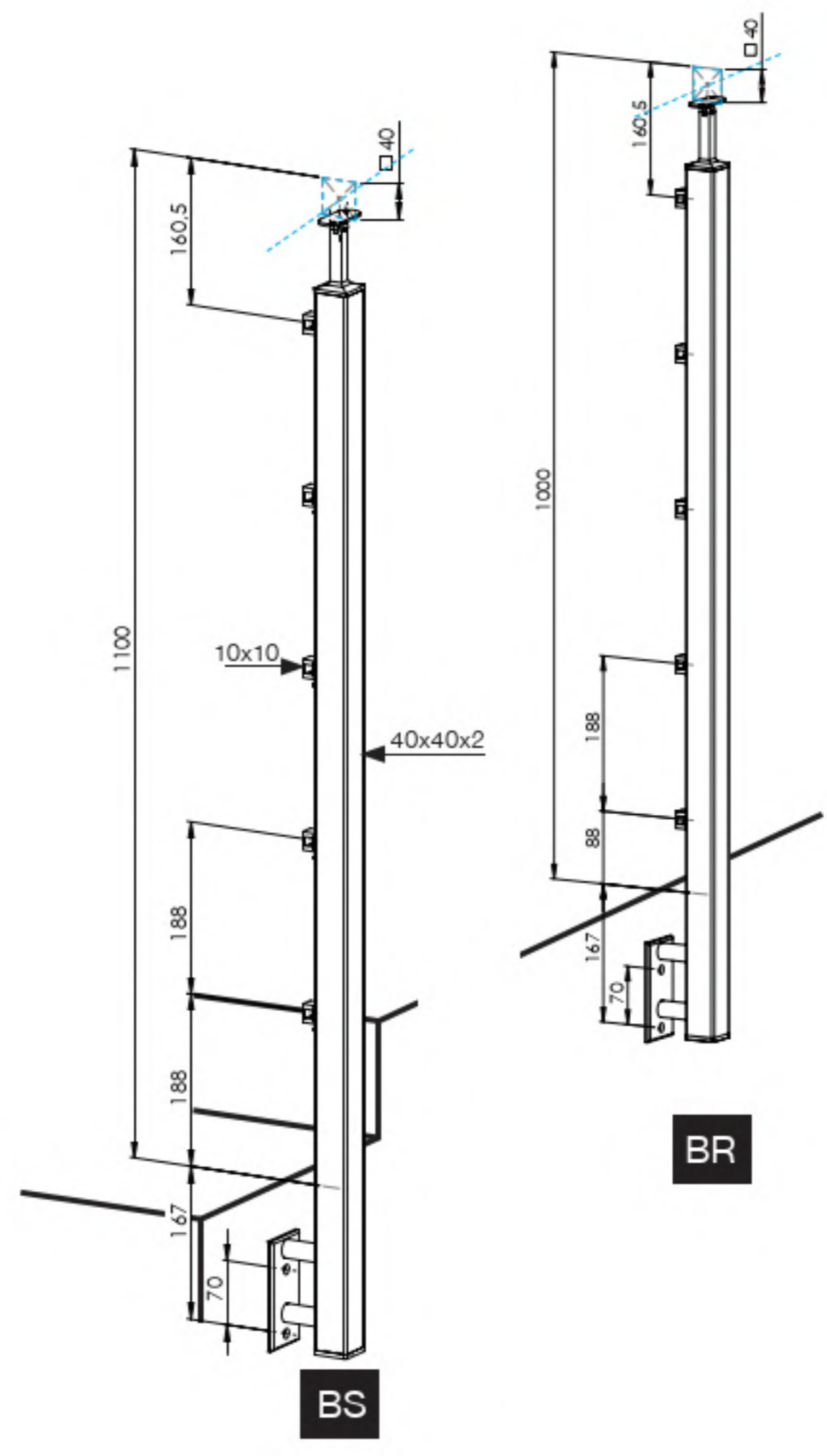
	1x
A/4718-000-B	
	5x
A/4810-000	
	1x
A/40x40x2	
	1x
A/4511-040	
	1x
A/4940-040	

Quality	Finish	art.
satin	satin	AJP-VR100-5JP10
		AJP-VS100-5JP10






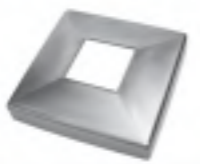

	1x
A/4718-000-B	
	5x
A/4810-000	
	1x
A/40x40x2	
	1x
A6/005-4	
	1x
A/4732-040	

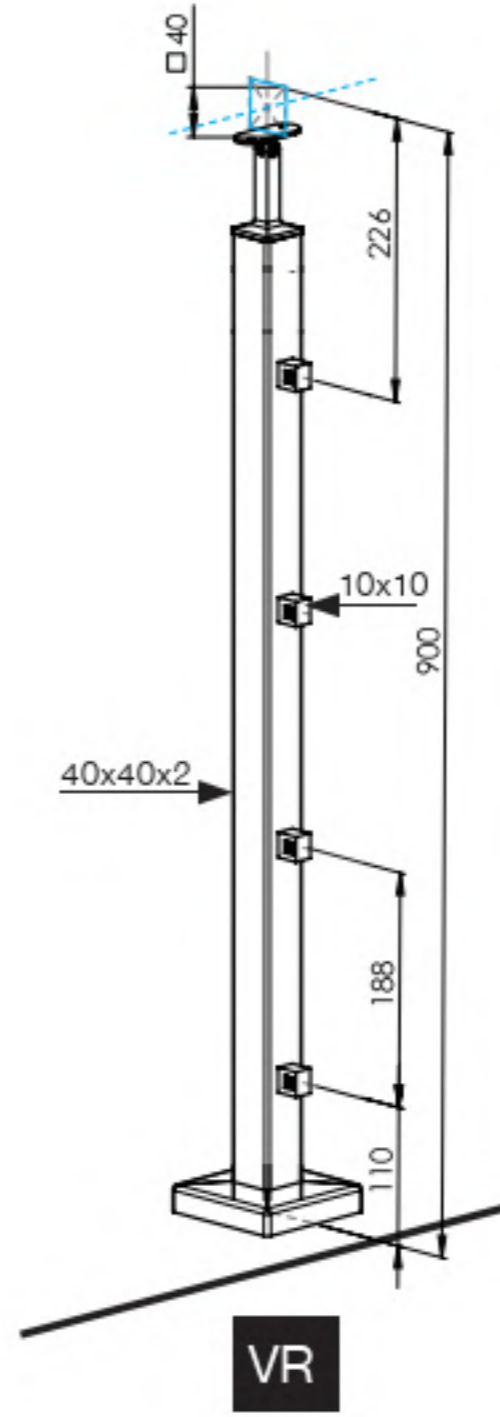
Quality	Finish	art.
satin	satin	AJP-BR100-5JP10
		AJP-BS100-5JP10



MODEL SQUARE 40x40

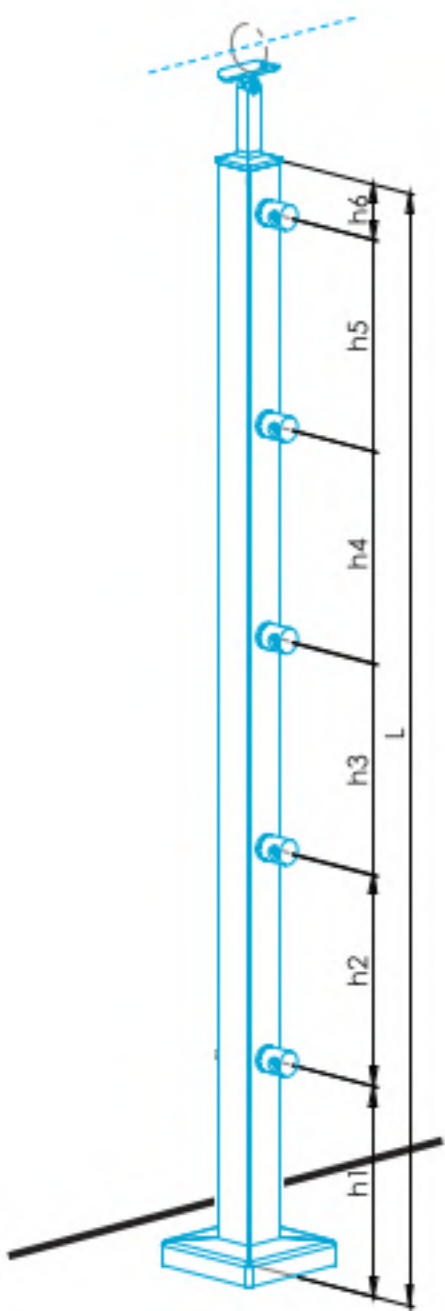


	1x
A/4718-000-B	
	4x
A/4810-000	
	1x
A/40x40x2	
	1x
A/4511-040	
	1x
A/4940-040	

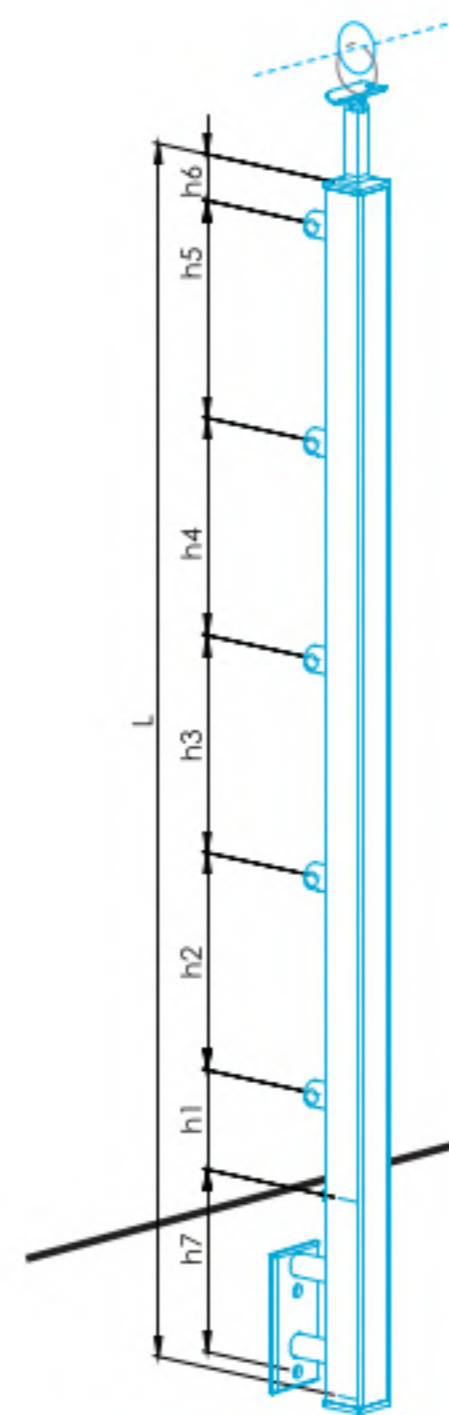


Quality	Finish	art.
AISI304	satín	AJP-VR90-4JP10

MODEL ATYP SQ 40x40



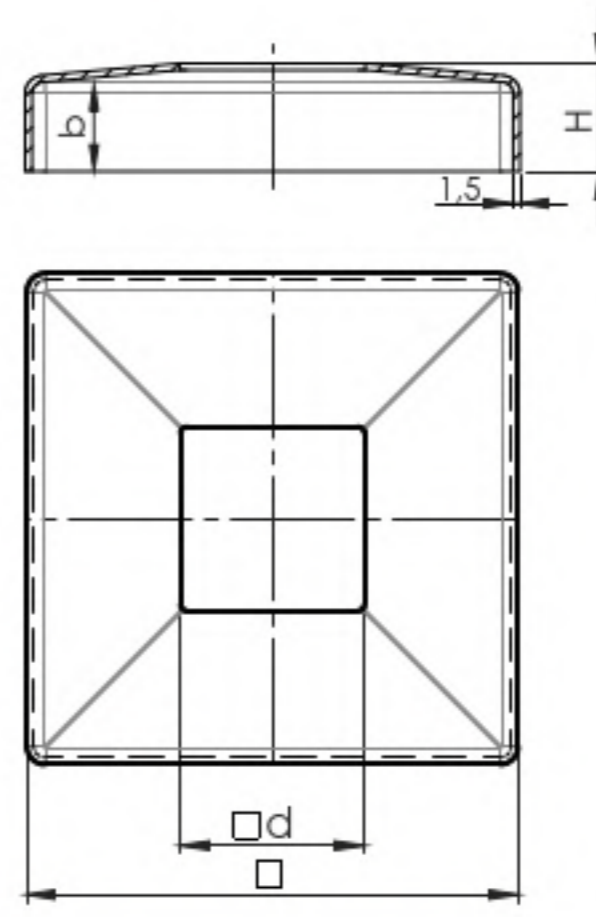
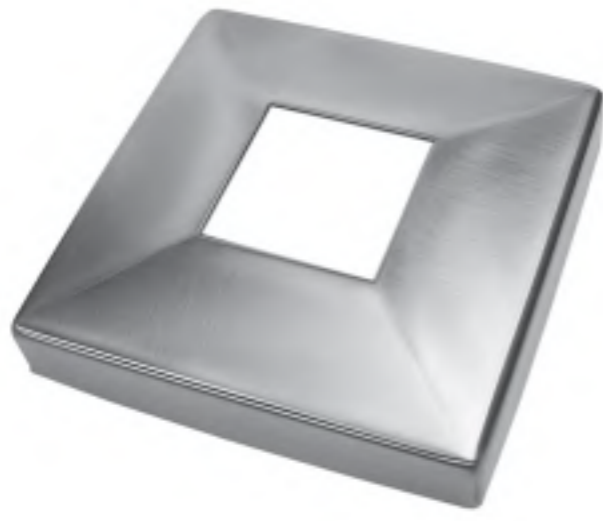
	
	
	
	
	



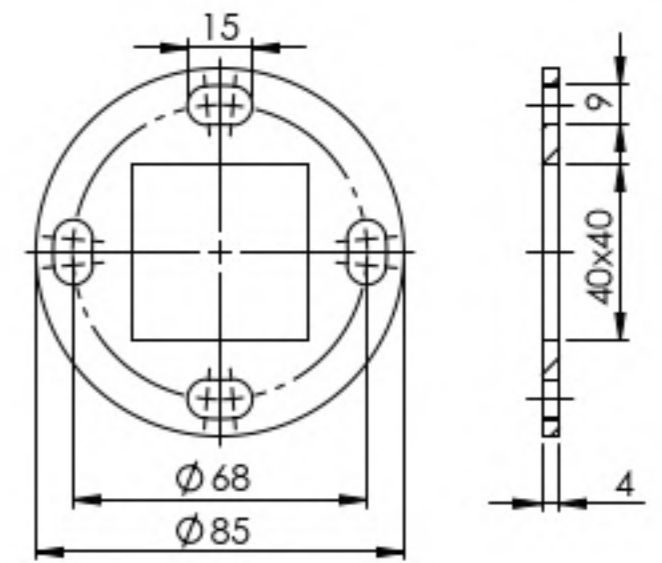
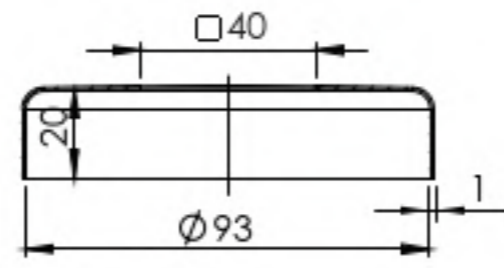
Quality	Finish	∅	art.	L	h1	h2	h3	h4	h5	h6	h7	Pcs
AISI304	satín	40x40x2	ATYP-INOX A/40x40									
AISI316			ATYP-INOX A14/40x40									
Beech	natural	40x40	ATYP-INOX WB/40x40									
Oak			ATYP-INOX WD/40x40									

L=max. 1200mm, max. 7 holes



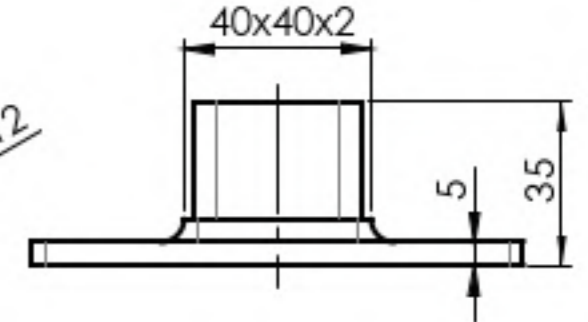
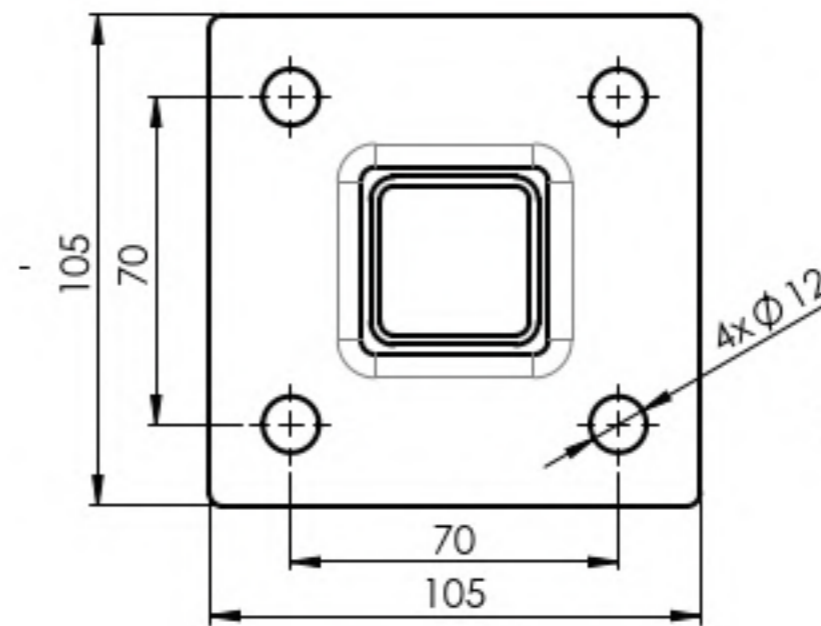
Quality	Finish	art.	□	∅d	b	H
AISI304	satin	A/4511-9340	93x93		17,5	25
		A/4511-9640	96x96	40	14,5	20
		A/4511-040			19,5	25
		A/4511-051	108x108	50	17,5	23
AISI316		A14/4511-040		40	19,5	25

*top
new*

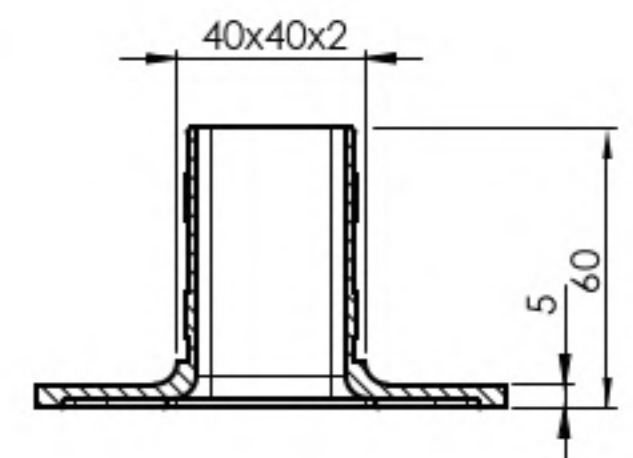
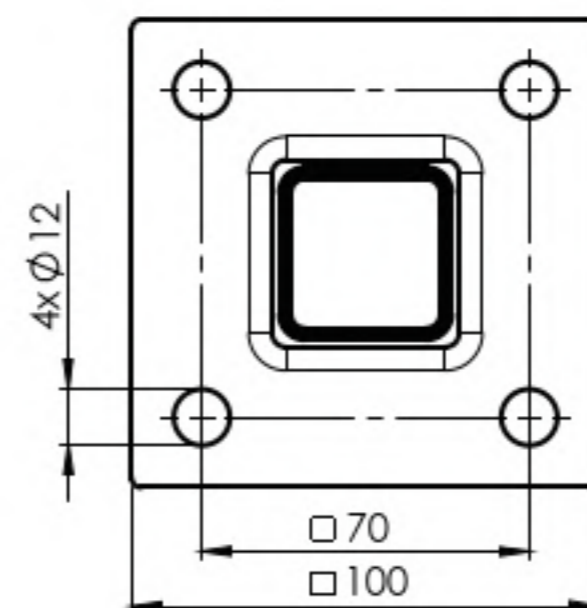
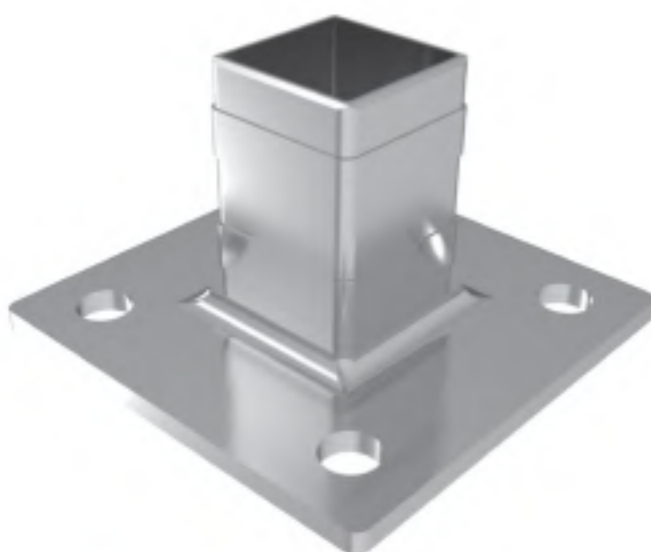


Quality	Finish	art.
AISI304	satin	A/4513-9340

Quality	Finish	art.
AISI304	satin	A/1983-85



Quality	Finish	art.
AISI304	satin	A/4942-040

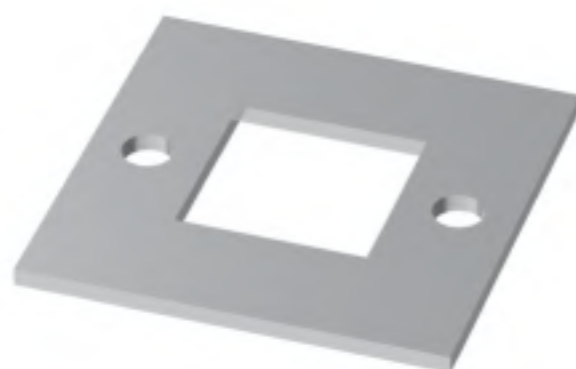
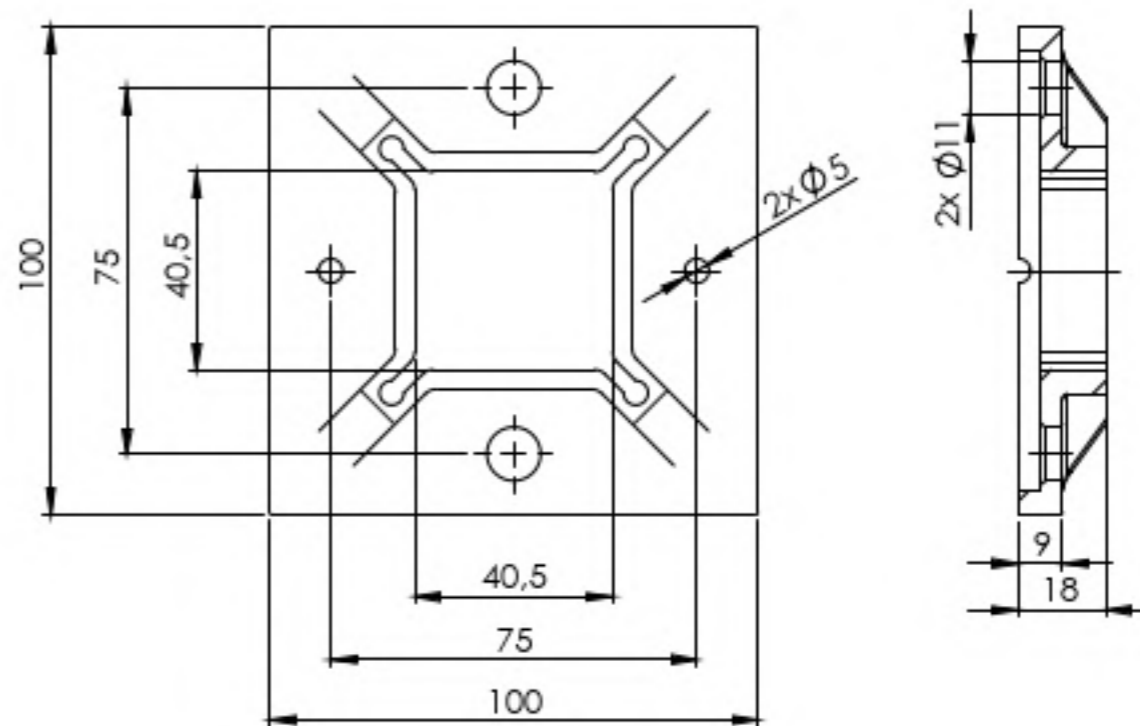


Quality	Finish	art.
AISI304	satin	A/4941-040

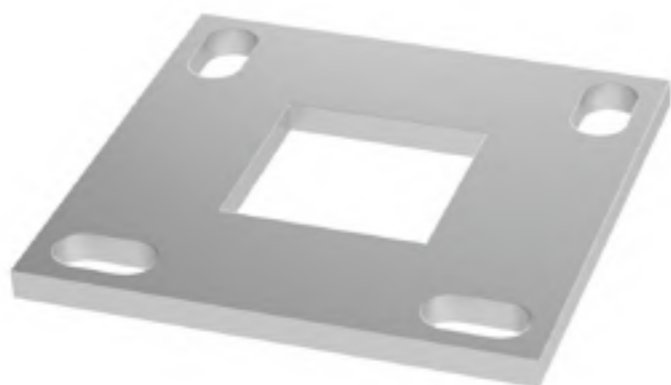
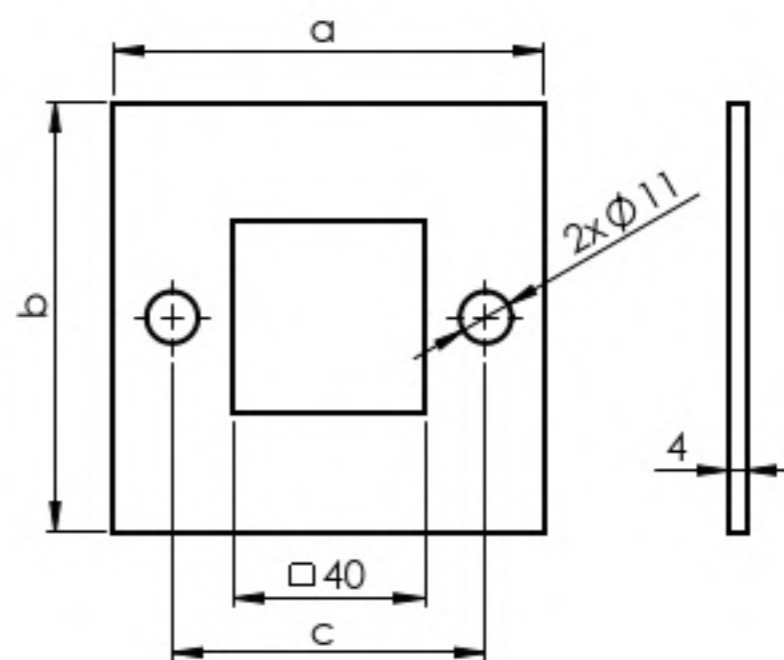


Quality	Finish	art.
AISI304	raw	A/4940-040
AISI316		A14/4940-040

top

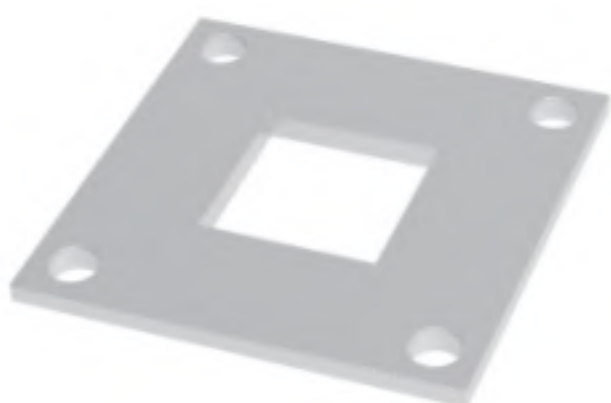
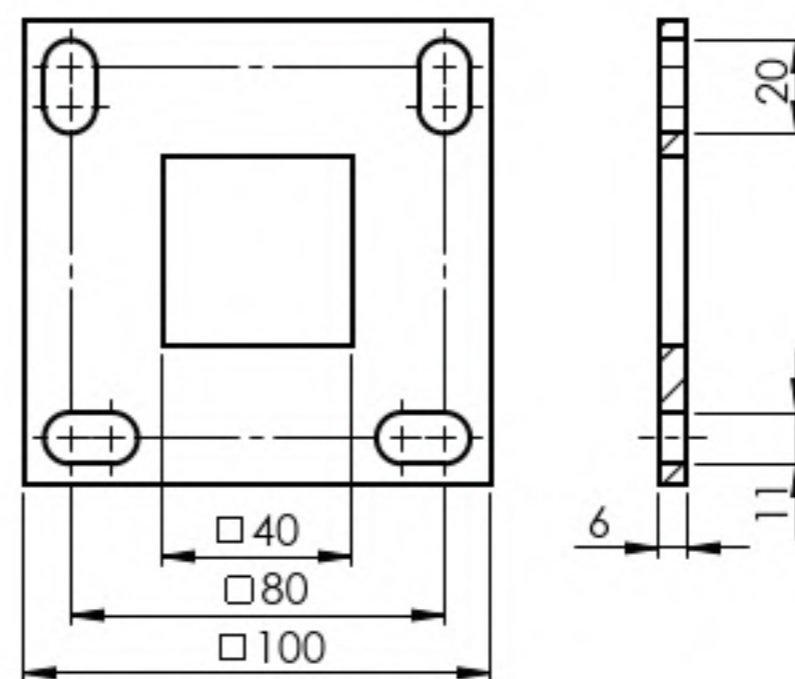


Quality	Finish	art.	axb	c
AISI304	raw	A/1981-088x40x4-N	88x88	65
		A/1981-092x40x4-N	92x92	67
		A/1981-100x40x4-N	100x100	70

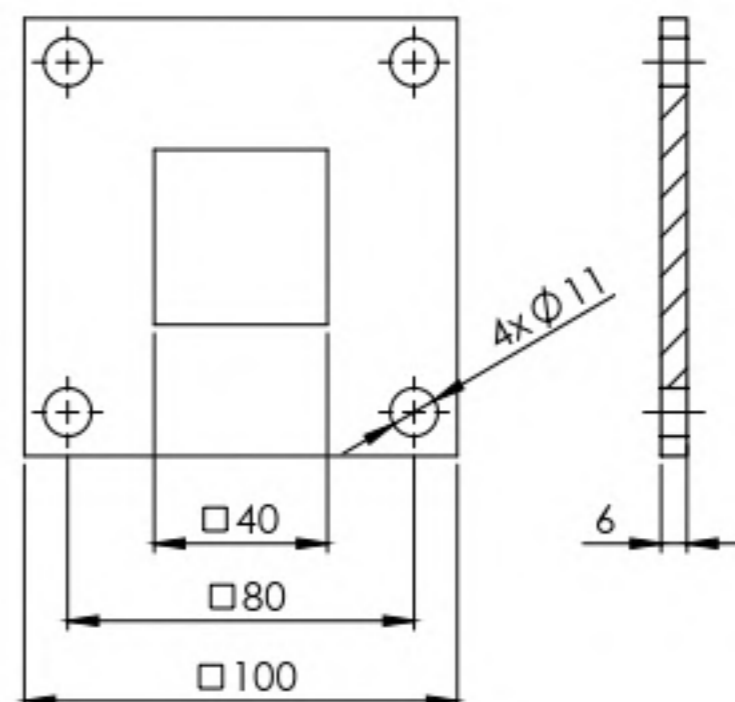


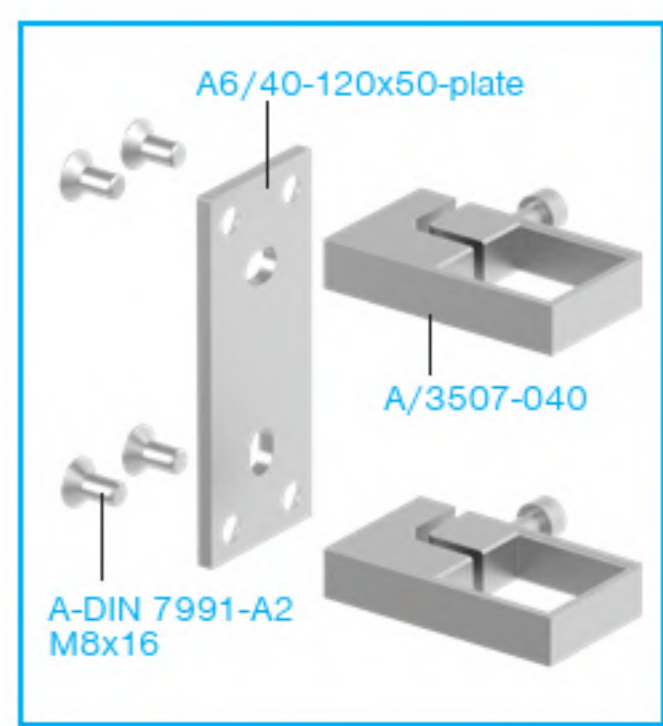
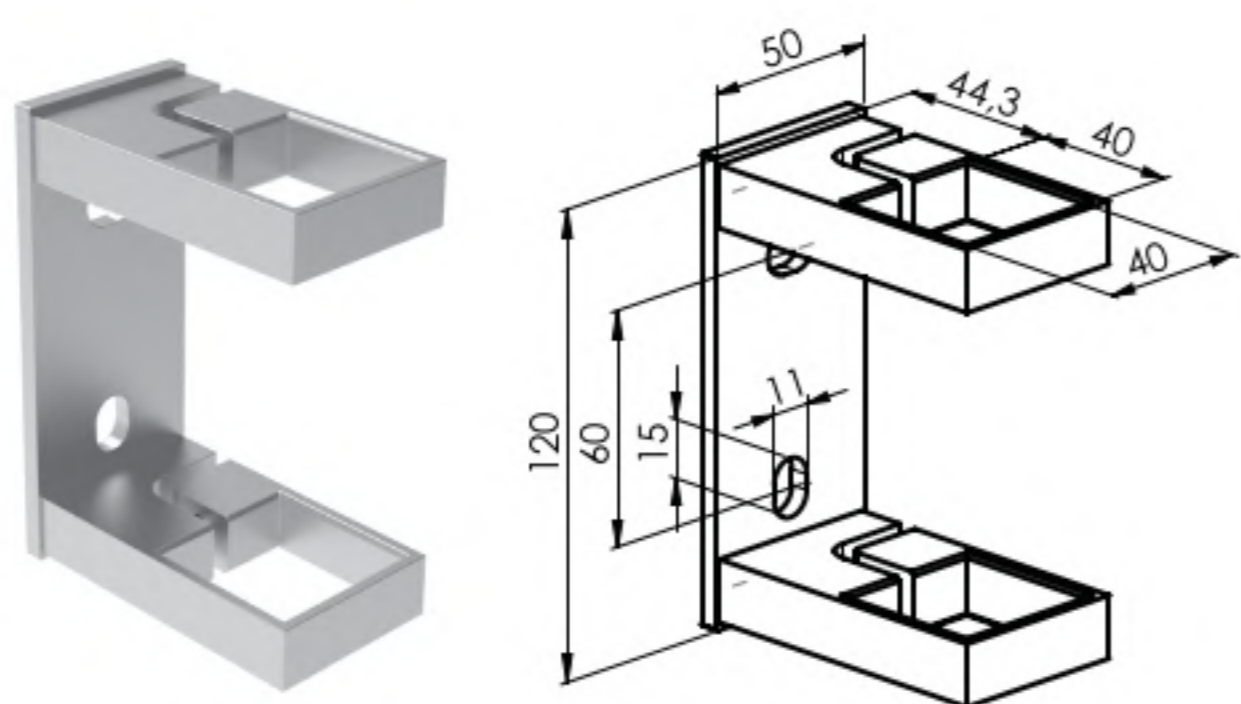
Quality	Finish	art.
AISI304	satin	A/1982-100x40x6-N

new

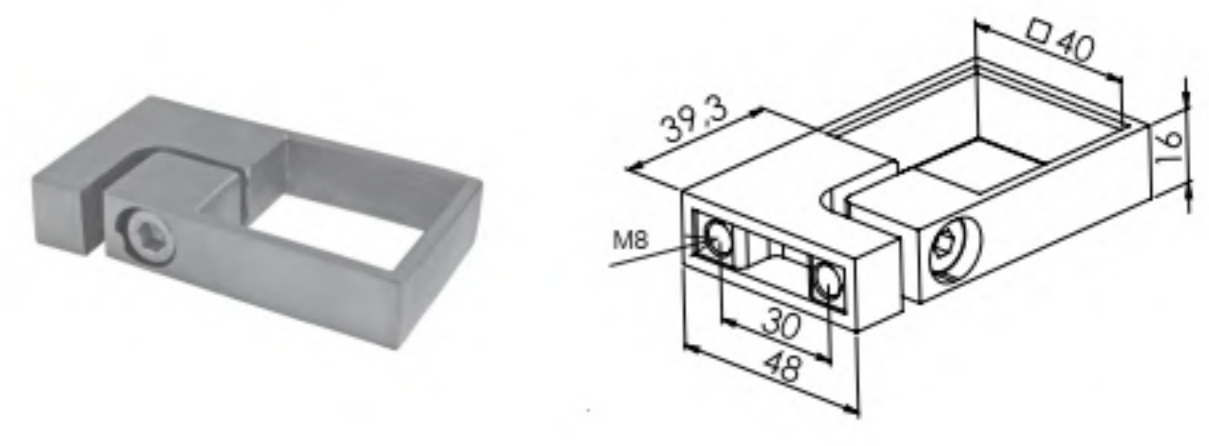
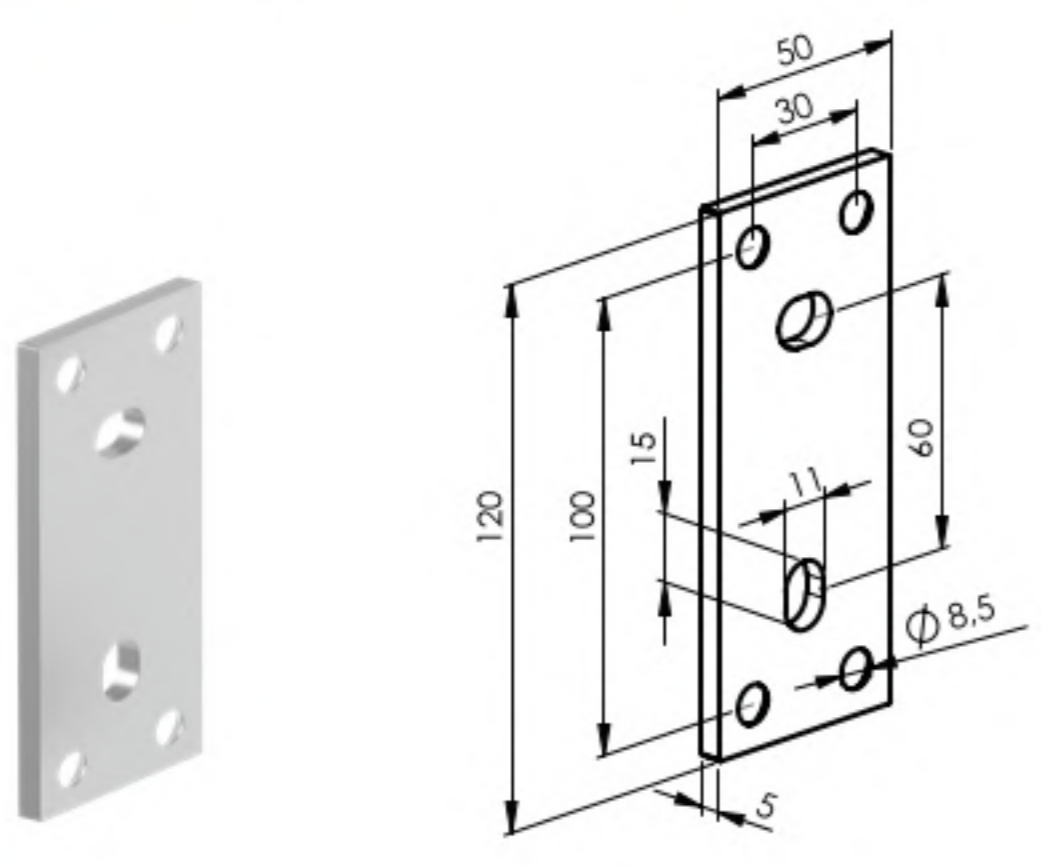


Quality	Finish	art.
AISI304	raw	A/1984-100x40x6-N
	satin	A/1984-100x40x6



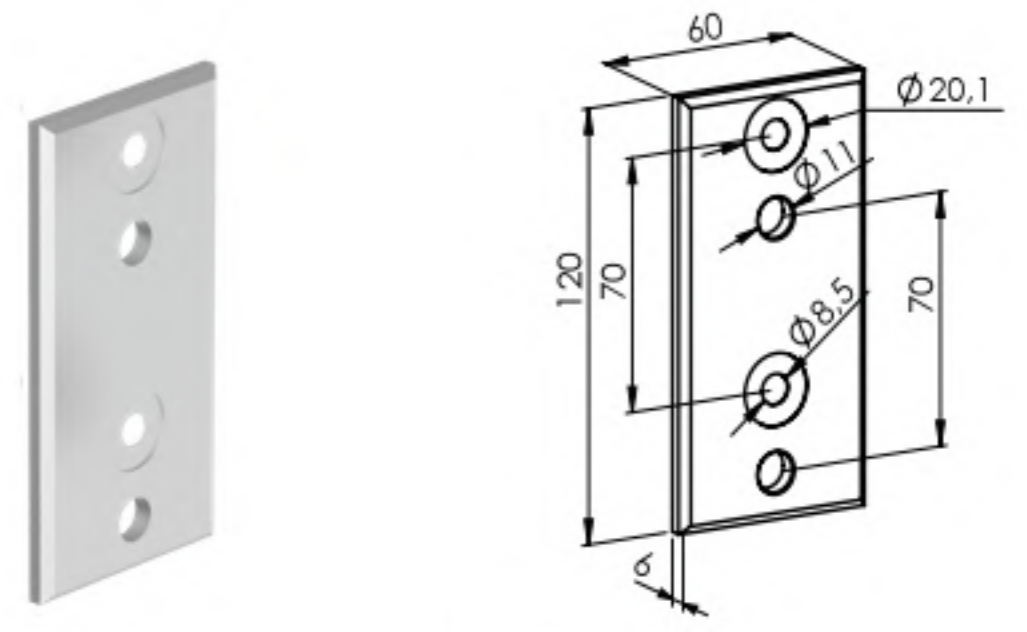
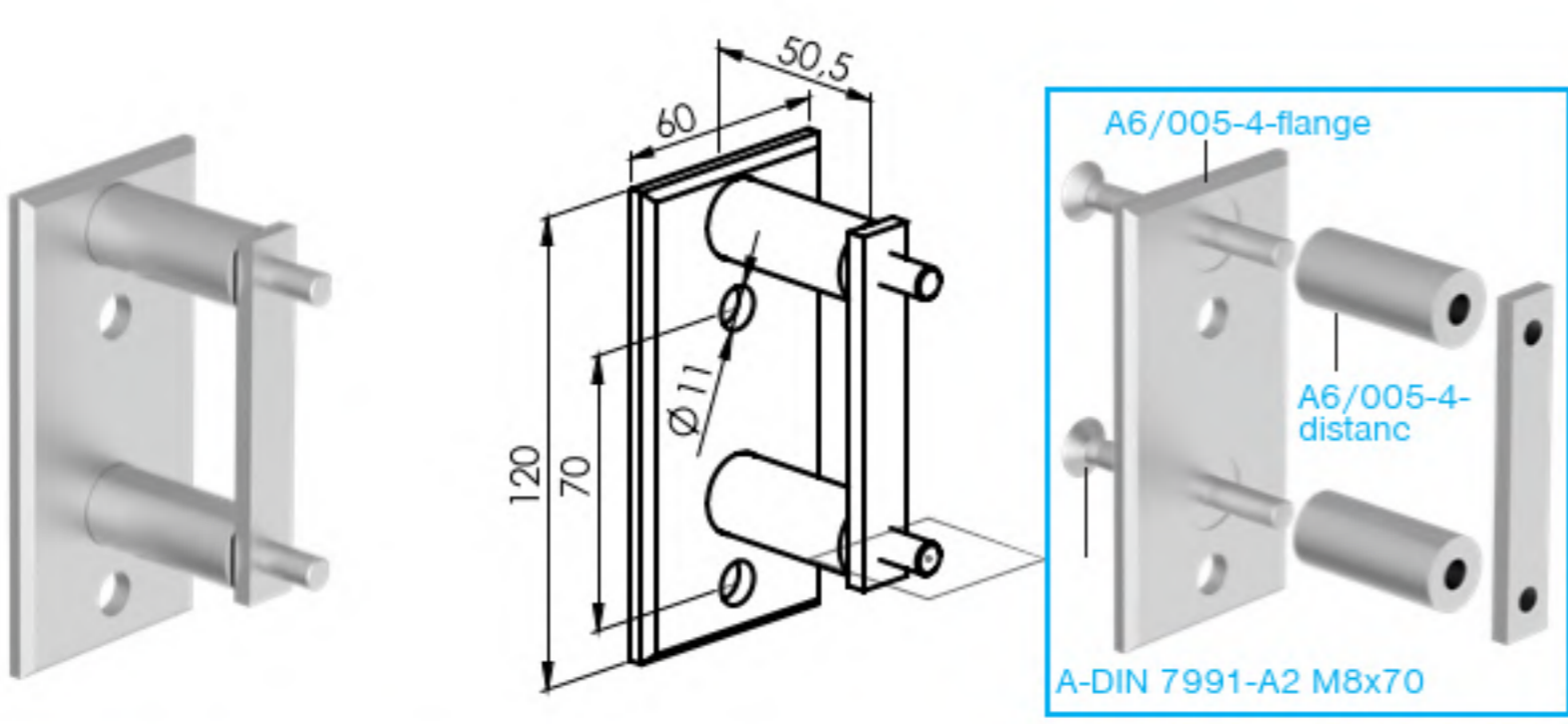


Quality	Finish	art.
AISI304	satın	A6/40-120x50



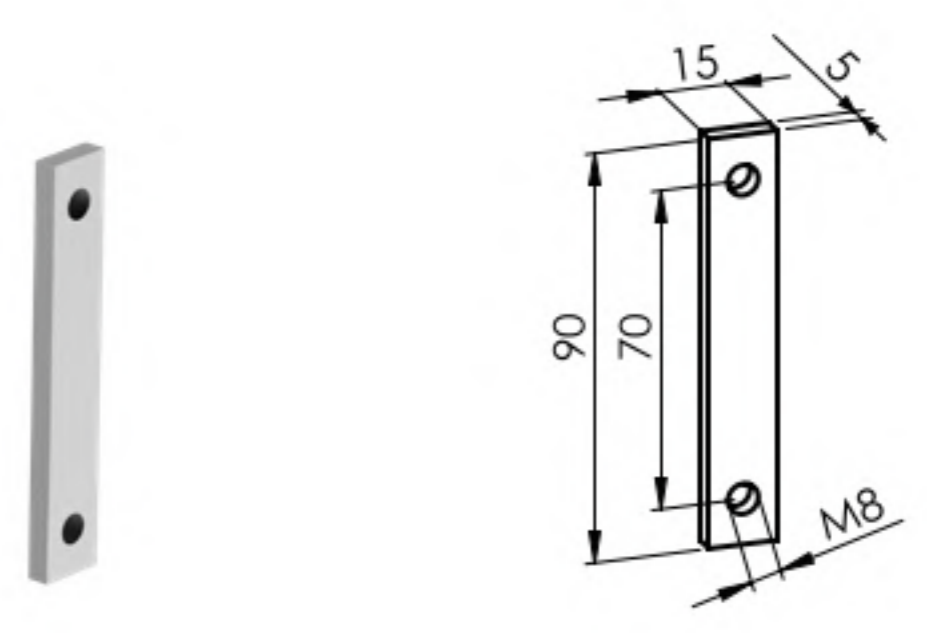
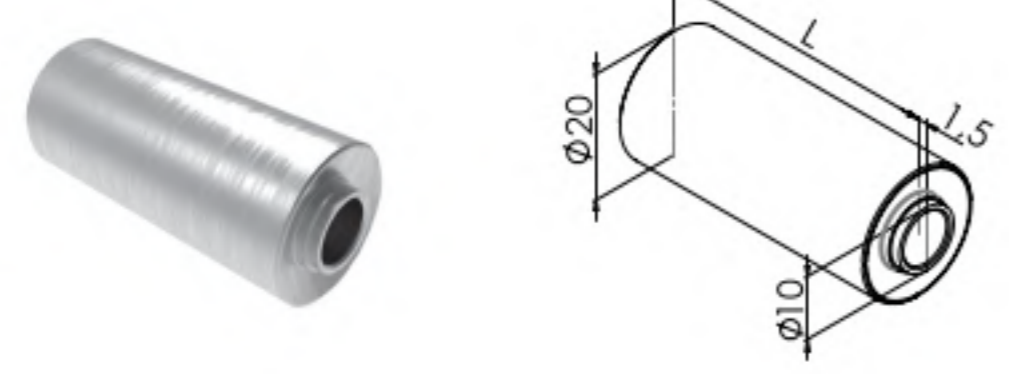
Quality	Finish	art.
AISI304	satın	A6/40-120x50-plate

Quality	Finish	art.
AISI304	satın	A/3507-040



Quality	Finish	art.
AISI304	satın	A6/005-4
AISI316	satın	A14/005-4

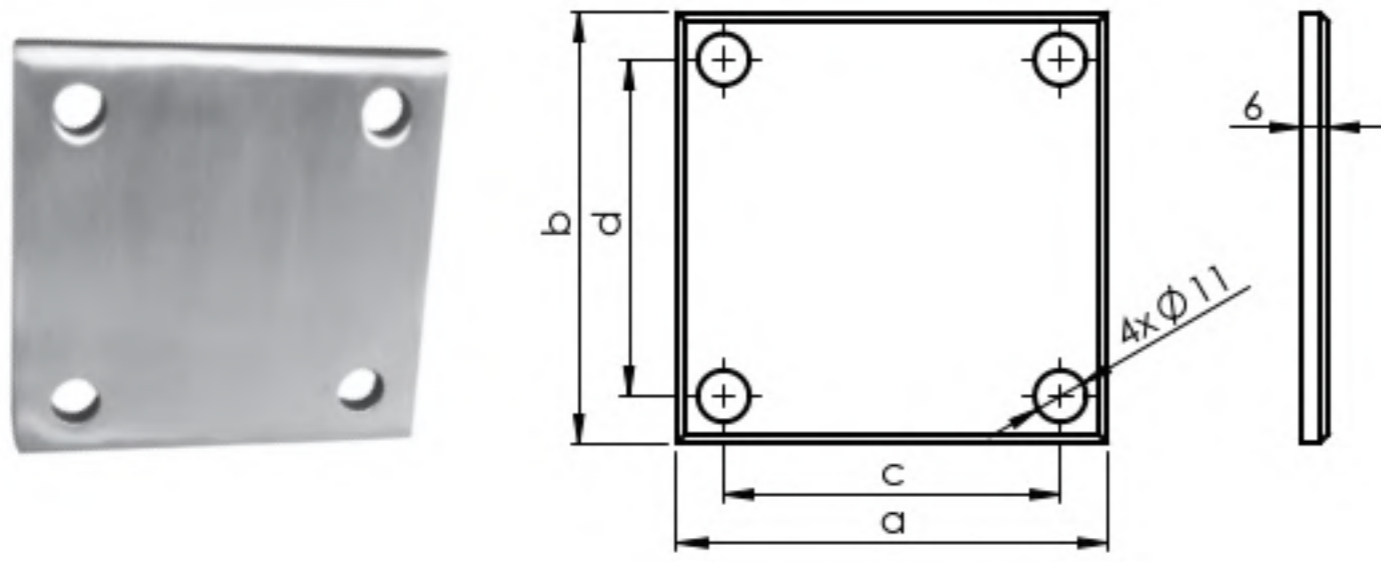
Quality	Finish	art.
AISI304	satın	A6/005-4-flange <i>new</i>



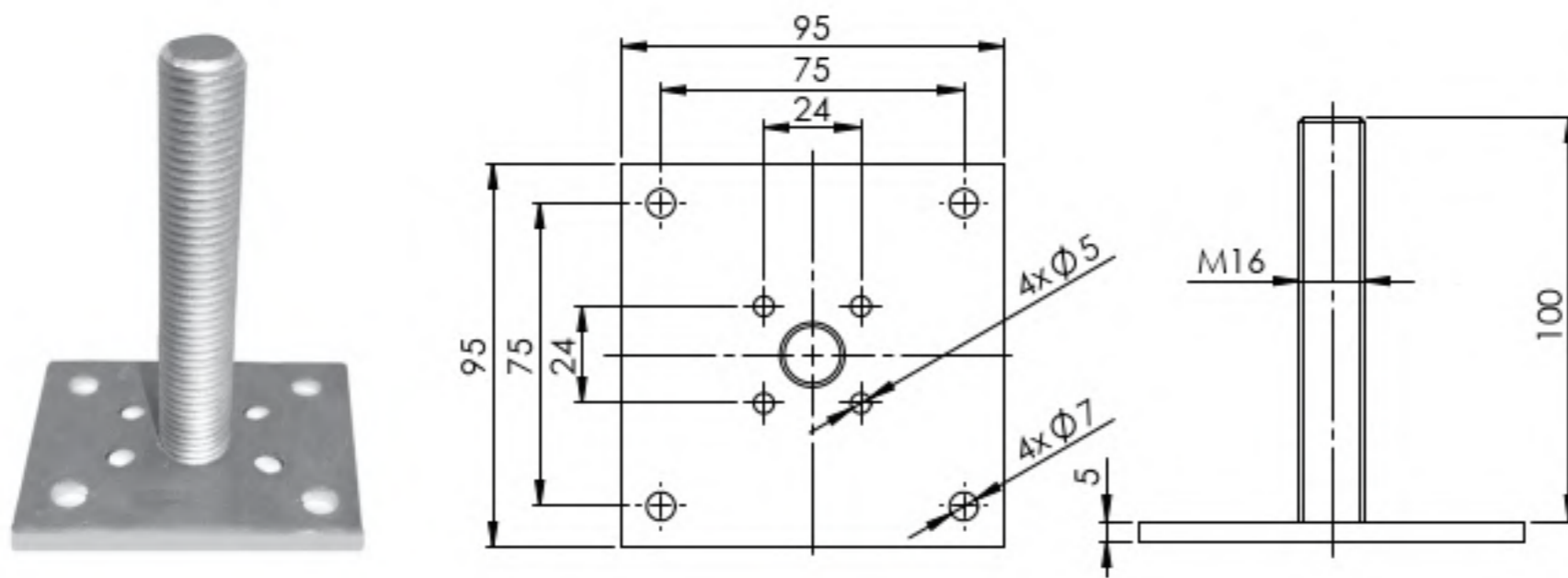
Quality	Finish	art.	L	recommended screw
AISI304	satın	A6/005-4-distanc	45	A-DIN 7991-A2 M8x70
		A6/005-025	25	A-DIN 7991-A2 M8x50
		A6/005-075	75	A4-DIN 7991 M8x100


new new

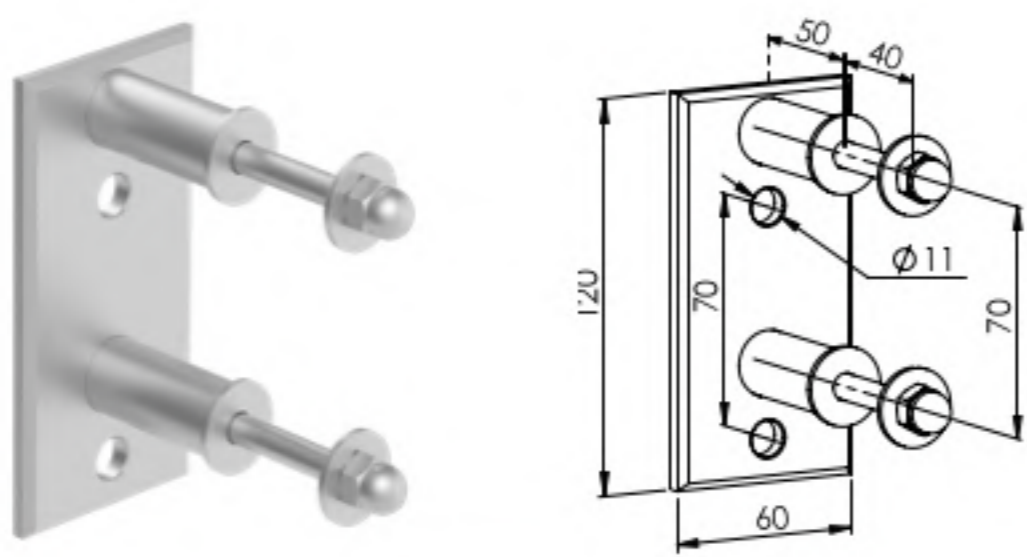
Quality	Finish	art.
AISI316	satın	A14/021-6-plate



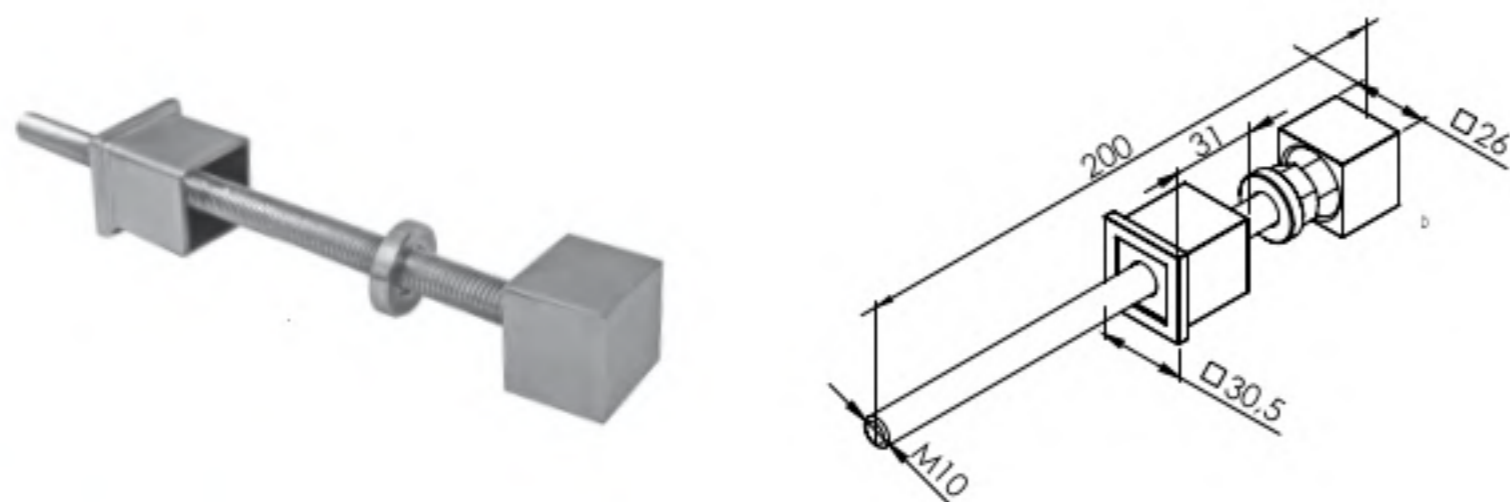
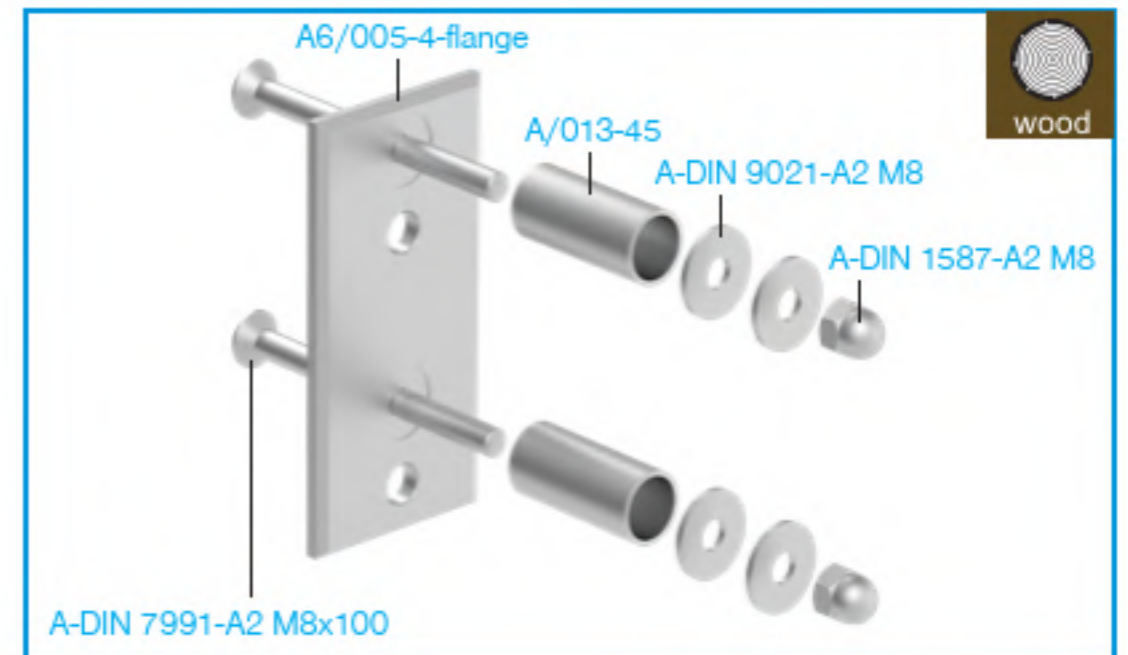
Quality	Finish	art.	a x b	cx d
AISI304	satin	A/1980-092	92x92	72x72
		A/1980-100	100x100	80x80



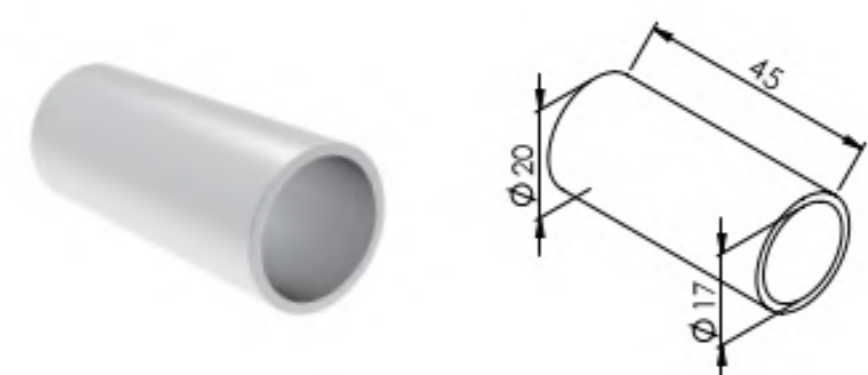
Quality	Finish	art.	
Fe	Zinc	A6/95x95x5-M16	




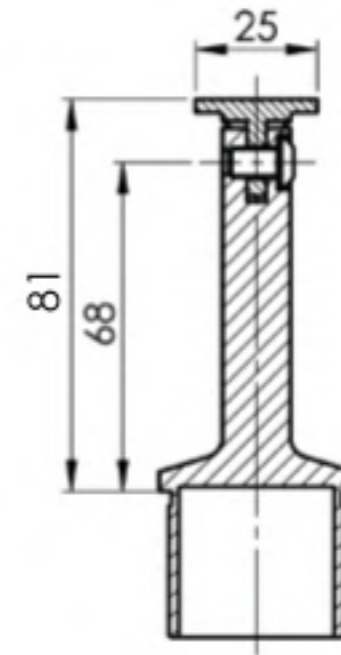
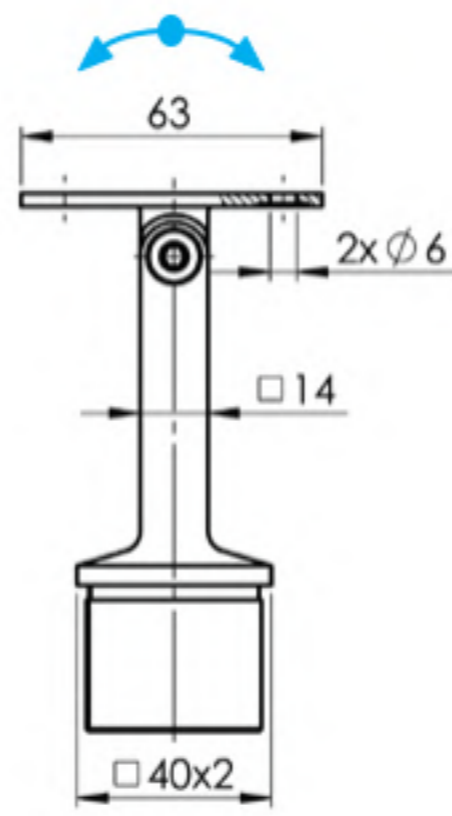
Quality	Finish	art.	
AISI304	satin	A6/005-4W	<i>new</i>



Quality	Finish	art.
AISI304	satin	A6/26x26-31

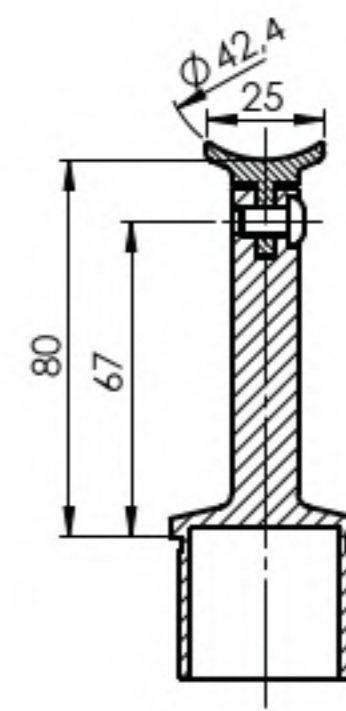
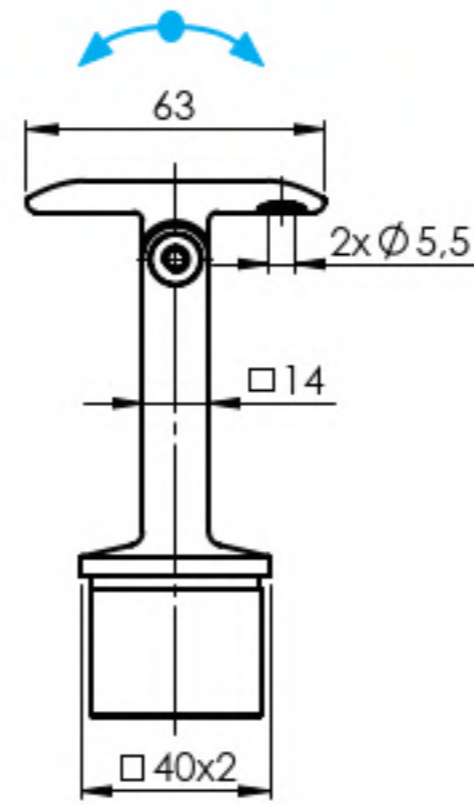


Quality	Finish	art.	
AISI304	satin	A/013-45	



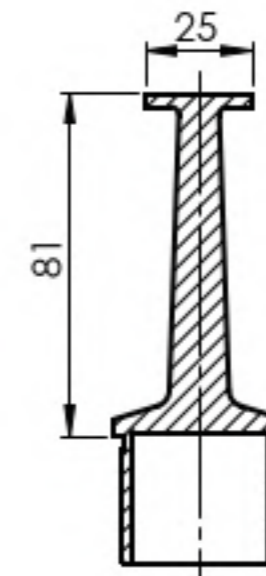
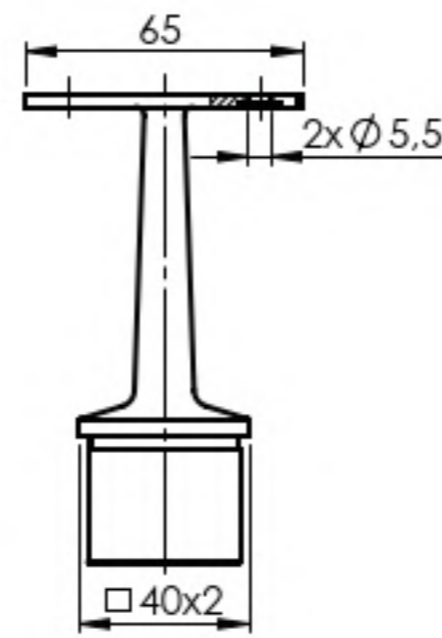
Quality	Finish	art.
AISI304	satin	A/4718-000-B
AISI316		A14/4718-000
		A14/4718-000-B

new

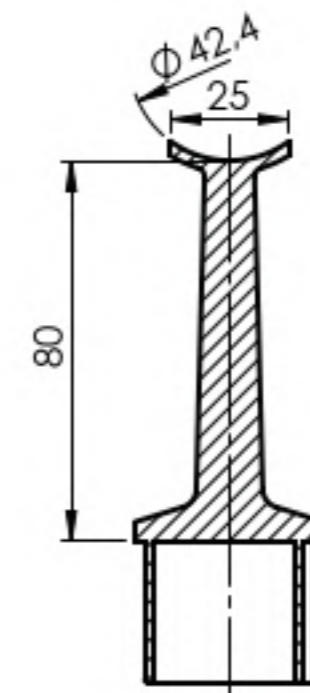
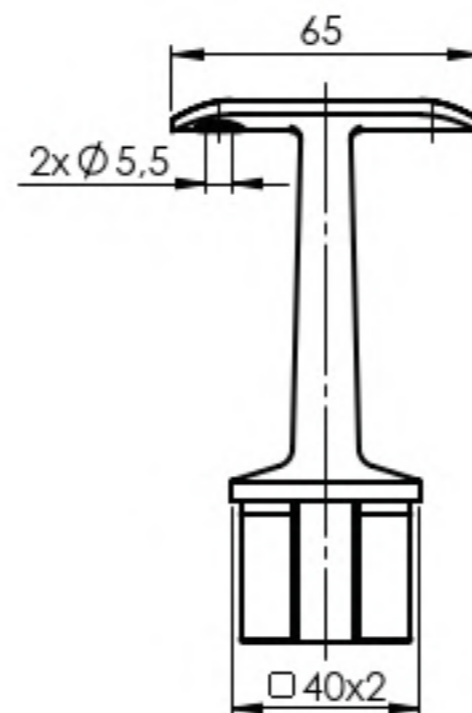


Quality	Finish	art.
AISI304	satin	A/4718-042
AISI316		A14/4718-042

top

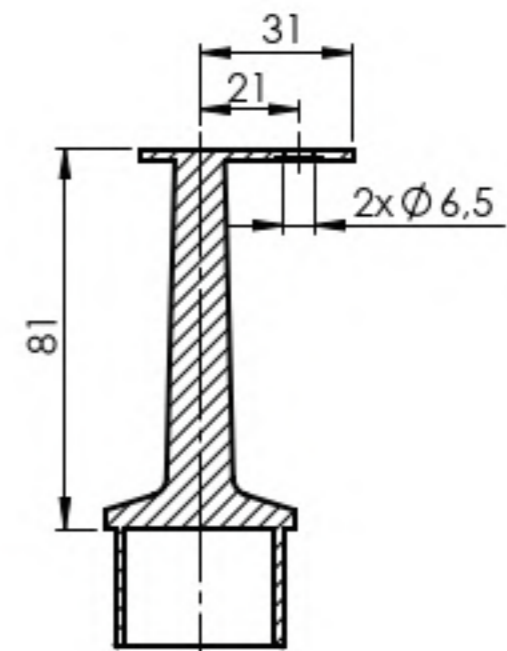
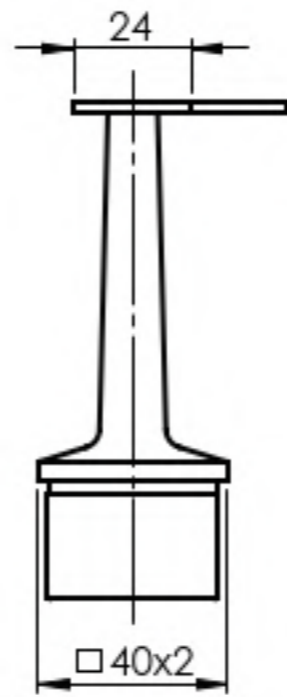


Quality	Finish	art.
AISI316	satin	A14/4710-000

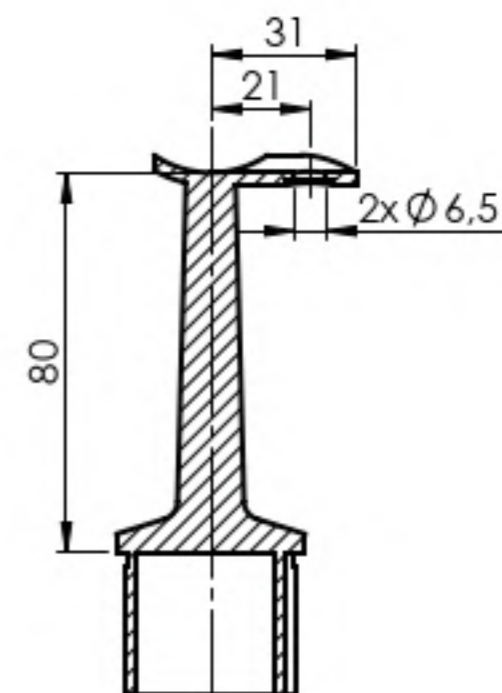
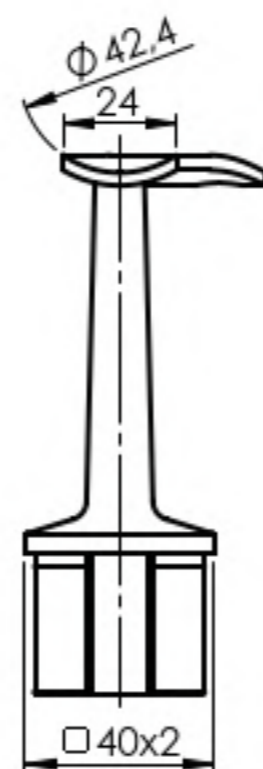


Quality	Finish	art.
AISI304	satin	A/4710-042
AISI316		A14/4710-042

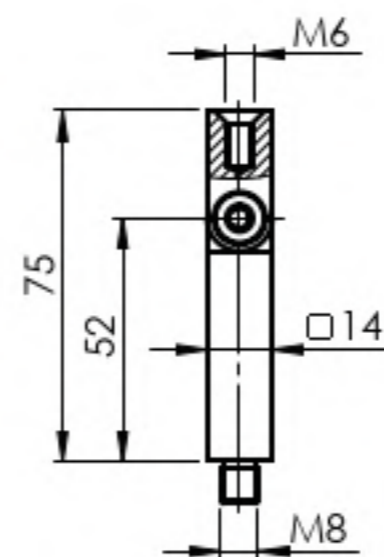
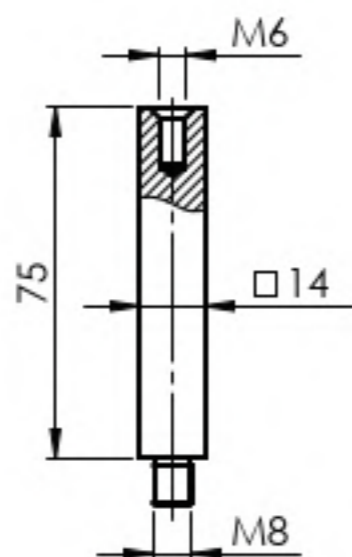
new



Quality	Finish	art.	compatibility
AISI304	satin	A/4710-800	...4301-040
AISI316		A14/4710-800	

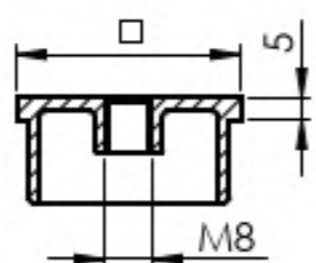


Quality	Finish	art.	compatibility
AISI304	satin	A/4710-842	...0303-242
AISI316		A14/4710-842	





Quality	Finish	art.
AISI304	satin	A/4811-040

Quality	Finish	art.
AISI304	satin	A/4812-040




Quality	Finish	art.	∅
AISI304	satin	A/4735-030-R	30x30x2
		A/4735-040-R	40x40x2
		A/4735-041-R	40x40x3
		A/4735-050-R	50x50x2
		A/4735-060-R	60x60x2
AISI316		A14/4735-040-R	40x40x2

top





A-DIN 7991-A2 M6x8


+



A/1800-0...




A/1890-0...




A/1881-0...

+




A/4811-040



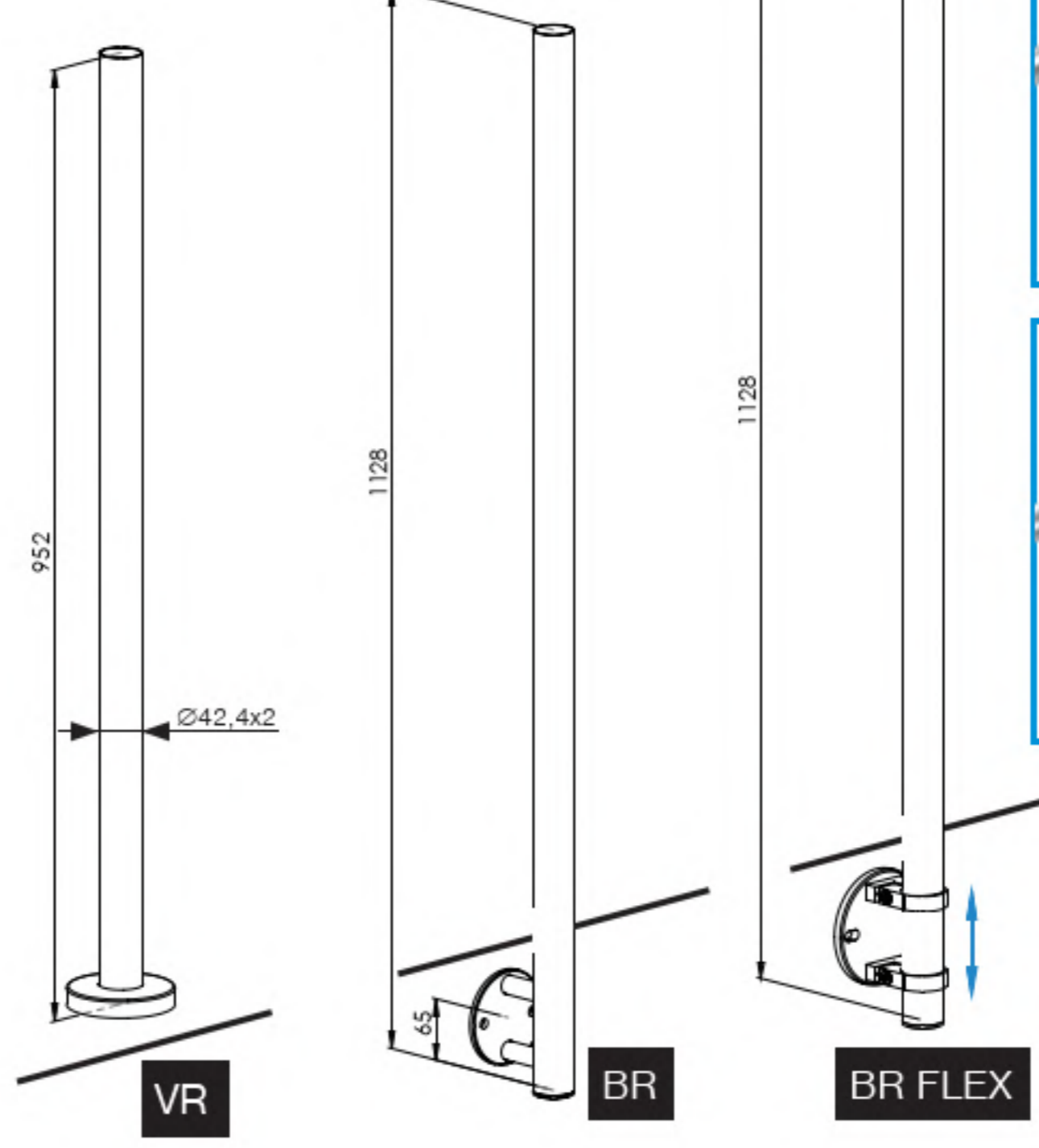
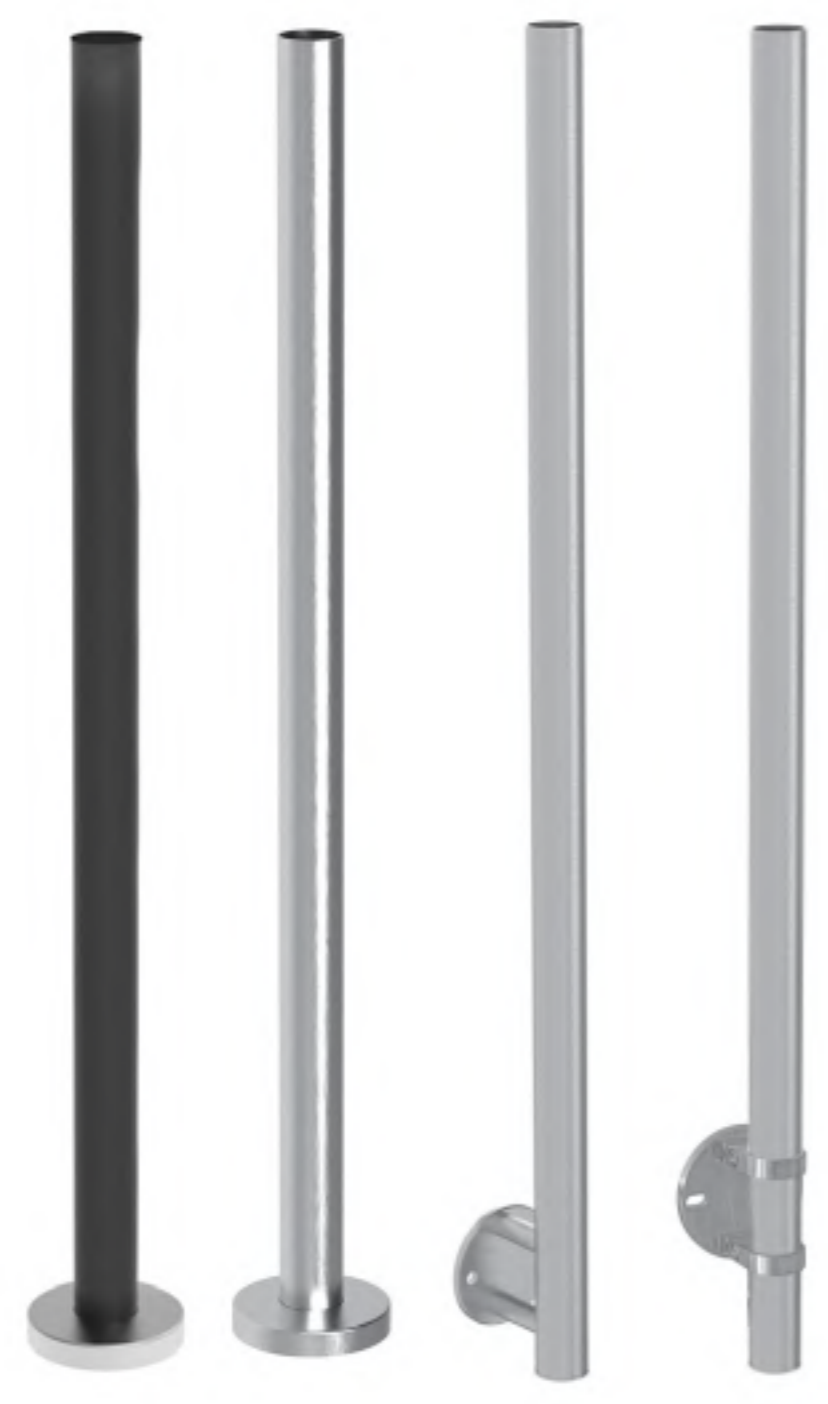
A/4812-040

+



A/4735-0...-R

MODEL ROUND D42

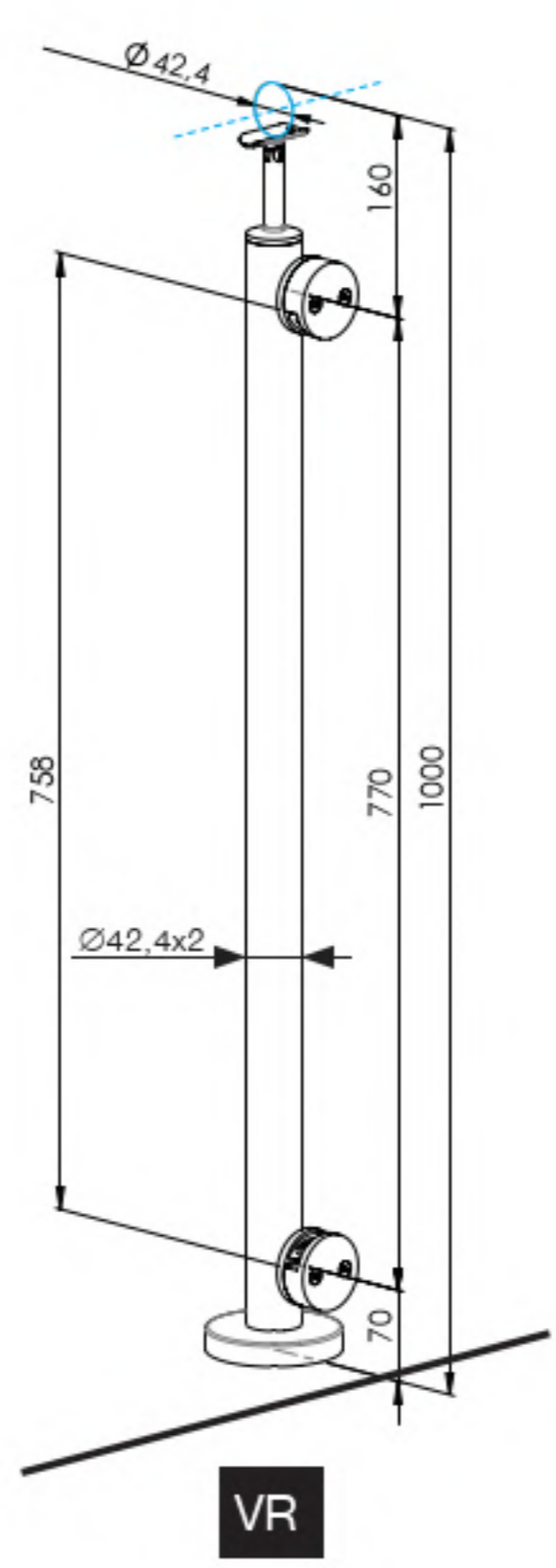


Quality	Finish	art.							
			../42,4x2..	A-PVD/42,4x2..	../0512-042..	../0940-042-N	../021-6-A..	A6/2x42..	A/5729-242..
AISI304	polish	A-VER-VR100	1x						
	polish	A-VER-VR100-L							
	PVD Black	A-PVD-VER-VR100		1x					
AISI316	polish	A14-VER-VR100			1x	1x			
AISI304	polish	A-VER-BR100							
	polish	A-VER-BR100-L	1x				1x		
AISI316	polish	A14-VER-BR100							1x
AISI304	polish	A-VER-BR100-FLEX						1x	

new
new
new
new
new



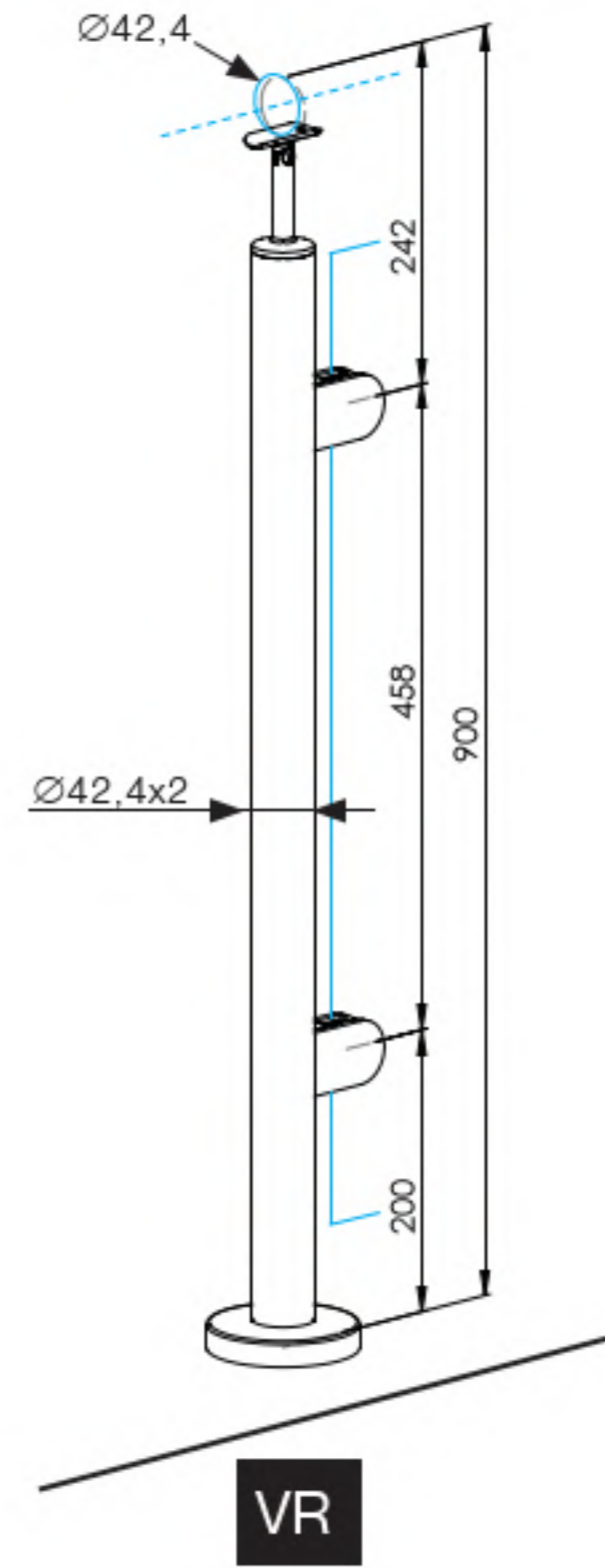
	1x
A/0718-242	
	2x
A/4000-742	
	4x
A19/4041-009	
	1x
A/42,4x2	
	1x
A/0512-042	
	1x
A/0940-042-N	



Quality	Finish	glass t	art.
AISI304	polish	8,76	A-VR100-G







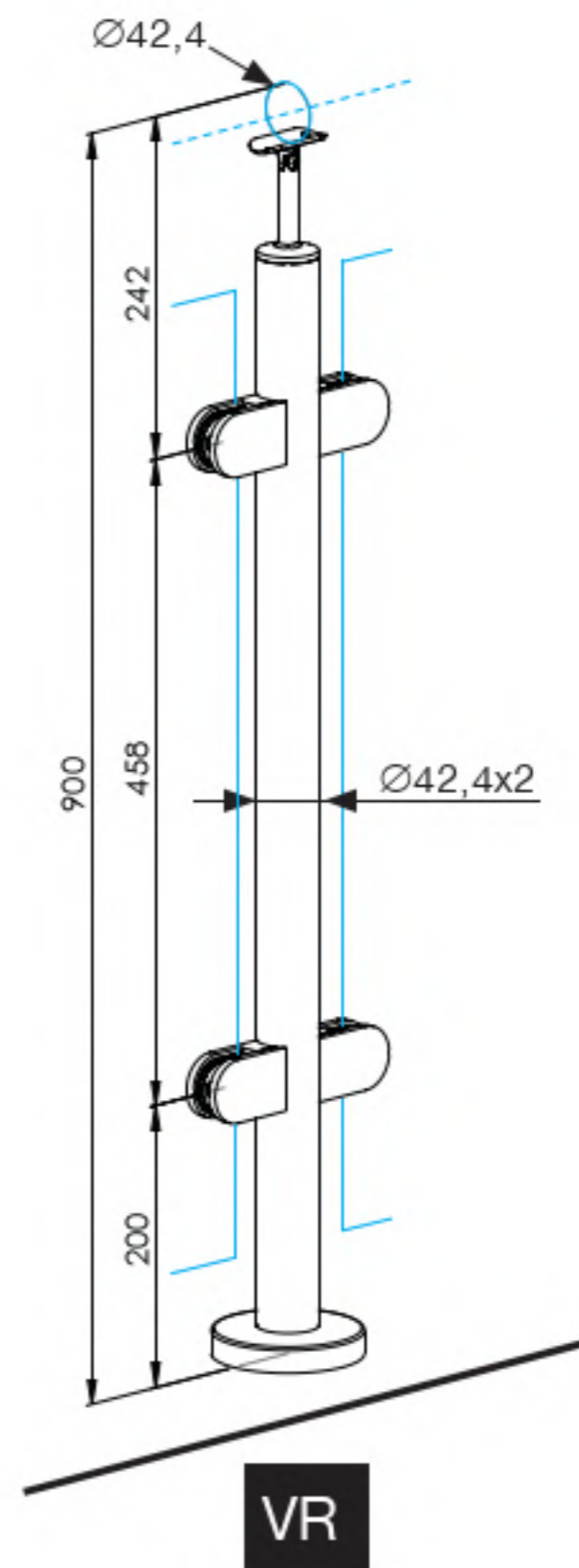
-  1x
A/0718-242
-  2x
A/2200-042
-  4x
A19/22-009
-  1x
A/42,4x2
-  1x
A/0512-042
-  1x
A/0940-042-N



Quality	Finish	glass t	art.
AISI304	satin	8,76	A-VR90-2GR A-VR90-2GL





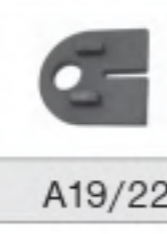
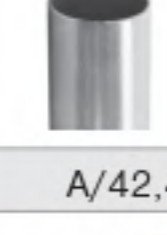
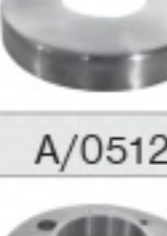
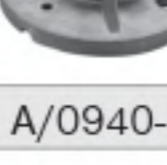
-  1x
A/071...
-  4x
A/2200-042
-  8x
A19/22-009
-  1x
A/42,4x2
-  1x
A/0512-042
-  1x
A/0940-042-N



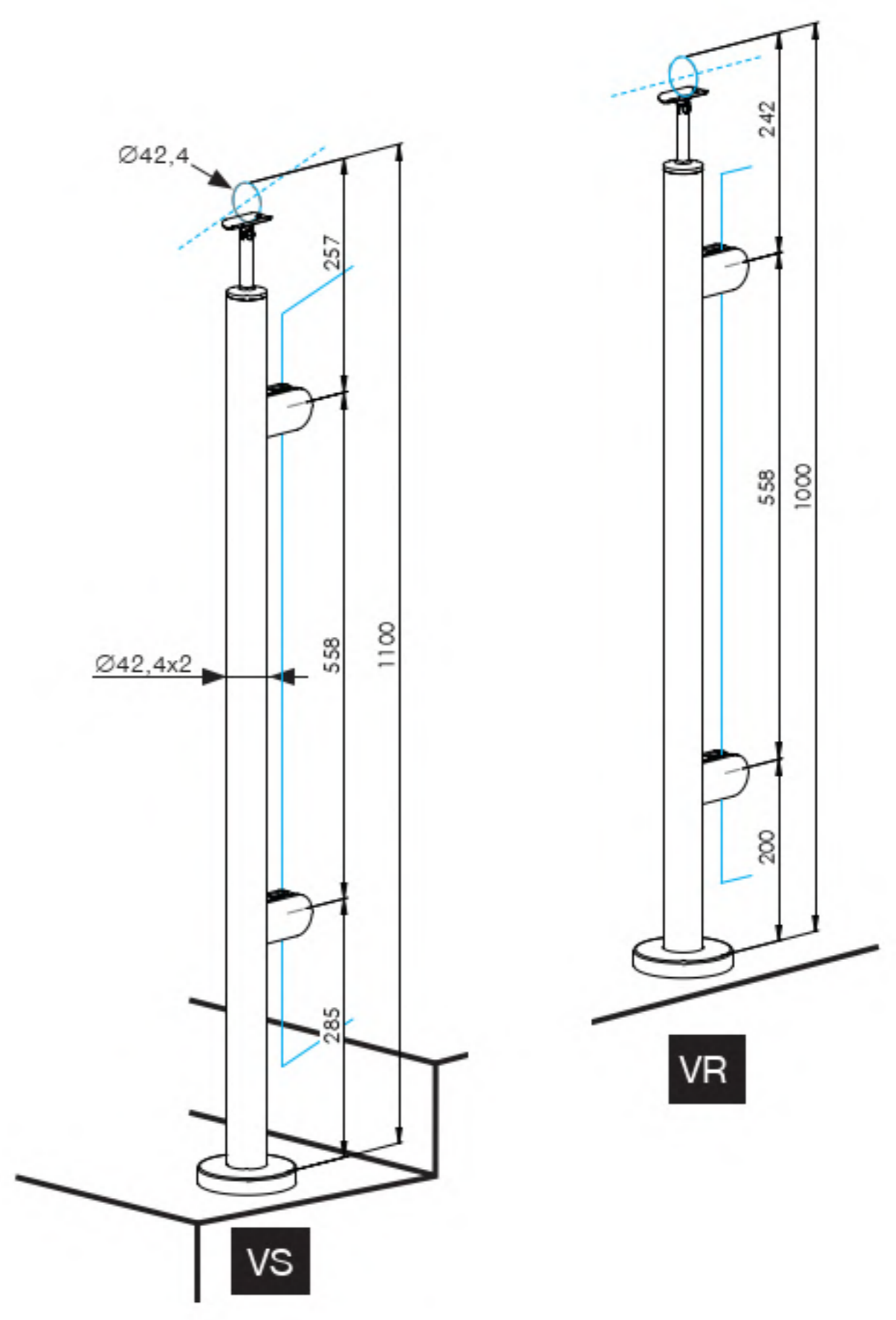
Quality	Finish	glass t	art.
AISI304	satin	8,76	A-VR90-4G A-VR90-4G90




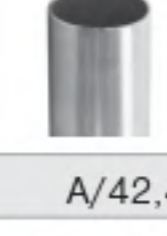
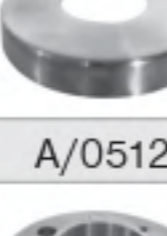
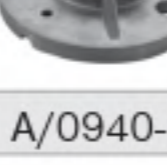
MODEL ROUND D42



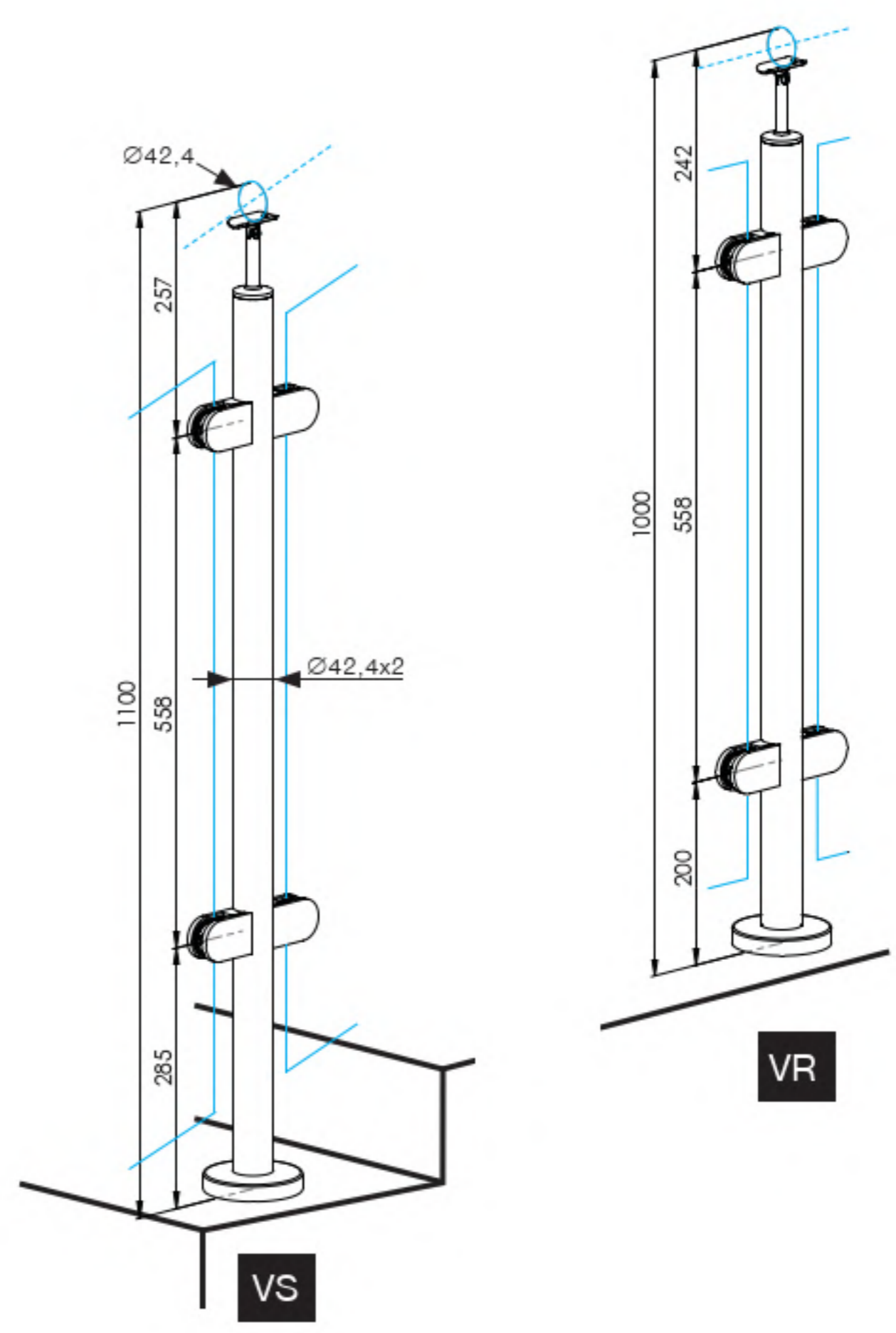
-  1x
A/0718-242
-  2x
A/2200-042
-  4x
A19/22-009
-  1x
A/42,4x2
-  1x
A/0512-042
-  1x
A/0940-042-N

Quality	Finish	glass t	art.
AISI304	satin	8,76	A-VR100-2GR
			A-VS100-2GR
			A-VR100-2GL
			A-VS100-2GL



-  1x
A/071...
-  4x
A/2200-042
-  8x
A19/22-009
-  1x
A/42,4x2
-  1x
A/0512-042
-  1x
A/0940-042-N

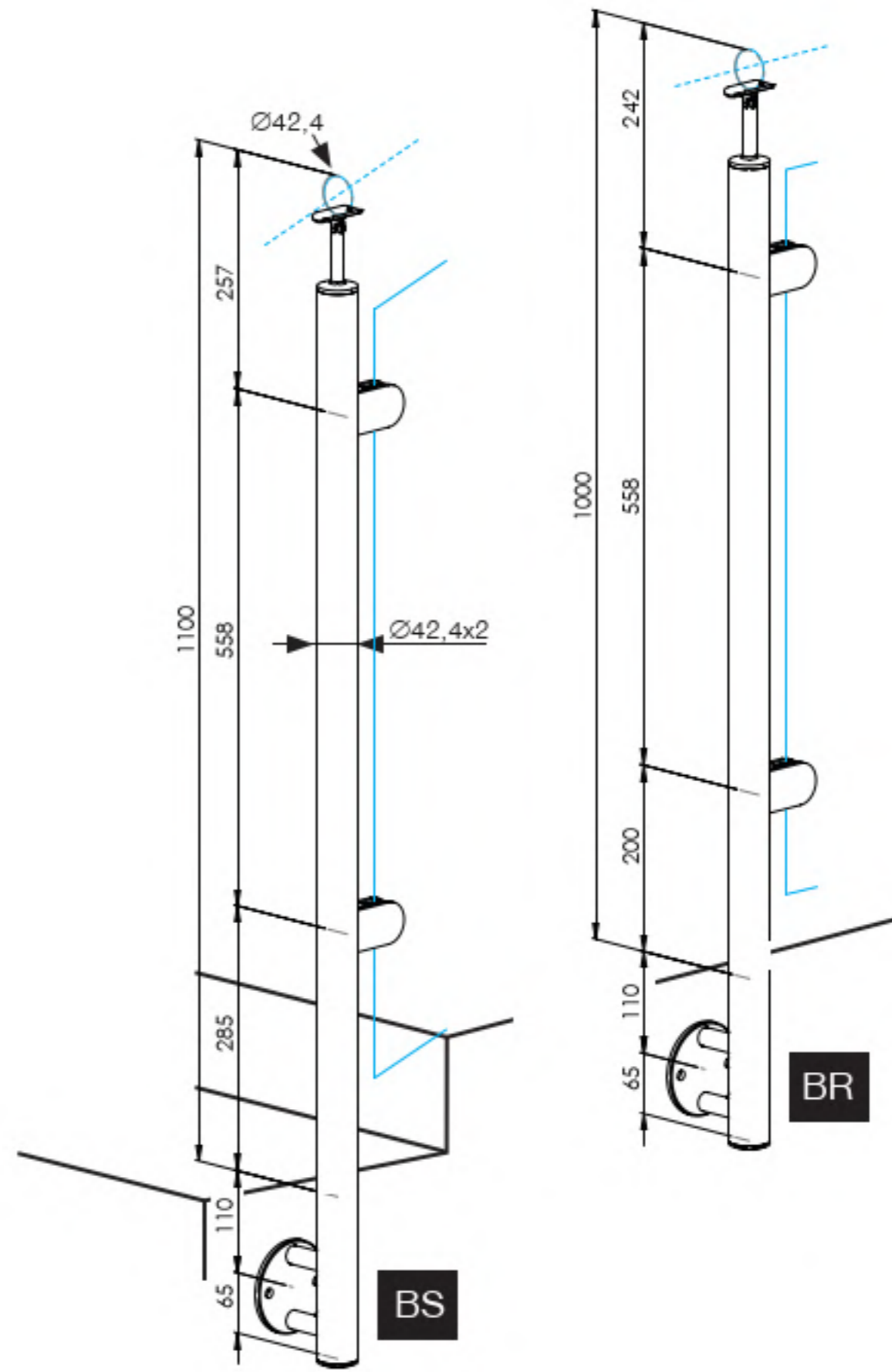
Quality	Finish	glass t	art.
AISI304	satin	8,76	A-VR100-4G
			A-VR100-4G90
			A-VS100-4G



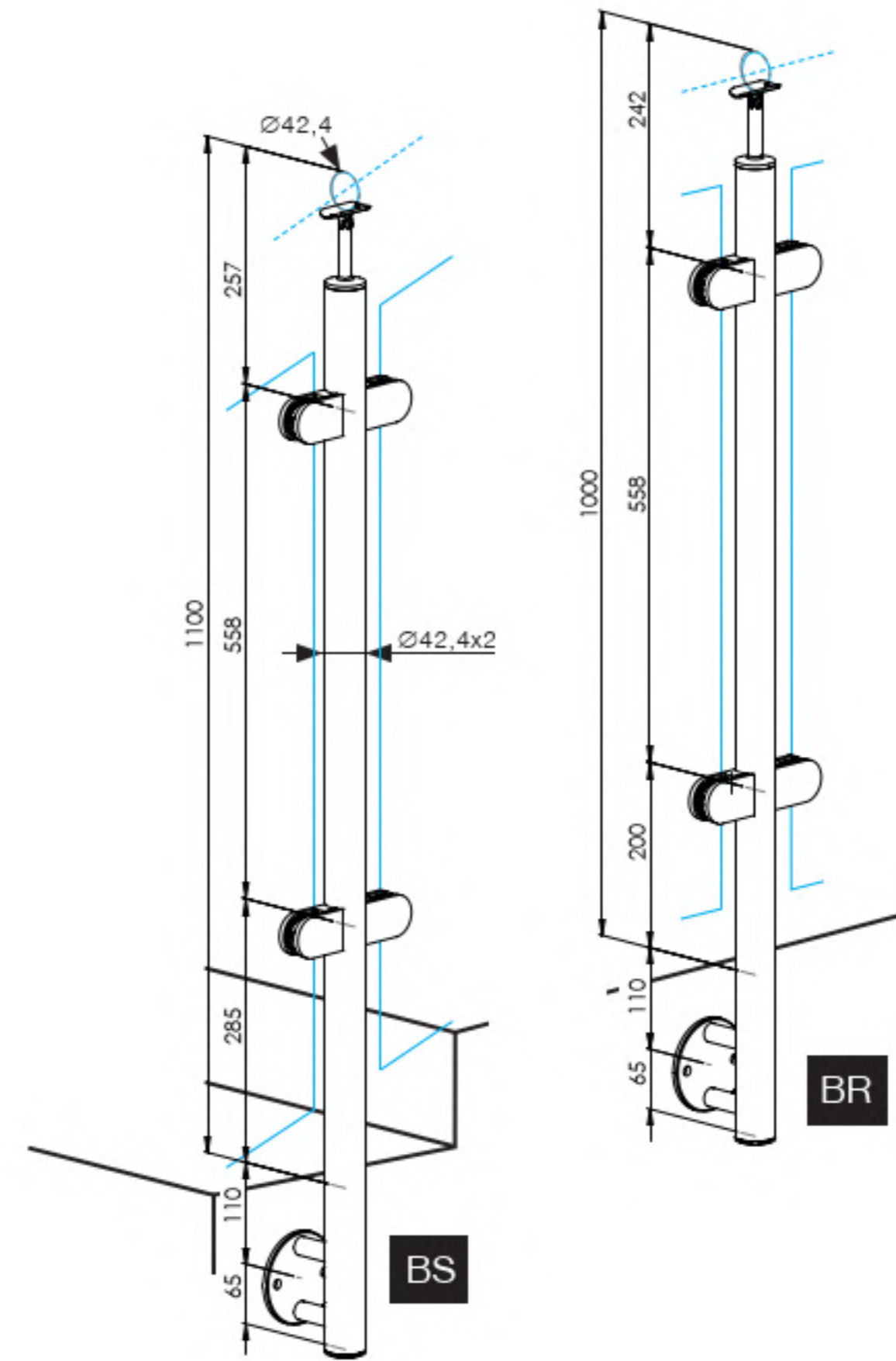
MODEL ROUND D42












	1x
A/0718-242	
	2x
A/2200-042	
	4x
A19/22-009	
	1x
A/42,4x2	
	1x
A6/021-6-A	
	1x
A/5729-242	



Quality	Finish	glass t	art.
AISI304	satin	8,76	A-BR100-2GR
			A-BS100-2GR
			A-BR100-2GL
			A-BS100-2GL



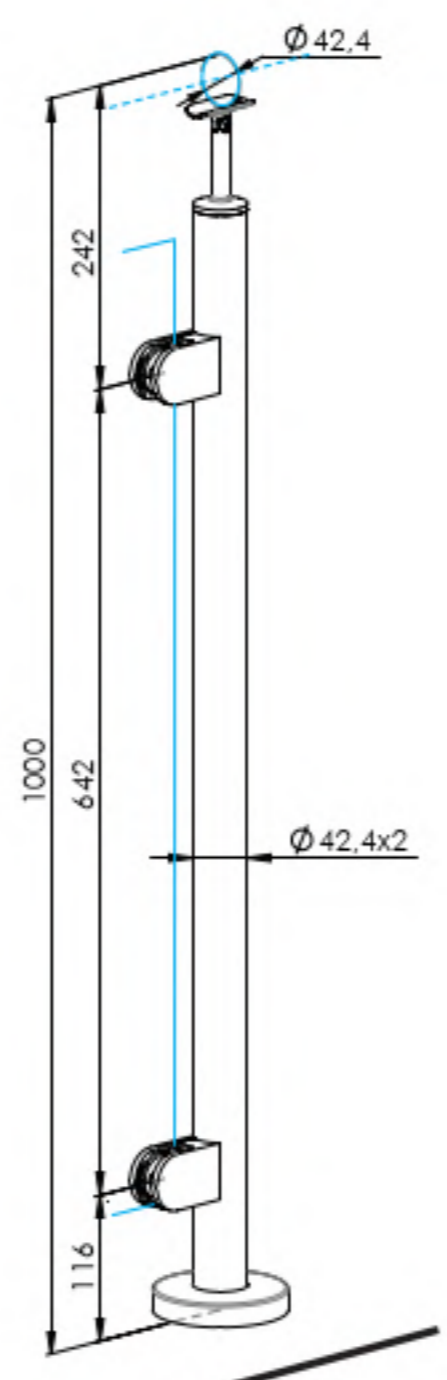
Quality	Finish	glass t	art.										
AISI304	satin	8,76	A-BR100-4G	1x					1x				
			A-BS100-4G										
			A-BR100-4G90-IN		1x	4x	8x	1x		1x			1x
			A-BR100-4G90-OUT									1x	

MODEL ROUND D42



2G

	1x
A/0718-242	
	2x
A/250P-042	
	4x (6-12,76)
A19/25-0..	
	1x
A/42,4x2	
	1x
A/0512-042	
	1x
A/0940-042-N	

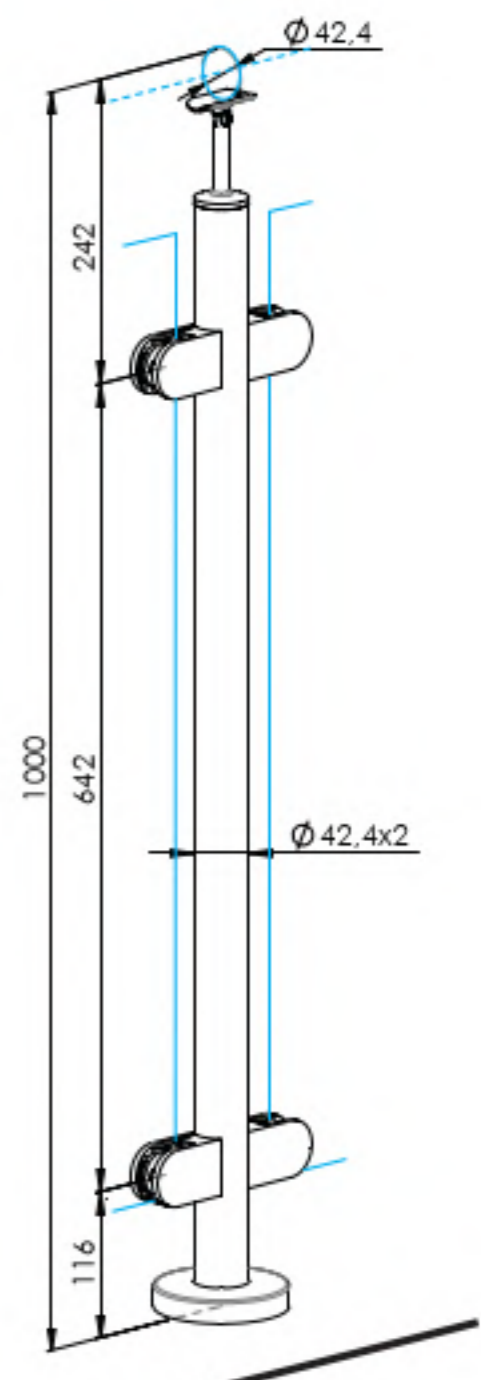


VR



4G

	1x
A/0718-242	
	4x
A/250P-042	
	8x (6-12,76)
A19/25-0..	
	1x
A/42,4x2	
	1x
A/0512-042	
	1x
A/0940-042-N	



VR

Quality	Finish	glass t	art.
AISI304	satın	6-12,76	A-VR100-2G-250P

new

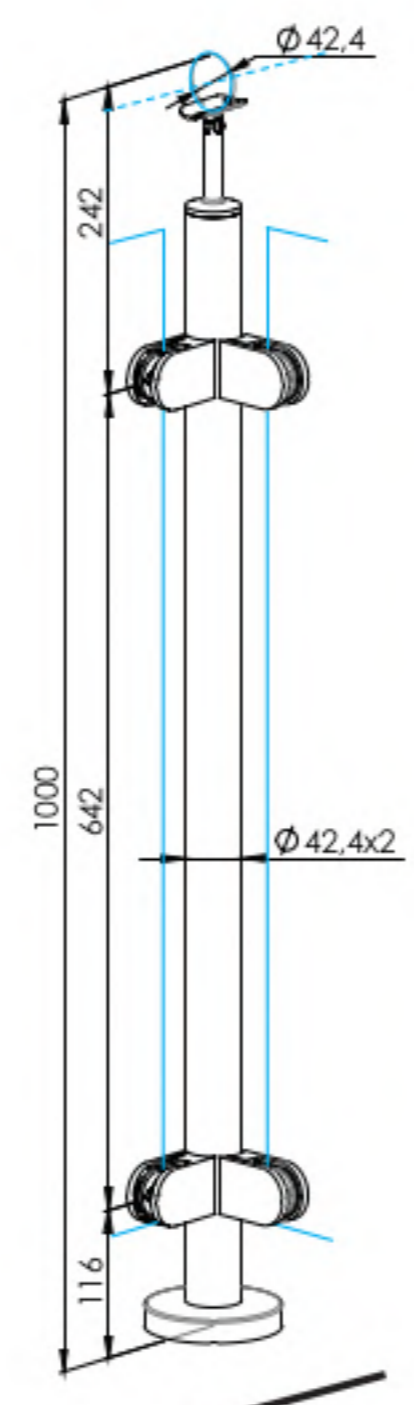
Quality	Finish	glass t	art.
AISI304	satın	6-12,76	A-VR100-4G-250P

new



4G90

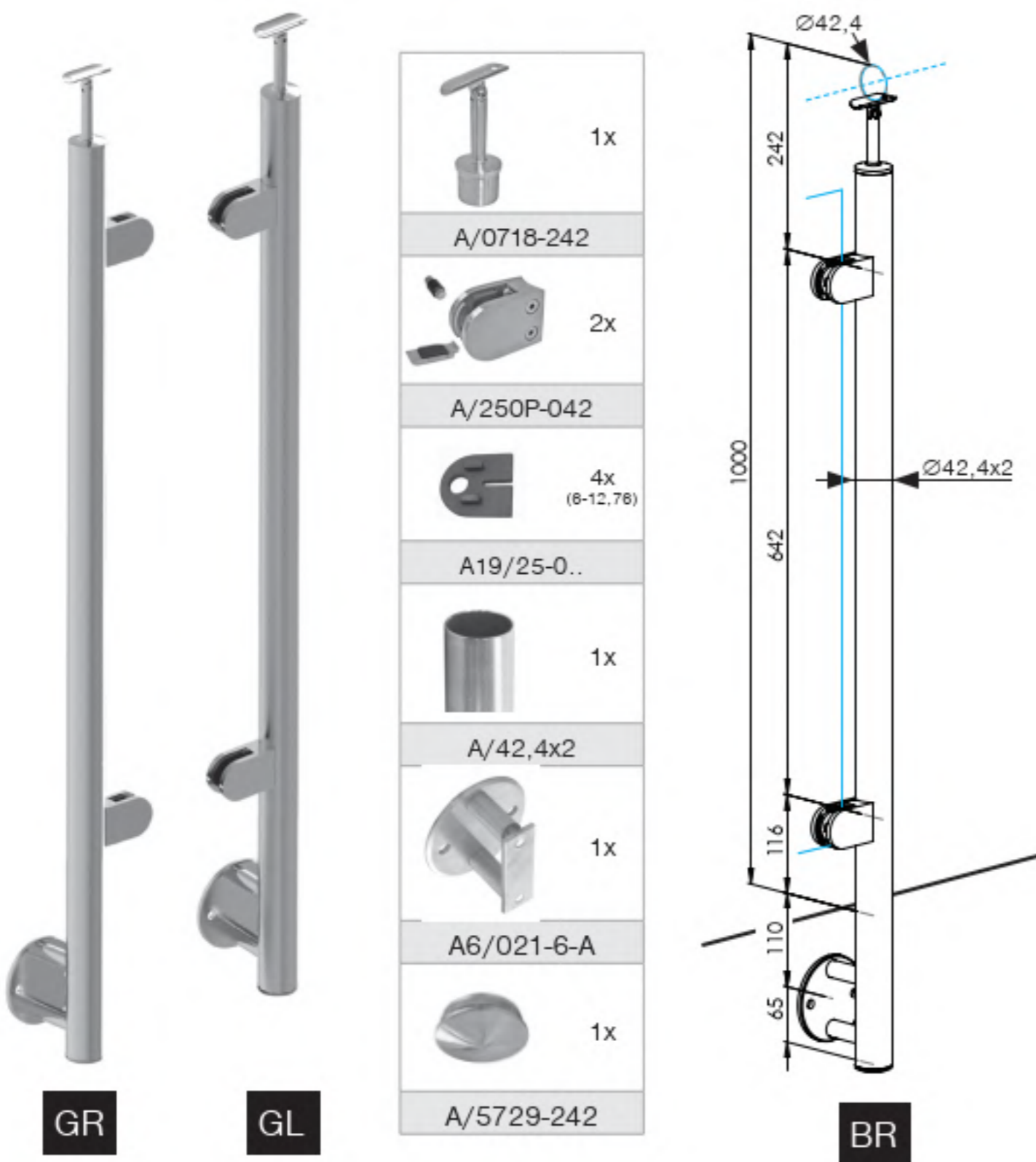
	1x
A/0710-842	
	4x
A/250P-042	
	8x (6-12,76)
A19/25-0..	
	1x
A/42,4x2	
	1x
A/0512-042	
	1x
A/0940-042-N	









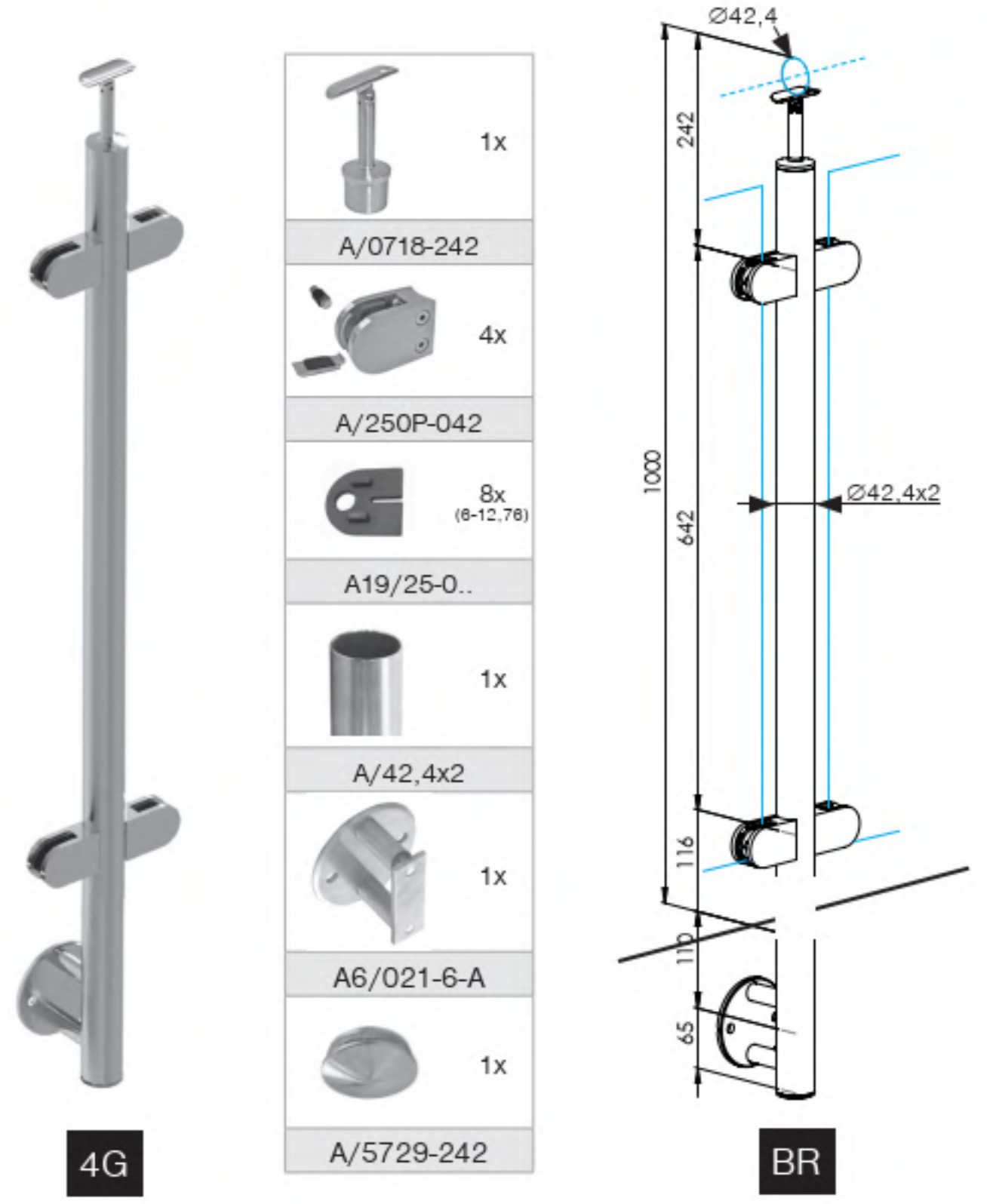
VR







Quality	Finish	glass t	art.
AISI304	satın	6-12,76	A-VR100-4G90-250P

new



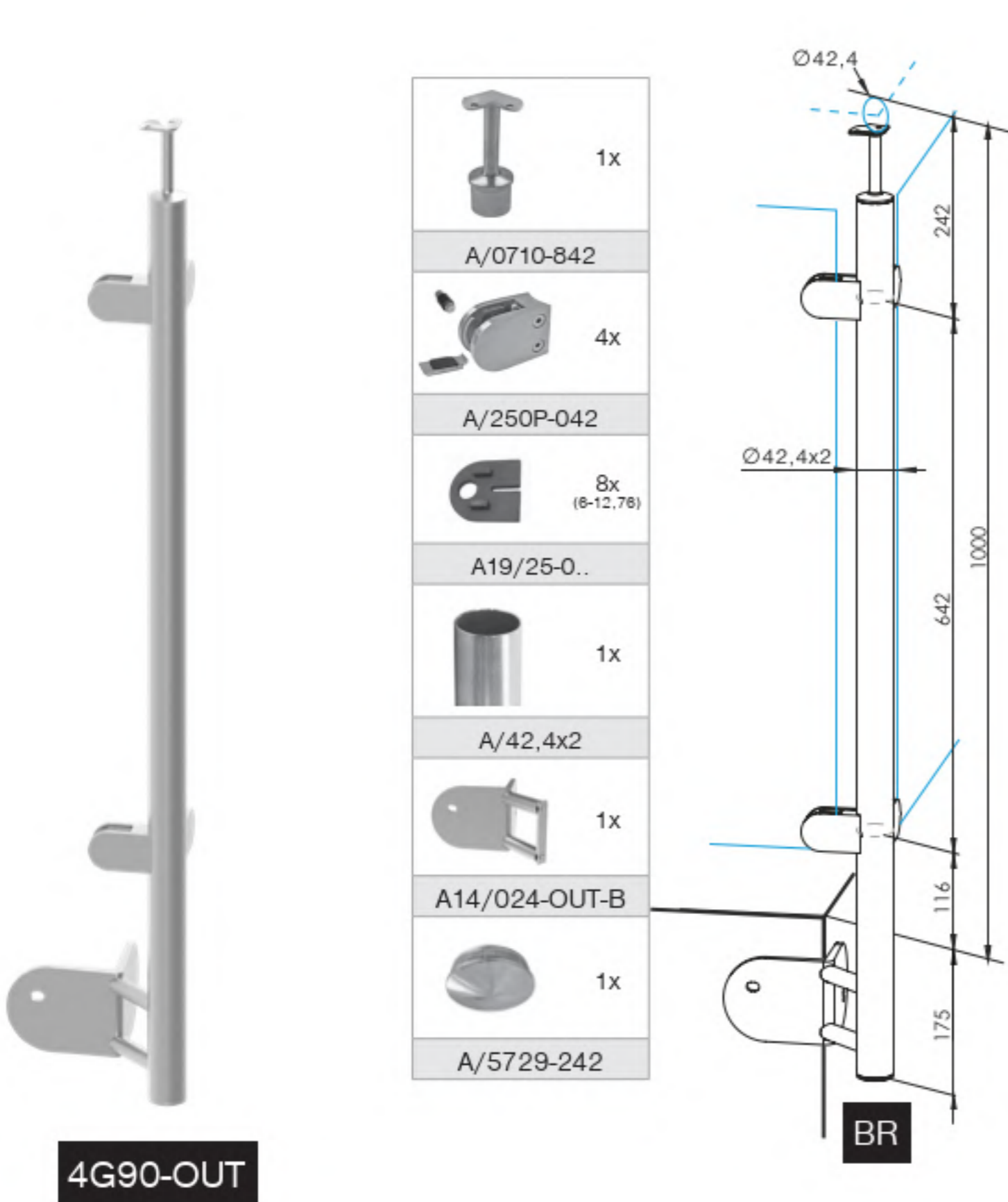
	1x
A/0718-242	
	2x
A/250P-042	
	4x (6-12,76)
A19/25-0..	
	1x
A/42,4x2	
	1x
A6/021-6-A	
	1x
A/5729-242	









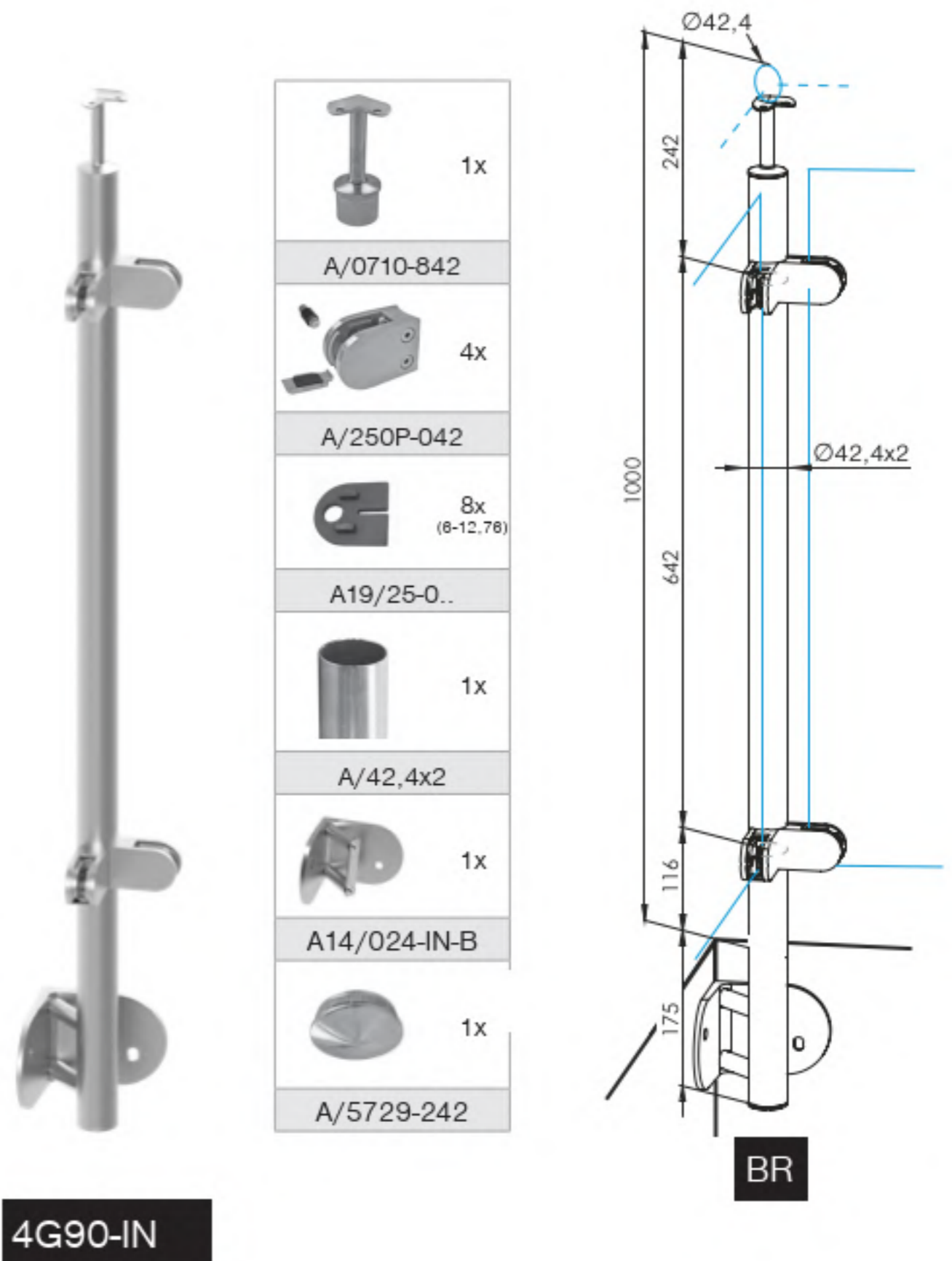
	1x
A/0718-242	
	4x
A/250P-042	
	8x (6-12,76)
A19/25-0..	
	1x
A/42,4x2	
	1x
A6/021-6-A	
	1x
A/5729-242	







Quality	Finish	glass t	art.
AISI304	satın	6-12,76	A-BR100-2GR-250P A-BR100-2GL-250P

Quality	Finish	glass t	art.
AISI304	satın	6-12,76	A-BR100-4G-250P



	1x
A/0710-842	
	4x
A/250P-042	
	8x (6-12,76)
A19/25-0..	
	1x
A/42,4x2	
	1x
A14/024-OUT-B	
	1x
A/5729-242	



	1x
A/0710-842	
	4x
A/250P-042	
	8x (6-12,76)
A19/25-0..	
	1x
A/42,4x2	
	1x
A14/024-IN-B	
	1x
A/5729-242	

Quality	Finish	glass t	art.
AISI304	satın	6-12,76	A-BR100-4G90-OUT-250P







new

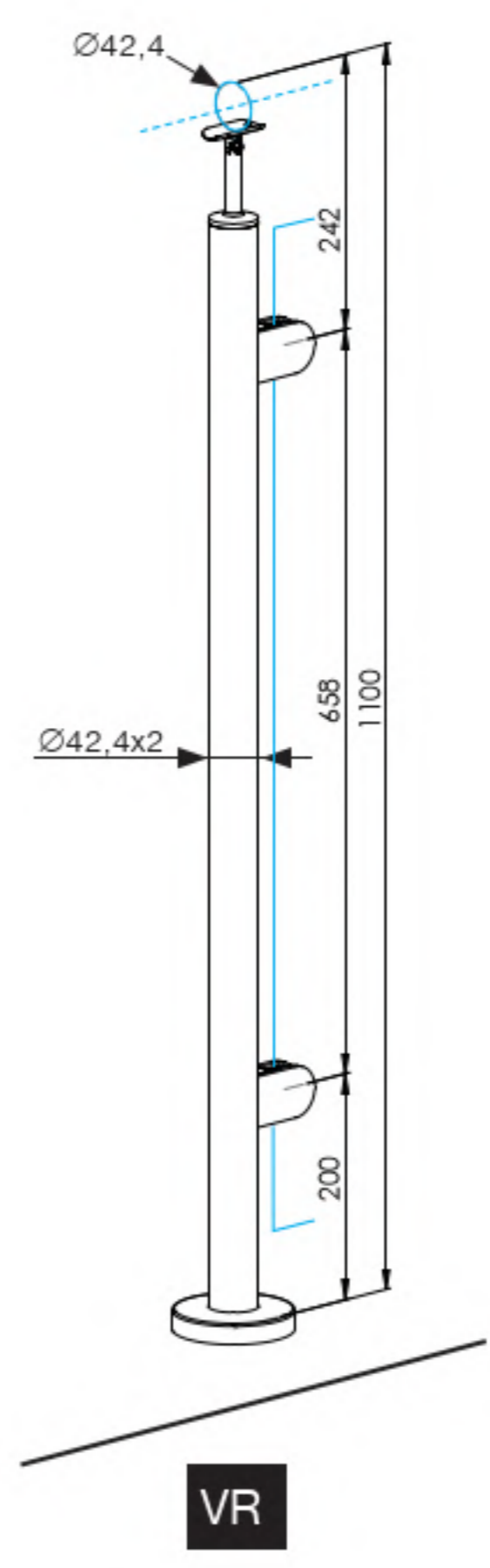
Quality	Finish	glass t	art.
AISI304	satın	6-12,76	A-BR100-4G90-IN-250P

new

MODEL ROUND D42









-  1x
A/0718-242
-  2x
A/2200-042
-  4x
A19/22-009
-  1x
A/42,4x2
-  1x
A/0512-042
-  1x
A/0940-042-N

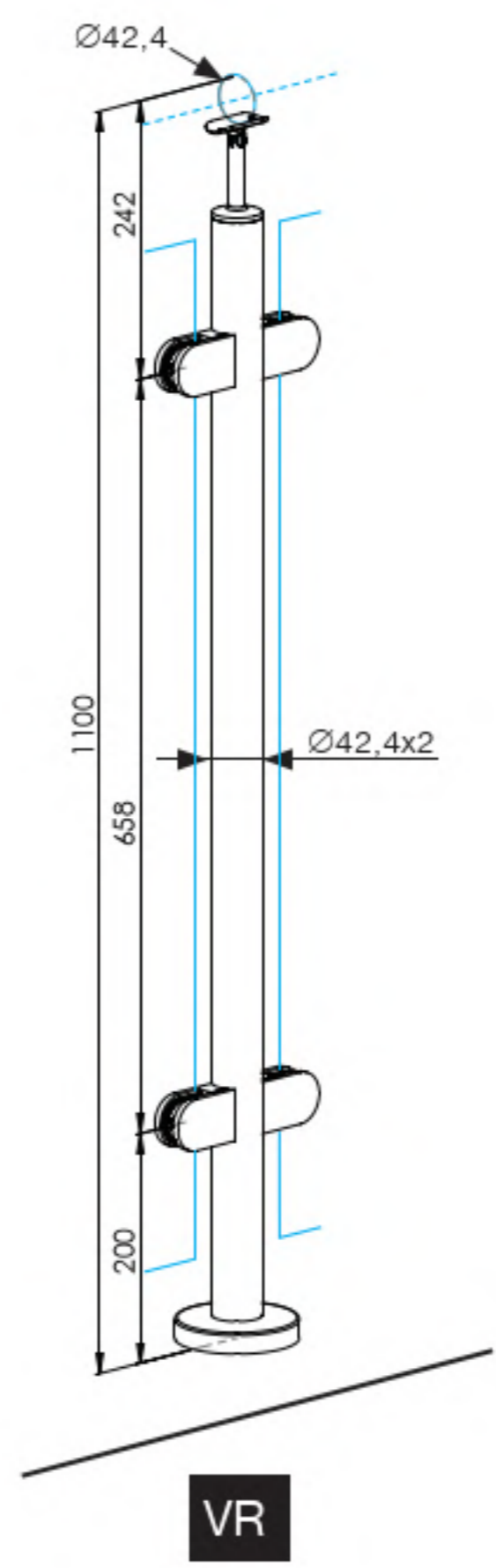


Quality	Finish	glass t	art.
AISI304	satın	8,76	A-VR110-2GR A-VR110-2GL
AISI316	satın	8,76	A14-VR110-2GR A14-VR110-2GL

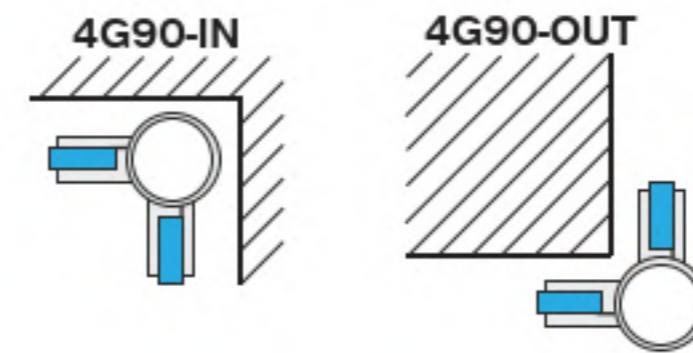
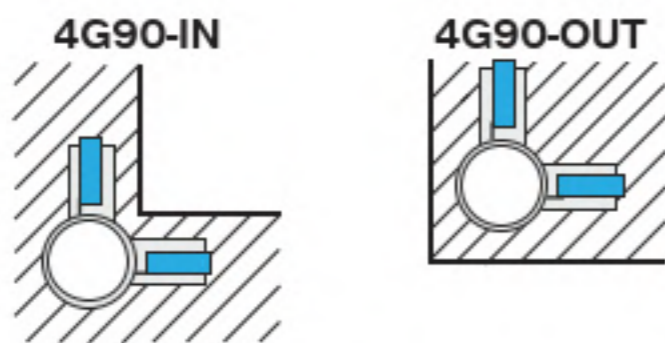
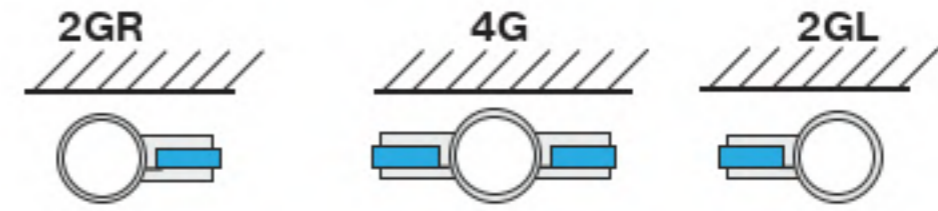
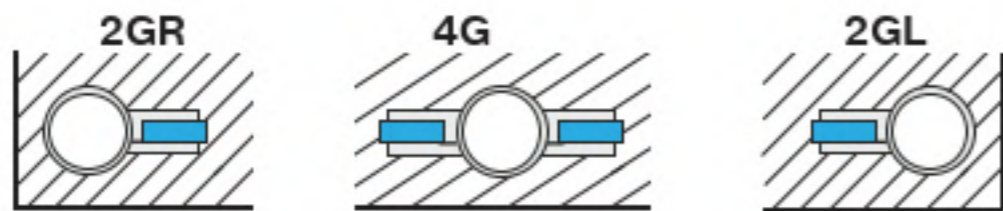
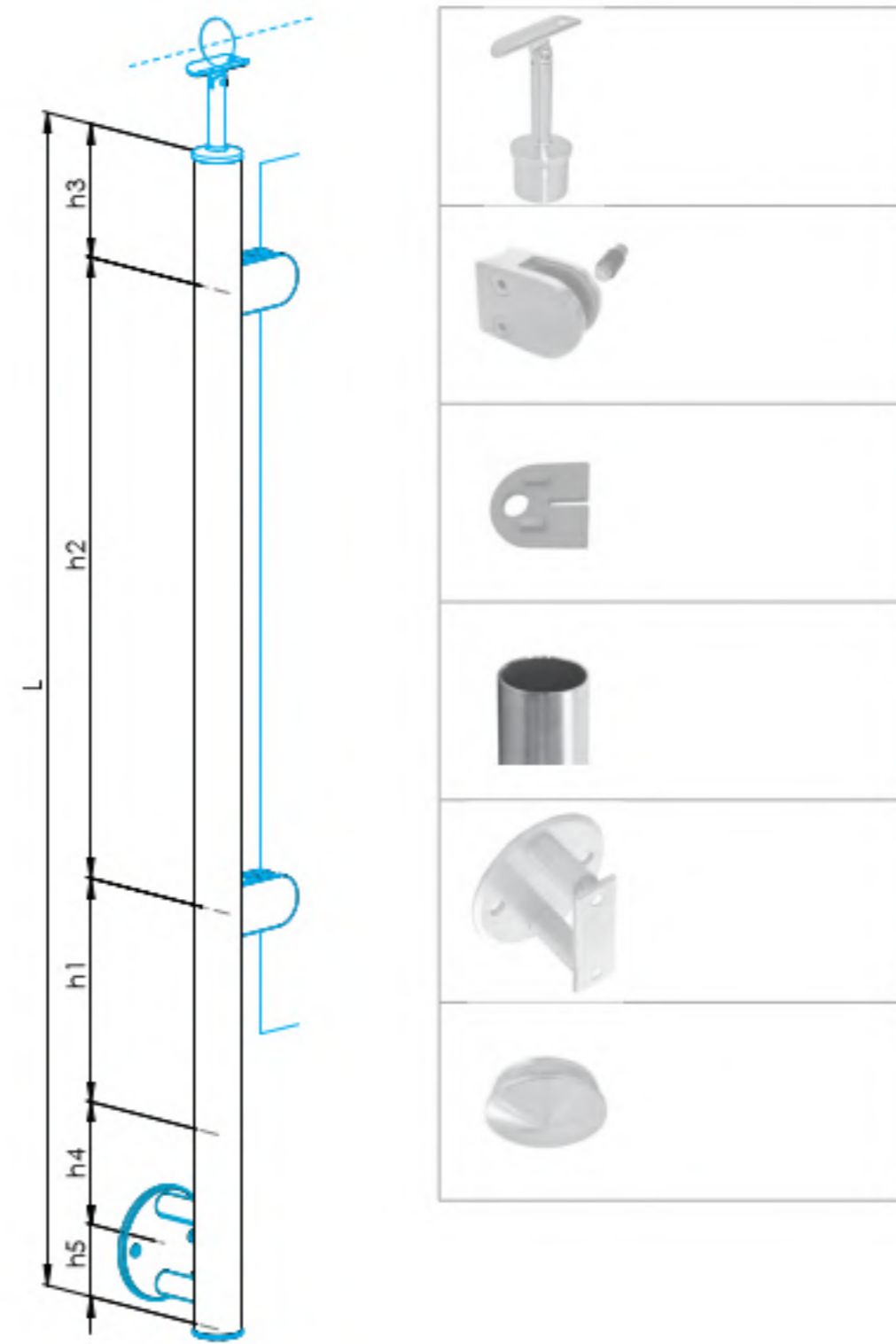
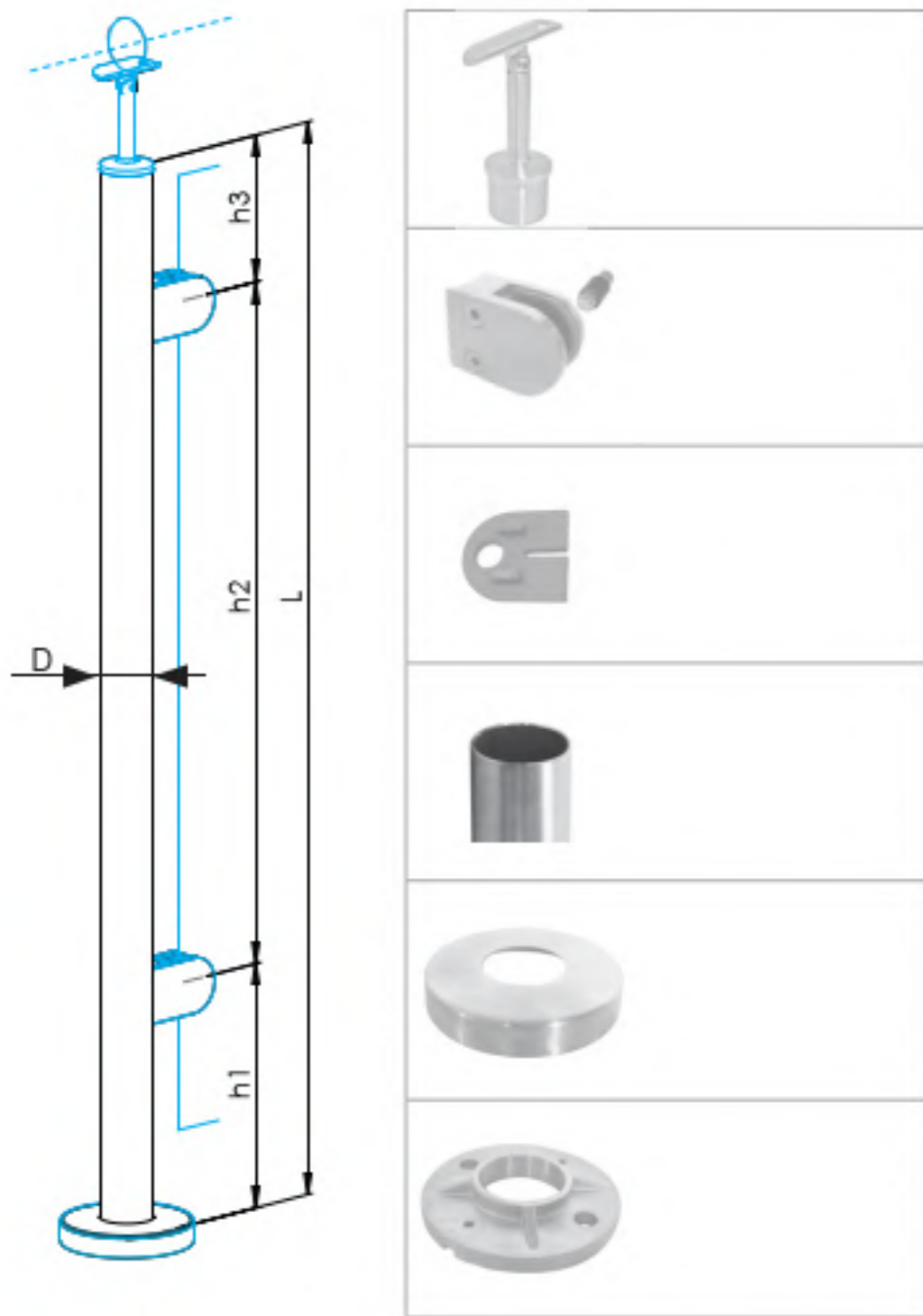
new



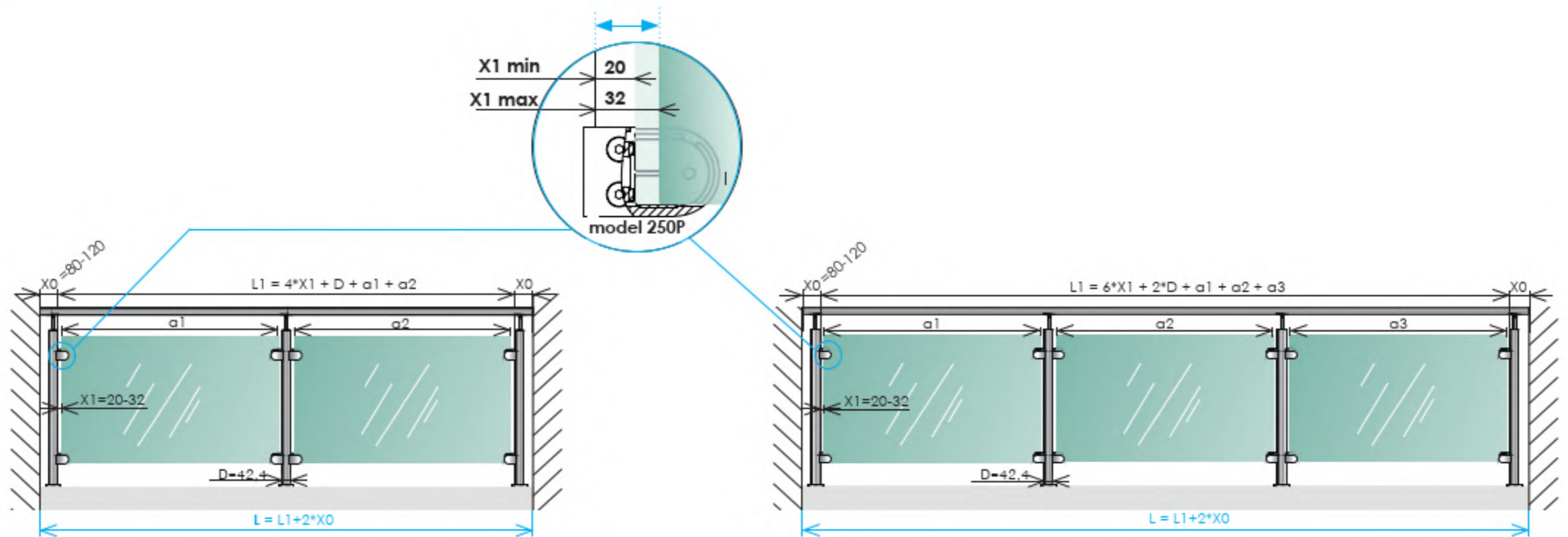
-  1x
A/071...
-  4x
A/2200-042
-  8x
A19/22-009
-  1x
A/42,4x2
-  1x
A/0512-042
-  1x
A/0940-042-N



Quality	Finish	glass t	art.
AISI304	satın	8,76	A-VR110-4G A-VR110-4G90



Quality	Finish	D	art.	L	h1	h2	h3	h4	h5	2GR	2GL	4G	4G90-IN	4G90-OUT	Pcs
AISI304	satin	42,4x2	ATYP-INOX A/42,4												
			ATYP-INOX A/42,4-L												
AISI316		ATYP-INOX A14/42,4													
AISI304	natural	40x40	ATYP-INOX A/40x40												
AISI316			ATYP-INOX A14/40x40												
Beech		ATYP-INOX WB/40x40													
		50	ATYP-INOX WB/D50												
		40x40	ATYP-INOX WD/40x40												
Oak		50	ATYP-INOX WD/D50												



		2-fields											
2*X0 (mm)	L (mm)	a											
	L1 min / L1 max (mm)	500	600	700	800	825	850	875	900	925	950	975	1000
160 - 240	1723/1771				2								
	1748/1796			1	1								
	1773/1821				2								
	1798/1846				1	1							
	1823/1871					2							
	1848/1896					1	1						
	1873/1921						2						
	1898/1946						1	1					
	1923/1971							2					
	1948/1996							1	1				
	1973/2021								2				
	1998/2046								1	1			
	2023/2071									2			
	2048/2096									1	1		
	2073/2121										2		
	2098/2146										1	1	
	2123/2171												2

		3-fields											
2*X0 (mm)	L (mm)	a											
	L1 min / L1 max (mm)	500	600	700	800	825	850	875	900	925	950	975	1000
160 - 240	2156/2228											1	
	2181/2253												1
	2206/2278												
	2231/2303				2			1					
	2256/2328								1				
	2281/2353									1			
	2306/2378										1		
	2356/2428											1	
	2406/2478												1
	2456/2528												
	2506/2578											1	
	2556/2628												1
	2606/2678												
	2631/2703												
	2681/2753												
	2706/2778												
	2731/2803												
	2756/2828												
	2781/2853												
	2806/2878												
	2831/2903												
	2856/2928												
	2881/2953												
	2906/2978												
	2931/3003												
	2956/3058												
	2981/3053												
	3006/3078												
	3031/3103												
	3056/3128												
	3081/3153												
	3106/3178												
3131/3203													
3156/3228													
3181/3253													
3206/3278													



art.
A-VR100-2G-250P



art.
A-VR100-4G-250P



art.
A-VR100-4G90-250P



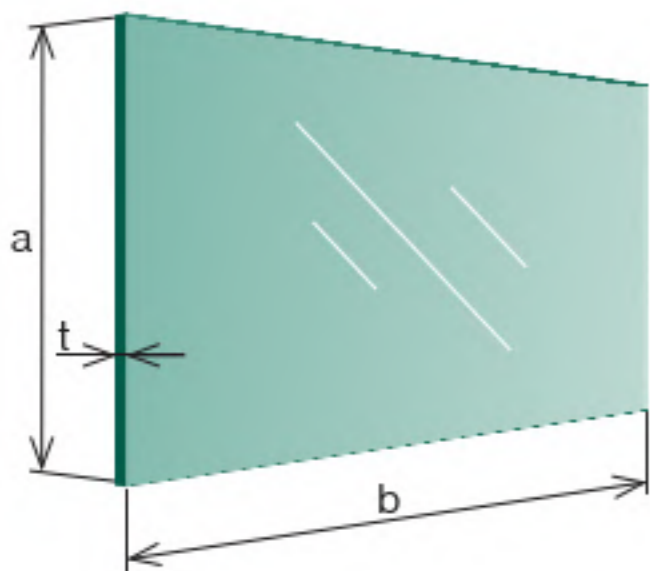
art.
A-BR100-2GR-250P
A-BR100-2GL-250P



art.
A-BR100-4G-250P



art.
A-BR100-4G90-OUT-250P
A-BR100-4G90-IN-250P



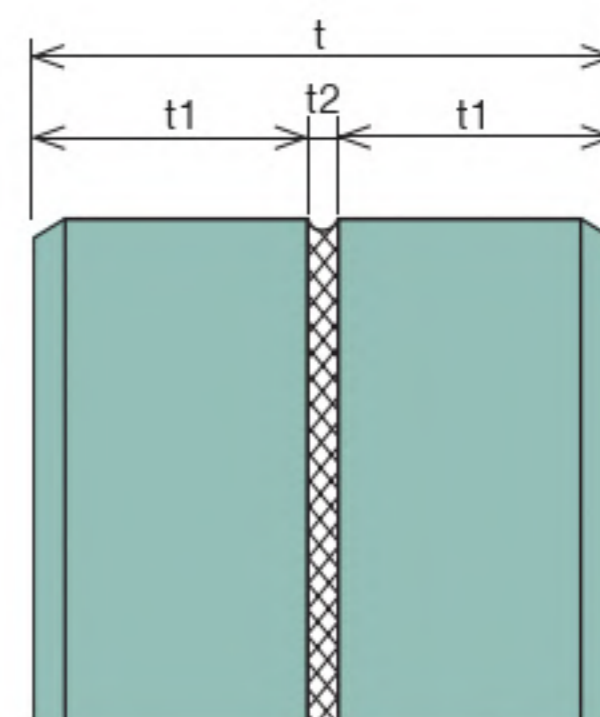
GLASSES IN STOCK

Quality	art.	t	a	b				
VSG/ESG 4.4.2	GS/8,76-75x40-VSG/ESG	8,76		400	new			
	GS/8,76-75x50-VSG/ESG			500	new			
	GS/8,76-75x60-VSG/ESG			600	new			
	GS/8,76-75x70-VSG/ESG			700				
	GS/8,76-75x80-VSG/ESG			800				
	GS/8,76-75x82,5-VSG/ESG			825	new			
	GS/8,76-75x85-VSG/ESG			850	new			
	GS/8,76-75x87,5-VSG/ESG			875	new			
	GS/8,76-75x90-VSG/ESG			900				
	GS/8,76-75x92,5-VSG/ESG			925	new			
	GS/8,76-75x95-VSG/ESG			950	new			
	GS/8,76-75x97,5-VSG/ESG			975	new			
	GS/8,76-75x100-VSG/ESG			1000				
	GS/10,76-75x50-VSG/ESG			10,76	750	500	new	
	GS/10,76-75x60-VSG/ESG					600	new	
GS/10,76-75x70-VSG/ESG	700	new						
GS/10,76-75x80-VSG/ESG	800	new						
GS/10,76-75x82,5-VSG/ESG	825	new						
GS/10,76-75x85-VSG/ESG	850	new						
GS/10,76-75x87,5-VSG/ESG	875	new						
GS/10,76-75x90-VSG/ESG	900	new						
GS/10,76-75x92,5-VSG/ESG	925	new						
GS/10,76-75x95-VSG/ESG	950	new						
GS/10,76-75x97,5-VSG/ESG	975	new						
GS/10,76-75x100-VSG/ESG	1000	new						
GS/10,76-75x110-VSG/ESG	1100							
GS/10,76-75x120-VSG/ESG	1200							
VSG/ESG 6.6.2	GS/12,76-100x60-VSG/ESG	12,76	1000			600		
	GS/12,76-100x70-VSG/ESG			700				
	GS/12,76-100x80-VSG/ESG			800				
	GS/12,76-100x90-VSG/ESG			900				
	GS/12,76-100x95-VSG/ESG			950				
	GS/12,76-100x100-VSG/ESG			1000				
	GS/12,76-110x60-VSG/ESG			600	new			
	GS/12,76-110x70-VSG/ESG			700	new			
	GS/12,76-110x80-VSG/ESG			800	new			
	GS/12,76-110x90-VSG/ESG			900	new			
	GS/12,76-110x95-VSG/ESG			950	new			
	GS/12,76-110x100-VSG/ESG			1000	new			
	VSG/ESG 8.8.2			GS/16,76-100x40-VSG/ESG	16,76	1000	400	
				GS/16,76-100x50-VSG/ESG			500	
				GS/16,76-100x60-VSG/ESG			600	
GS/16,76-100x70-VSG/ESG		700						
GS/16,76-100x80-VSG/ESG		800						
GS/16,76-100x82,5-VSG/ESG		825	new					
GS/16,76-100x85-VSG/ESG		850	new					
GS/16,76-100x87,5-VSG/ESG		875	new					
GS/16,76-100x90-VSG/ESG		900						
GS/16,76-100x92,5-VSG/ESG		925	new					
GS/16,76-100x95-VSG/ESG		950						
GS/16,76-100x97,5-VSG/ESG		975	new					
GS/16,76-100x100-VSG/ESG		1000						

Quality	art.	t	a	b	
VSG/ESG 8.8.2	GS/16,76-110x40-VSG/ESG	16,76	1100	400	new
	GS/16,76-110x50-VSG/ESG			500	new
	GS/16,76-110x60-VSG/ESG			600	
	GS/16,76-110x70-VSG/ESG			700	
	GS/16,76-110x80-VSG/ESG			800	
	GS/16,76-110x82,5-VSG/ESG			825	new
	GS/16,76-110x85-VSG/ESG			850	new
	GS/16,76-110x87,5-VSG/ESG			875	new
	GS/16,76-110x90-VSG/ESG			900	
	GS/16,76-110x92,5-VSG/ESG			925	new
	GS/16,76-110x95-VSG/ESG			950	
	GS/16,76-110x97,5-VSG/ESG			975	new
	GS/16,76-110x100-VSG/ESG			1000	
	GS/16,76-110x110-VSG/ESG			1100	
	GS/16,76-120x40-VSG/ESG			400	
	GS/16,76-120x50-VSG/ESG			500	
	GS/16,76-120x60-VSG/ESG			600	
	GS/16,76-120x70-VSG/ESG			700	
	GS/16,76-120x80-VSG/ESG			800	
	GS/16,76-120x82,5-VSG/ESG			825	new
GS/16,76-120x85-VSG/ESG	850	new			
GS/16,76-120x87,5-VSG/ESG	875	new			
GS/16,76-120x90-VSG/ESG	900				
GS/16,76-120x92,5-VSG/ESG	925	new			
GS/16,76-120x95-VSG/ESG	950				
GS/16,76-120x97,5-VSG/ESG	975	new			
GS/16,76-120x100-VSG/ESG	1000				
GS/16,76-120x110-VSG/ESG	1100				
GS/16,76-120x120-VSG/ESG	1200	new			
ULTRA CLEAR VSG/ESG 8.8.4	GSU/17,52-110x80-VSG/ESG	17,52	1100	800	new
	GSU/17,52-110x82,5-VSG/ESG			825	new
	GSU/17,52-110x85-VSG/ESG			850	new
	GSU/17,52-110x87,5-VSG/ESG			875	new
	GSU/17,52-110x90-VSG/ESG			900	new
	GSU/17,52-110x92,5-VSG/ESG			925	new
	GSU/17,52-110x95-VSG/ESG			950	new
	GSU/17,52-110x97,5-VSG/ESG			975	new
	GSU/17,52-110x100-VSG/ESG			1000	new
	GSU/17,52-110x110-VSG/ESG			1100	new
	GSU/17,52-110x120-VSG/ESG			1200	new
	GSU/17,52-110x130-VSG/ESG			1300	new
	GSU/17,52-110x140-VSG/ESG			1400	new
	GSU/17,52-110x150-VSG/ESG			1500	new






VSG Glass	4.4.1	4.4.2	5.5.1	5.5.2	6.6.1	6.6.2	8.8.2	8.8.4	8.8.8.2.2
t1	2x4	2x4	2x5	2x5	2x6	2x6	2x8	2x8	3x8
t2	0,38	0,76	0,38	0,76	0,38	0,76	0,76	1,52	2x0,76
t	8,38	8,76	10,38	10,76	12,38	12,76	16,76	17,52	25,52

Glass	FLOAT, ESG								
t1 (mm)	3	4	5	6	8	10	12	15	19
Tolerance (± mm)	0,2	0,2	0,2	0,2	0,3	0,3	0,3	0,5	1,0
Weight (kg/m ²)	7,5	10	12,5	15	20	25	30	37,5	47,5

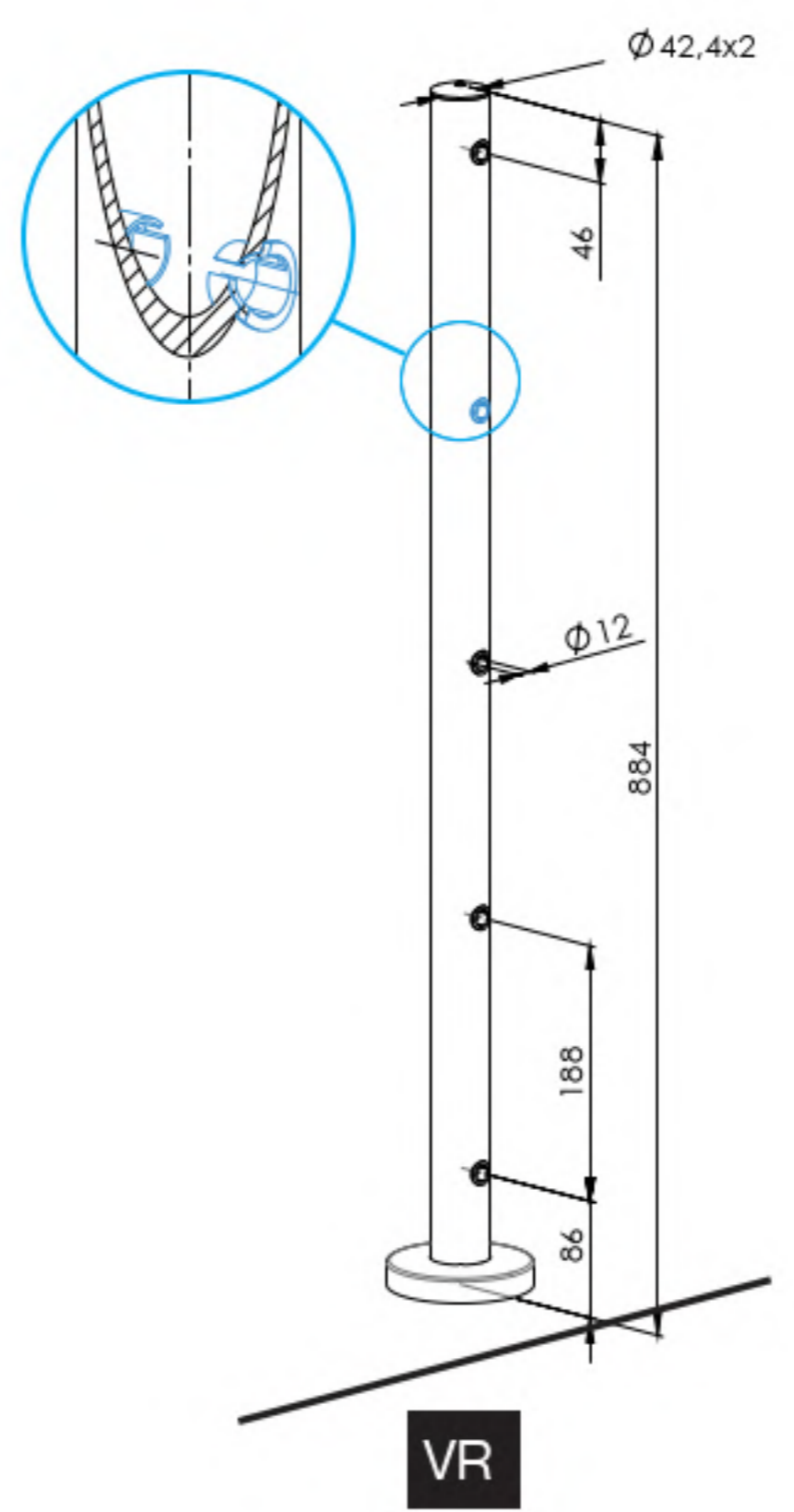









MODEL ROUND D42








-  1x
A/5735-242-R
-  10x
A12/12-PVC
-  1x
A/42,4x2...
-  1x
A/0512-042...
-  1x
A6/100x42x6-S

Quality	Finish	art.
AISI304	satın	A-VR100-5D12-PVC

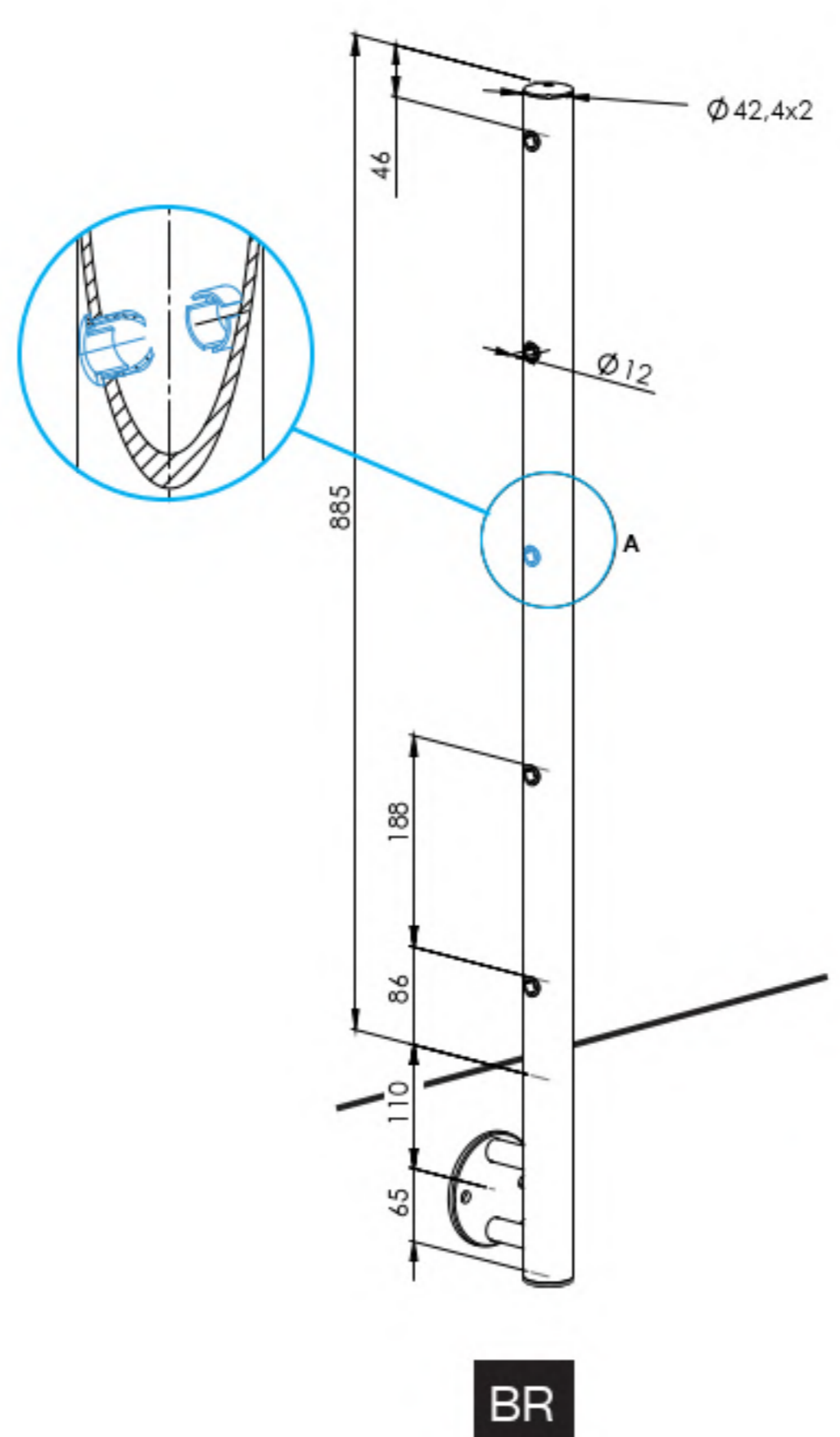









-  A-DIN 7991-A2 M6x8
-  A/1800-04...
-  A14/42-55-C
-  A/1881-0...
-  A6/42-55-35-B
-  A/0811...
-  A/0812...



-  1x
A/5735-242-R
-  10x
A12/12-PVC
-  1x
A/42,4x2...
-  1x
A6/021-6-A...
-  1x
A/5729-242...

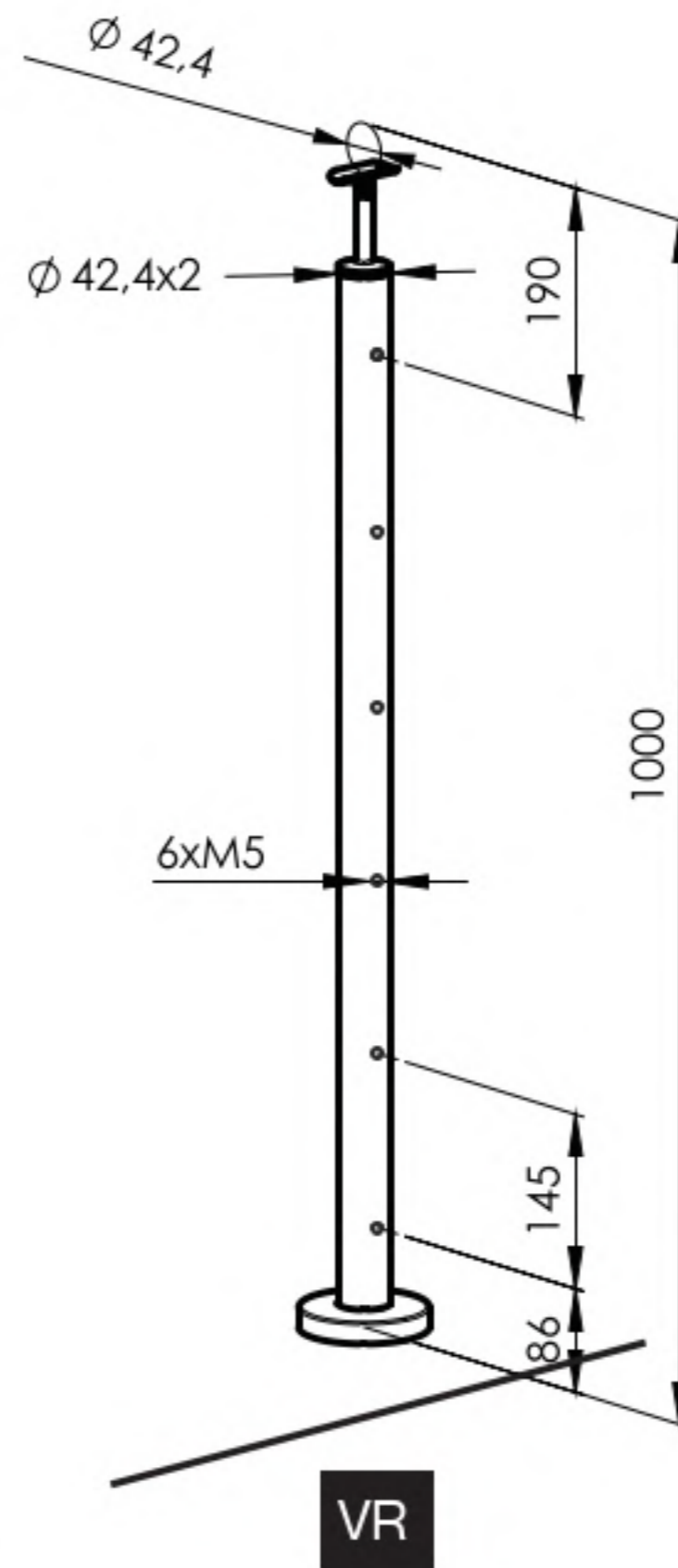
Quality	Finish	art.
AISI304	satın	A-BR100-5D12-PVC



-  A-DIN 7991-A2 M6x8
-  A/1800-04...
-  A14/42-55-C
-  A/1881-0...
-  A6/42-55-35-B
-  A/0811...
-  A/0812...






	1x
A/0718-242	
	1x
A/42,4x2...	
	6x
A-FTT-M5	
	1x
A/0512-042	
	1x
A/0940-042-N	

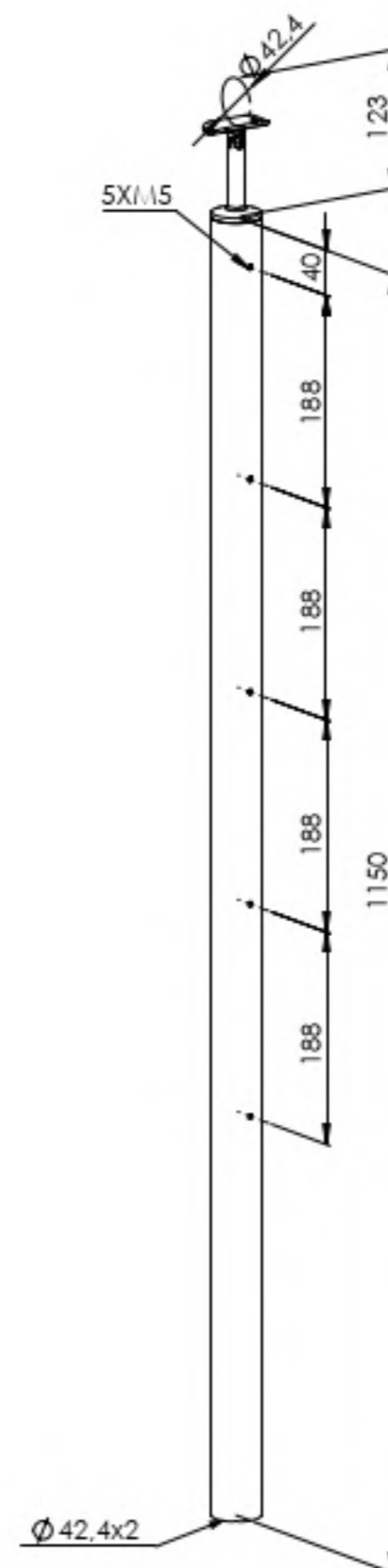


Quality	Finish	art.
AISI304	satín	A-VR100-6M5

new



	1x
A/0718-242	
	1x
A/42,4x2...	
	5x
A-FTT-M5	








Quality	Finish	art.
AISI304	satín	A-BX100-5xM5

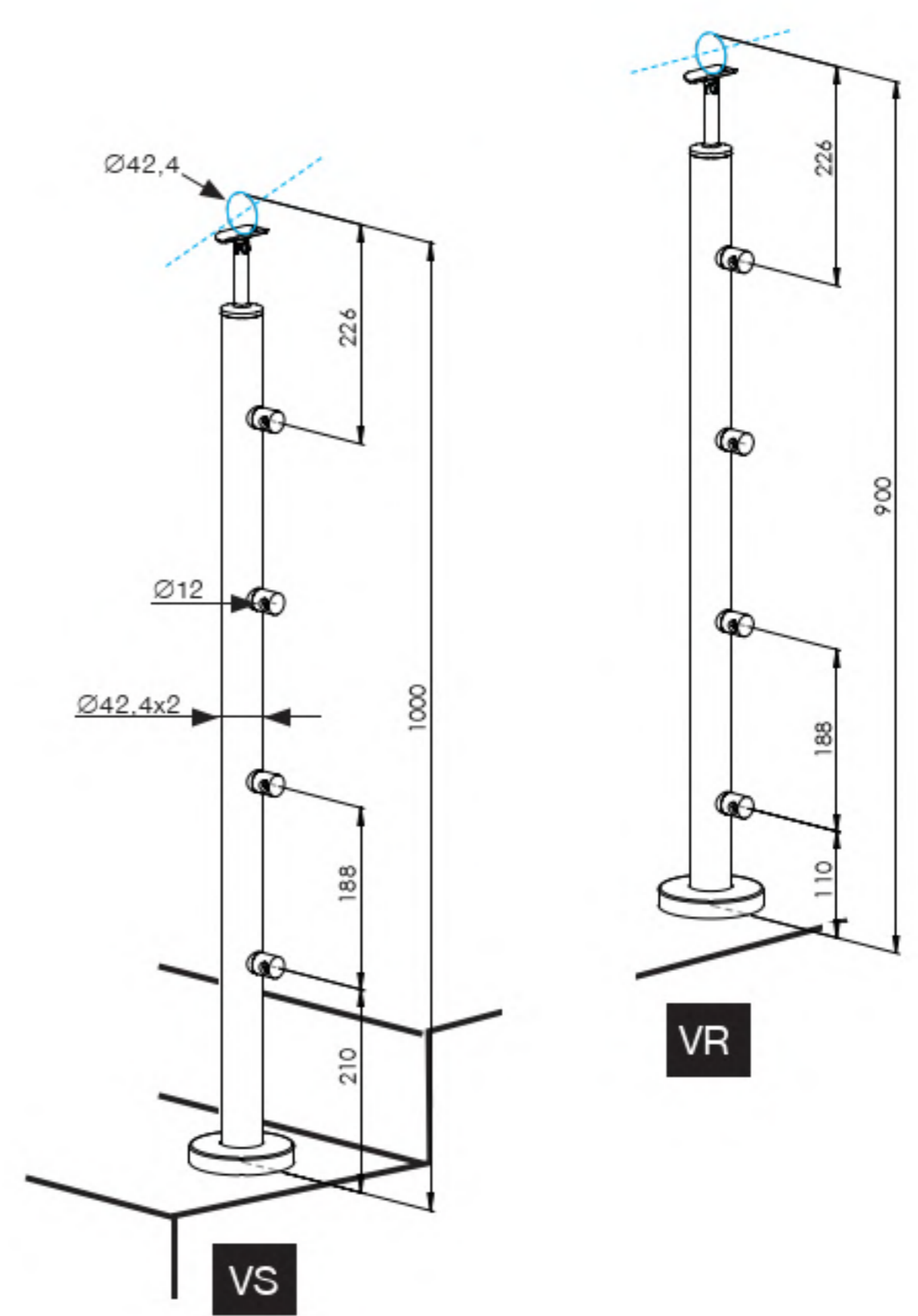
new






MODEL ROUND D42



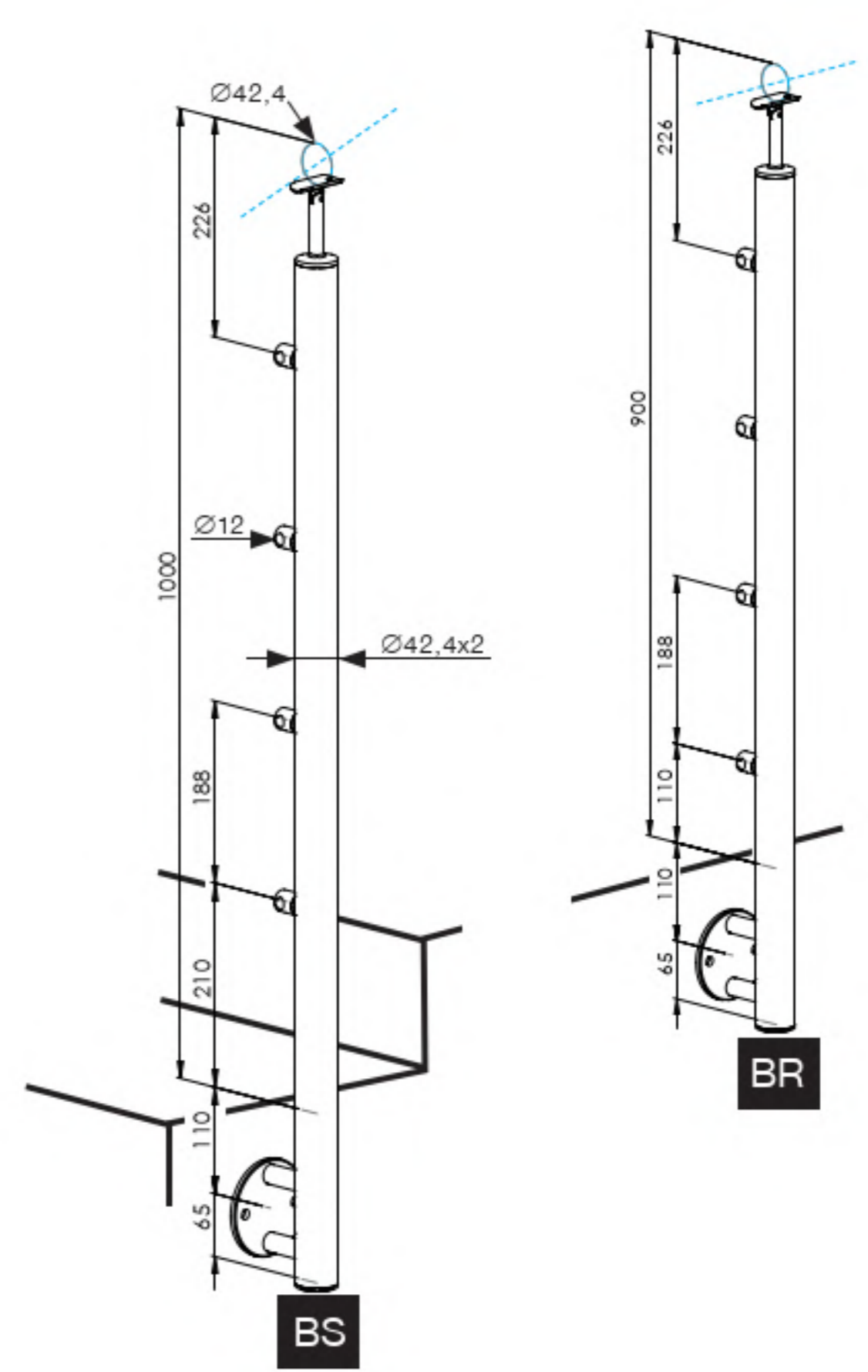
-  1x
A/0718-242
-  4x
A/0830-042
-  1x
A/42,4x2...
-  1x
A/0512-042
-  1x
A/0940-042-N

Quality	Finish	art.
AISI304	satin	A-VR90-4D12
		A-VS90-4D12
	polish	A-VR90-4D12-L
		A-VS90-4D12-L
AISI316	satin	A14-VR90-4D12
		A14-VS90-4D12




-  1x
A/0718-242
-  4x
A/0830-042
-  1x
A/42,4x2...
-  1x
A6/021-6-A
-  1x
A/5729-242

Quality	Finish	art.
AISI304	satin	A-BR90-4D12
		A-BS90-4D12
	polish	A-BR90-4D12-L
		A-BS90-4D12-L
AISI316	satin	A14-BR90-4D12
		A14-BS90-4D12



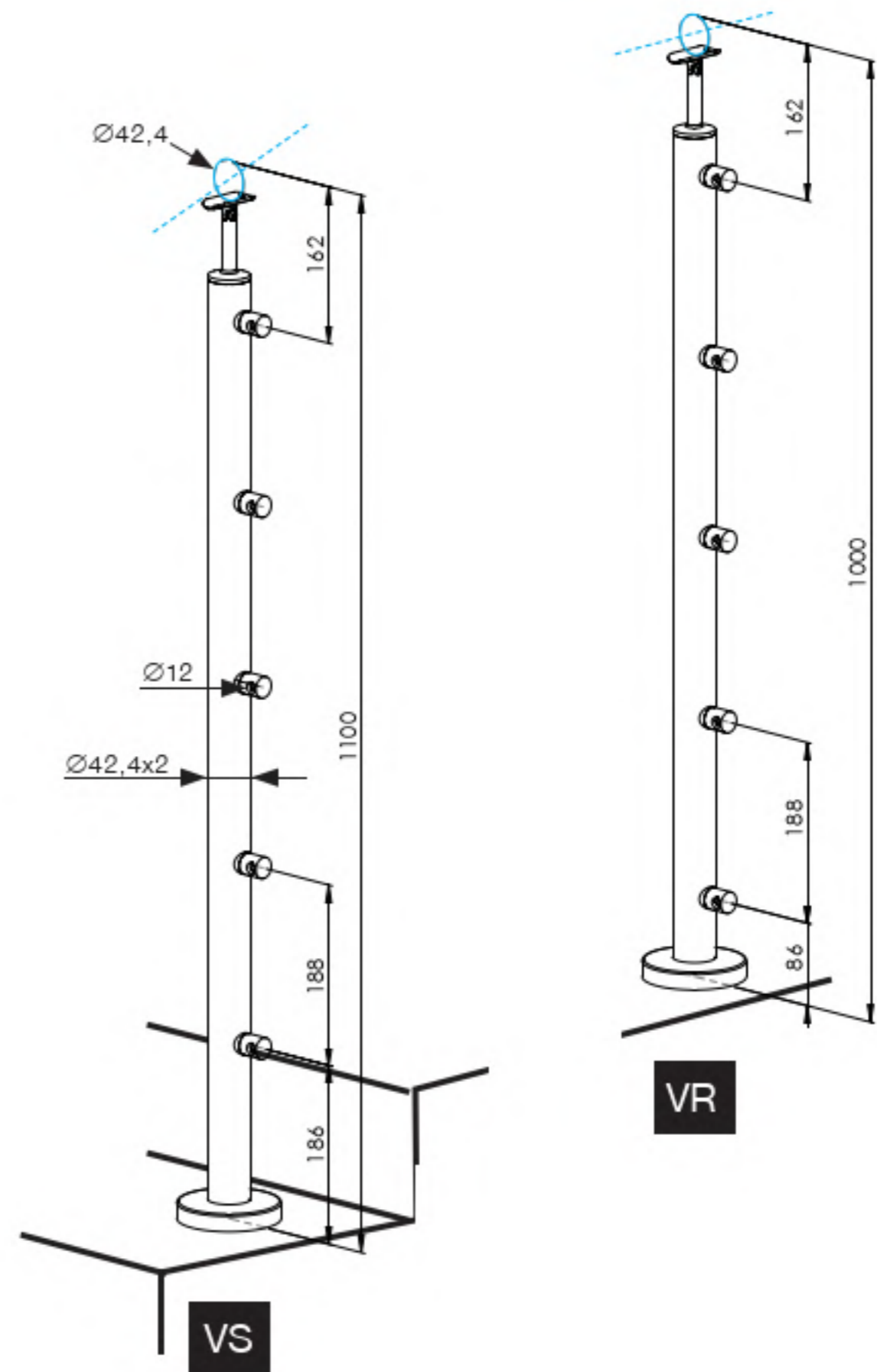
MODEL ROUND D42








-  1x
A/0718-242
-  5x
A/0830-042
-  1x
A/42,4x2...
-  1x
A/0512-042
-  1x
A/0940-042-N

Quality	Finish	art.
AISI304	satin	A-VR100-5D 12
	PVD Black	A-PVD-VR100-5D 12
	satin	A-VR100-5D 12-B
	satin	A-VS100-5D 12
AISI316	polish	A-VR100-5D 12-L
	polish	A-VS100-5D 12-L
AISI316	satin	A14-VR100-5D 12
	satin	A14-VS100-5D 12

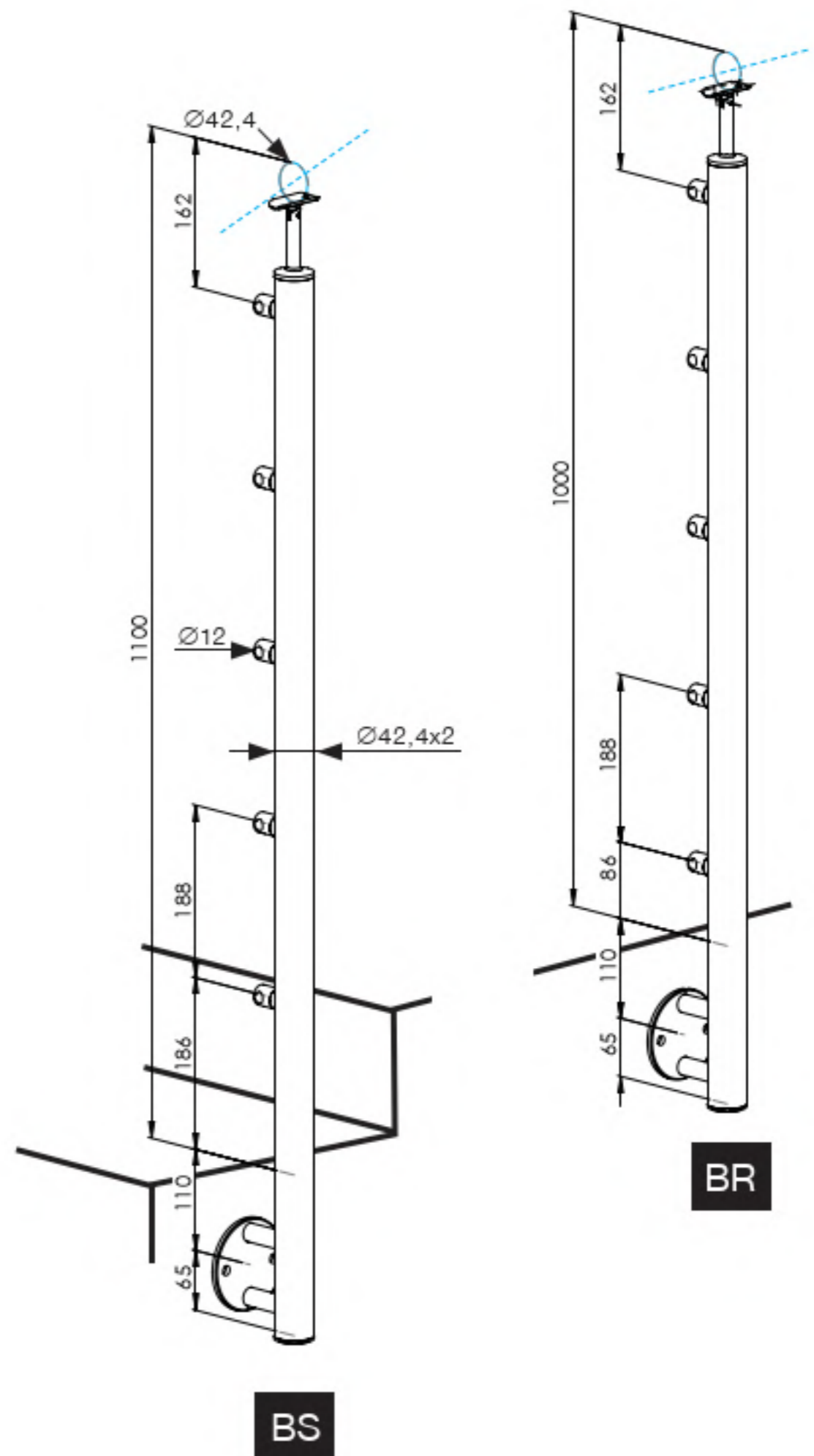
new



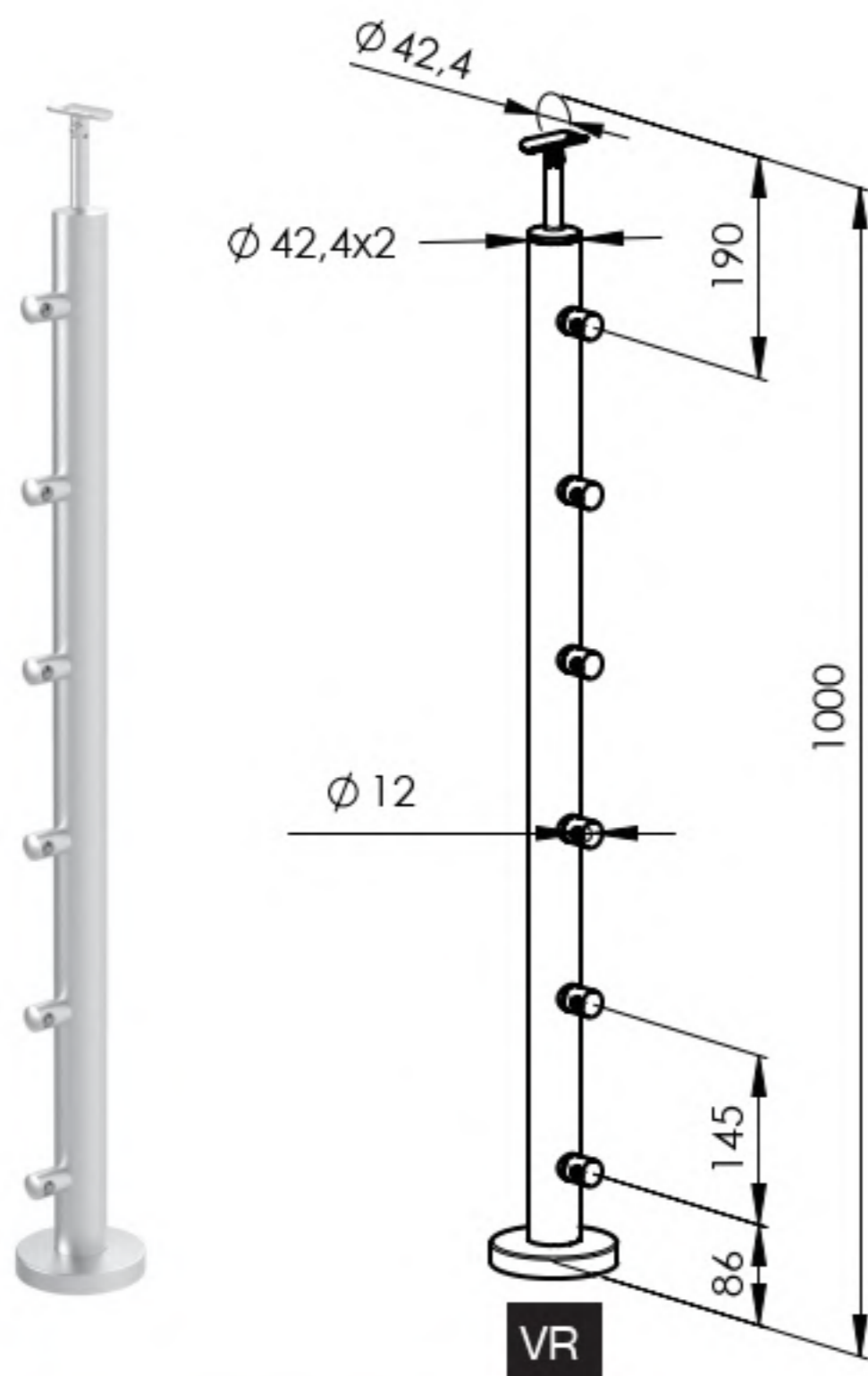
-  1x
A/0718-242
-  4x
A/0830-042
-  1x
A/42,4x2...
-  1x
A6/021-6-A
-  1x
A/5729-242

Quality	Finish	art.
AISI304	satin	A-BR100-5D 12
	PVD Black	A-PVD-BR100-5D 12
	satin	A-BS100-5D 12
AISI316	satin	A14-BR100-5D 12
	satin	A14-BS100-5D 12

new

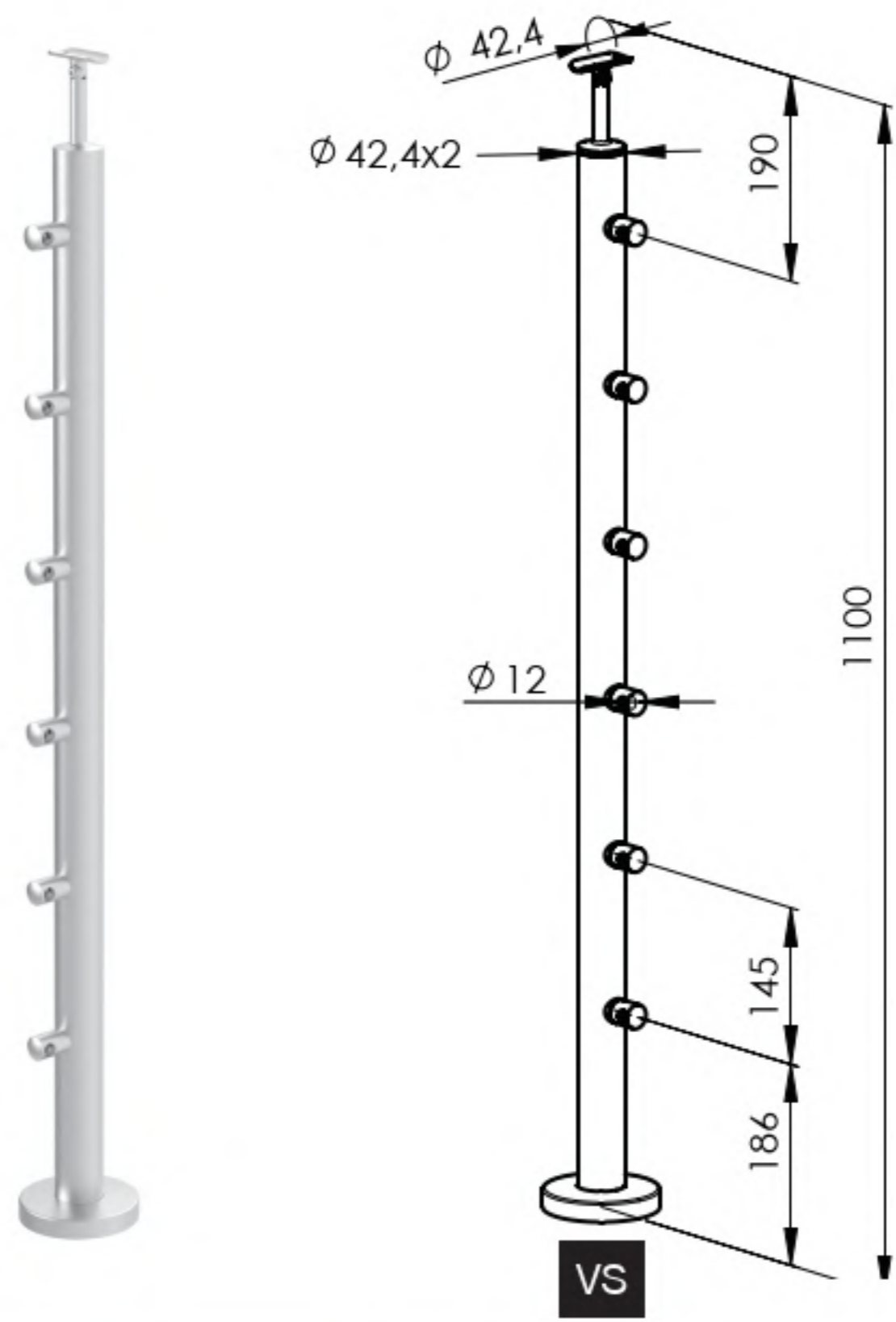


MODEL ROUND D42



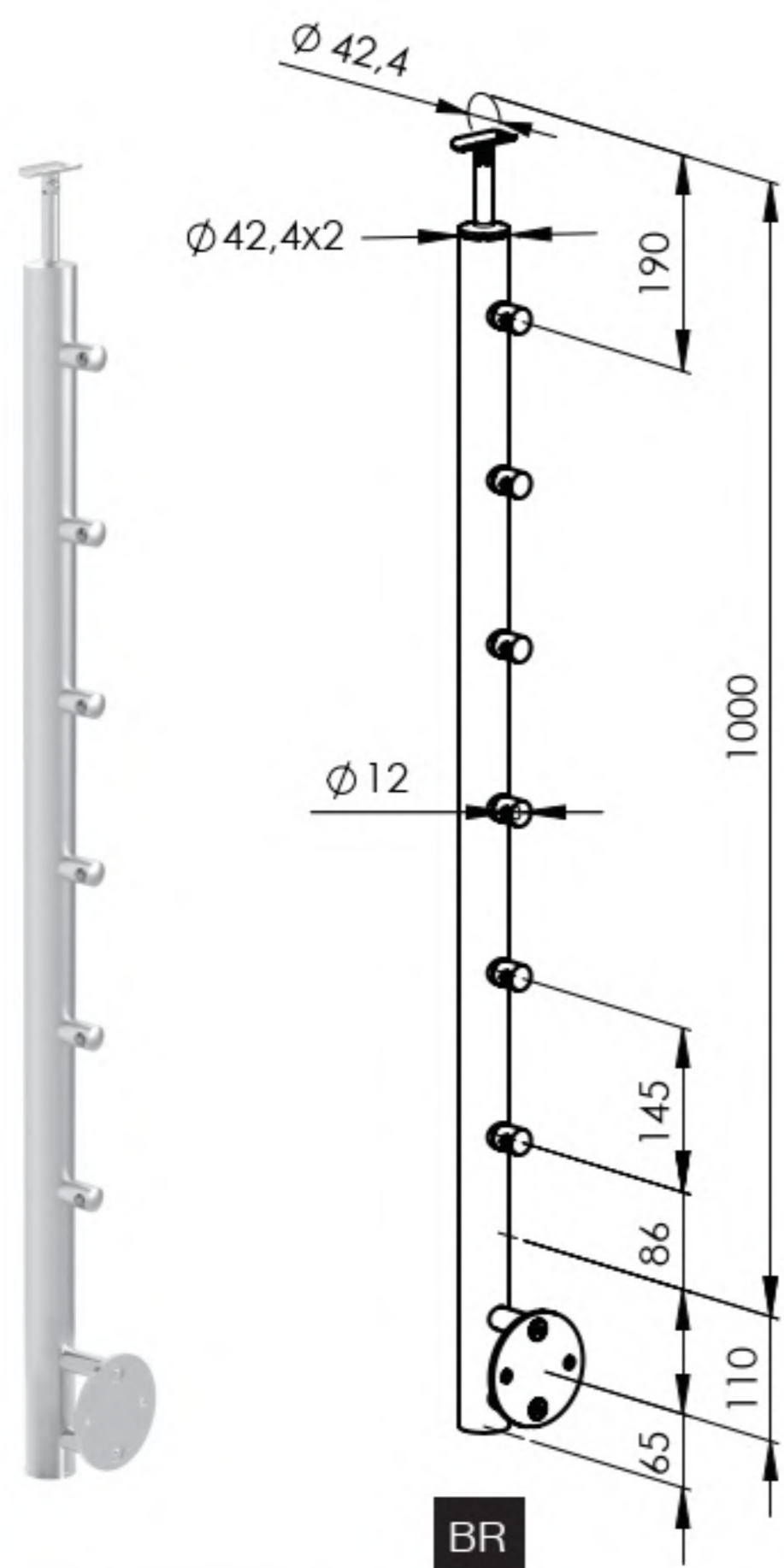
Quality	Finish	art.
AISI304	satın	A-VR100-6D12

new



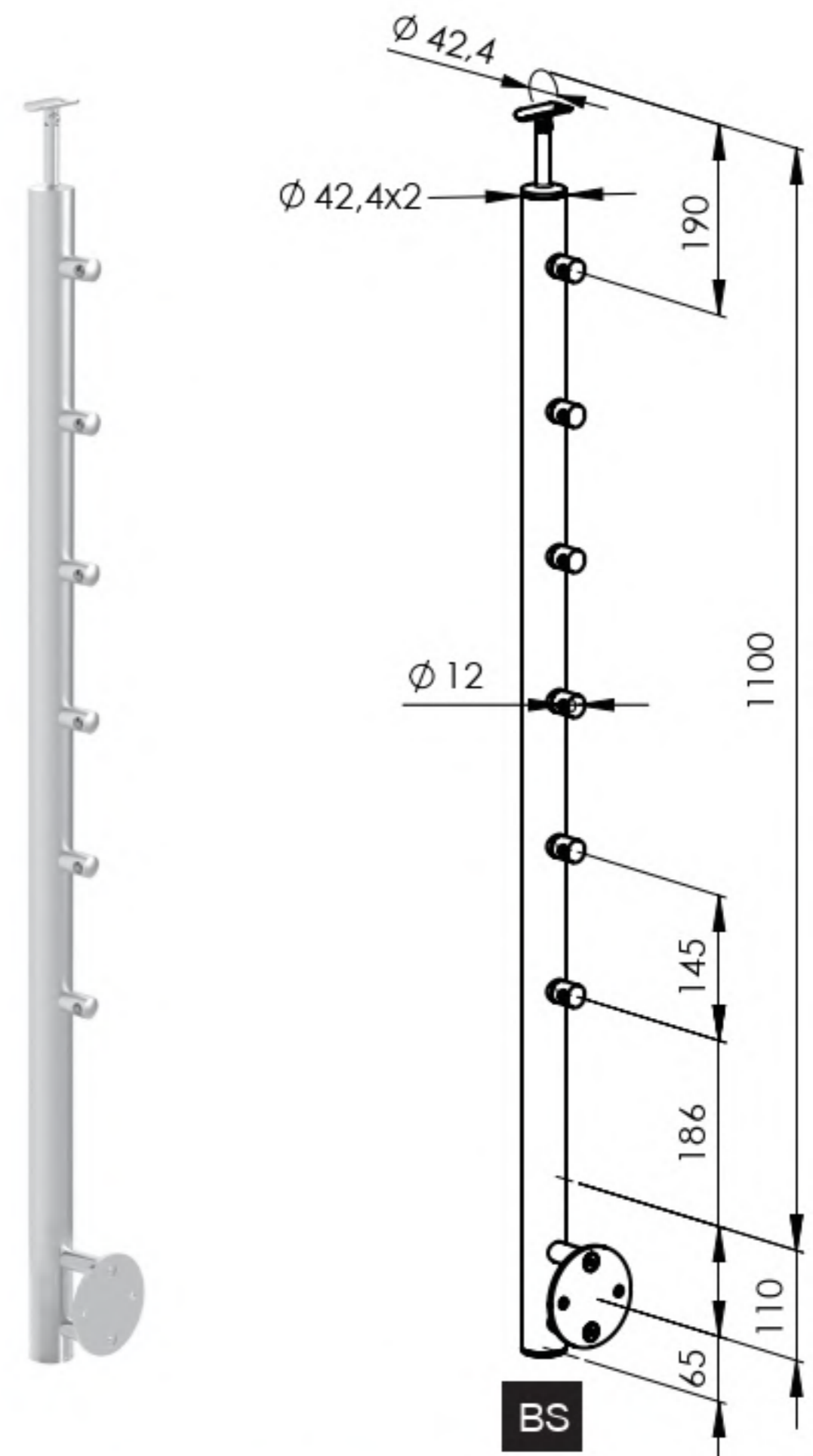
Quality	Finish	art.
AISI304	satın	A-VS100-6D12

new



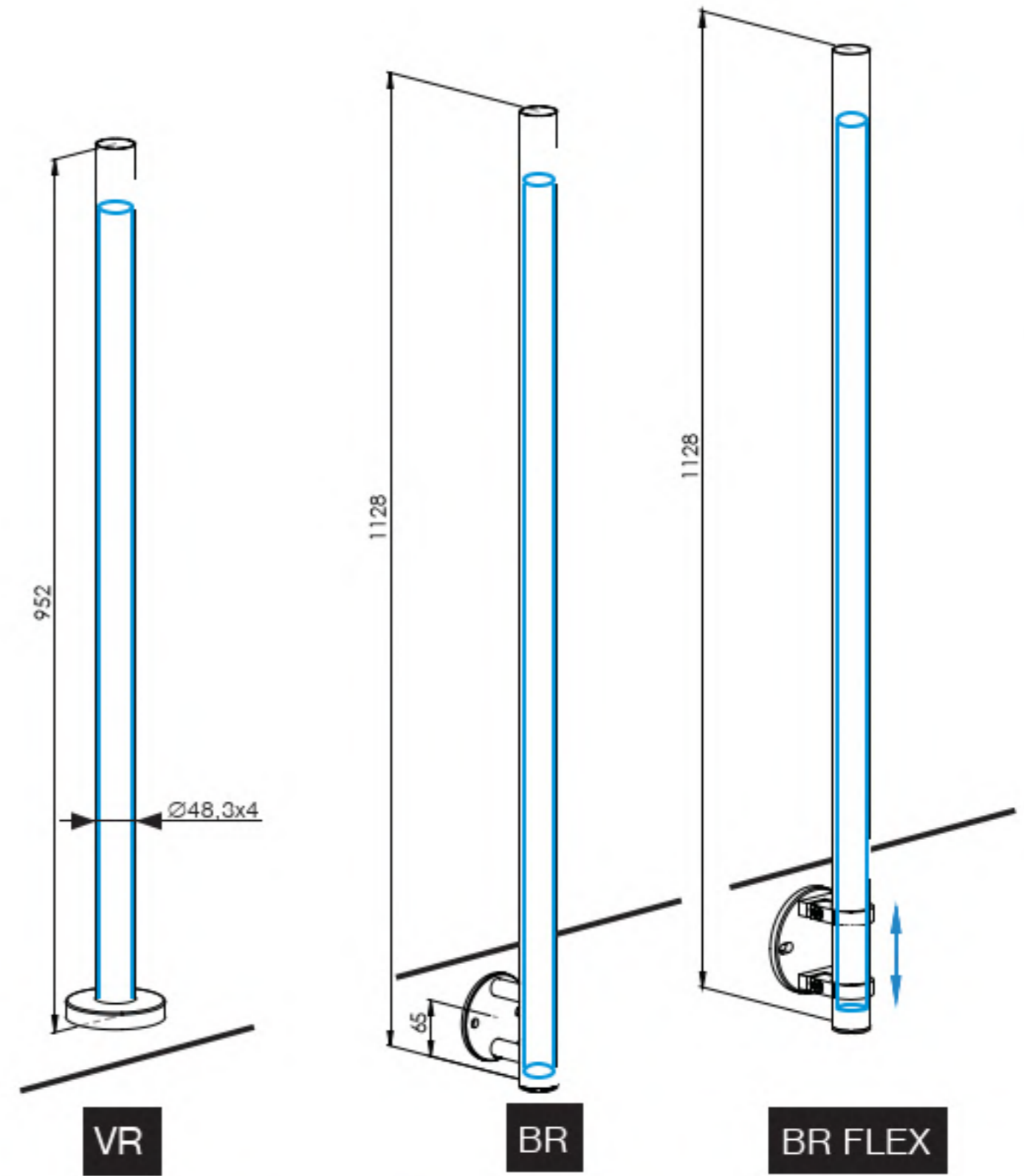
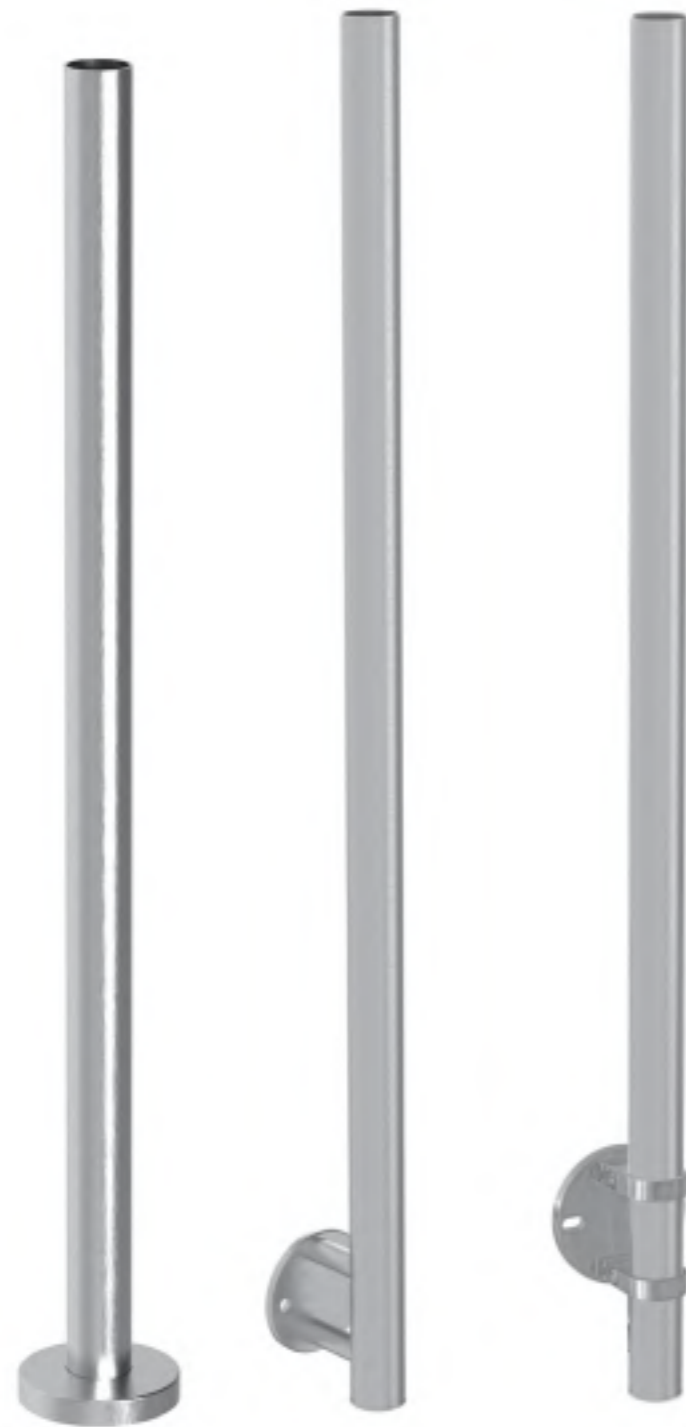
Quality	Finish	art.
AISI304	satın	A-BR100-6D12

new



Quality	Finish	art.
AISI304	satın	A-BS100-6D12

new



VR

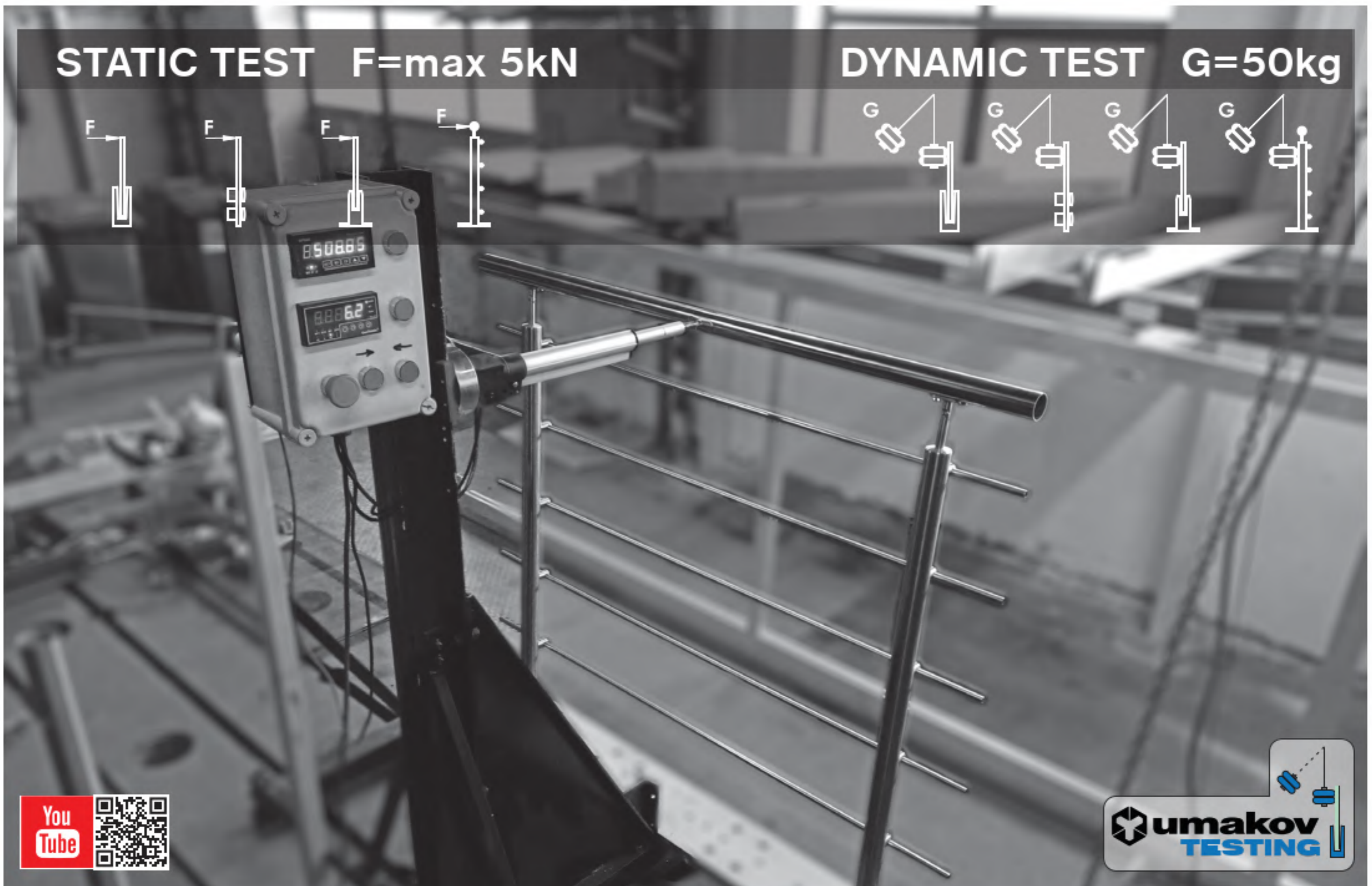
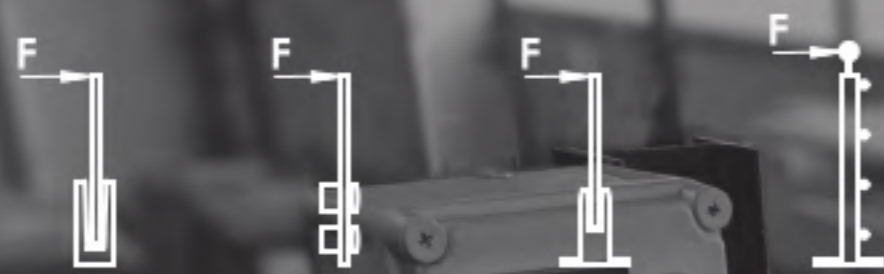
BR

BR FLEX

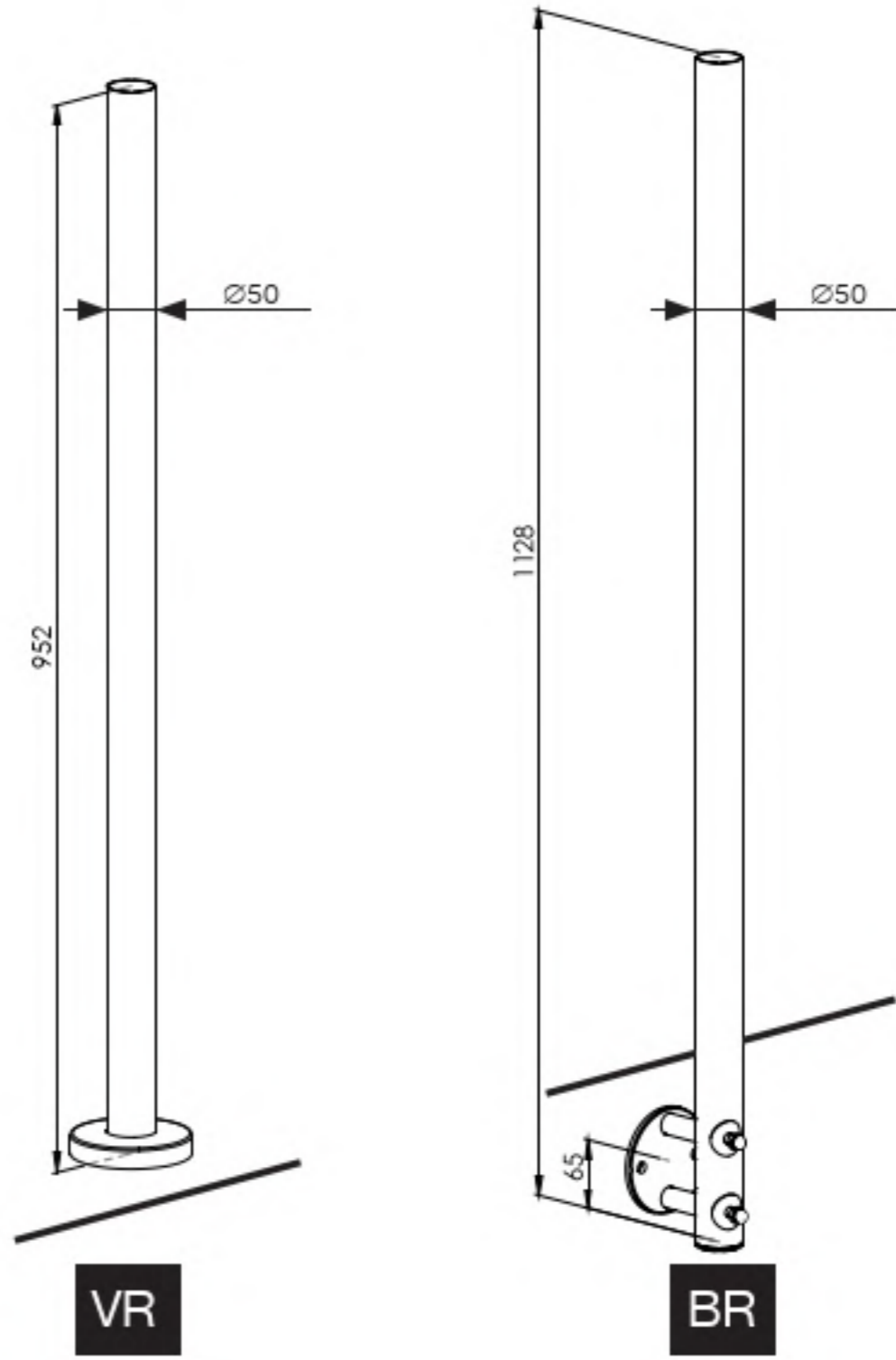
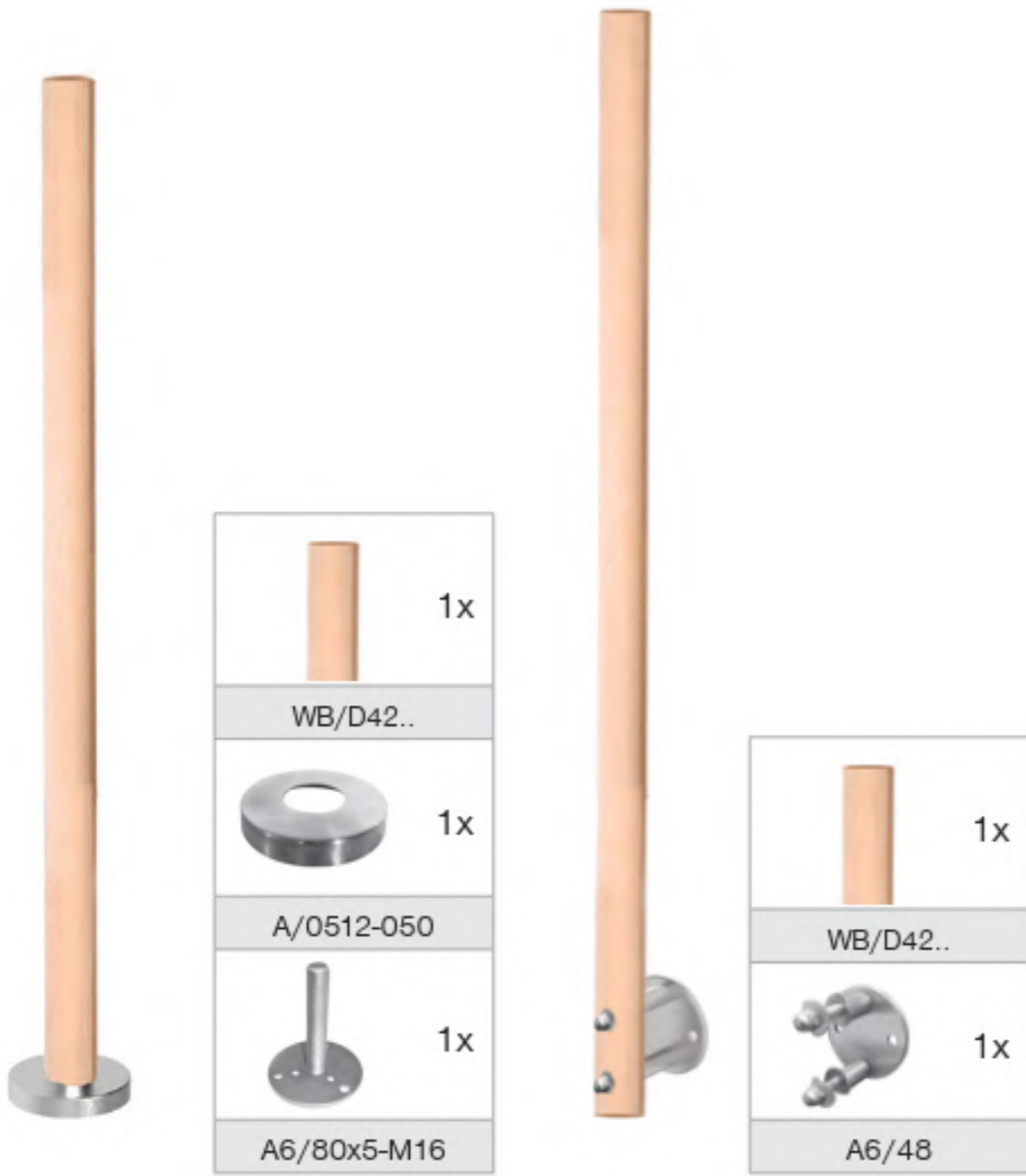
Quality	Finish	art.	G/h						
				A/48,3x4	A14/0513-048	A/0943-115x48	A6/021-048	A14/2x48-150	A/5729-248...
AISI304	satin	A-VER-VR100-STRONG	1kN	1x	1x	1x	1x	1x	1x
		A-VER-BR100-STRONG							
		A-VER-BR100-FLEX-STRONG							

STATIC TEST F=max 5kN

DYNAMIC TEST G=50kg

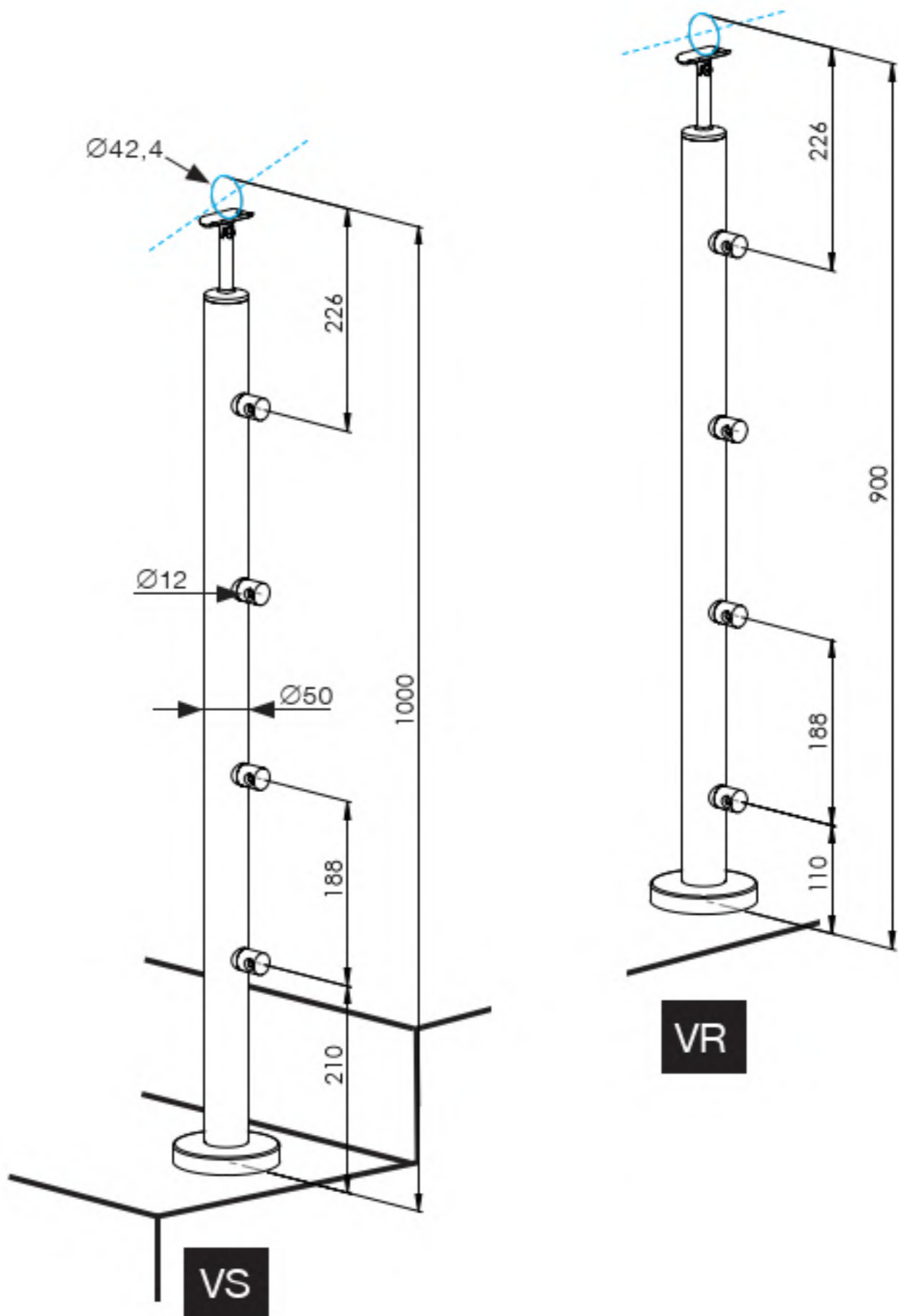


MODEL ROUND D50

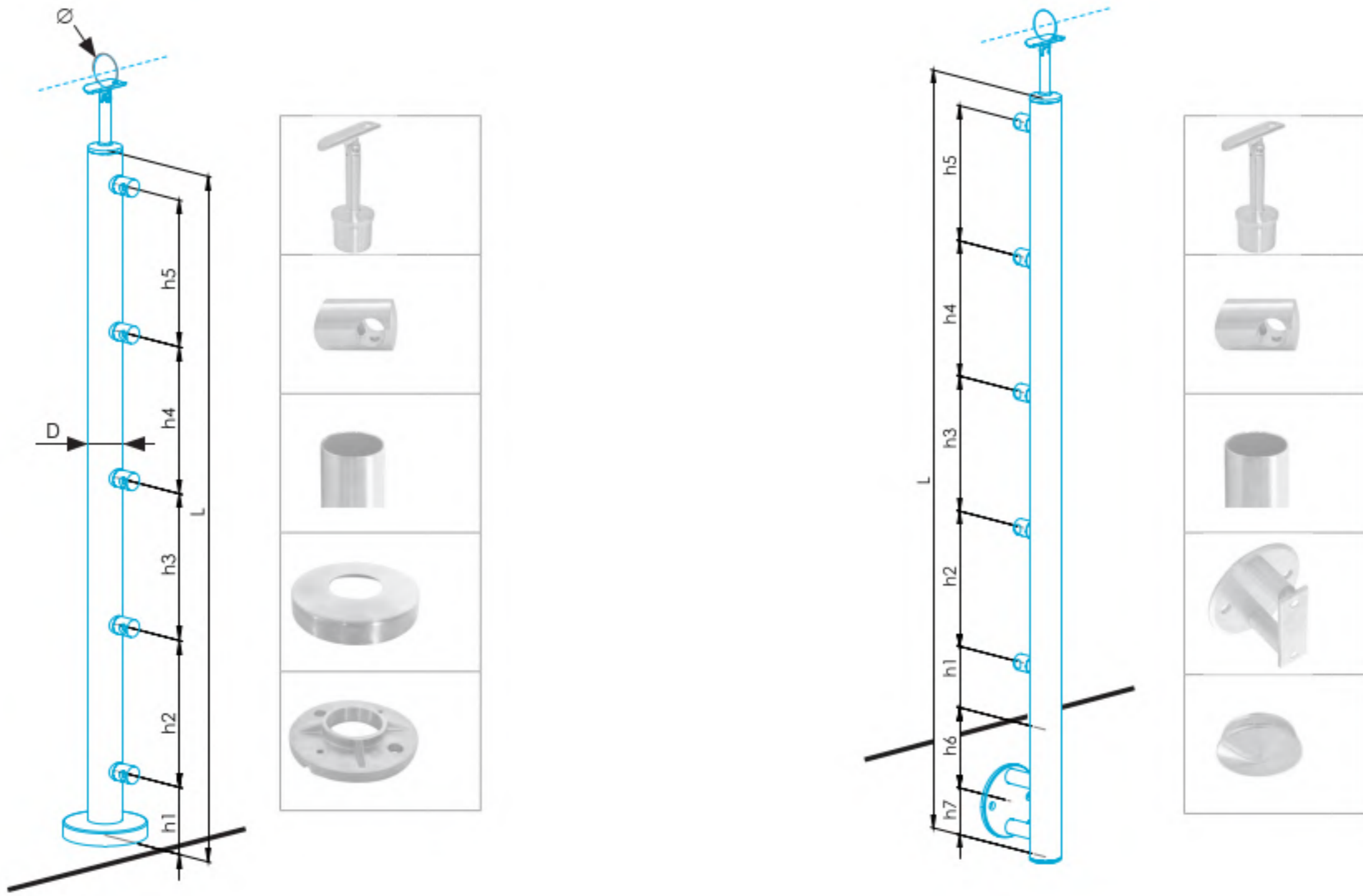


Quality	Finish	D	art.
Beech	natural	50	WB-VER-VR100
			WB-VER-BR100

new

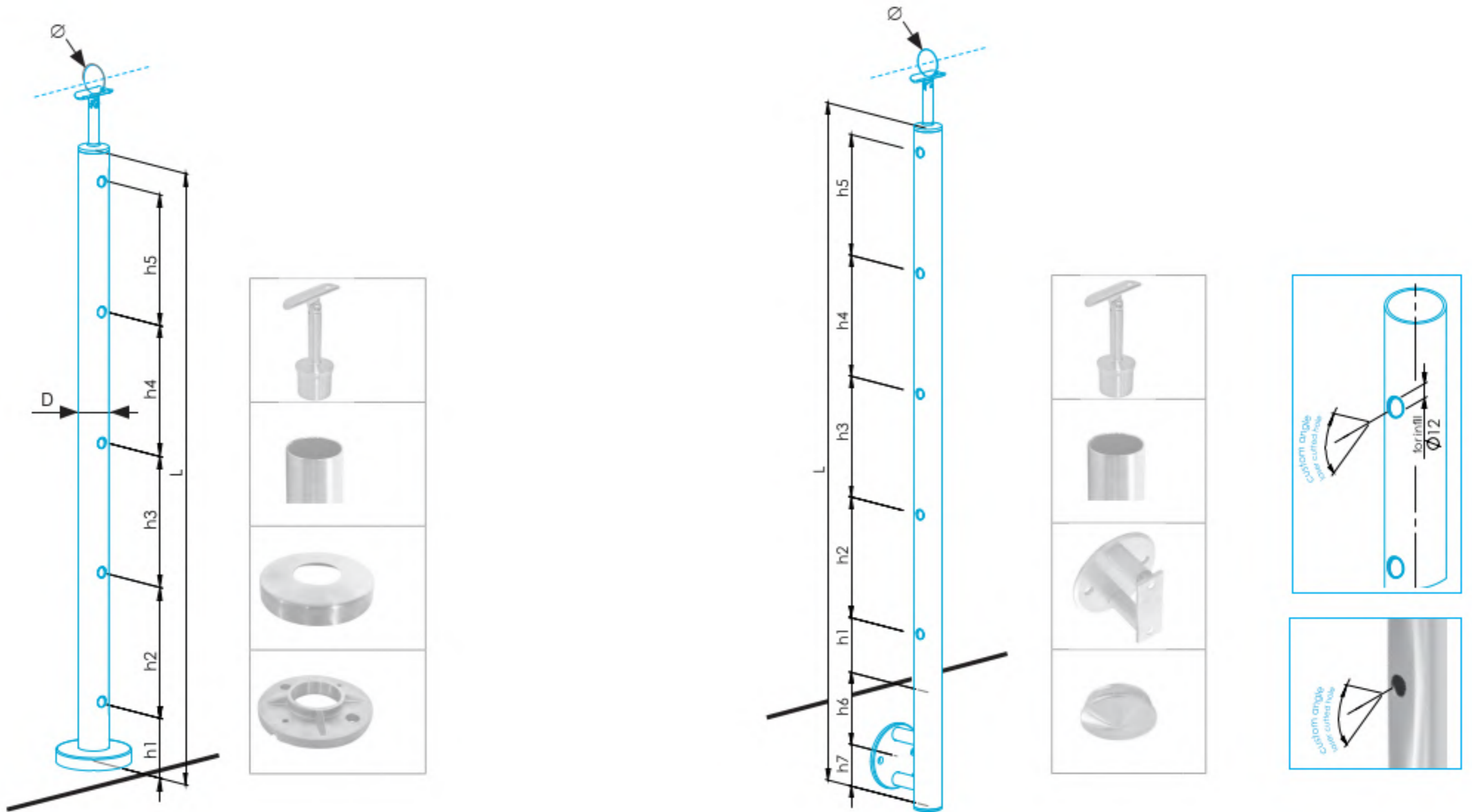


Quality	Finish	art.
Beech	natural	WB-VR100-5D12
		WB-VS100-5D12



Quality	Finish	D	art.	L	h1	h2	h3	h4	h5	h6	h7	Pcs
AISI304	satin	42,4x2	ATYP-INOX A/42,4									
	polish		ATYP-INOX A/42,4-L									
AISI316	satin		ATYP-INOX A14/42,4									
Beech	natural	50	ATYP-INOX WB/D50									
Oak			ATYP-INOX WD/D50									

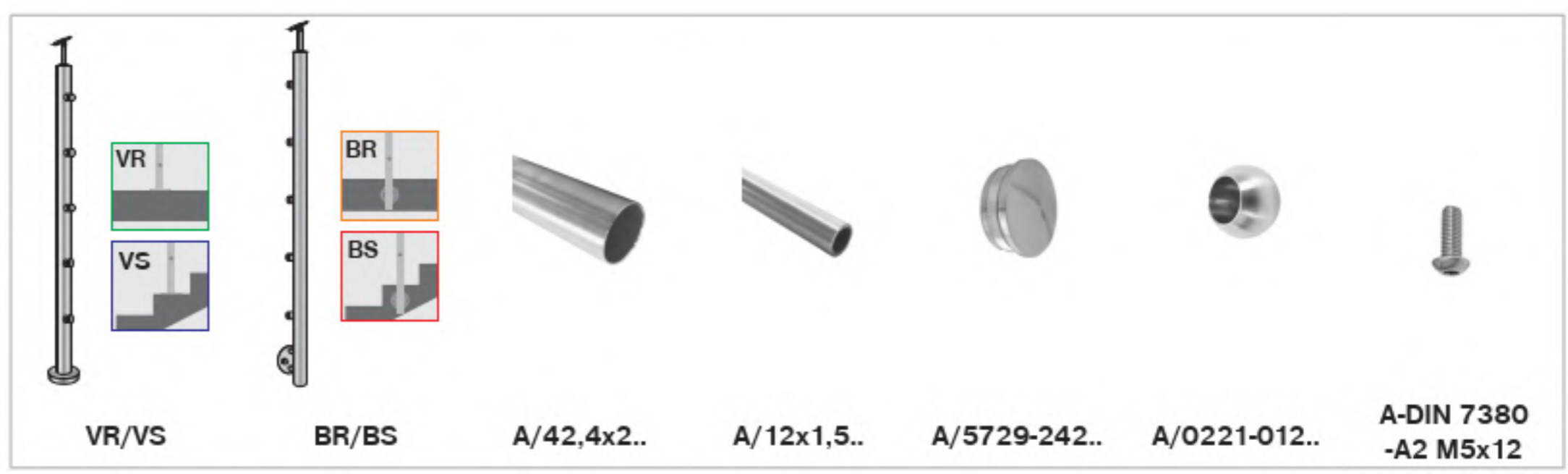
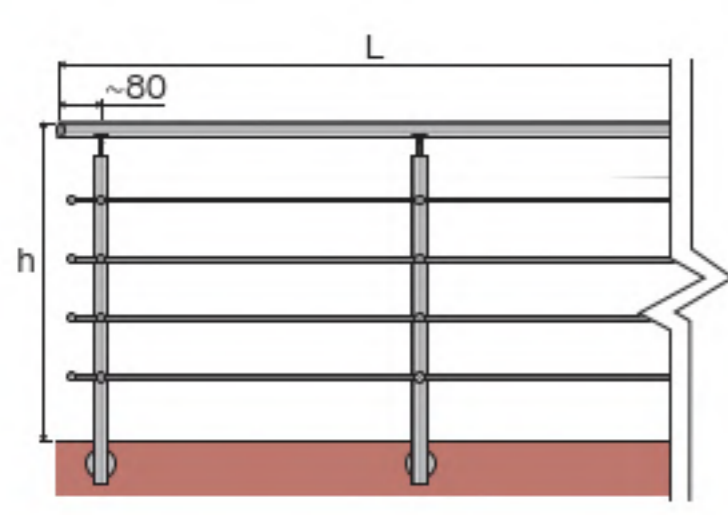
L=max. 1200mm, max. 7 holes



Quality	Finish	D	art.	L	custom angle	h1	h2	h3	h4	h5	h6	h7	Pcs
AISI304	satin	42,4x2	ATYP-ANGLE A/42,4										
	polish		ATYP-ANGLE A/42,4-L										
AISI316	satin		ATYP-ANGLE A14/42,4										

new
new
new

L=max. 1200mm, max. 7 holes



	Quality	Finish	∅	art.	L	h
	AISI304	satin	42,4x2	A/ZVR90-1500	1500	900
				A/ZVR90-3000	3000	
				A/ZVR90-6000	6000	
				A14/ZVR90-3000	3000	
	A14/ZVR90-6000	6000		1000		
	A/ZVR100-1500	1500				
	A/ZVR100-3000	3000				
	A/ZVR100-6000	6000				
A14/ZVR100-3000	3000					
A14/ZVR100-6000	6000					

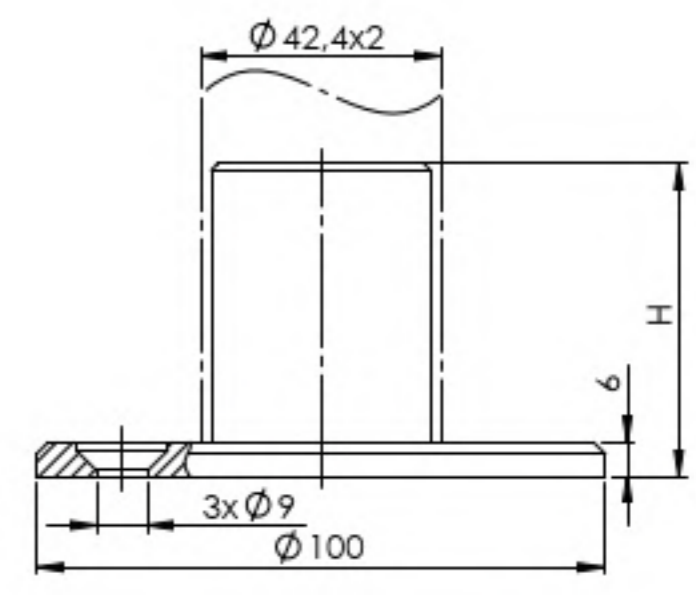
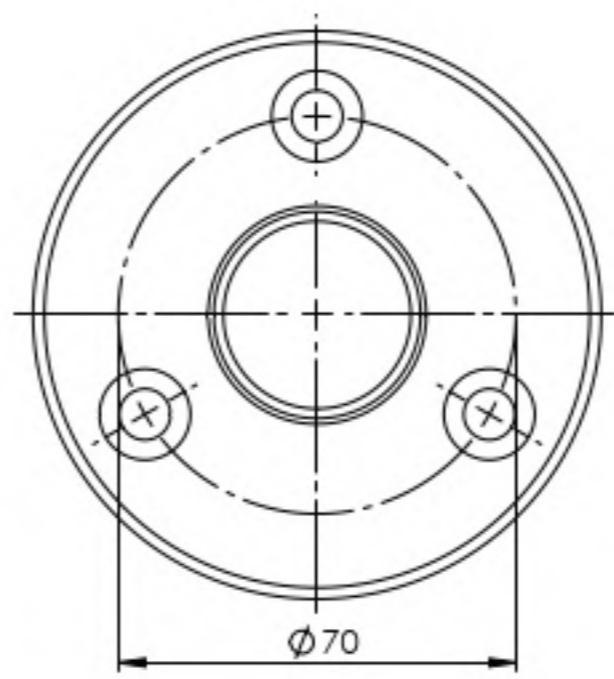
	Quality	Finish	∅	art.	L	h
	AISI304	satin	42,4x2	A/ZVS90-1500	1500	900
				A/ZVS90-3000	3000	
				A/ZVS90-6000	6000	
				A14/ZVS90-3000	3000	
	A14/ZVS90-6000	6000		1000		
	A/ZVS90-1500-L	1500				
	A/ZVS90-3000-L	3000				
	A/ZVS90-6000-L	6000				
	A/ZVS100-1500	1500				
	A/ZVS100-3000	3000				
	A/ZVS100-6000	6000				
	A14/ZVS100-3000	3000				
A14/ZVS100-6000	6000					

	Quality	Finish	∅	art.	L	h
	AISI304	satin	42,4x2	A/ZBR90-1500	1500	900
				A/ZBR90-3000	3000	
				A/ZBR90-6000	6000	1000
				A/ZBR100-1500	1500	
				A/ZBR100-3000	3000	
				A/ZBR100-6000	6000	

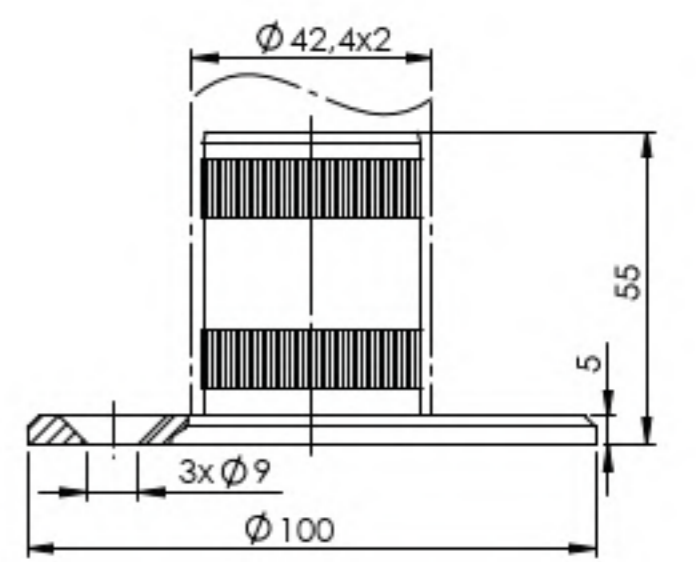
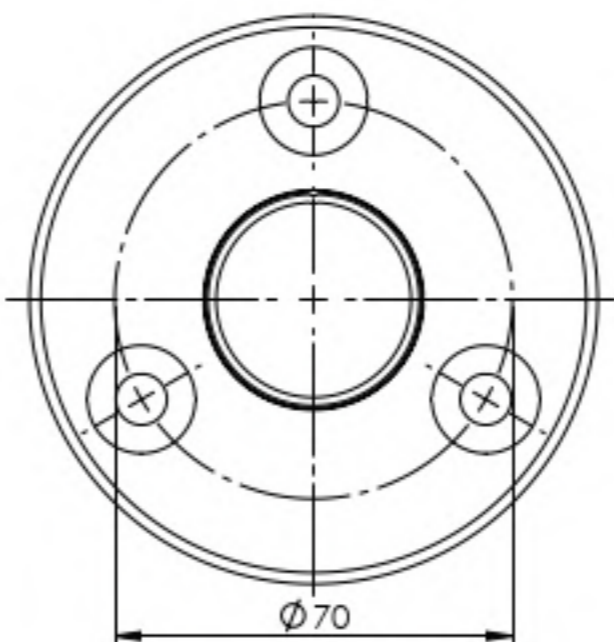
	Quality	Finish	∅	art.	L	h
	AISI304	satin	42,4x2	A/ZBS90-1500	1500	900
				A/ZBS90-3000	3000	
				A/ZBS90-6000	6000	1000
				A/ZBS100-1500	1500	
				A/ZBS100-3000	3000	
				A/ZBS100-6000	6000	







Quality	Finish	art.	H
AISI304	satin	A/0941-242x55	55
		A/0941-242x120	120

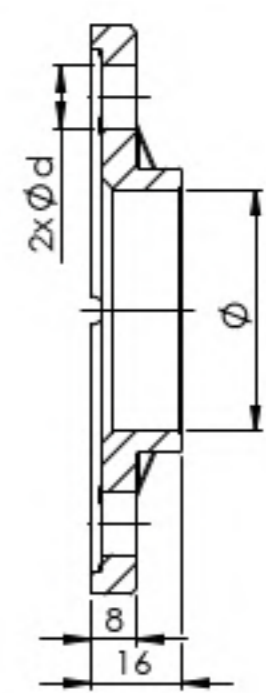
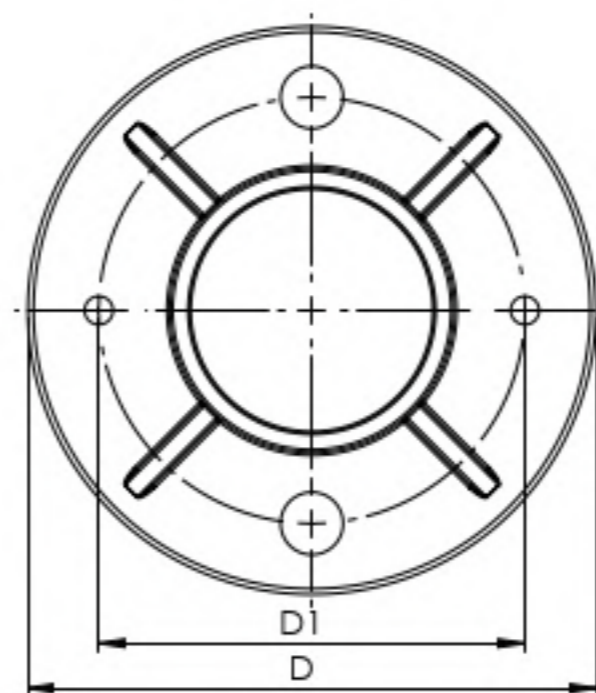


Quality	Finish	art.
AISI304	satin	A/0942-242
AISI316		A14/0942-242



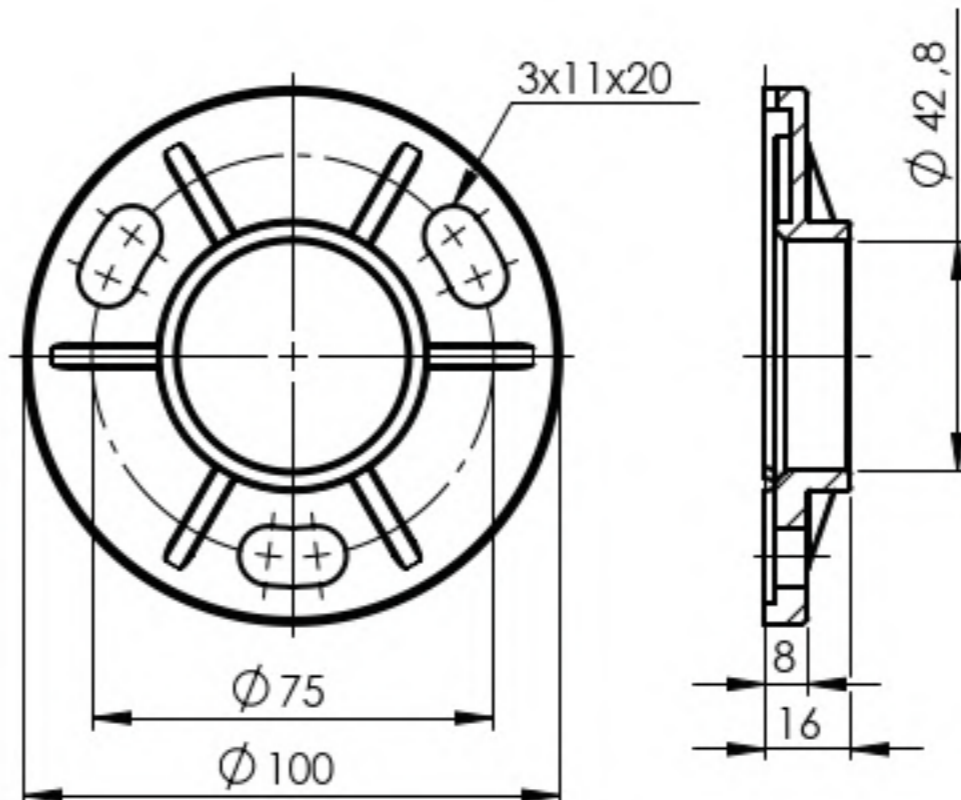
Quality	Finish	art.
AISI316	raw	A14/42,4x2-R

new



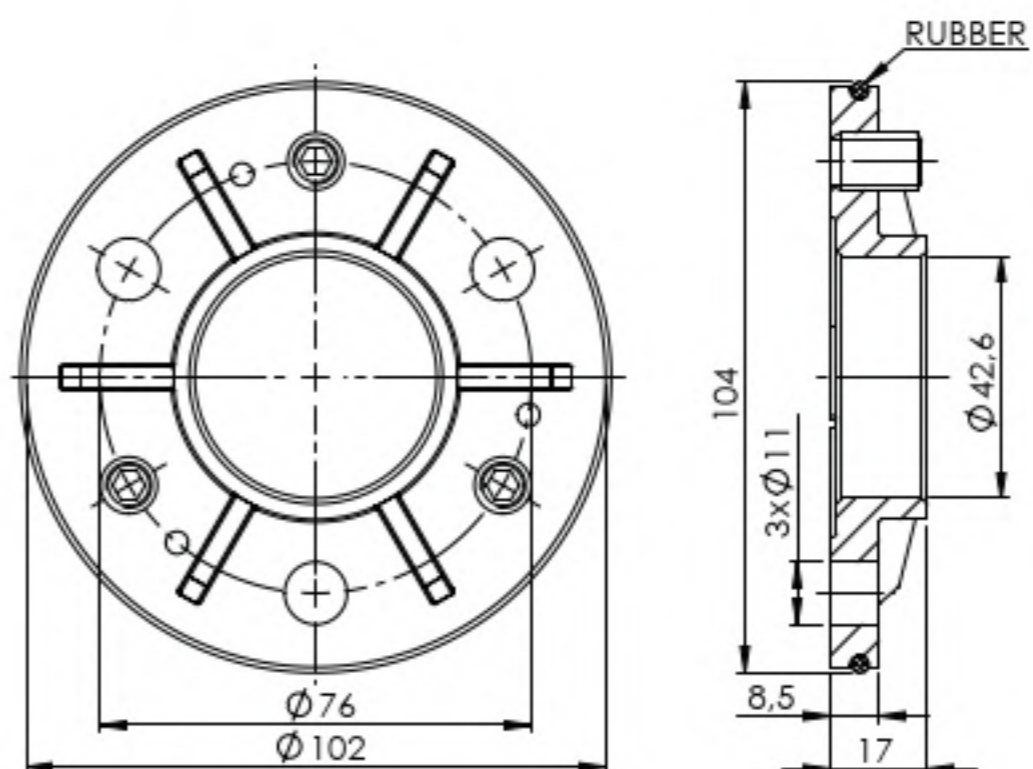
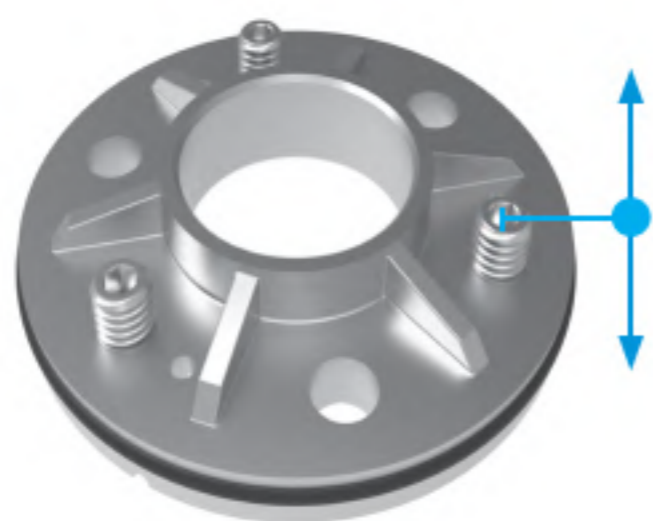
Quality	Finish	∅	art.	D	d	D1
AISI304	raw	33,7	A/0940-033-N	100	11	70
		42,4	A/0940-042-N			75
		48,3	A/0940-048-N-B			75
AISI316		42,4	A14/0940-042-N	120		90
		48,3	A14/0944-048-N			90

top

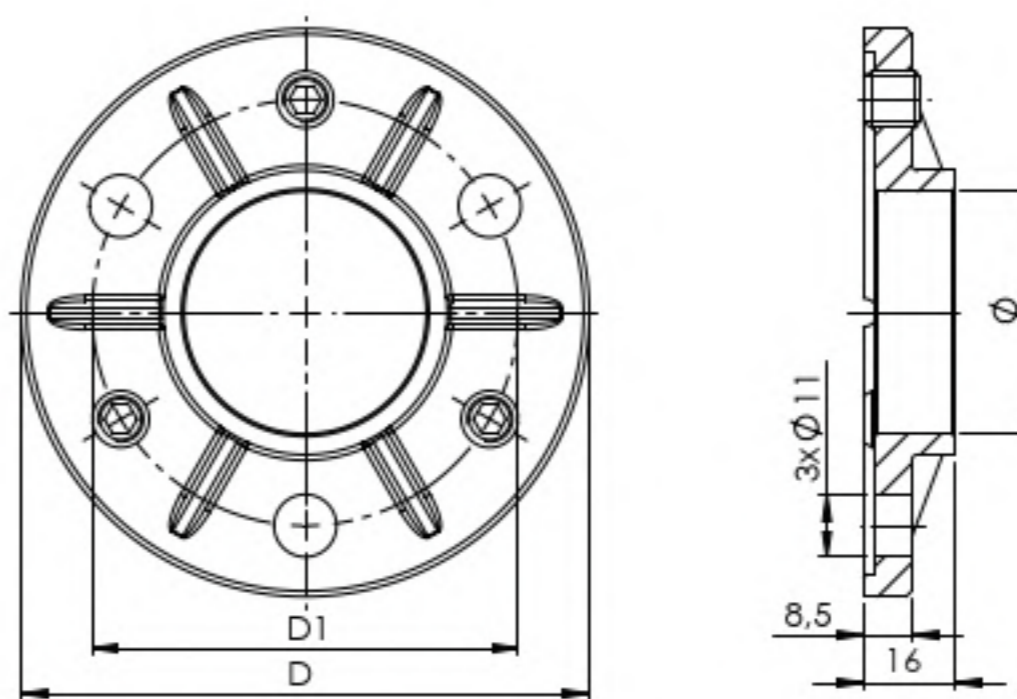


Quality	Finish	art.
AISI304	raw	A/0947-042-N

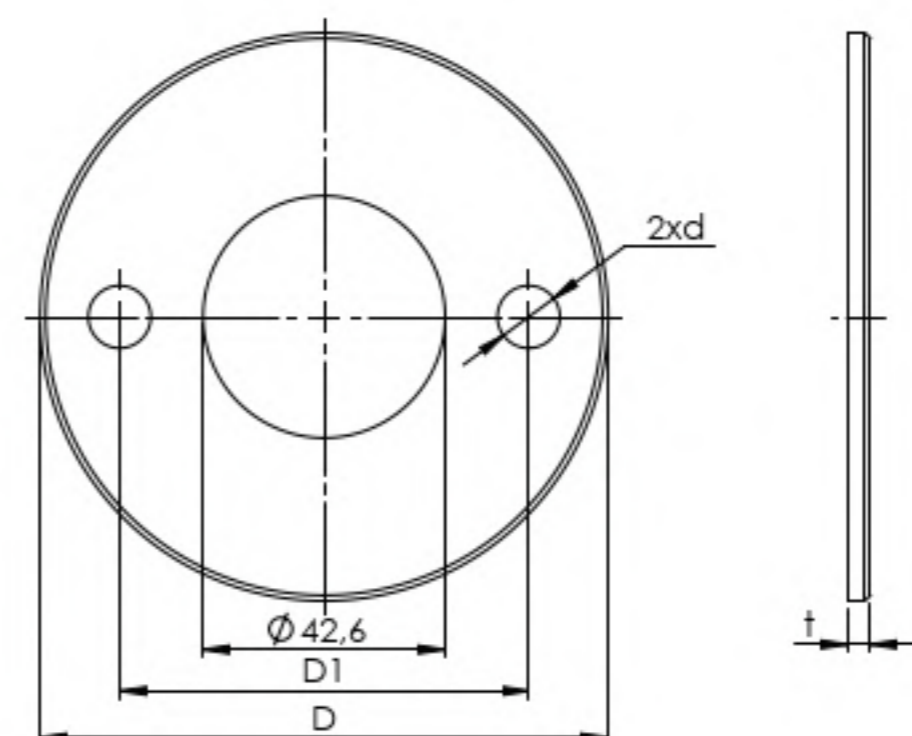
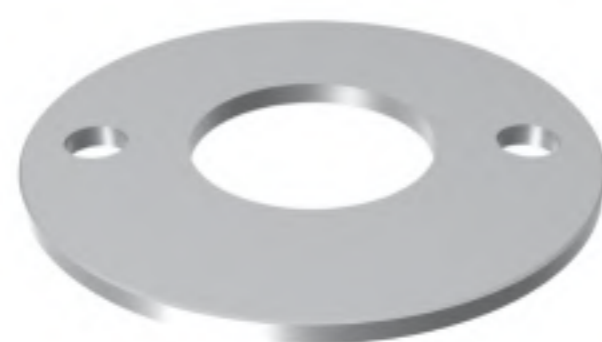
new



Quality	Finish	art.
AISI316	raw	A14/0949-042-N



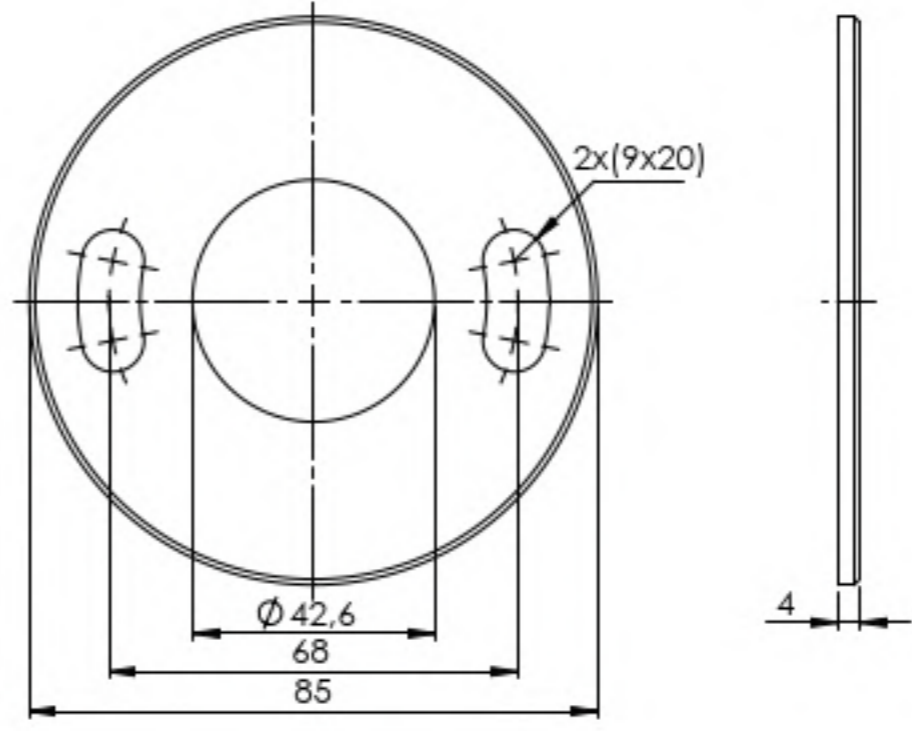
Quality	Finish	ϕ	art.	D	D1
AISI304	raw	42,4	A/0943-100x42	100	75
		48,3	A/0943-115x48	115	90



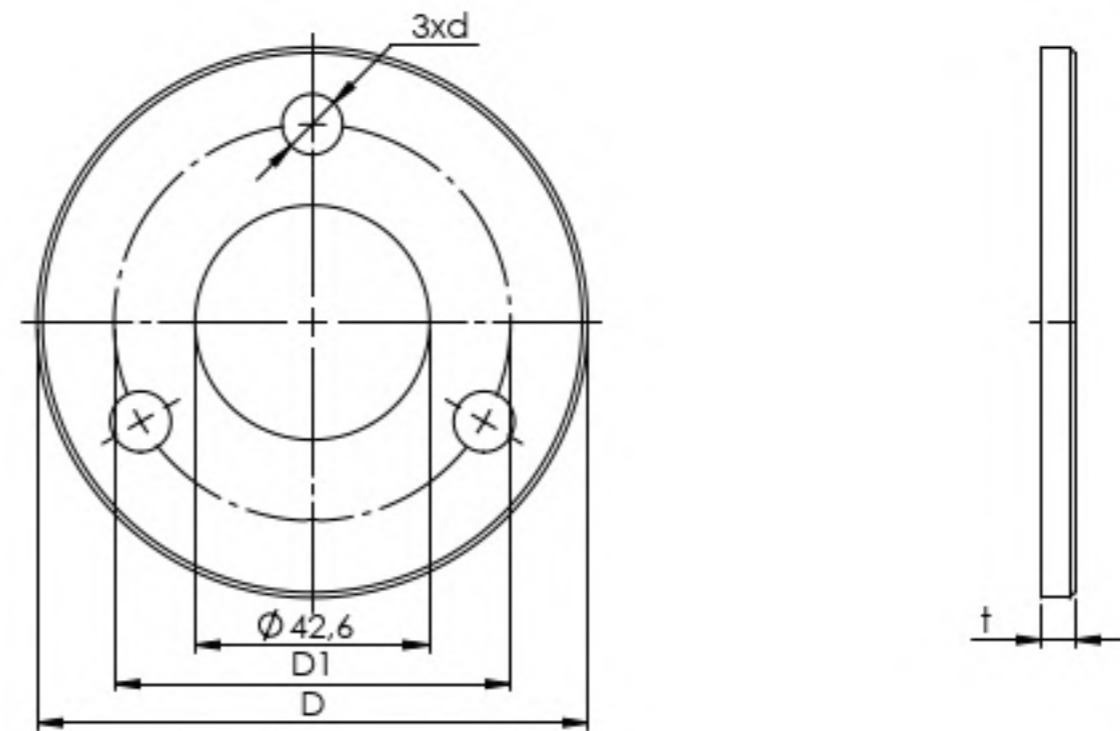
Quality	Finish	art.	D	d	D1	t
AISI304	raw	A/0948-042	100	11	75	6
		A/1951-100x42x4-N	100	11	72	



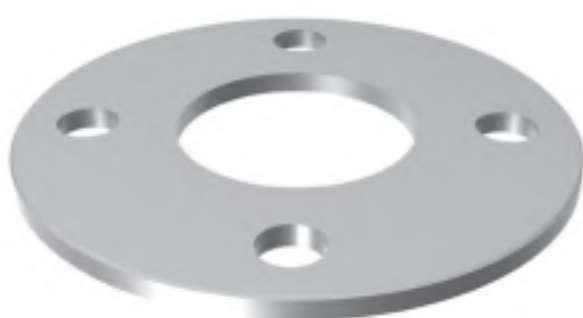
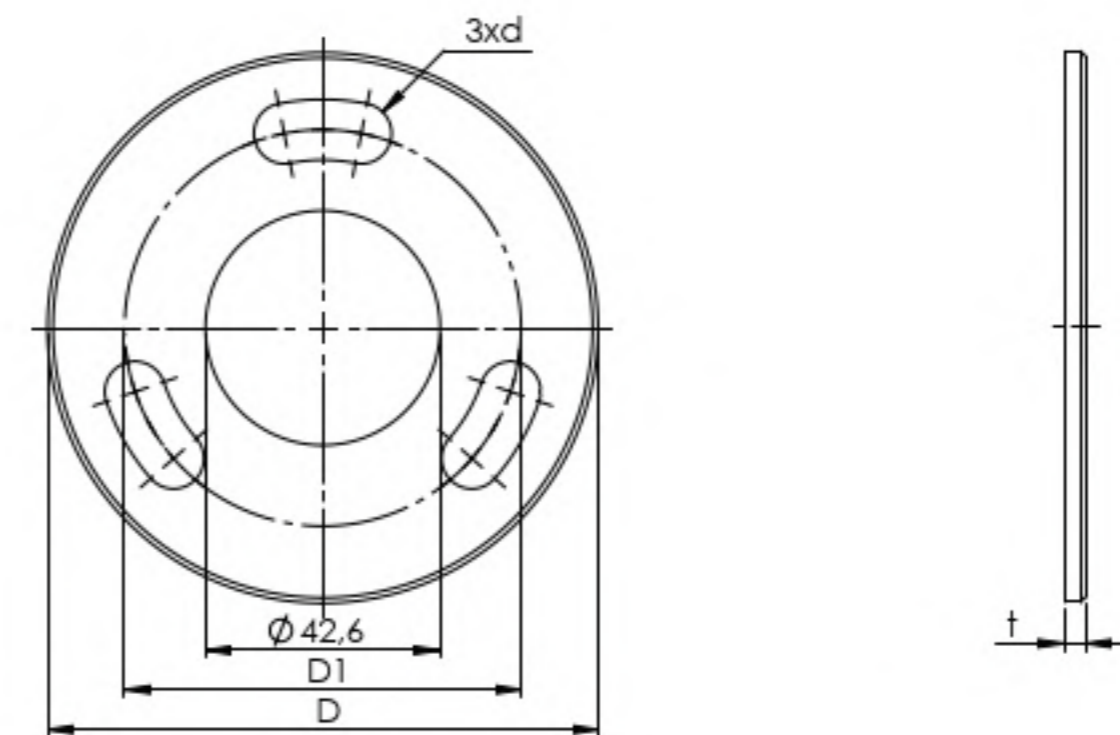
Quality	Finish	art.
AISI304	raw	A/1952-85x42x4-N



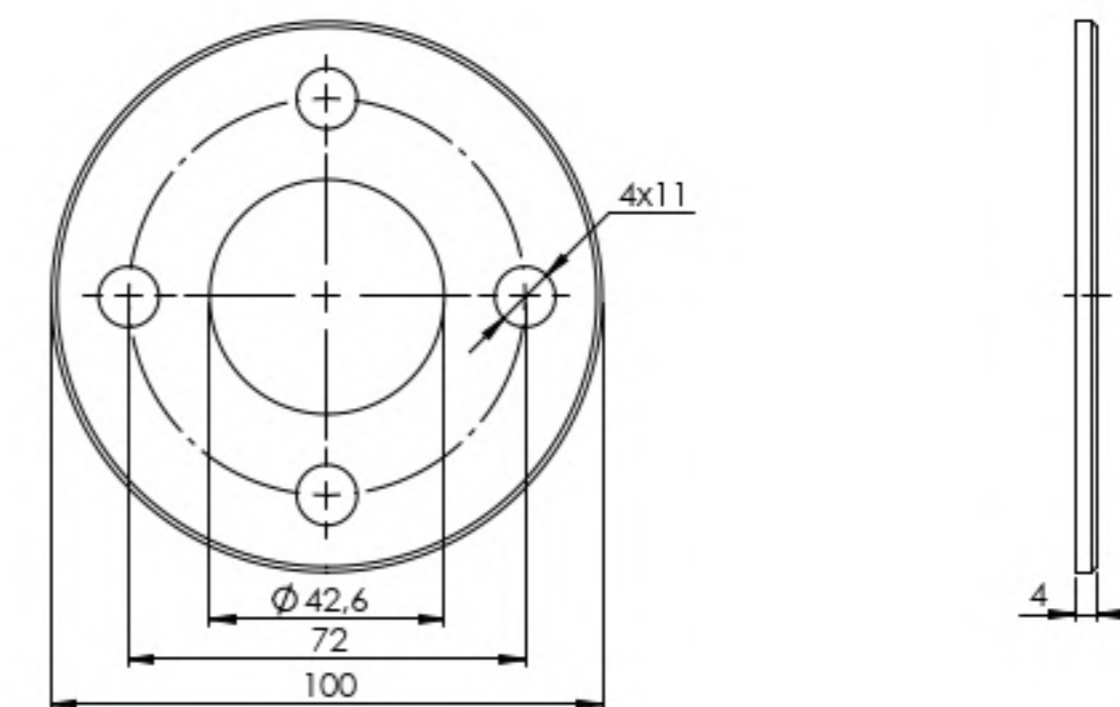
Quality	Finish	art.	D	d	D1	t	
AISI304	satin	A6/85x42x6-S	85	8,5	65	6	
		A6/100x42x6-S	100	11	73		
		A6/120x42x6-S	120		80		
		A6/85x42x4-N	85	9	68		4
		A6/100x42x4-N			72		
AISI316	polish	A14/100x42x6-S	100	11	73	6	
		A14/100x42x6-L					



Quality	Finish	art.	D	d	D1	t
AISI304	raw	A/0946-85x4-N	85	9x20	68	4
		A/0946-100x4-N			72	
		A/0946-042-N	100	11x25	77	

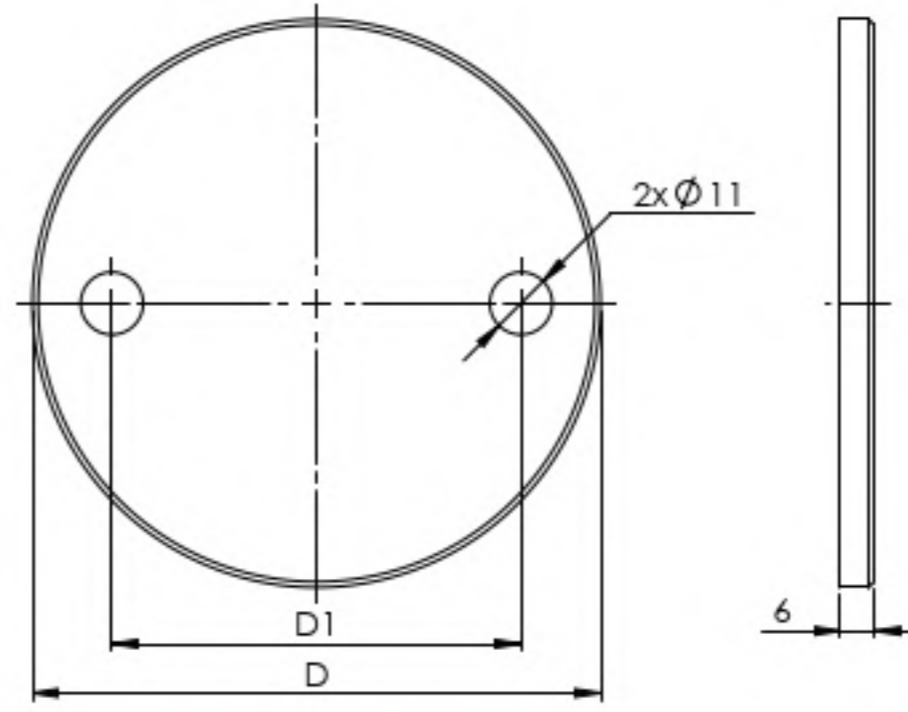


Quality	Finish	art.
AISI304	satin	A/1954-100x42x4-N

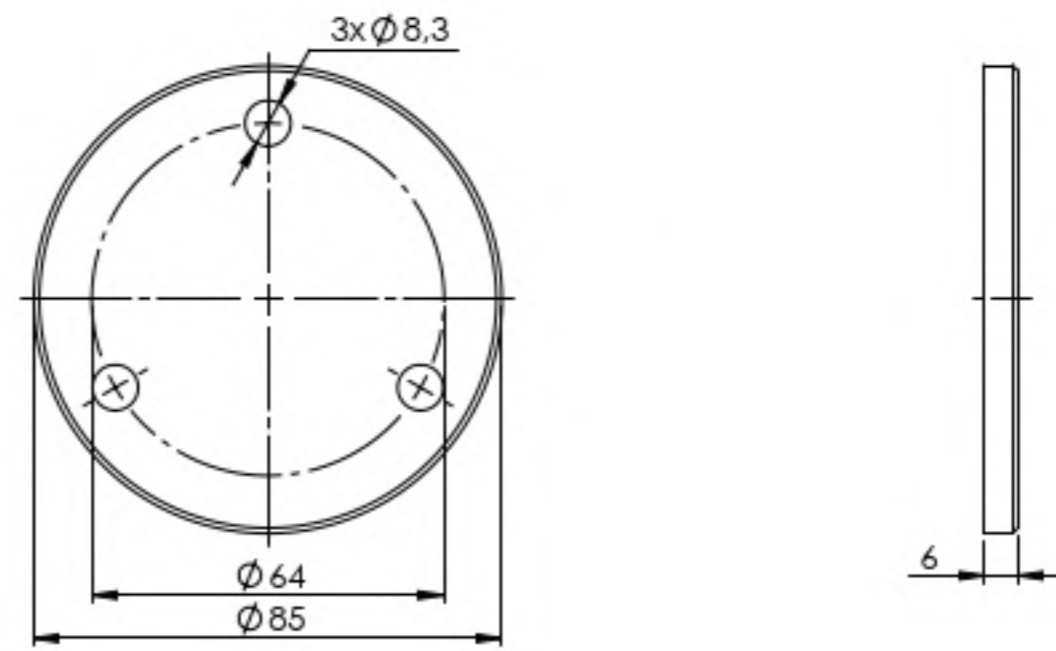




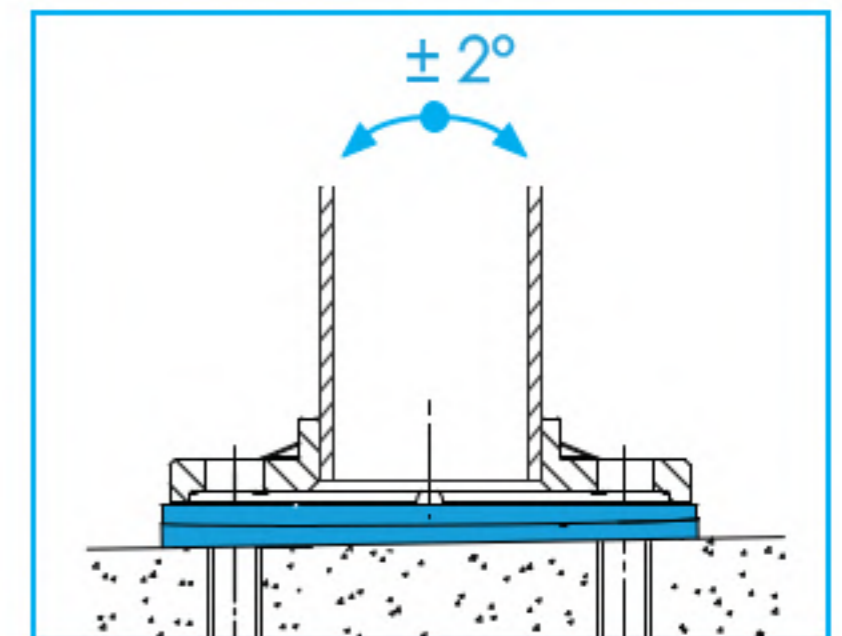
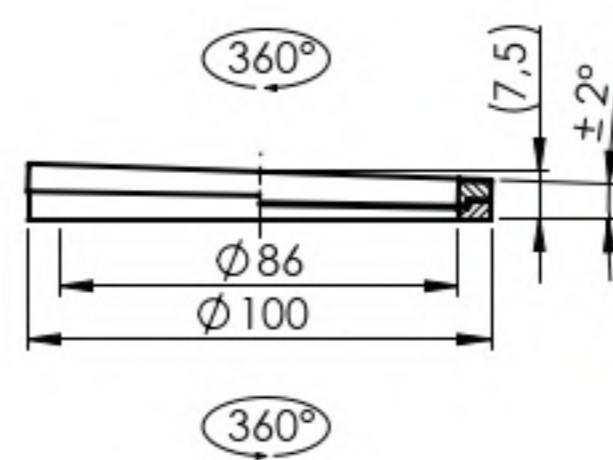
Quality	Finish	art.	D	D1
AISI304	satin	A/1950-100	100	72
		A/1950-120	120	87

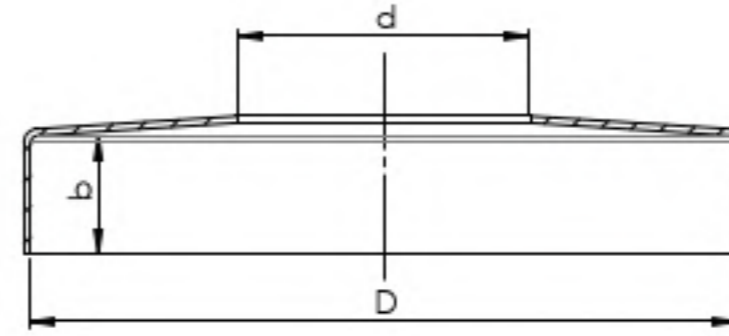
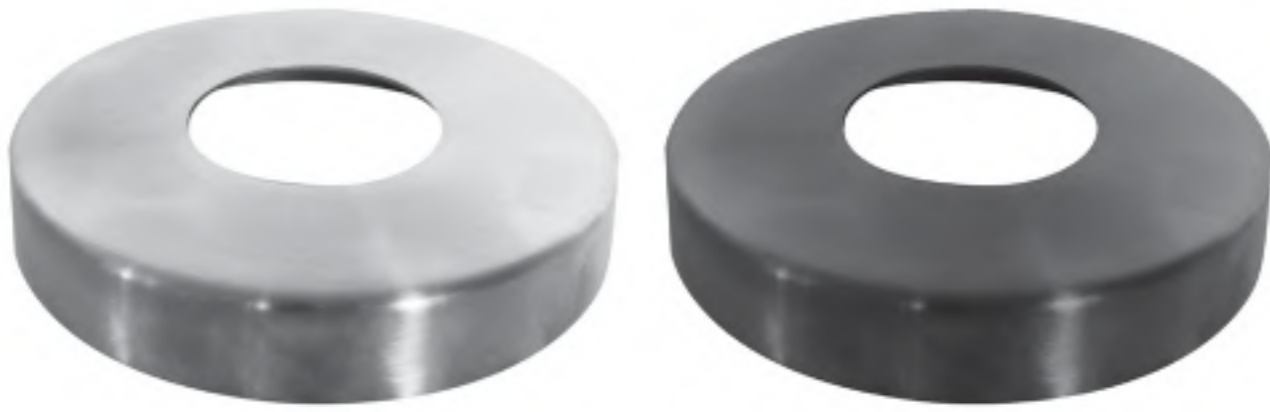


Quality	Finish	art.
AISI304	satin	A6/85x00x6-S

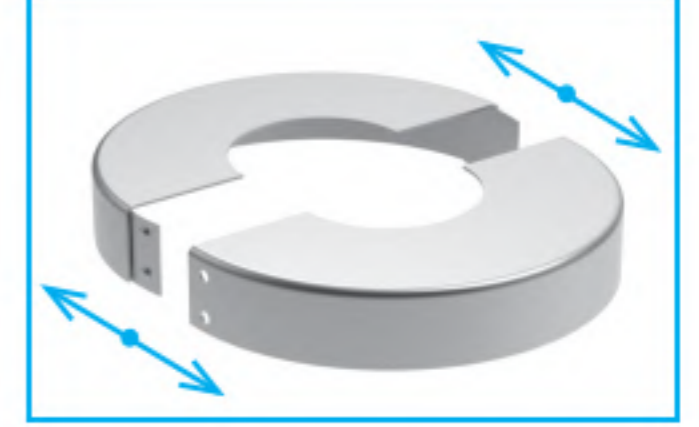
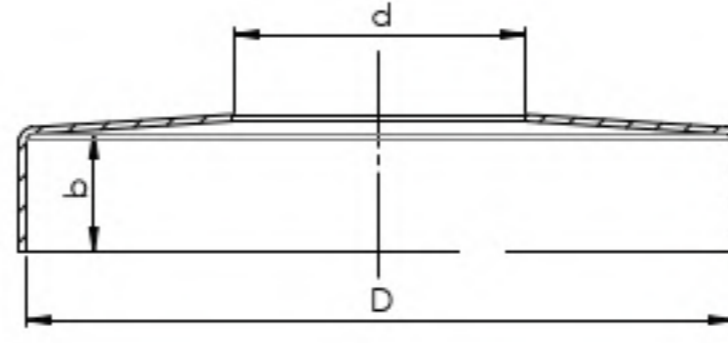
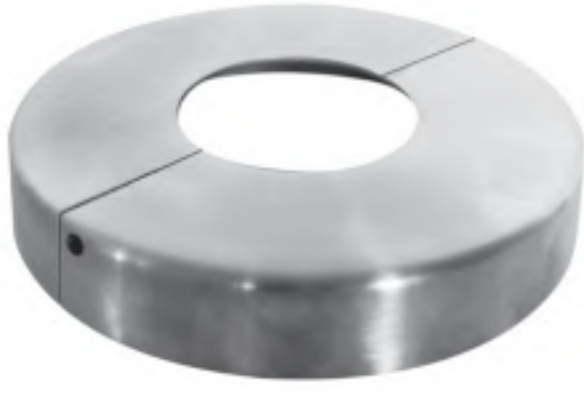


Quality	Finish	art.
AISI304	natural	Q10/ANGLE-0-2-100 <i>new</i>

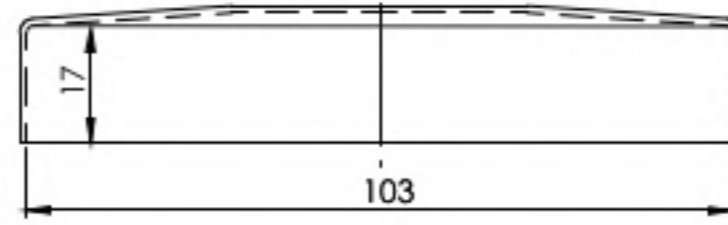
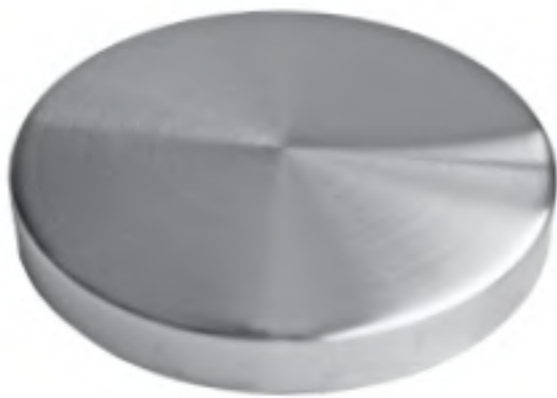




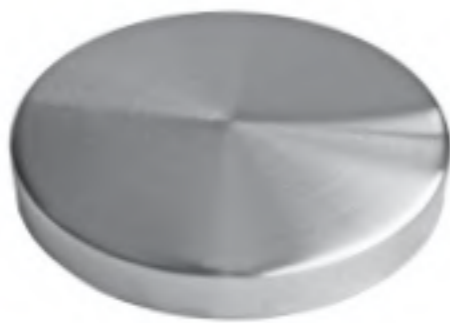
Quality	Finish	art.	d	D	b	
AISI304	satin	A/0514-012-B		43	12	<i>top</i>
		A6/60x12x12	12	58		
		A/0515-012		72	11	
		A/0514-014	14	43,6		
		A/0512-033	33,7	103	17	
		A/0515-042-B		73	11	
		A/0516-042		85	10	
		A6/90x42x13-S		88	14	
	PVD Black	A/0512-042	42,4		17	<i>top</i>
		A-PVD/0512-042		103		<i>new</i>
		A6/105x42x25			21	
		A/0513-042		123	24	
		A/0512-048	48,3		17	
		A6/105x48x25		103	22	
		A/0512-050	50,0		17	
		polish	A/0514-012-L	12	43	12
A/0515-042-L			73	11		
A6/90x42x13-L	42,4		88	12		
A/0512-042-L			103	17		
AISI316	satin	A14/0514-012	12	43	12	
		A14/0515-014	14,5	74		<i>new</i>
		A14/0512-042			17	
		A14/105x42x25	42,4		22	
		A14/0512-048		103	17	
		A14/105x48x25	48,3		23	
		A14/0513-048		123	16	
		A14/0512-050	50,0		17	
		A14/0512-042-L	42,4	103	17	
polish	A14/0512-042-L	42,4				



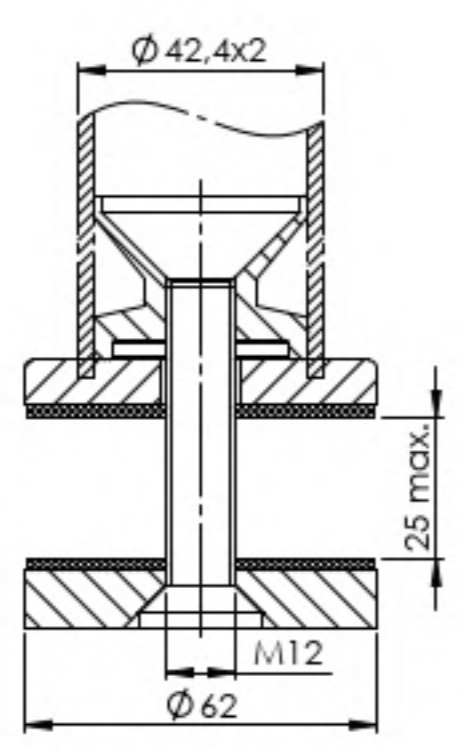
Quality	Finish	art.	d	D	b
AISI316	satin	A14/0517-012	12	43,5	12
		A14/0517-042	42	103,5	17



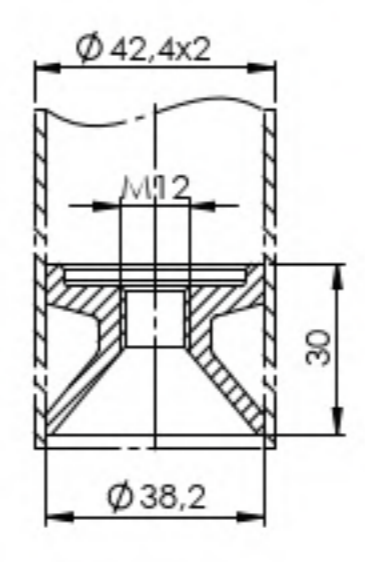
Quality	Finish	art.
AISI304	satin	A/0512-000



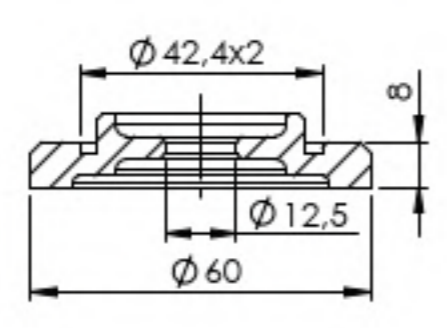
Quality	Finish	art.
AISI304	satin	A6/90x00x13-S



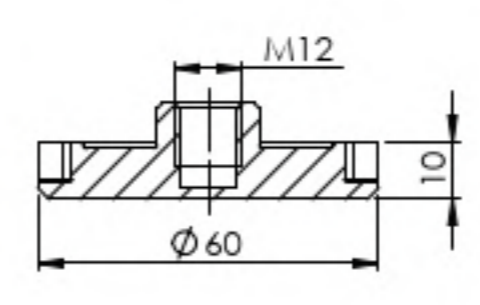
Quality	Finish	art.
AISI304	satin	A6/42-62



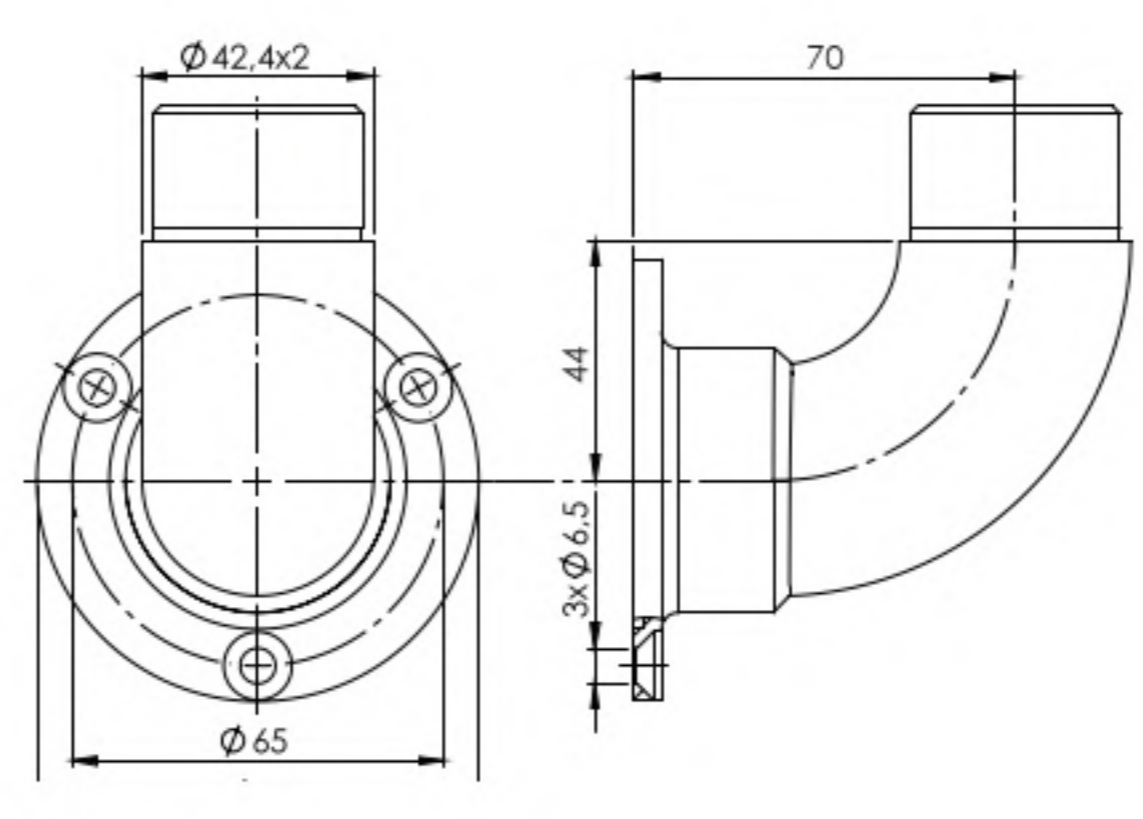
Quality	Finish	art.
AISI304	satin	A/3501-042



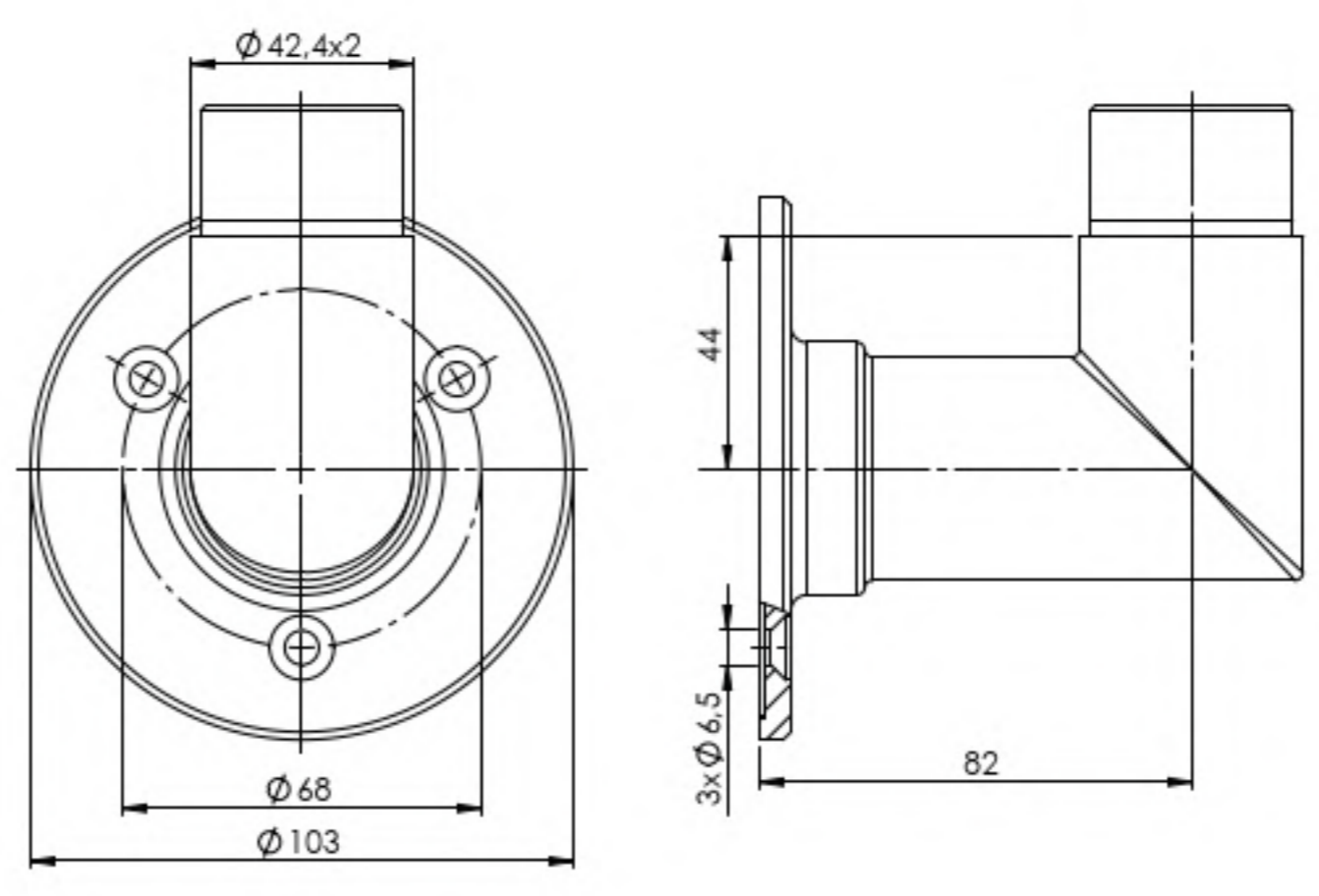
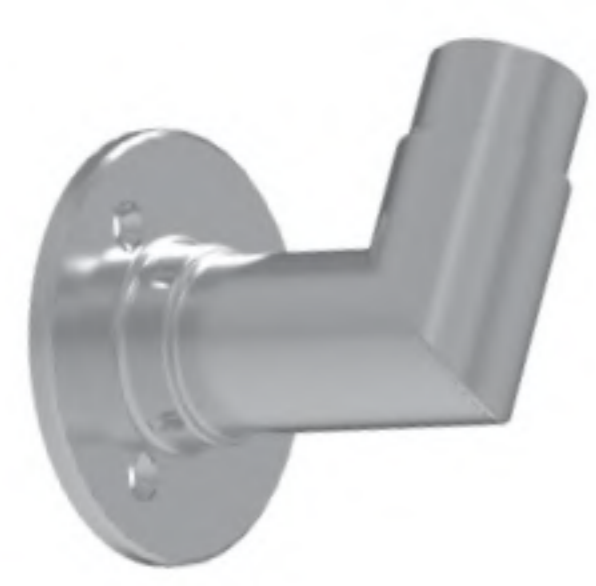
Quality	Finish	art.
AISI304	satin	A/0501-042



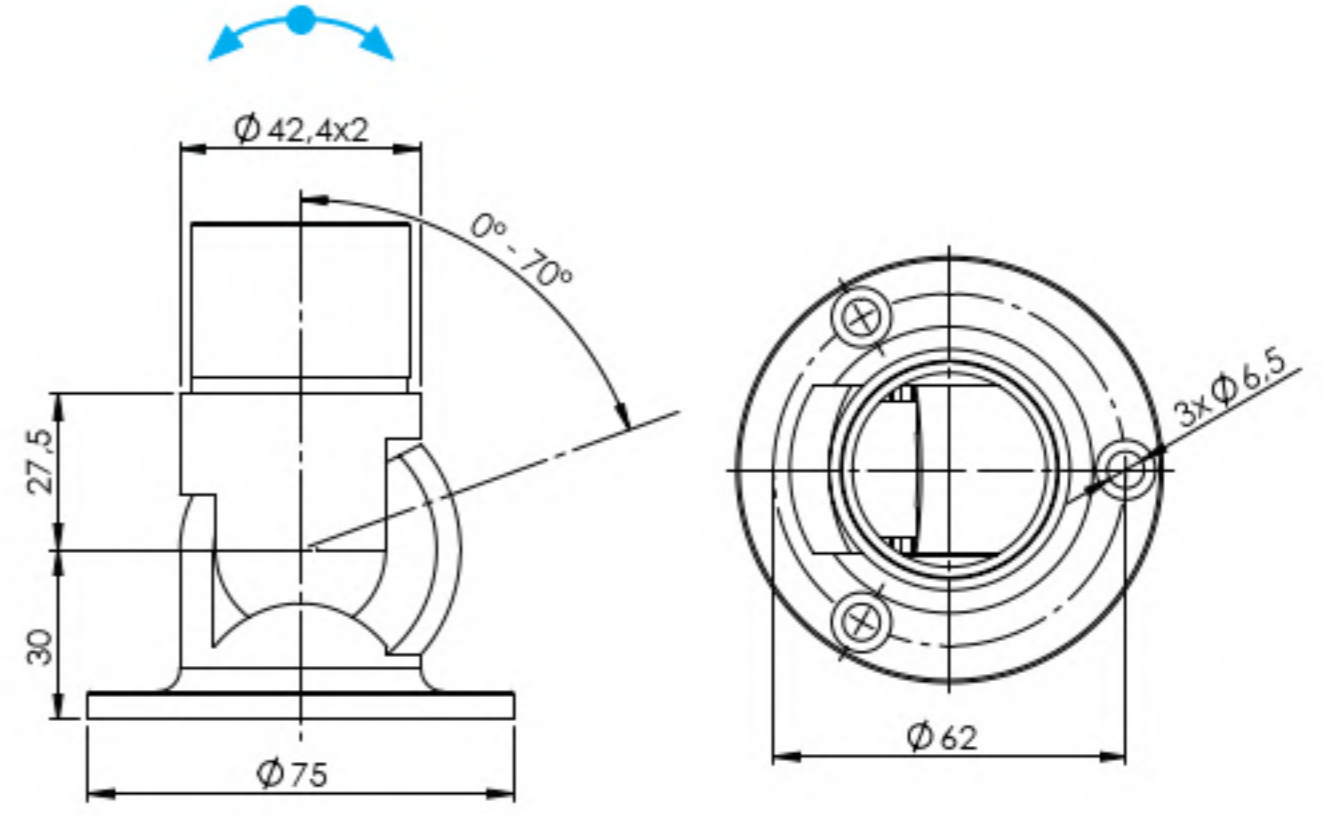
Quality	Finish	art.
AISI304	satin	A/0731-060



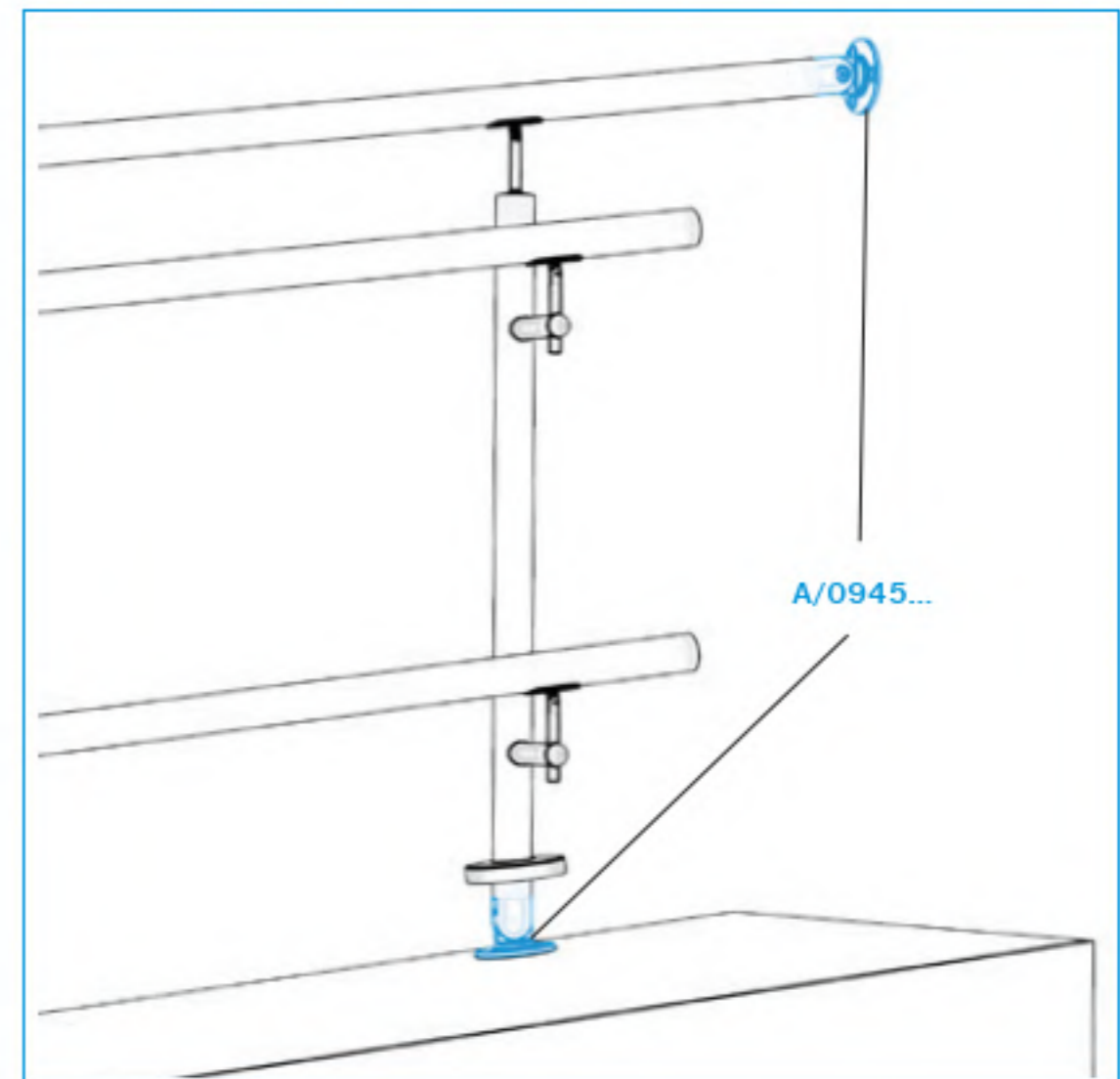
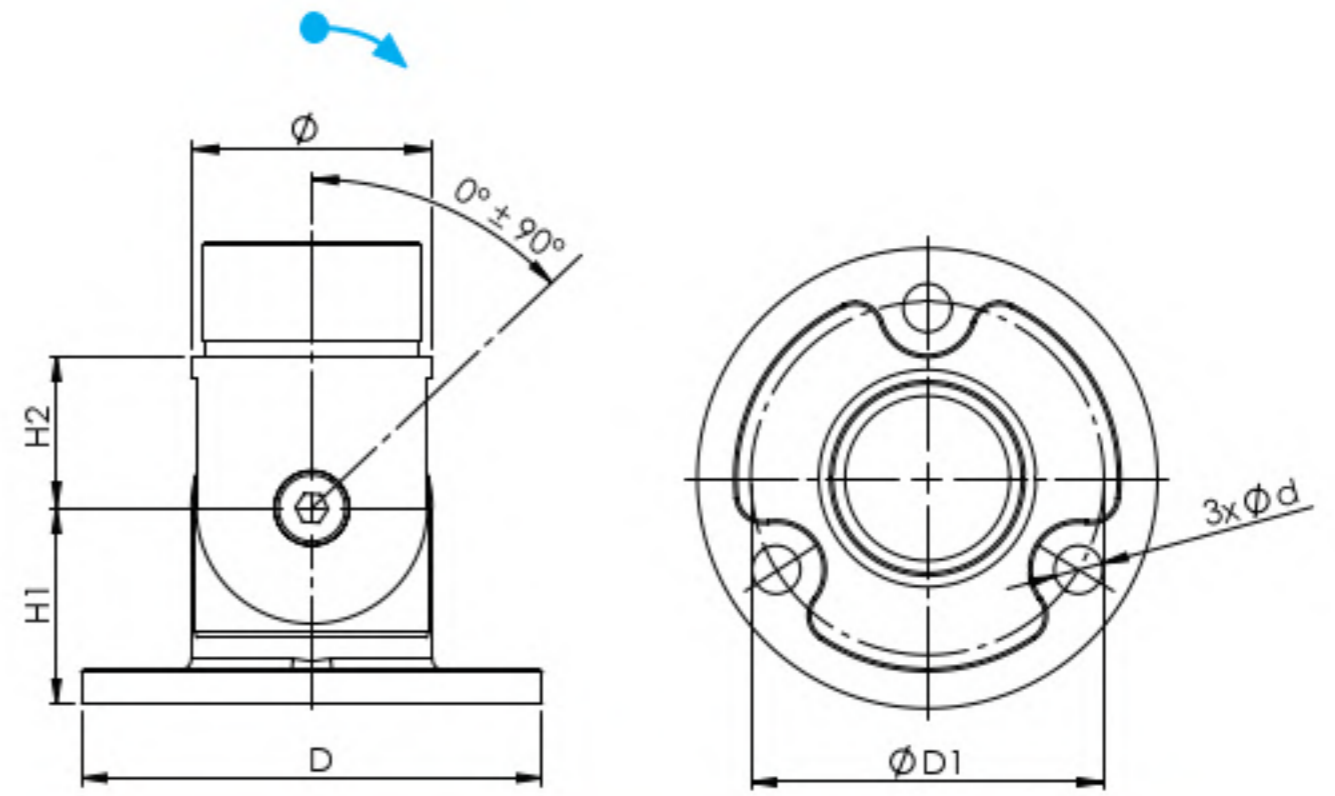
Quality	Finish	art.
AISI304	satin	A/0507-242
AISI316		A14/0507-242



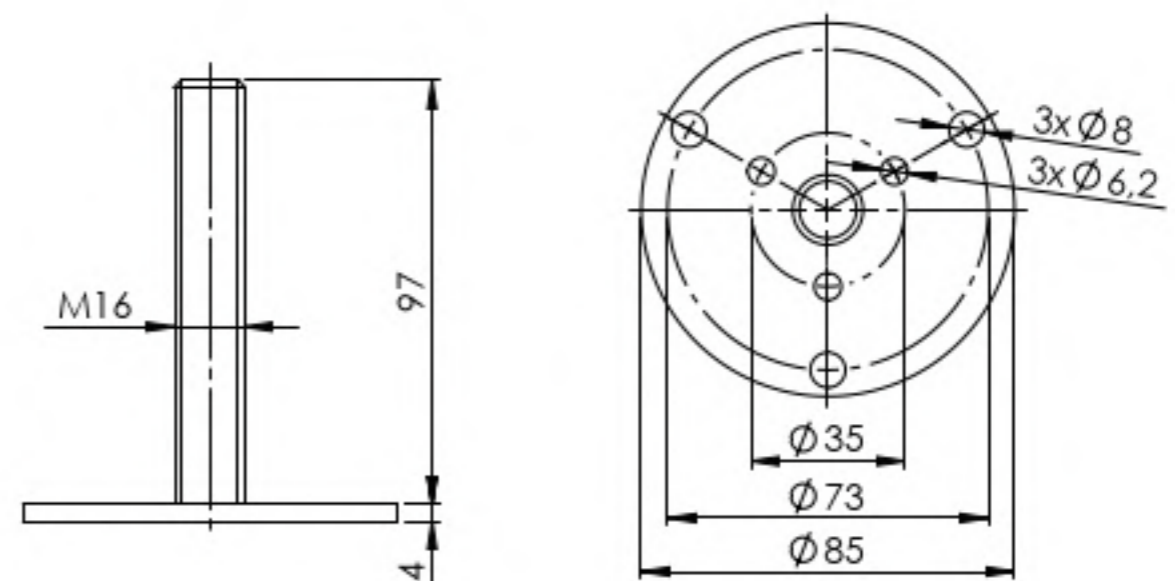
Quality	Finish	art.
AISI304	satin	A/0509-242



Quality	Finish	art.
AISI304	satın	A/0506-242-B

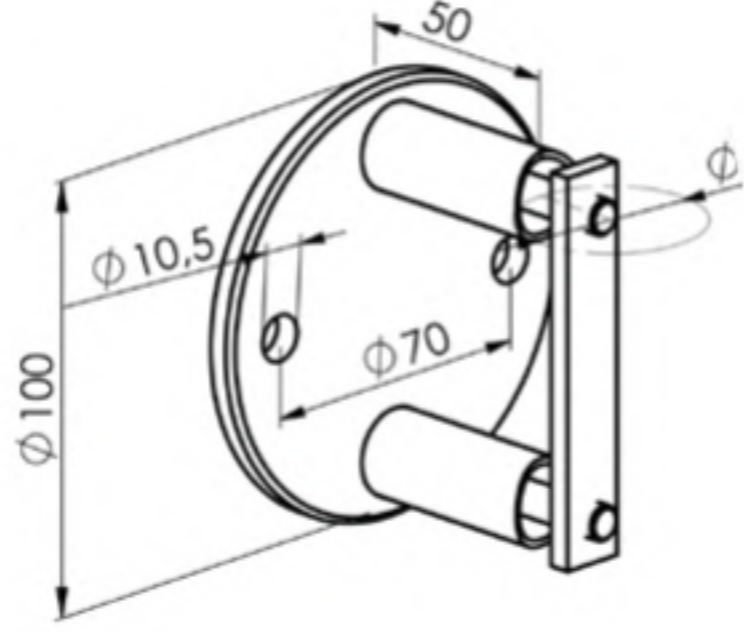


Quality	Finish	Ø	art.	D	D1	H1	H2	d
AISI304	satın	33,7x2	A/0945-233	70	50	29	21	6,5
AISI316		42,4x2	A14/0945-242-B	83	62	35	27	8,5



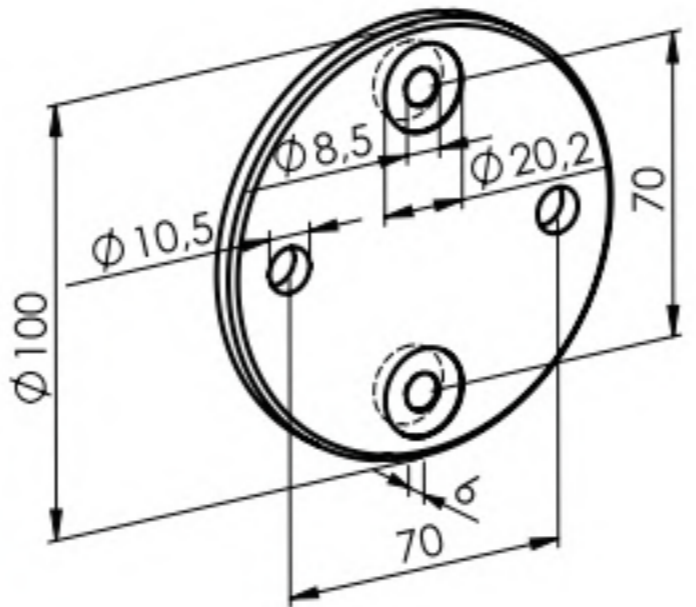
Quality	Finish	art.
Fe	Zinc	A6/80x5-M16





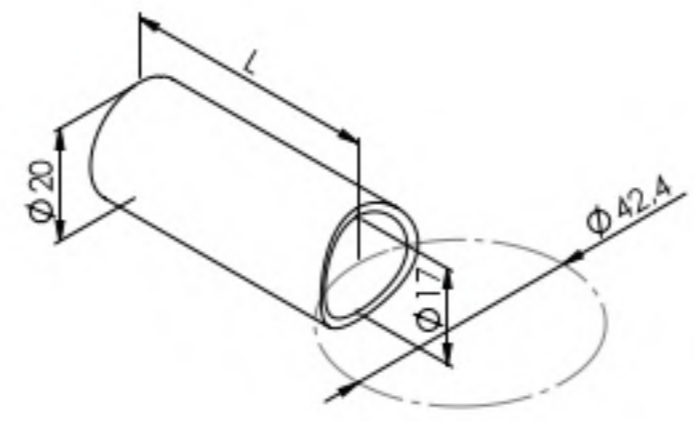
Quality	Finish	∅	art.
AISI304	satin	33,7	A6/021-033
		42,4	A6/021-6-A
		48,3	A6/021-048
AISI316	polish	42,4	A6/021-6-L
	satin		A14/021-6-A

top



Quality	Finish	art.
AISI304	raw	A6/021-6-A-flange

new

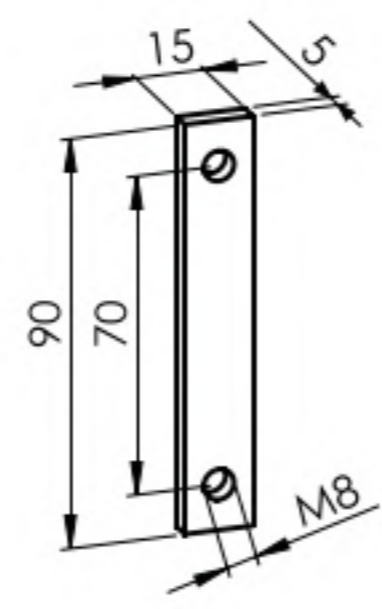


Quality	Finish	art.	L	recommended screw
AISI304	satin	A/012-15	15	A-DIN 7991-A2 M8x30
		A/012-25	25	A-DIN 7991-A2 M8x50
		A/012-35	35	A-DIN 7991-A2 M8x50
		A/012-45	45	A-DIN 7991-A2 M8x70
		A/012-62	62	A-DIN 7991-A2 M8x80
		A/012-75	75	A4-DIN 7991 M8x100
		A/012-100	100	-
AISI316	satin	A14/012-45	45	A4-DIN 7991 M8x70
		A14/012-70	70	A4-DIN 7991 M8x100

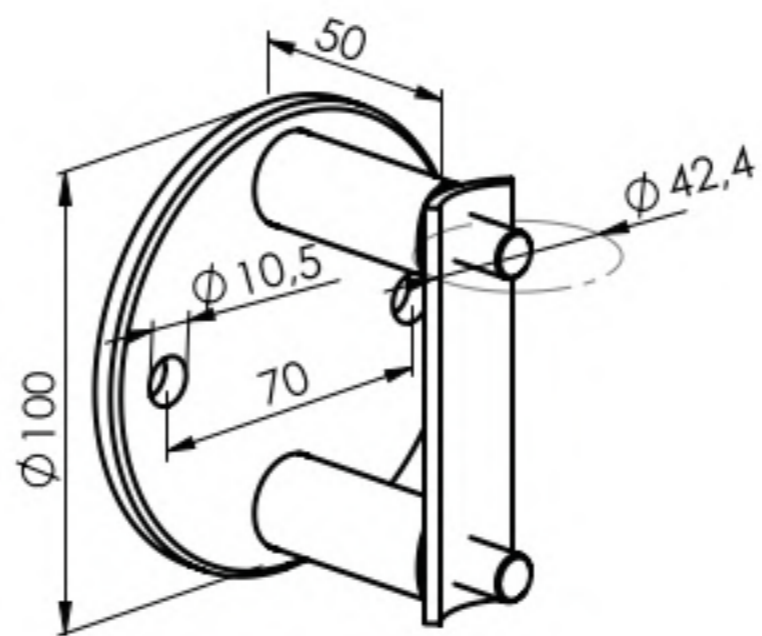
new

new

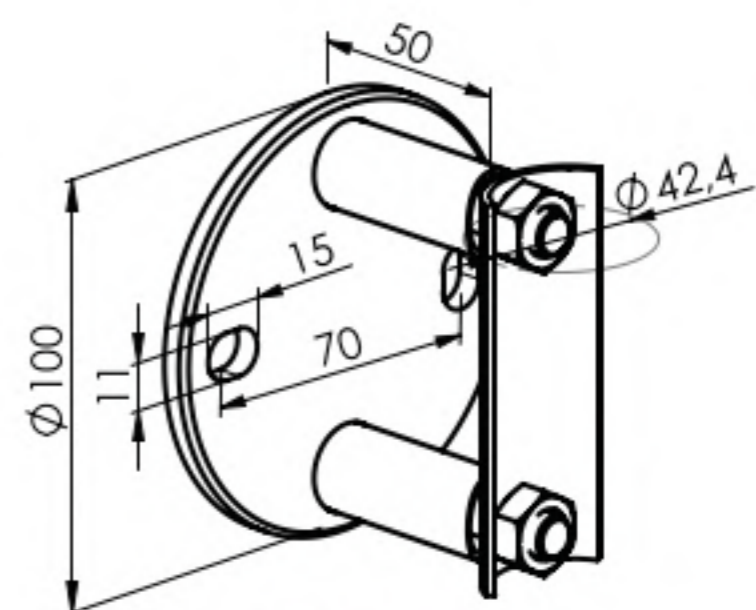
new



Quality	Finish	art.
AISI316	satin	A14/021-6-plate

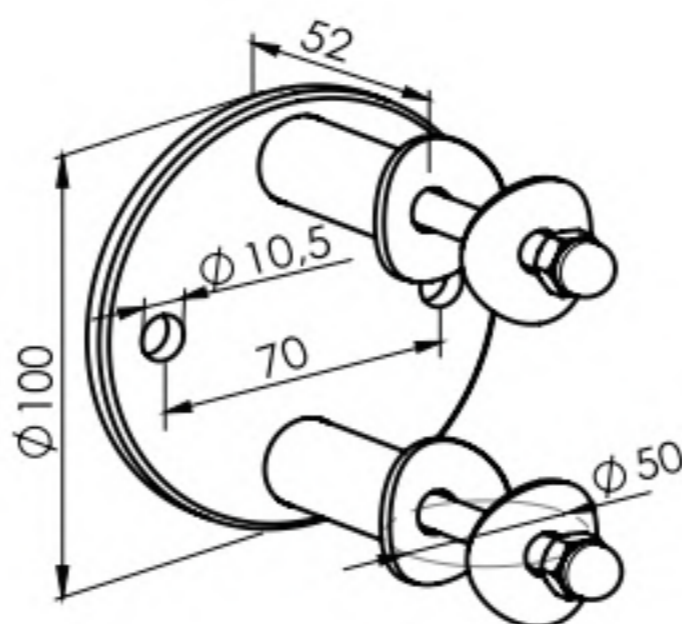


A6/021-6-A/B

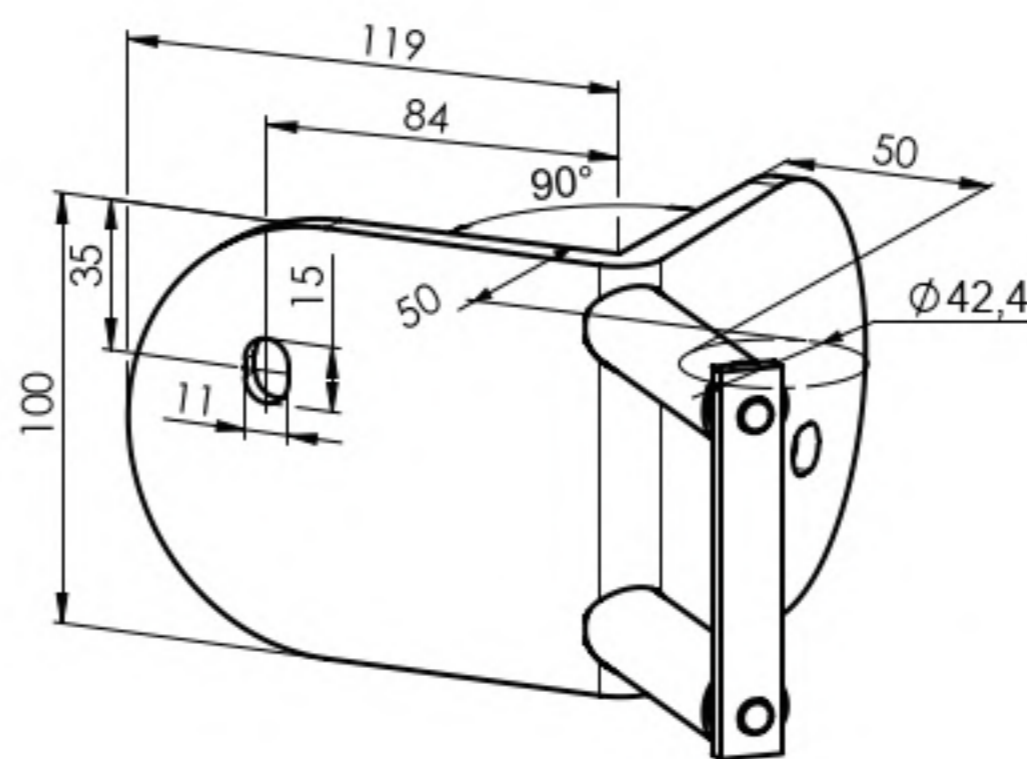
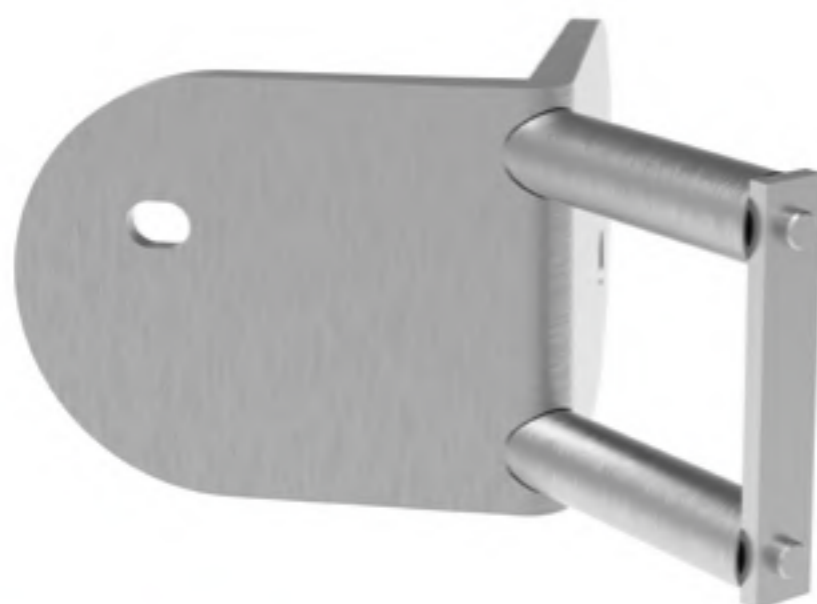


A6/021-6-A/C

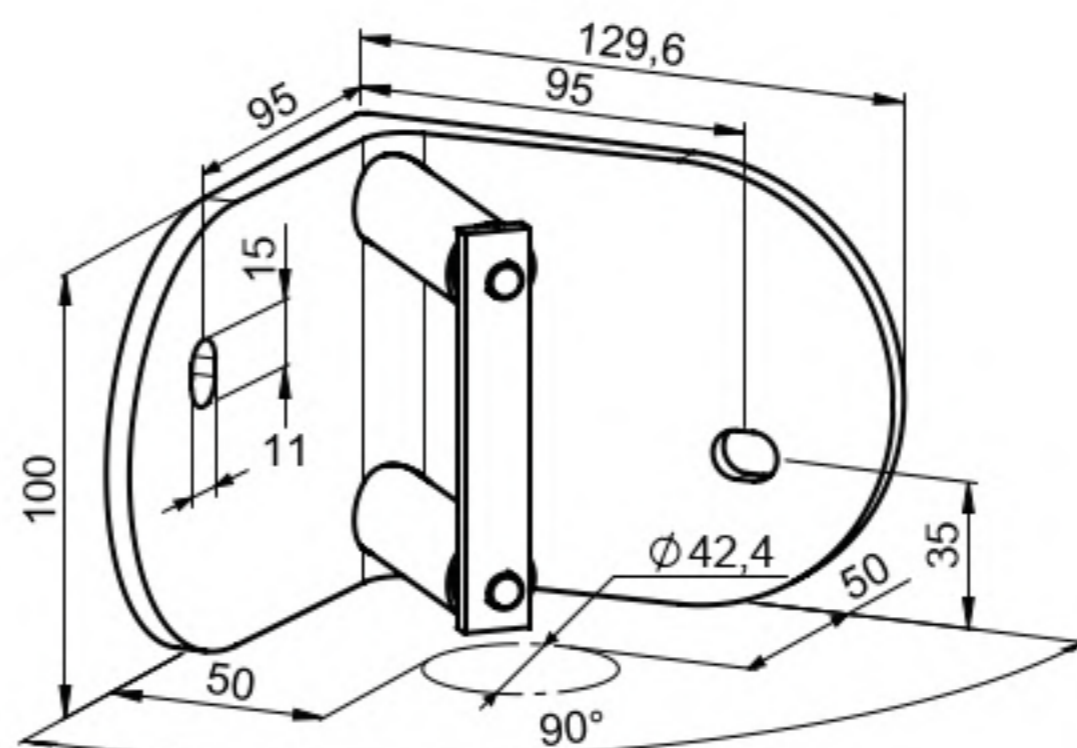
Quality	Finish	art.
AISI304	satın	A6/021-6-A/B
		A6/021-6-A/C



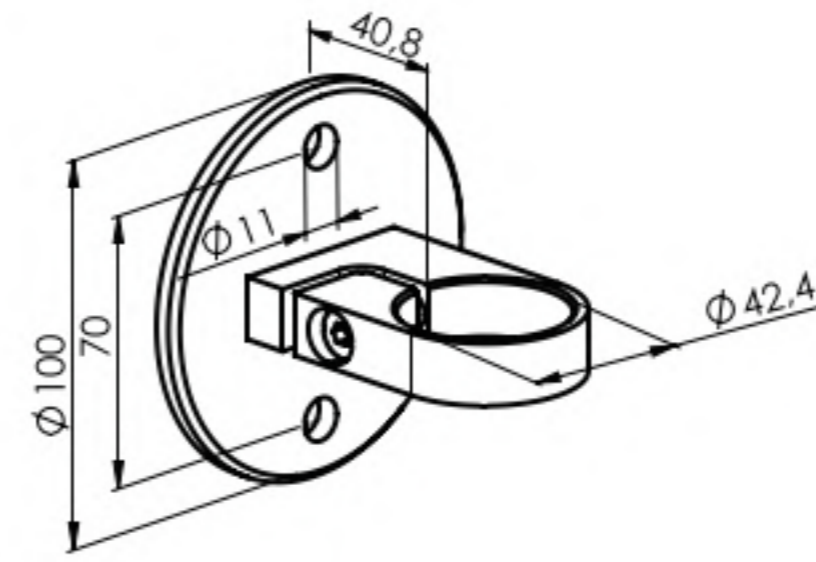
Quality	Finish	art.
AISI304	satın	A6/48



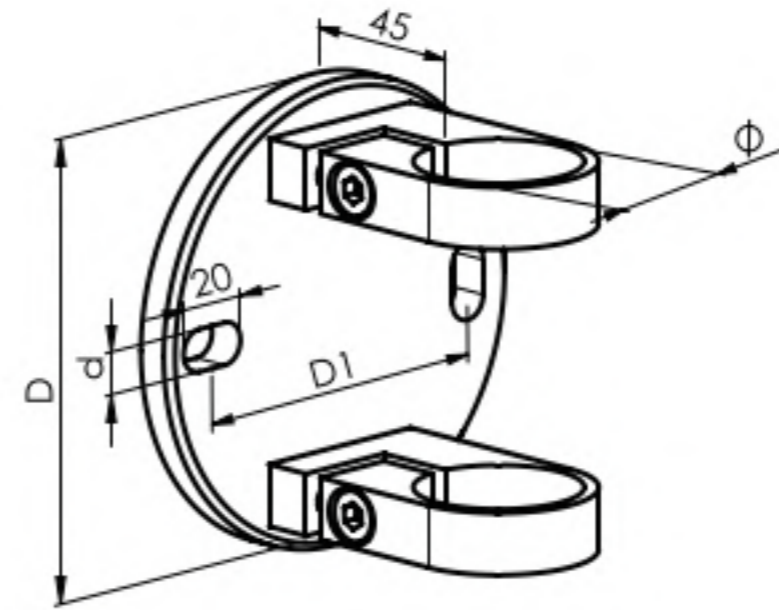
Quality	Finish	art.
AISI316	satın	A14/024-OUT-B



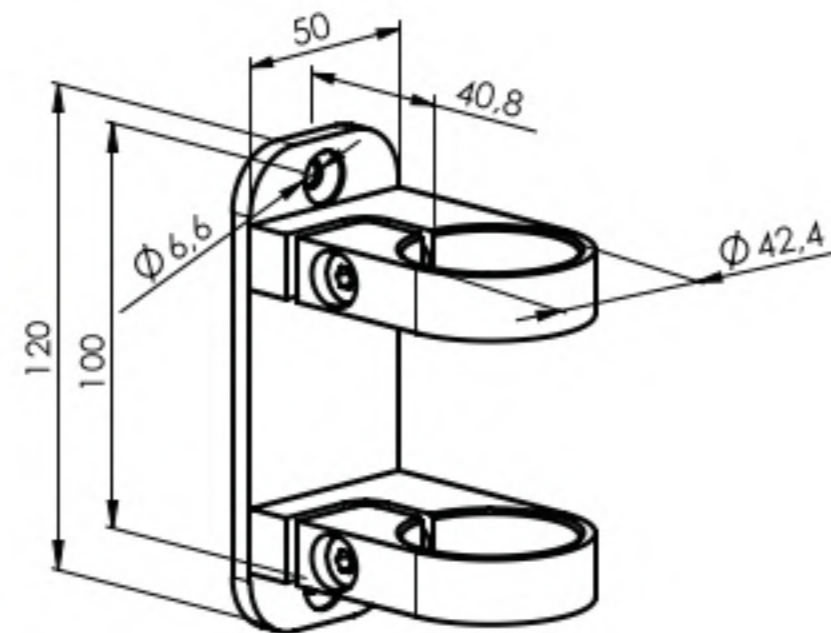
Quality	Finish	art.
AISI316	satın	A14/024-IN-B



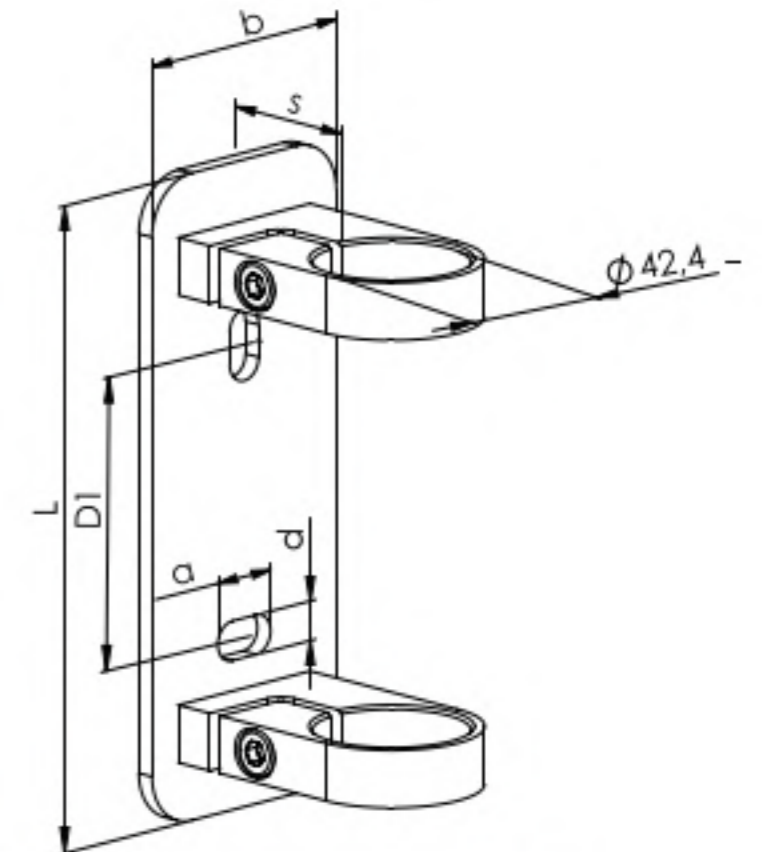
Quality	Finish	art.
AISI304	satın	A6/42



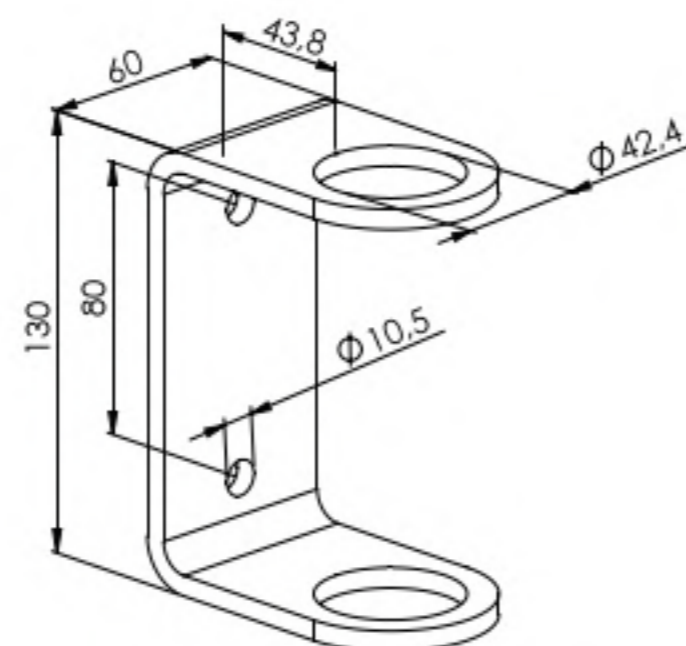
Quality	Finish	∅	art.	D	d
AISI304	satın	42,4	A6/2x42	120	11
			A14/2x42		
AISI316	satın	48,3	A14/2x42-150	150	13
			A14/2x48-150		



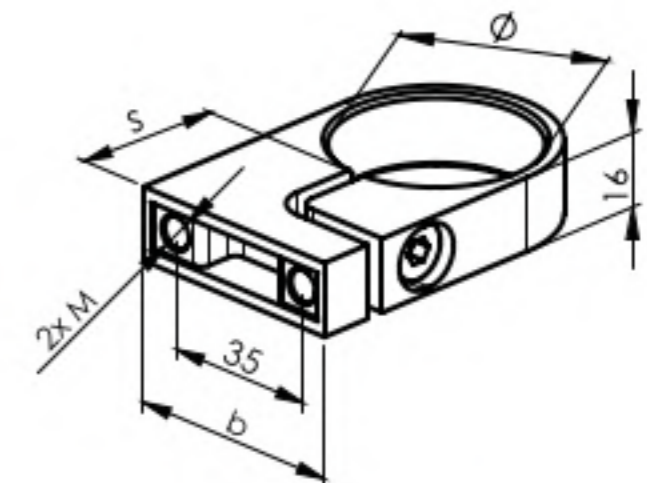
Quality	Finish	art.
AISI304	satın	A6/42-120x50



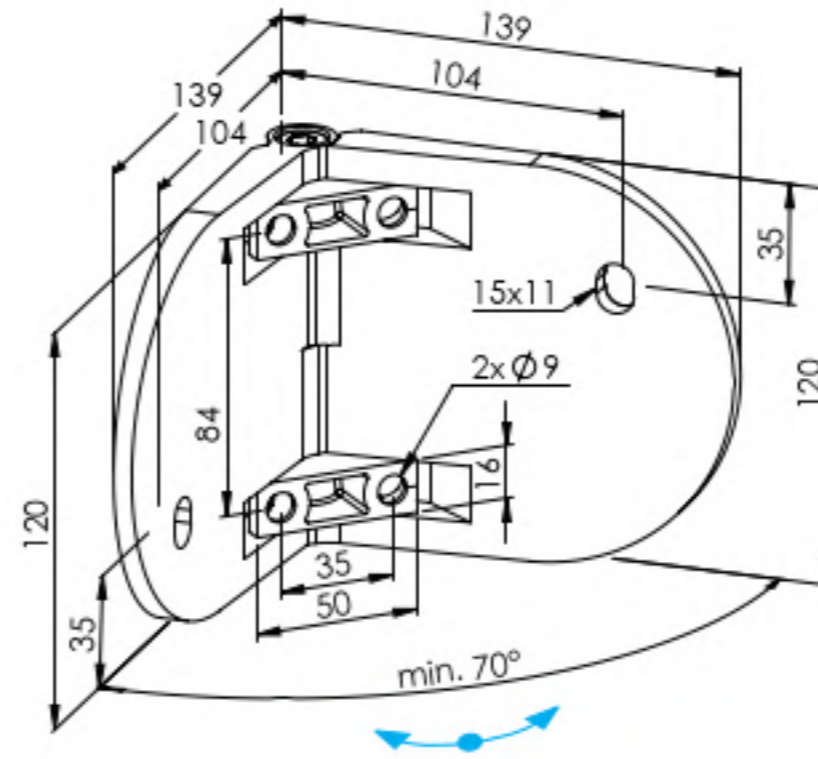
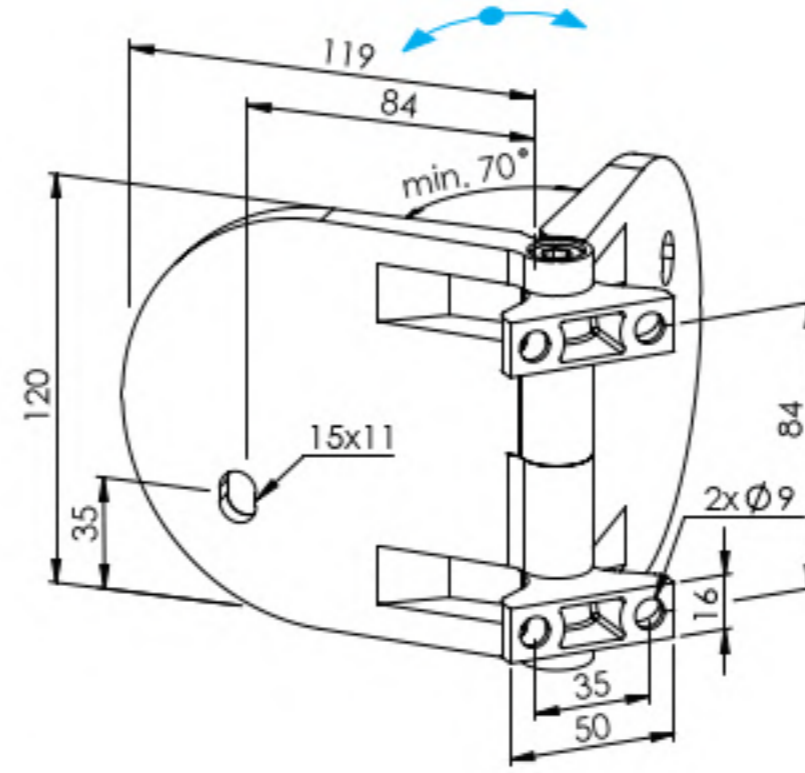
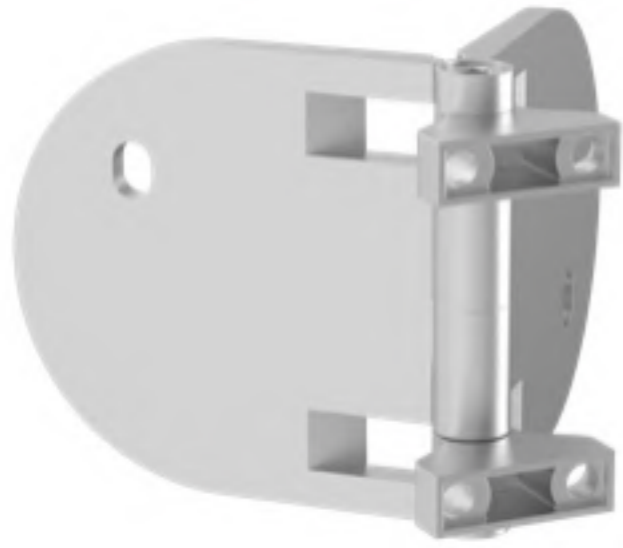
Quality	Finish	art.	L x b	s	d x a	D1
AISI304	satın	A6/42-180x70	180x70	40	11x20	81,5
AISI316		A14/42-135x54	135x54	36	11x13	70



Quality	Finish	art.
AISI304	satın	A6/42-130x60



Quality	Finish	∅	art.	M	s	b
AISI304	satın	33,7	A/3507-033	8	36	46
			A/3507-042			
AISI316	satın	42,4	A14/3507-042	6	35	50
			A14/3507-042-B			
		48,3	A14/3507-048	8	55	



Quality	Finish	art.
AISI316	satin	A14/2x00-90

new

CORNER OUT

Quality	Finish	art.
AISI316	satin	A14/2x00-90

new

Quantity	Quality	Finish	Ø	art.
2x	AISI304		33,7	A/3507-033
	AISI316	satin	42,4	A14/3507-042
	AISI316		48,3	A14/3507-048

Quantity	Quality	Finish	art.
4x	AISI316	raw	A4-DIN 7984 M8x12

new

CORNER IN

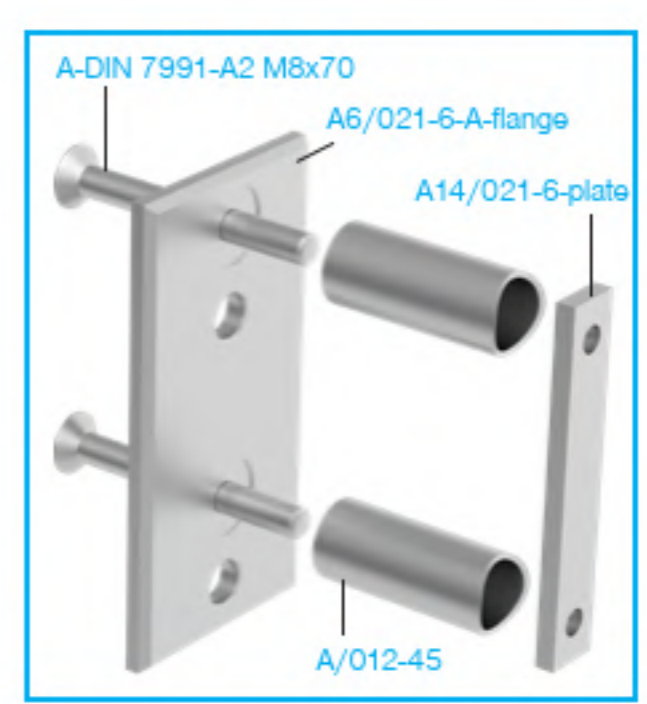
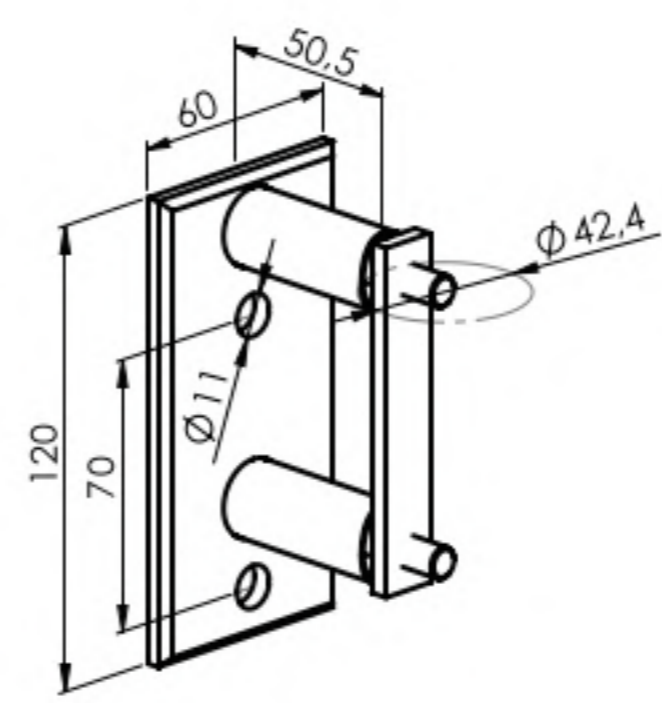
Quality	Finish	art.
AISI316	satin	A14/2x00-90

new

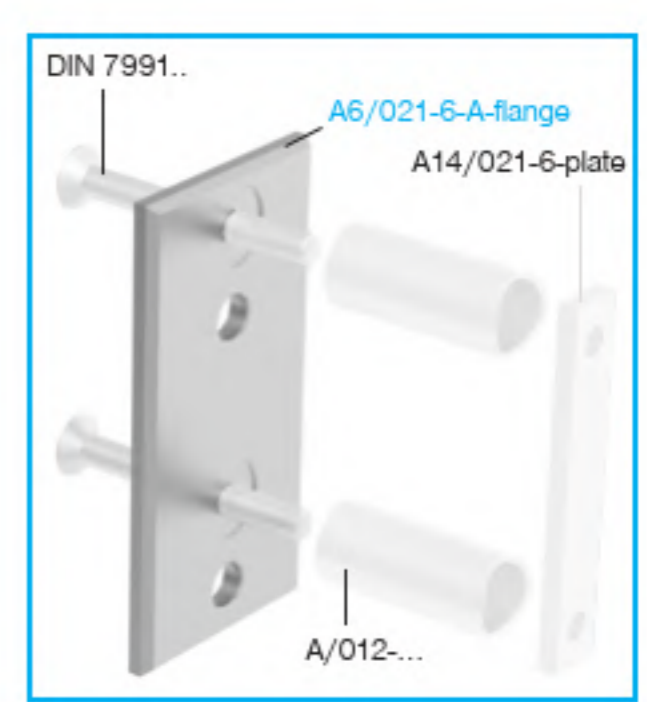
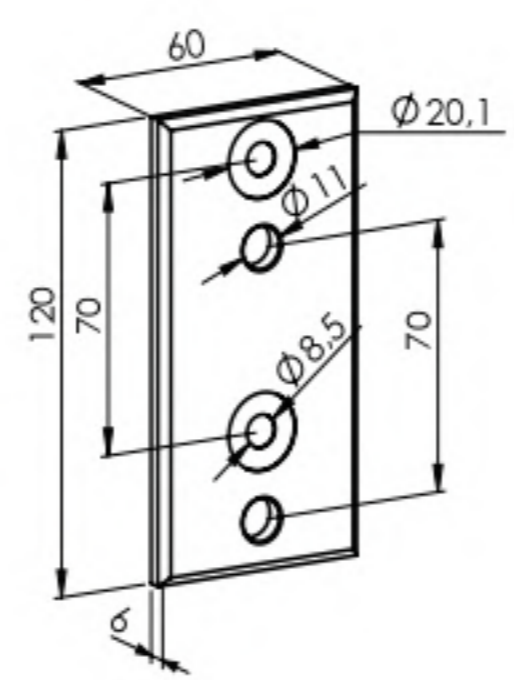
Quantity	Quality	Finish	Ø	art.
2x	AISI304		33,7	A/3507-033
	AISI316	satin	42,4	A14/3507-042
	AISI316		48,3	A14/3507-048

Quantity	Quality	Finish	art.
4x	AISI316	raw	A4-DIN 7984 M8x12

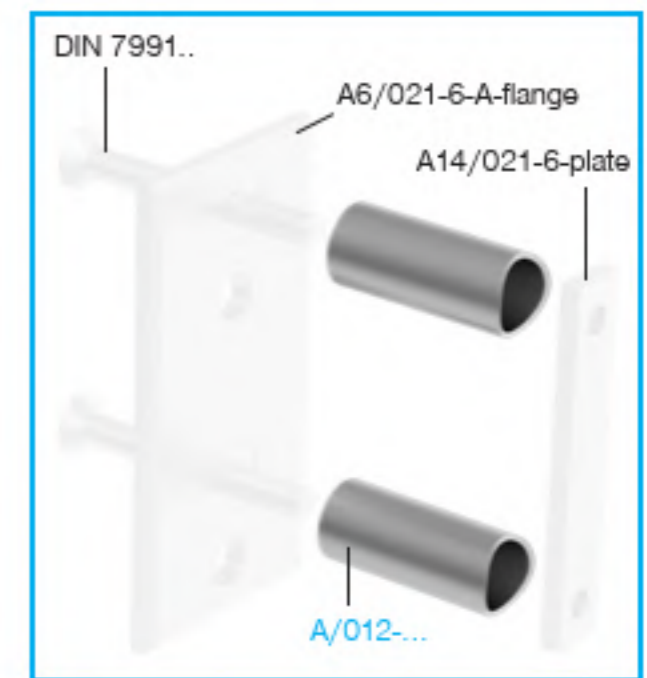
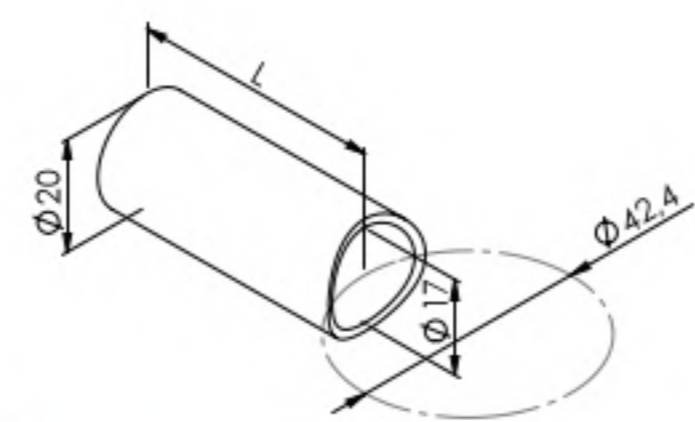
new



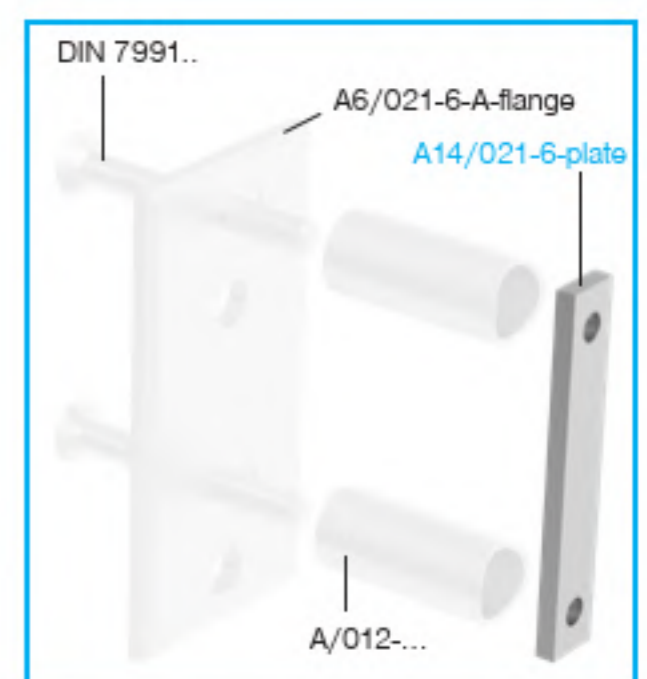
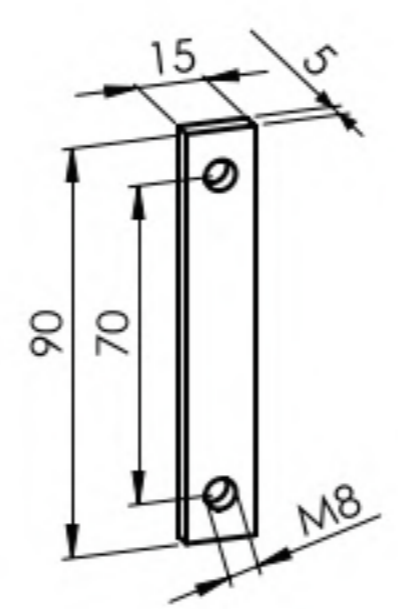
Quality	Finish	art.
AISI304	satın	A6/004-6
	polish	A6/004-6-L



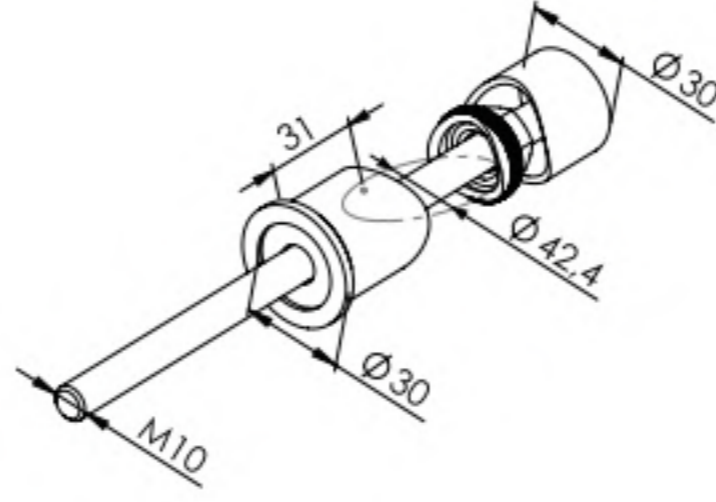
Quality	Finish	art.
AISI304	satın	A6/005-4-flange <i>new</i>



Quality	Finish	art.	L	recommended screw
AISI304	satın	A/012-15	15	A-DIN 7991-A2 M8x30 <i>new</i>
		A/012-25	25	A-DIN 7991-A2 M8x50 <i>new</i>
		A/012-35	35	A-DIN 7991-A2 M8x50
		A/012-45	45	A-DIN 7991-A2 M8x70
		A/012-62	62	A-DIN 7991-A2 M8x80
		A/012-75	75	A4-DIN 7991 M8x100
		A/012-100	100	-
AISI316		A14/012-45	45	A4-DIN 7991 M8x70
		A14/012-70	70	A4-DIN 7991 M8x100

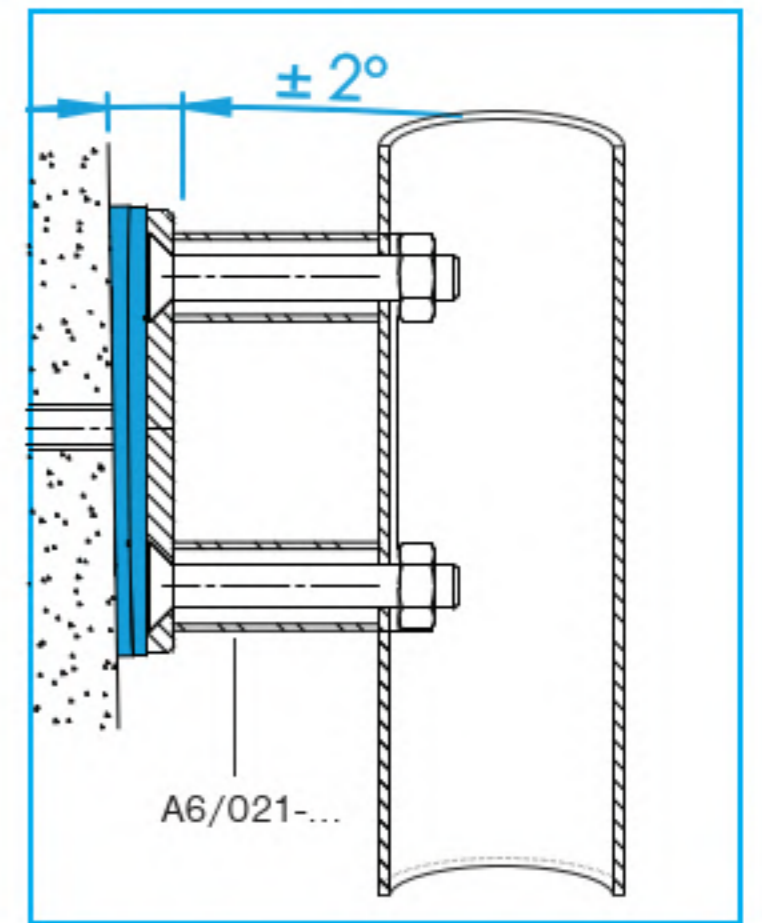
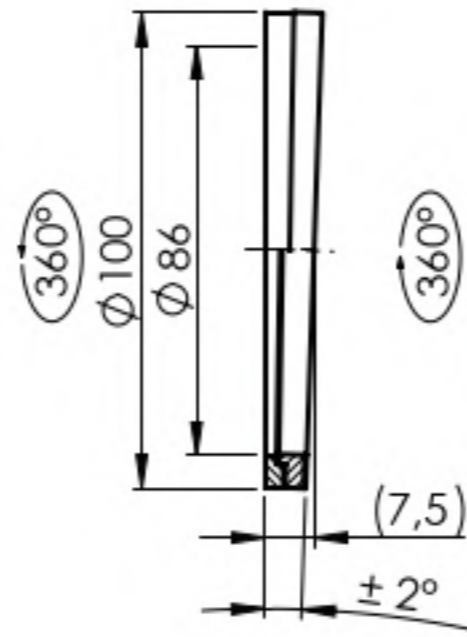


Quality	Finish	art.
AISI316	satın	A14/021-6-plate



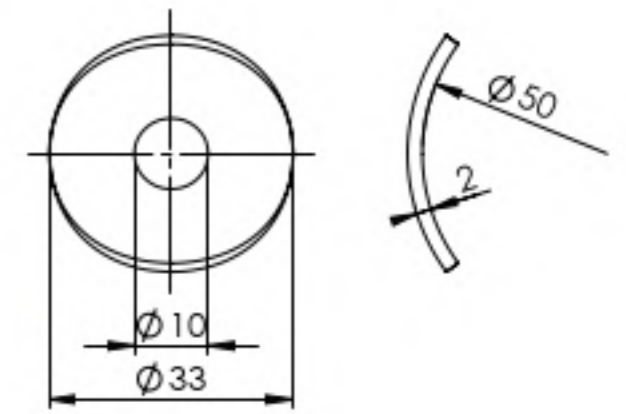
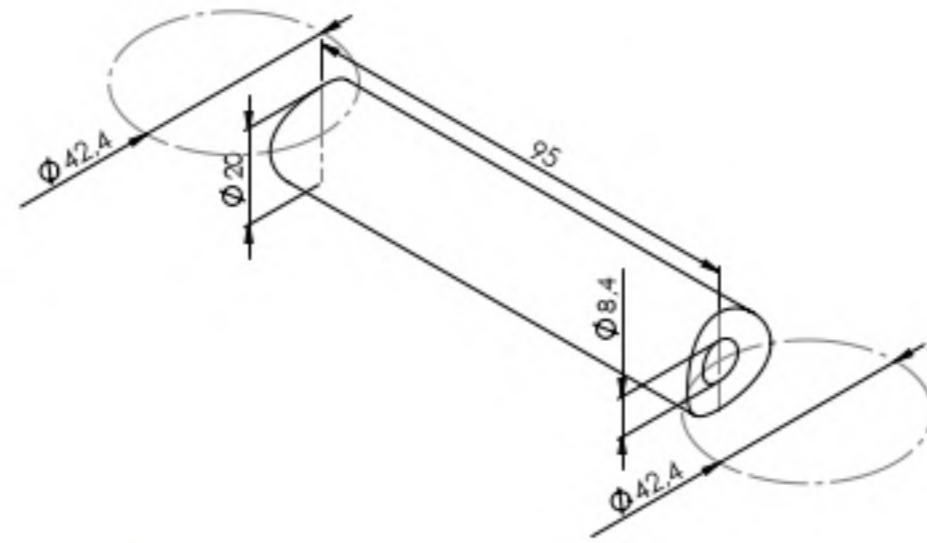
Quality	Finish	art.
AISI304	satin	A6/42-20-B

top



Quality	Finish	art.
AISI304	natural	Q10/ANGLE-0-2-100

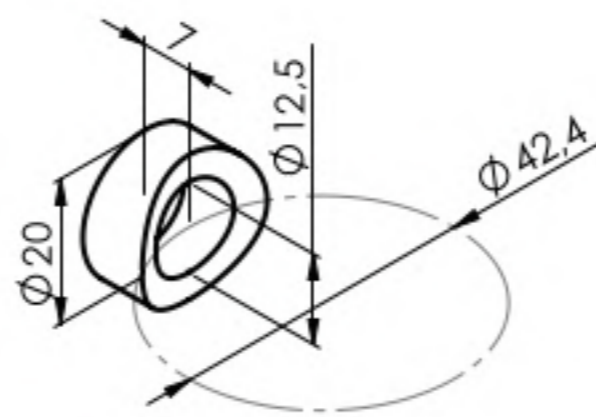
new



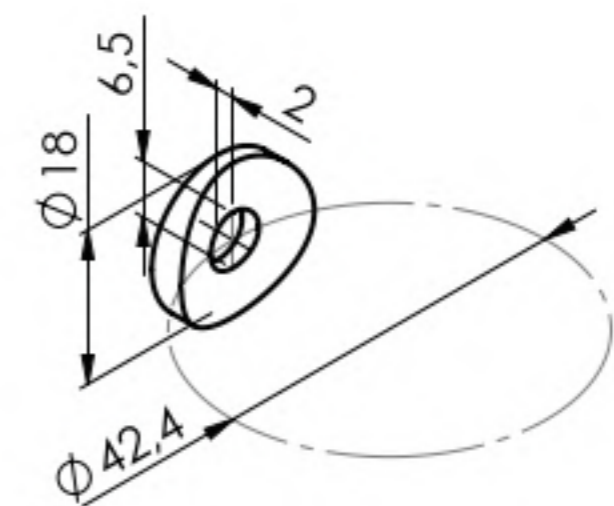
Quality	Finish	art.
AISI304	satin	A/012-95



Quality	Finish	art.
AISI304	satin	A/1732-033-R25



A/012-07

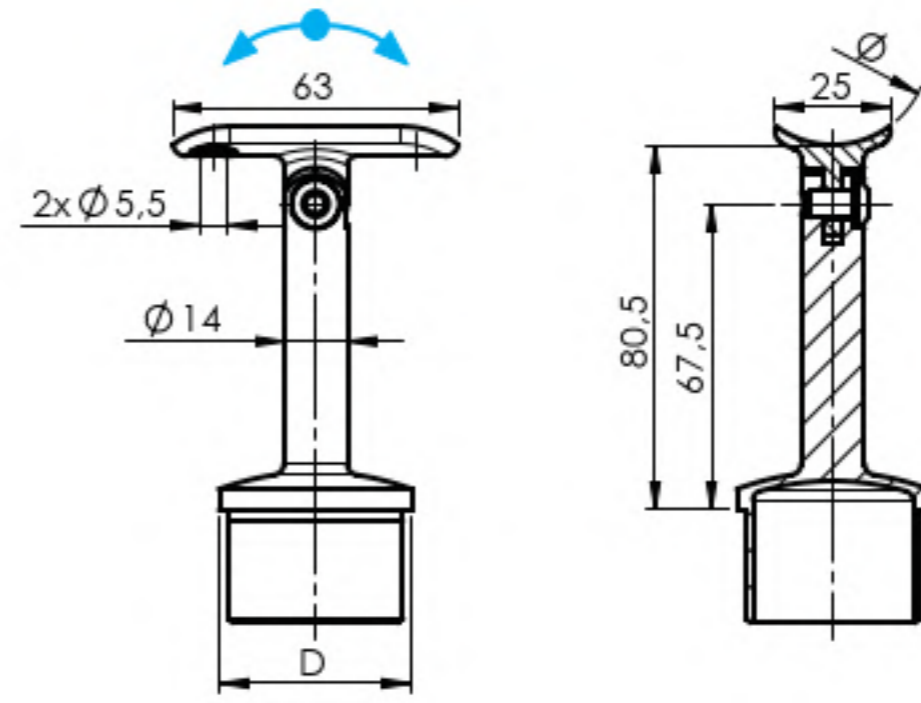
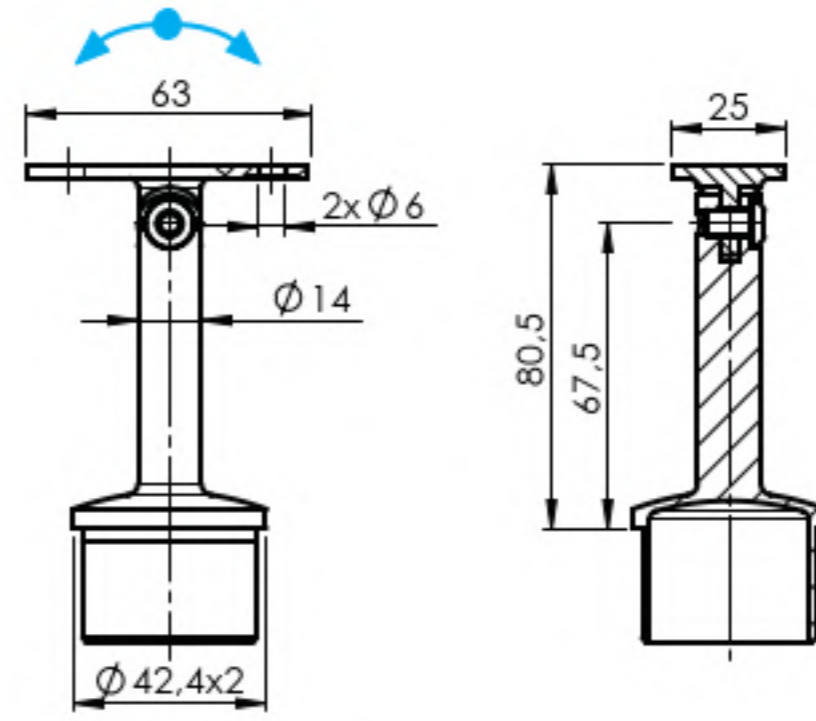


A14/012-02

Quality	Finish	art.
AISI304	satin	A/012-07
AISI316		A14/012-02



Quality	Finish	art.
AISI304	satin	A/0718-200-B

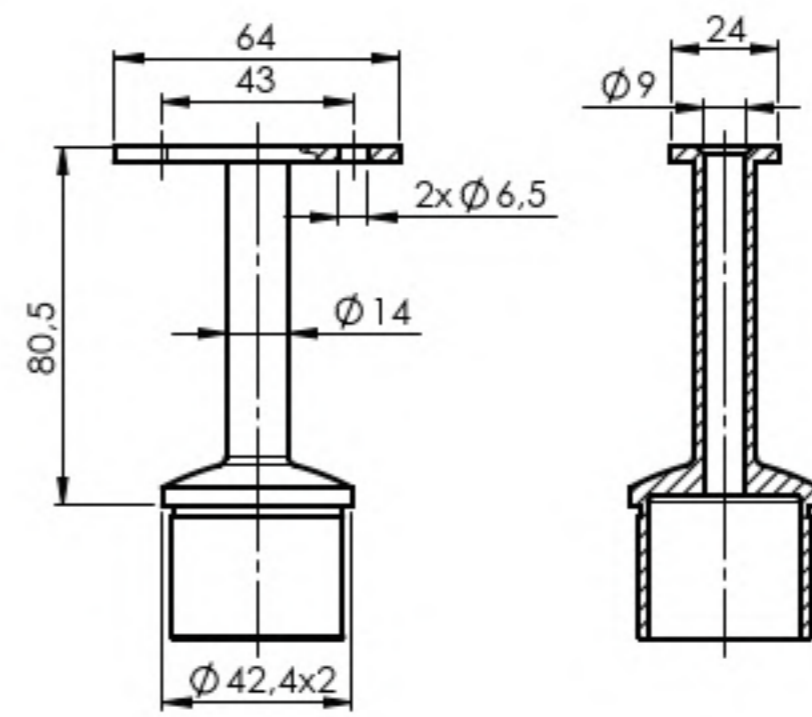


Quality	Finish	Ø	art.	D
AISI304	satin	33,7	A/0717-233	33,7x2,0
	PVD Black	42,4	A/0718-242	42,4x2,0
			A-PVD/0718-242	
	satin	48,3	A/0718-248 A/0719-248	48,3x2,0
AISI316	polish	42,4	A/0718-242-L	42,4x2,0
	satin	42,4	A14/0718-242	42,4x2,0
		48,3	A14/0719-249	
polish	42,4	A14/0718-242-L	42,4x2,0	

top new

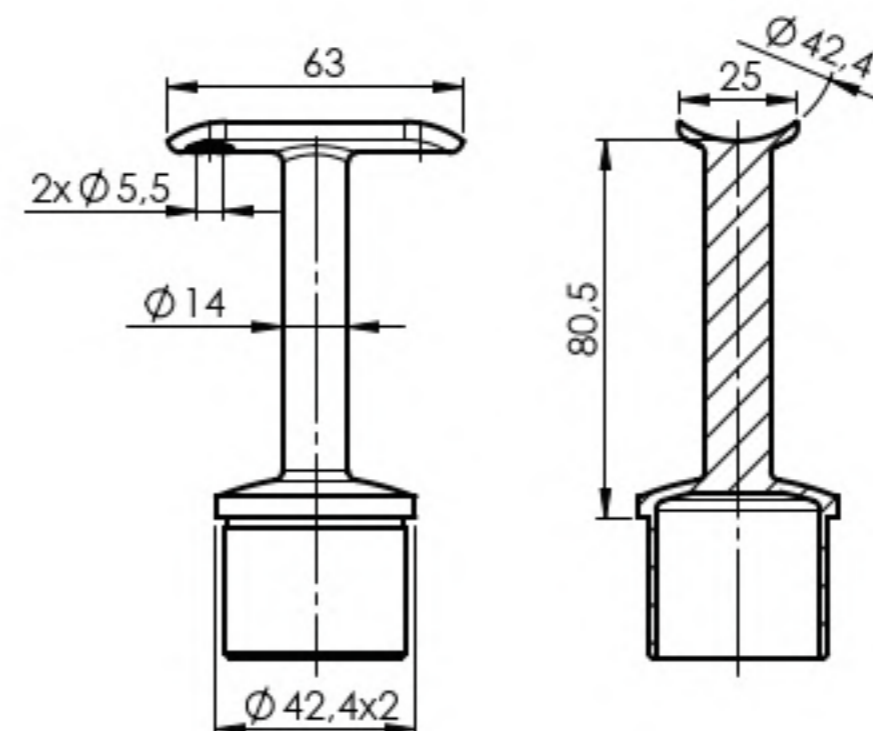


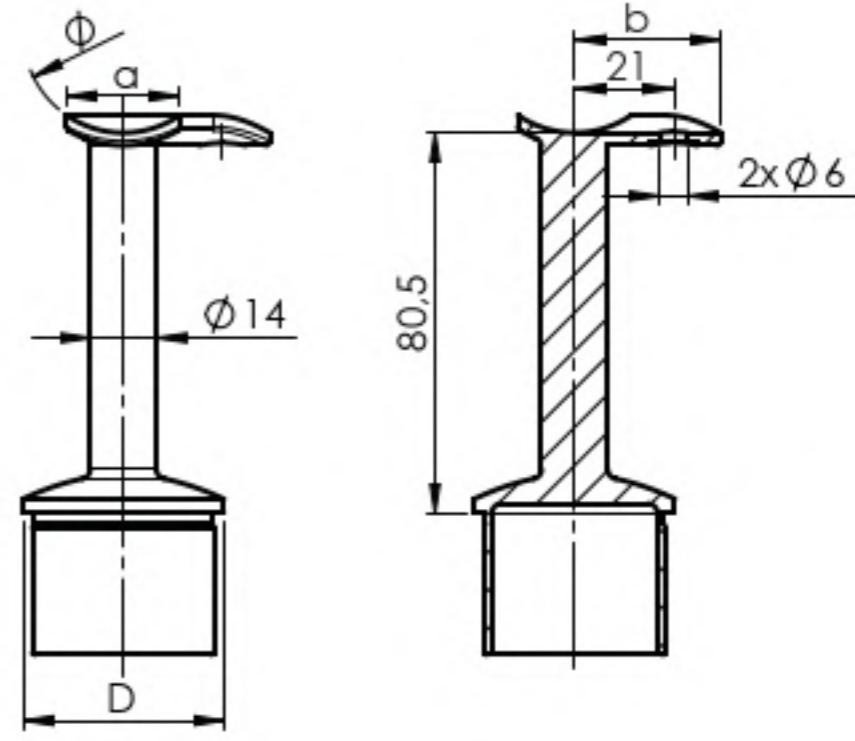
Quality	Finish	art.
AISI304	satin	A/0710-242-LED



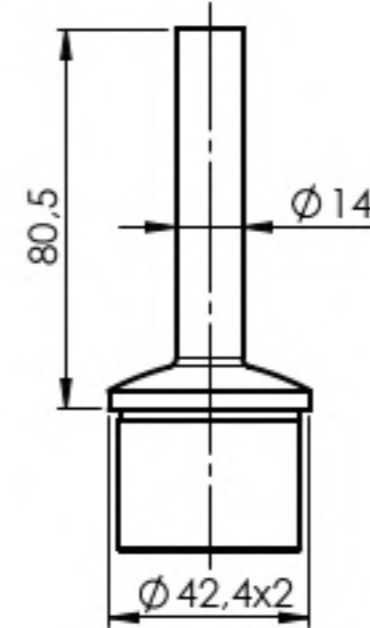
Quality	Finish	art.
AISI304	satin	A/0710-242
	polish	A/0710-242-L
AISI316	satin	A14/0710-242
	polish	A14/0710-242-L

top

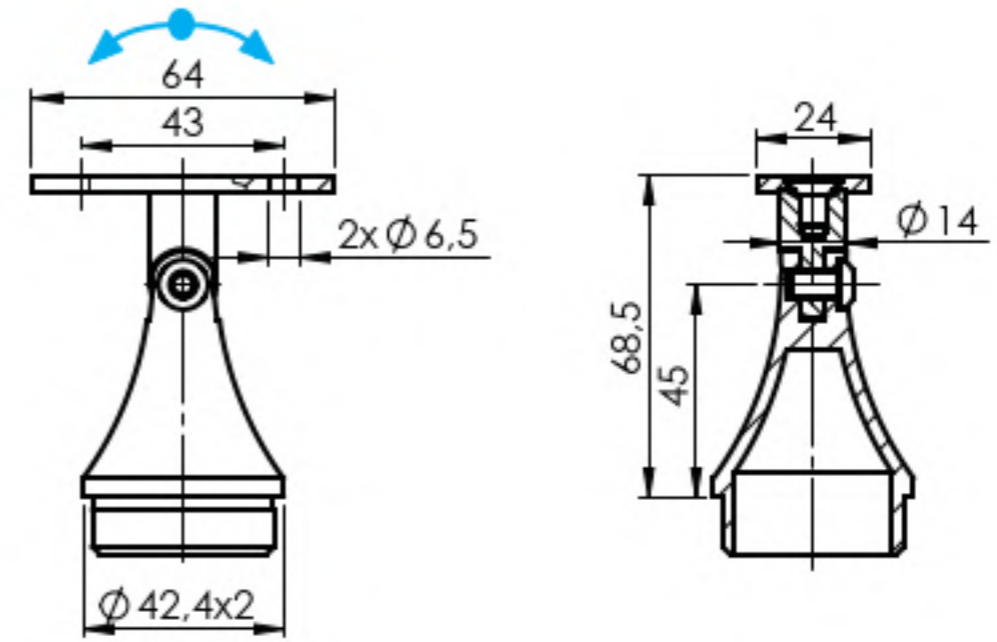




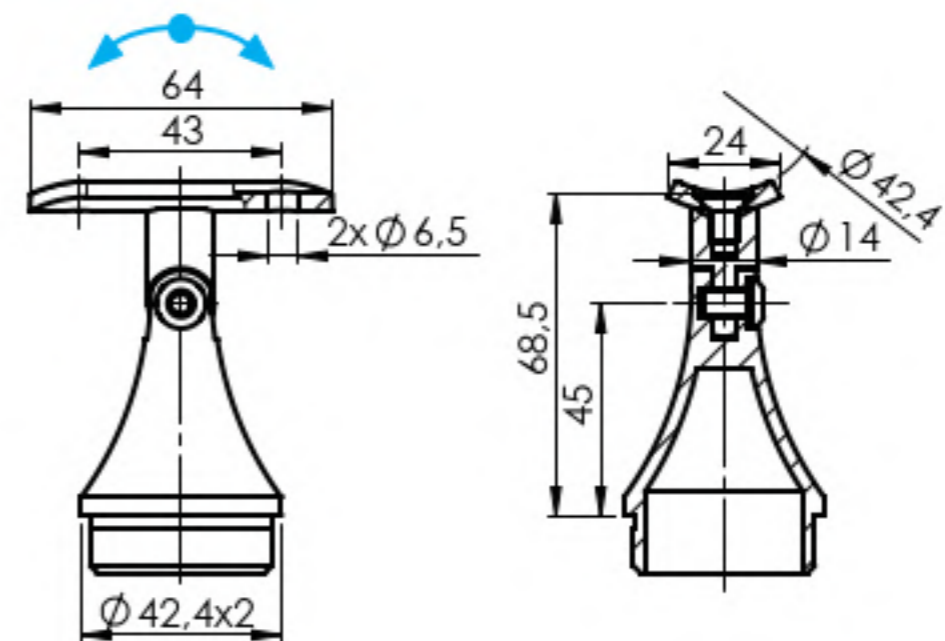
Quality	Finish	ϕ	art.	a	b	D	compatibility
AISI304	satin	42,4	A/0711-842	24	31	42,4x2,0	...0301-242
			A/0710-842				...0303-242
	polish	A/0710-842-B	26,5	36,7	...0303-242		
AISI316	satin	48,3	A14/0710-842	24	31	48,3x2,6	...0303-248
			A14/0712-849			...0303-248	
	polish	A14/0710-842-L	42,4		42,4x2,0	...0303-242	



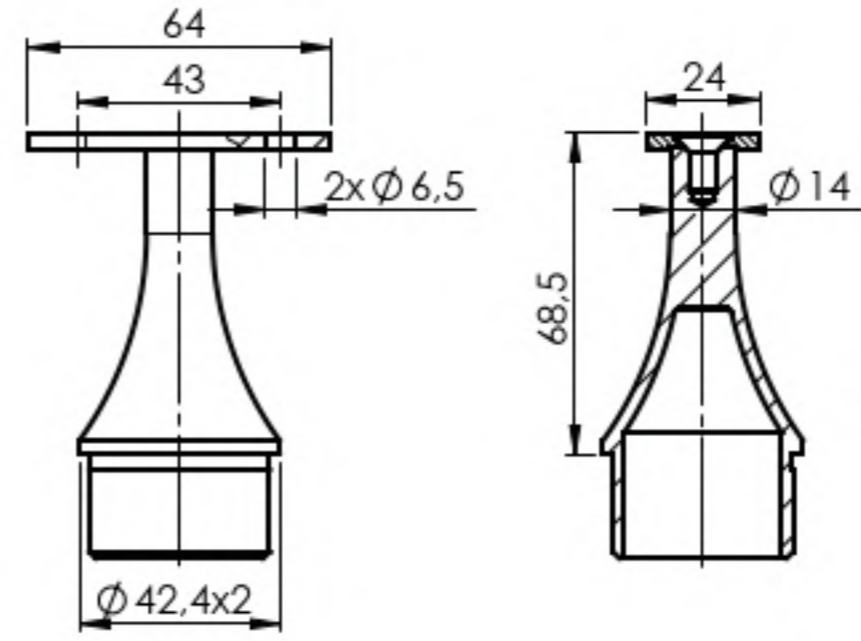
Quality	Finish	art.
AISI304	satin	A/0700-042



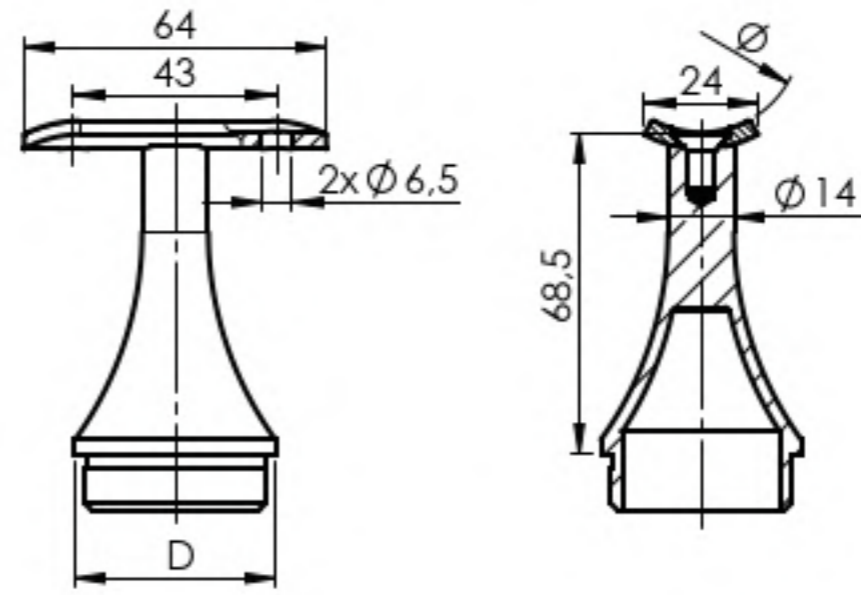
Quality	Finish	art.
AISI304	satin	A/0716-000



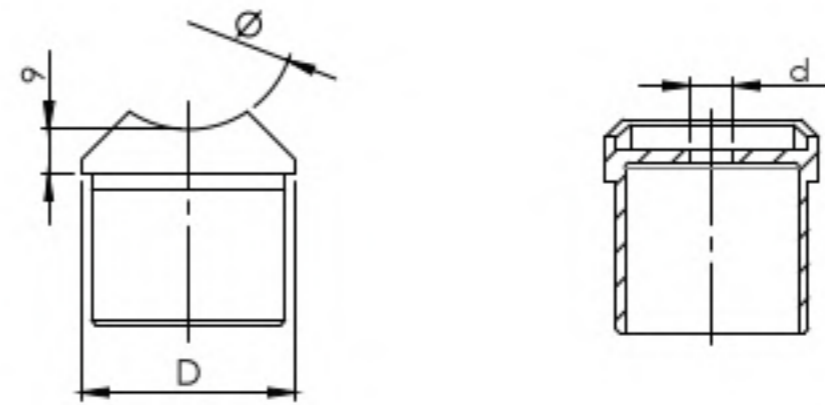
Quality	Finish	art.
AISI304	satin	A/0716-242



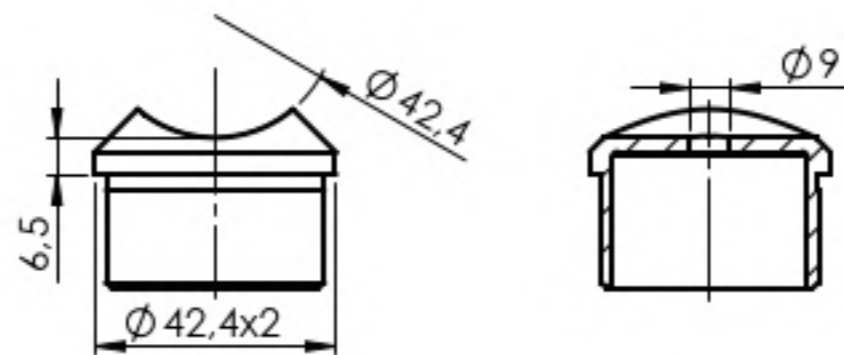
Quality	Finish	art.
AISI304	satin	A/0713-000



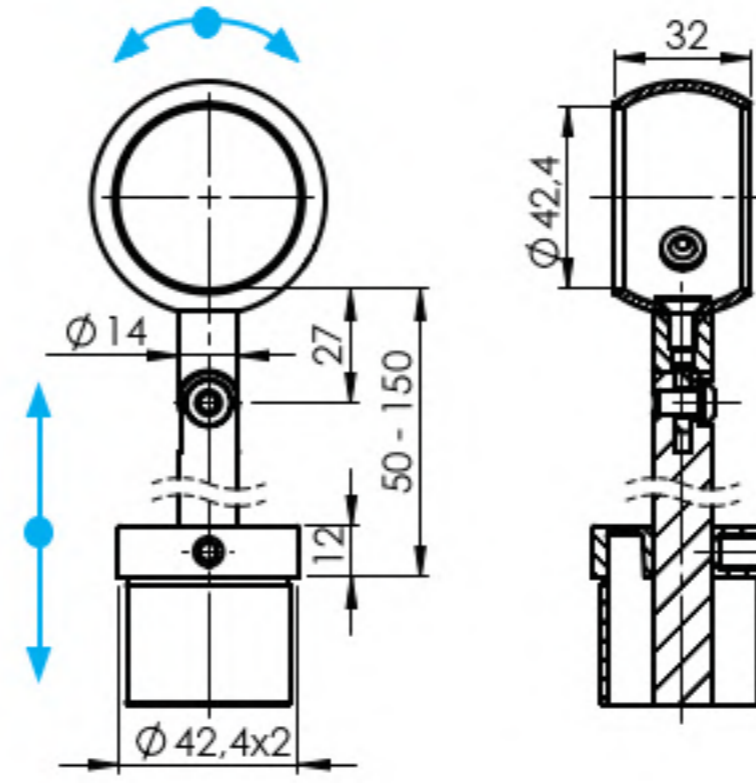
Quality	Finish	Ø	art.	D
AISI304	satin	42,4	A/0713-242	42,4x2,0
		48,3	A/0713-248	48,3x2,0



Quality	Finish	Ø	art.	D	d
AISI304	satin	42,4	A/0727-233	33,7x2,0	7
AISI316			A/0727-242-C	42,4x2,0	8,5
			A14/0727-242-C		
		48,3	A14/0729-249	48,3x2,6	9

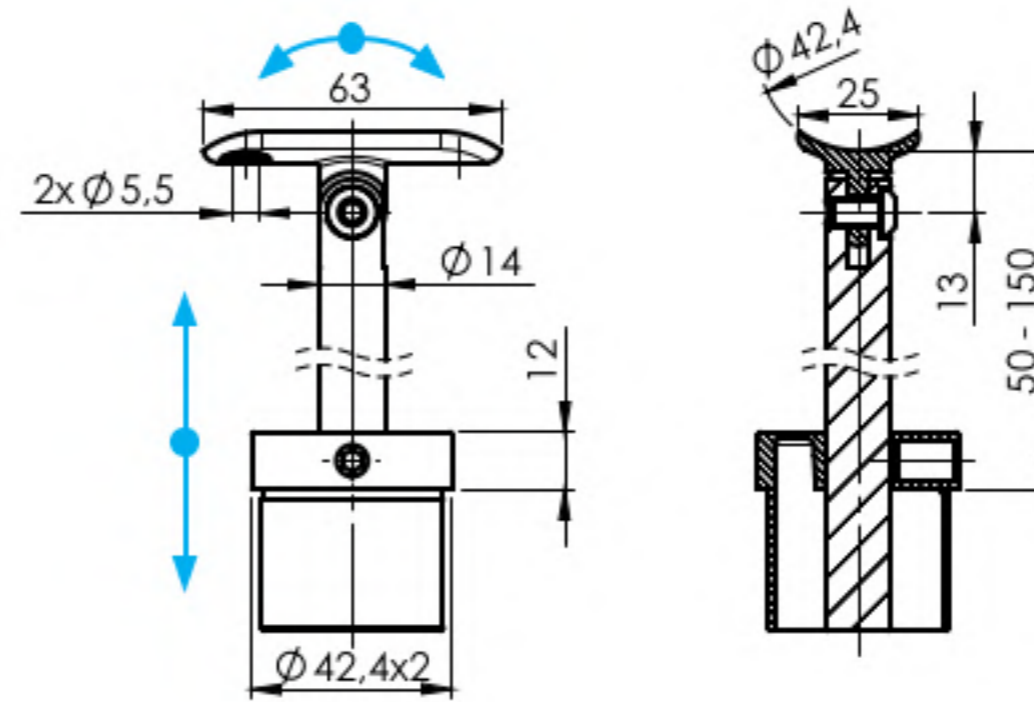


Quality	Finish	art.
AISI304	satin	A/0727-242-S <i>top</i>
	polish	A/0727-042-S-L

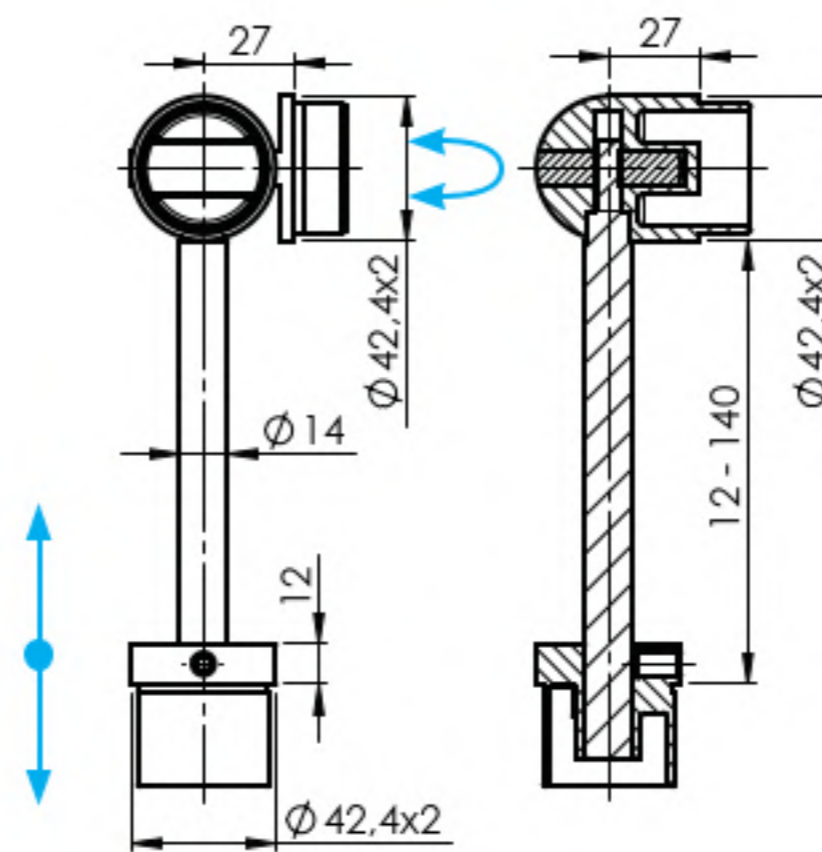


Quality	Finish	art.
AISI304	satin	A/0714-042
AISI316		A14/0714-042

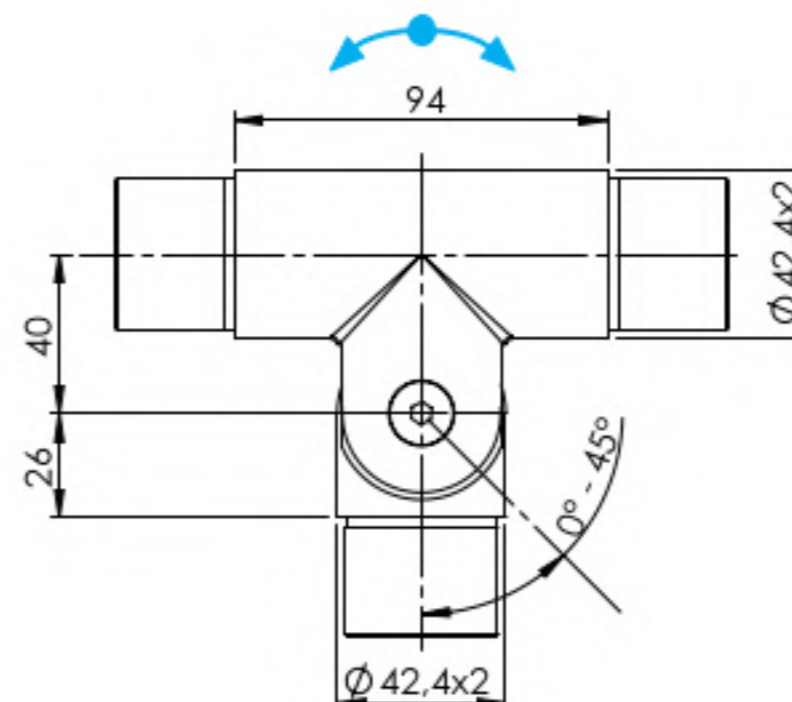
new



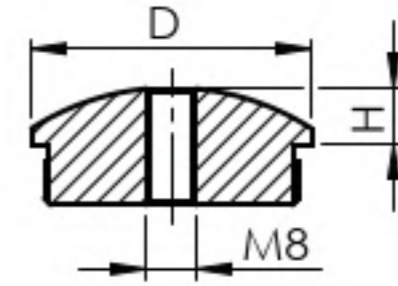
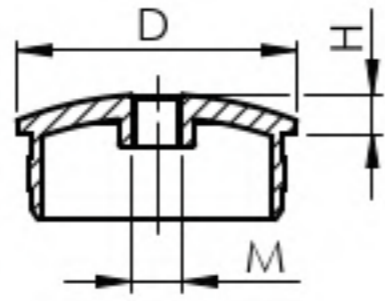
Quality	Finish	art.
AISI304	satin	A/0715-242



Quality	Finish	art.
AISI304	satin	A/0720-242
		A14/0720-242



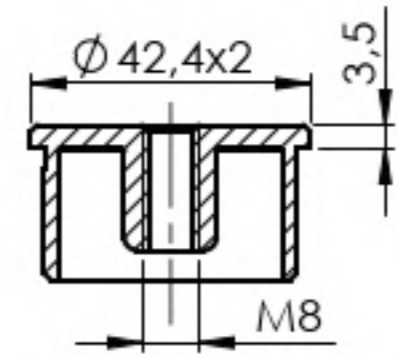
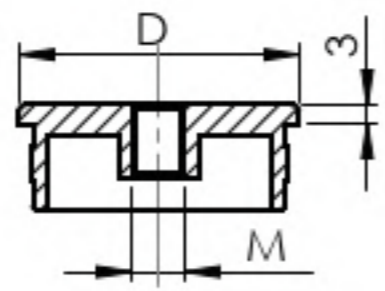
Quality	Finish	art.
AISI304	satin	A/0722-242



Quality	Finish	D	art.	H	M
AISI304	satin	33,7x2,0	A/5735-233-R	4	8
			A/5735-242		10
	polish	42,4x2,0	A/5735-242-R	6	8
			A/5735-242-R-L		
AISI316	satin	48,3x2,0	A/5735-248-R	8	
		42,4x2,0	A14/5735-242-R	6	

top

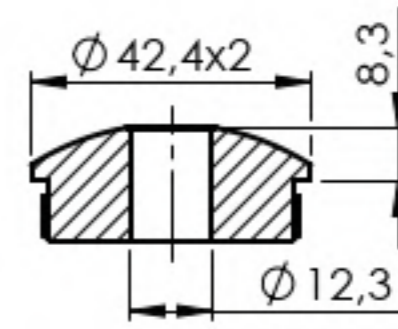
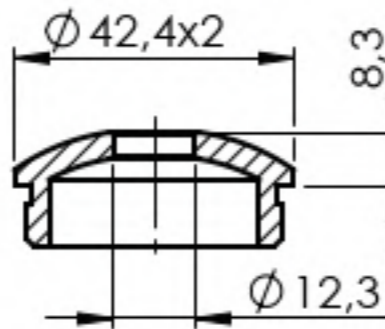
Quality	Finish	D	art.	H
AISI304	satin	33,7x2,0	A/5734-233	7
		42,4x2,0	A/5734-242	8,5
			A/5734-243	7
		48,3x2,0	A/5734-248	8,5



Quality	Finish	D	art.	M
AISI304	satin	33,7x2,0	A/5736-233	8
			A/5736-242	
	polish	42,4x2,0	A/5736-242-M10	10
			A/5736-242-L	
AISI316	satin	48,3x2,0	A/5736-248	8
		42,4x2,0	A14/5736-242	

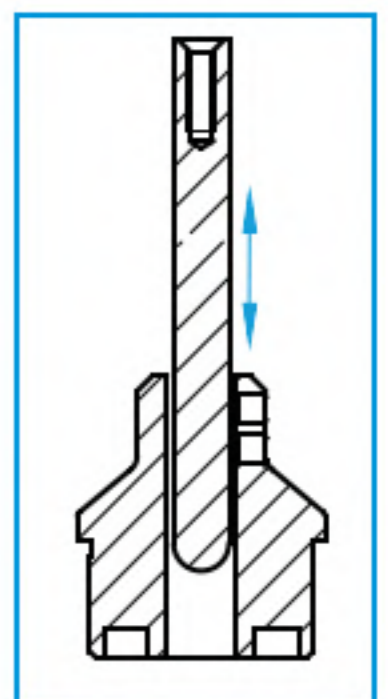
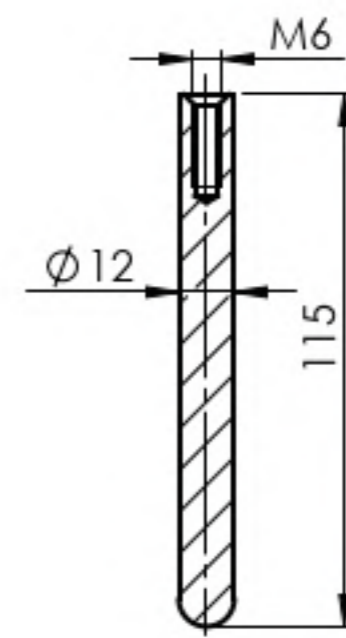
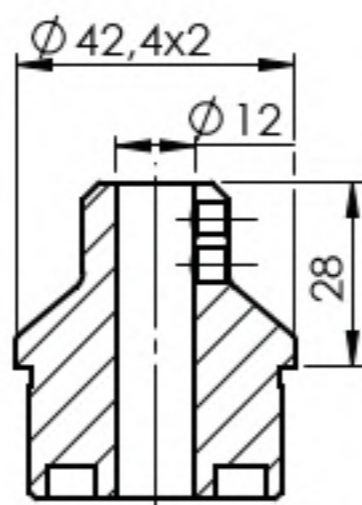
top

Quality	Finish	art.
AISI304	satin	A/5737-242



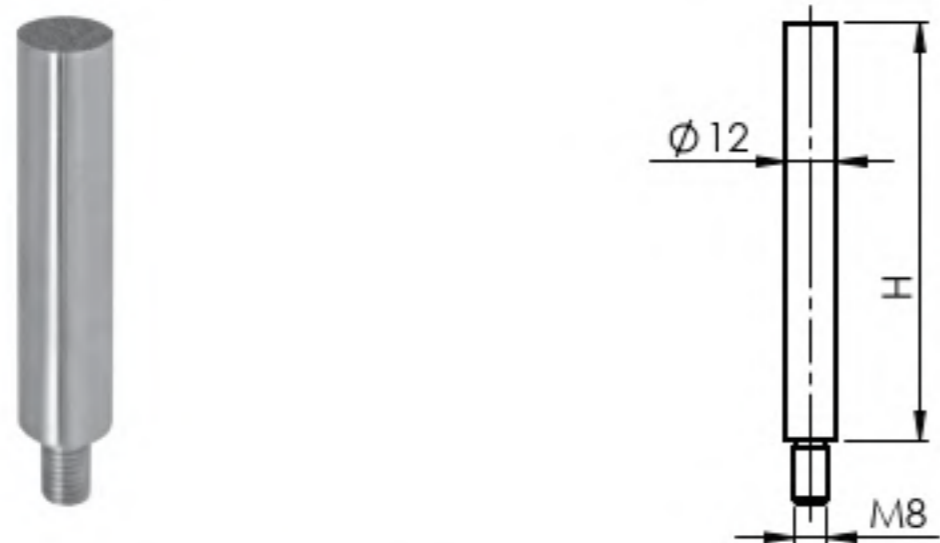
Quality	Finish	art.
AISI304	satin	A/5738-242-12

Quality	Finish	art.
AISI304	satin	A/5740-242-12

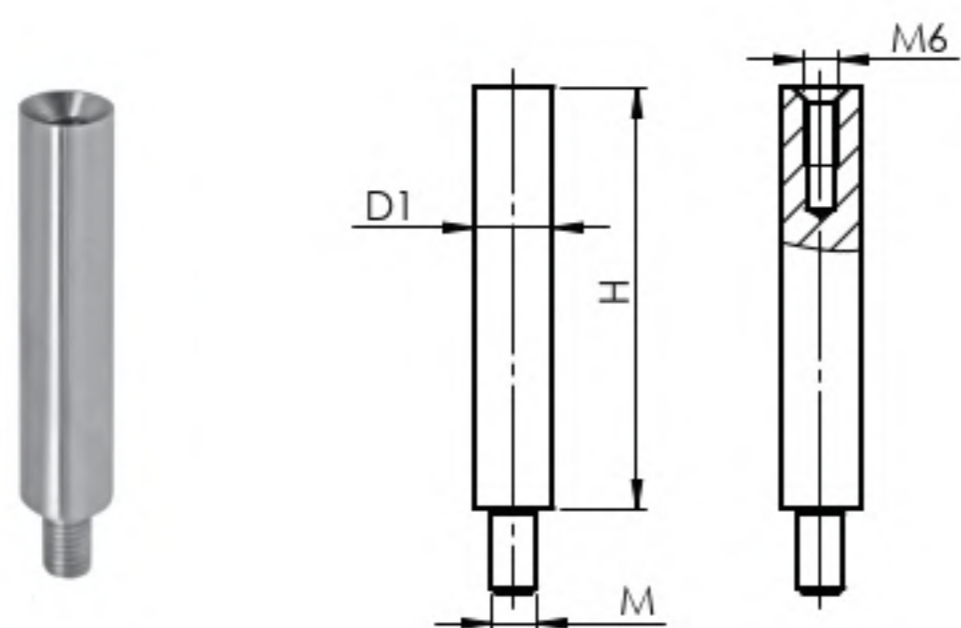


Quality	Finish	art.
AISI304	satin	A/5739-242

Quality	Finish	art.
AISI304	satin	A/0814-115-M6

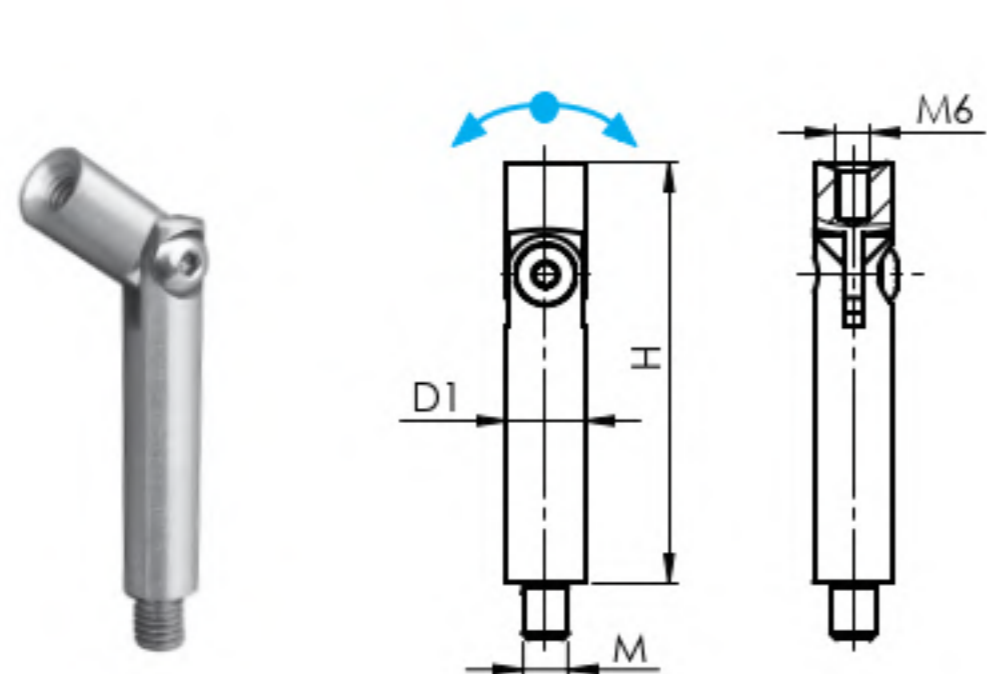


Quality	Finish	art.	H
AISI304	satın	A/0813-075-12Z	75
	polish	A/0813-075-12Z-L	
AISI316	satın	A/0813-100-12Z	100
		A/0813-120-12Z	120
		A14/0813-100-12Z	100



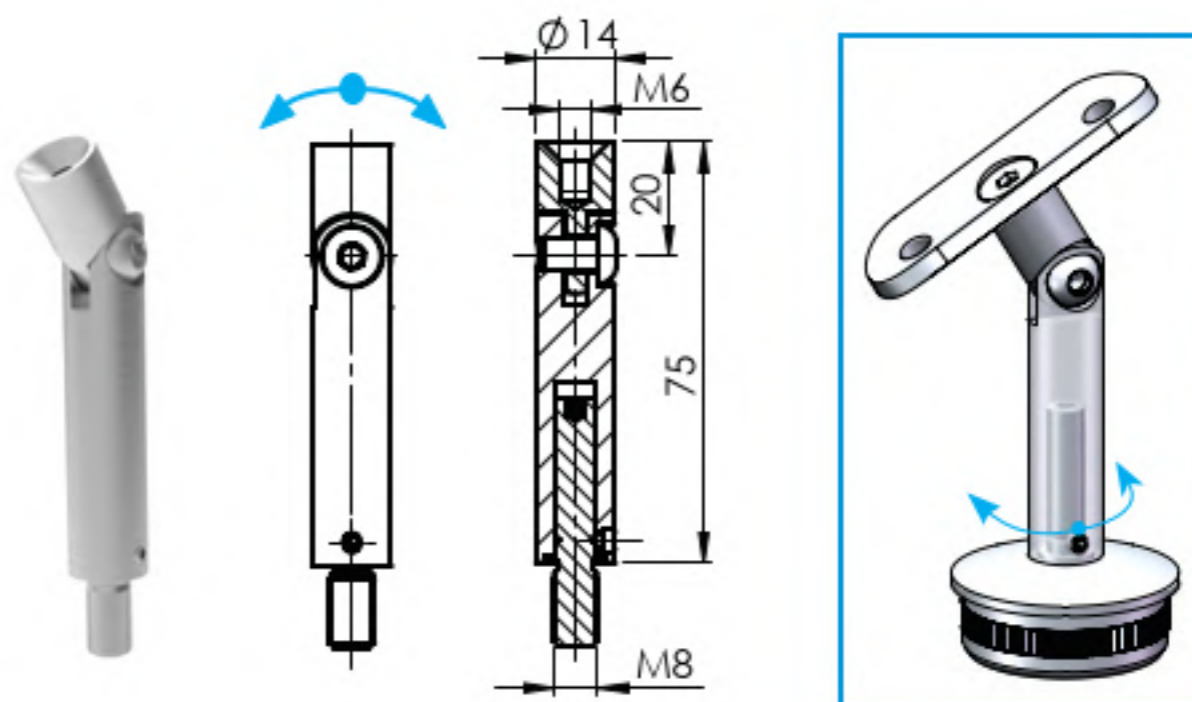
Quality	Finish	art.	D1	H	M
AISI304	satın	A/0811-068	14	68	10
		A/0811-068-S1		75	
	polish	A/0811-068-S1-L		68	
		A/0811-068-S2		68	
AISI316	satın	A/0811-068-S3	68	8	
		A/0811-075-12S	75		
	A/0811-120-12S	120			
	A14/0811-068-S1	75			
	A14/0811-068-S2	68			

top



Quality	Finish	art.	D1	H	M
AISI304	satın	A/0812-068	14	68	8
		A/0812-068-S		75	
	polish	A/0812-068-S1		75	
		A/0812-068-S1-L		100	
AISI316	satın	A/0812-075	75		
		A/0812-100	100		
	A14/0812-068-S1	75			

top

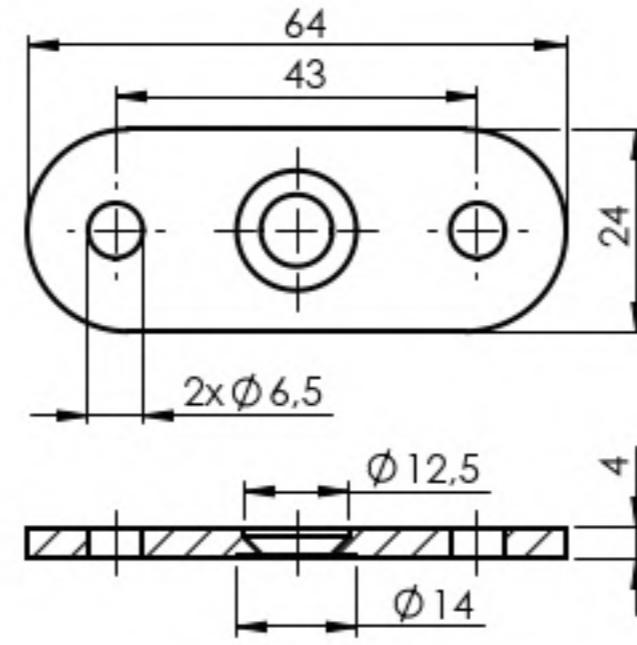


Quality	Finish	art.
AISI304	satın	A/0816-075

new

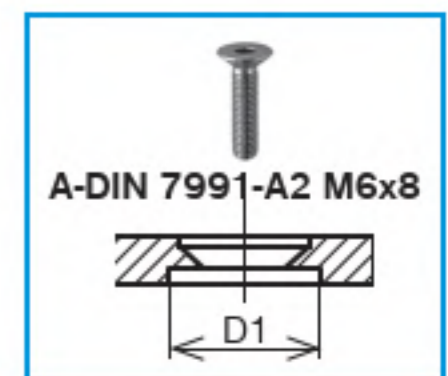
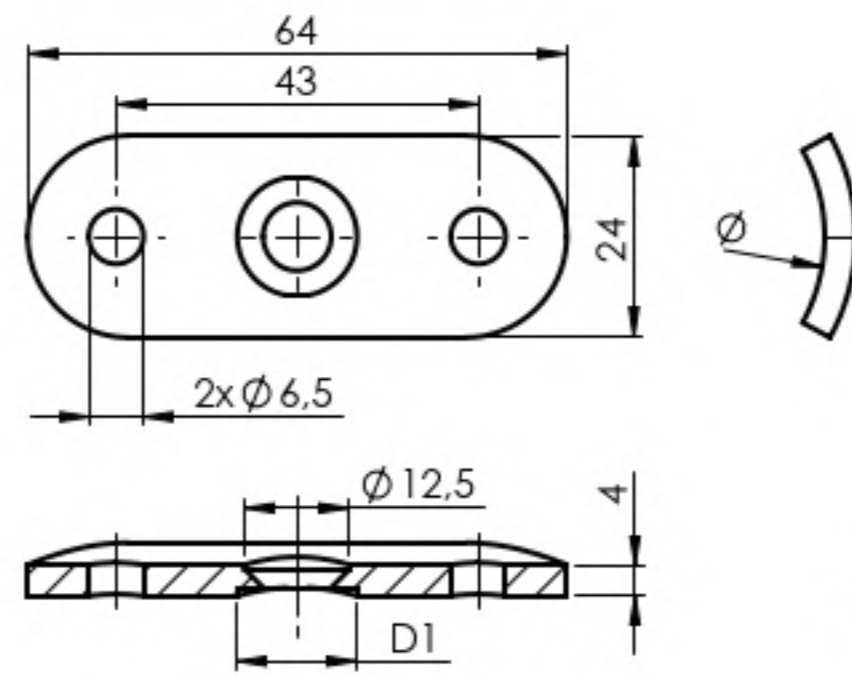


Quality	Finish	art.
AISI304	satin	A/1800-000
AISI316		A14/1800-000



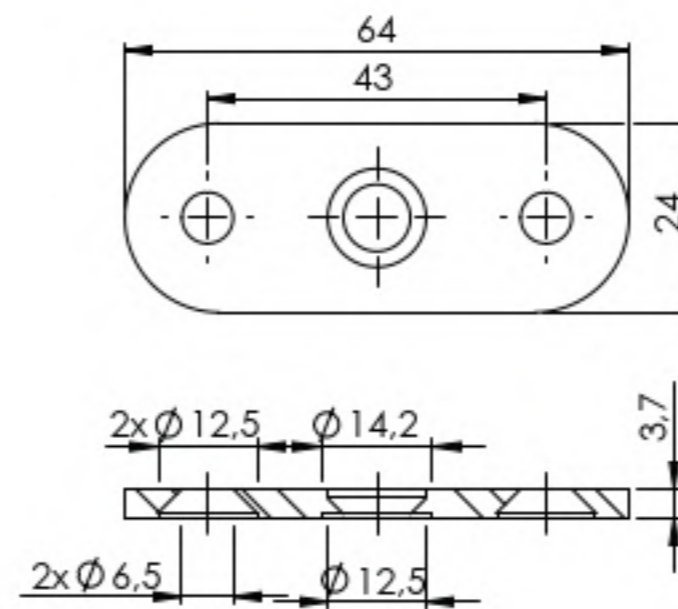
Quality	Finish	Ø	art.	D1
AISI304	satin	33,7	A/1800-033	14
		42,4	A/1800-042	
		48,3	A/1800-048	
AISI316	satin	42,4	A/1800-042-L	14
		48,3	A14/1800-042	
		48,3	A14/1800-048	

top



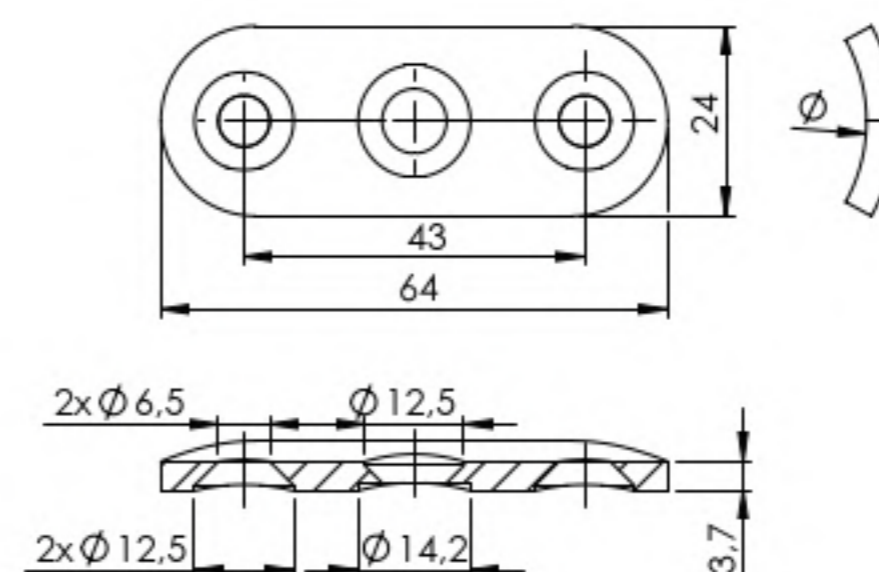
Quality	Finish	art.
AISI304	satin	A/1800-100

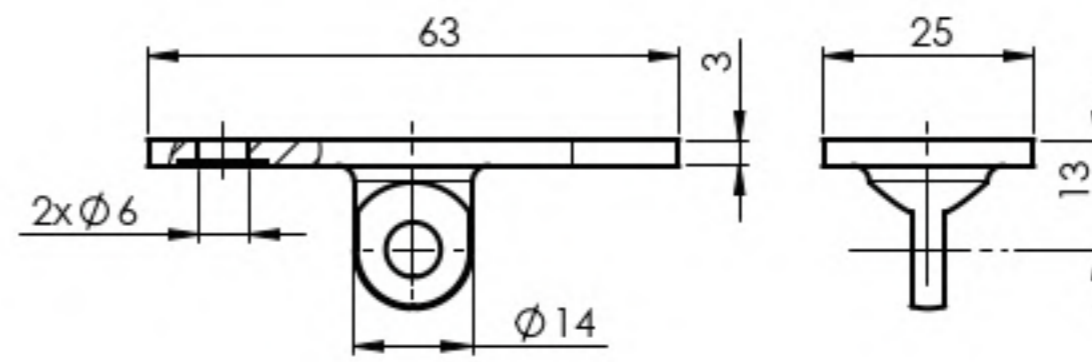
new



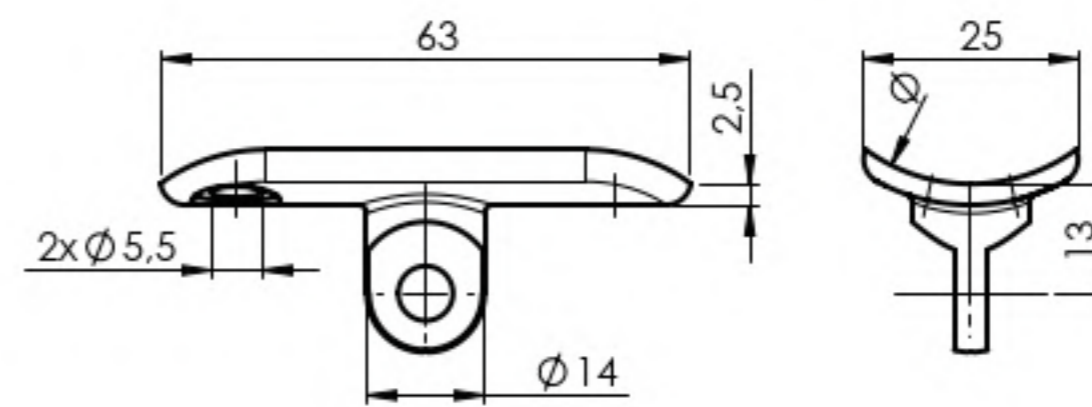
Quality	Finish	Ø	art.
AISI304	satin	33,7	A/1800-133
		42,4	A/1800-142
		48,3	A/1800-148

*new
new
new*

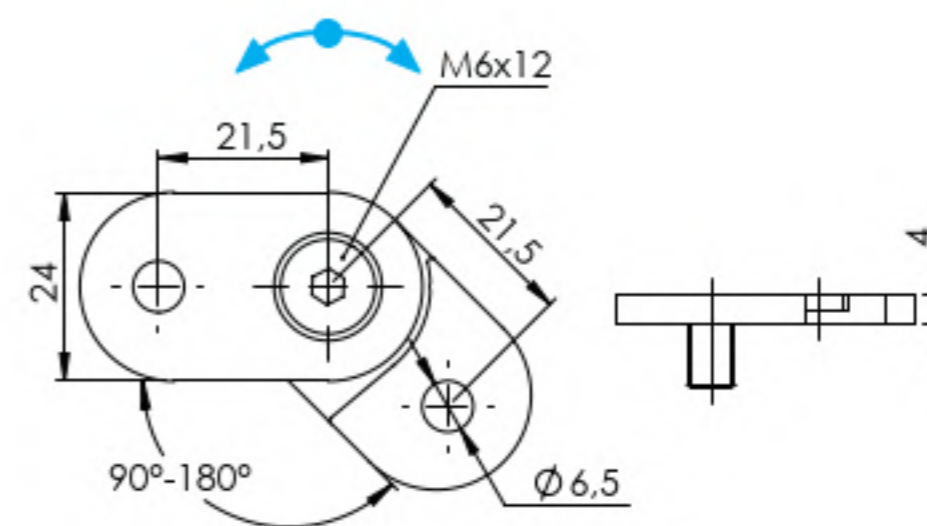
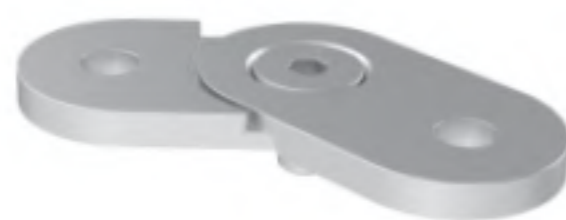




Quality	Finish	art.
AISI304	satin	A/1800-200
AISI316		A14/1800-200

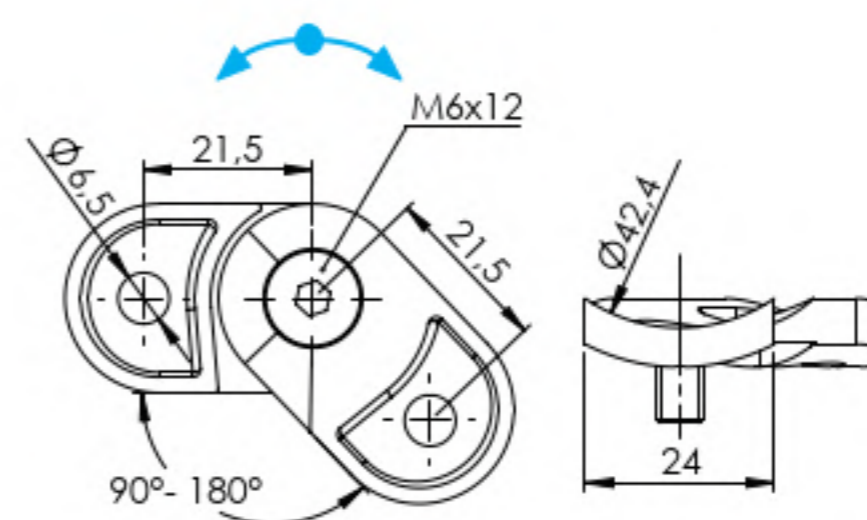


Quality	Finish	Ø	art.
AISI304	satin	42,4	A/1800-242
		48,3	A/1800-248
AISI316		42,4	A14/1800-242



Quality	Finish	art.
AISI304	satin	A/1881-000

new

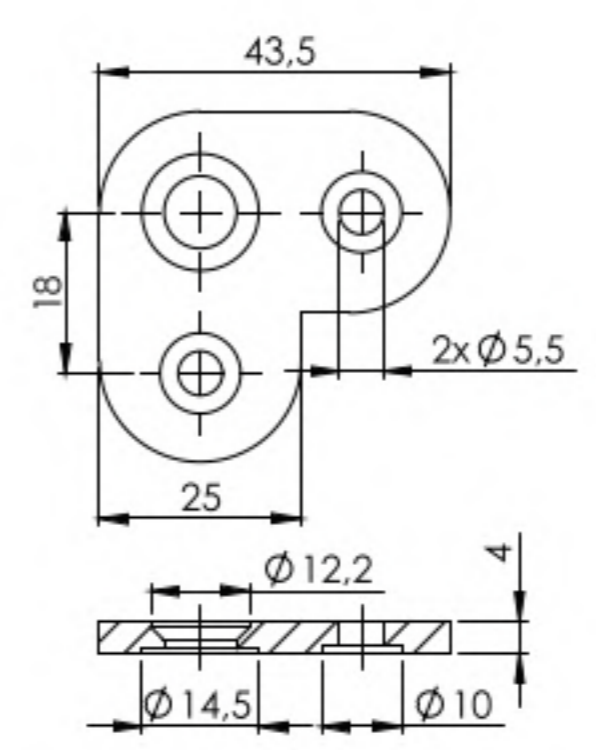


Quality	Finish	art.
AISI304	satin	A/1881-042

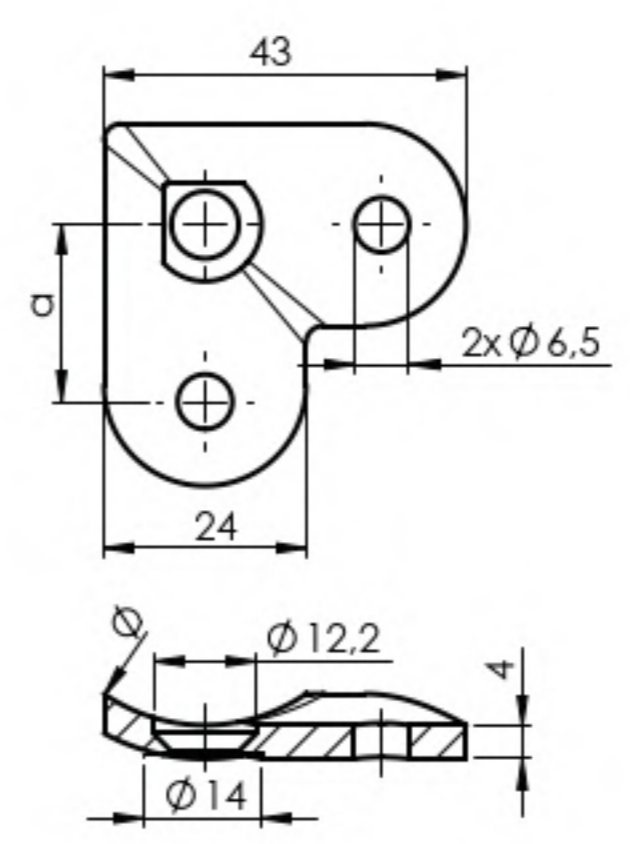
new



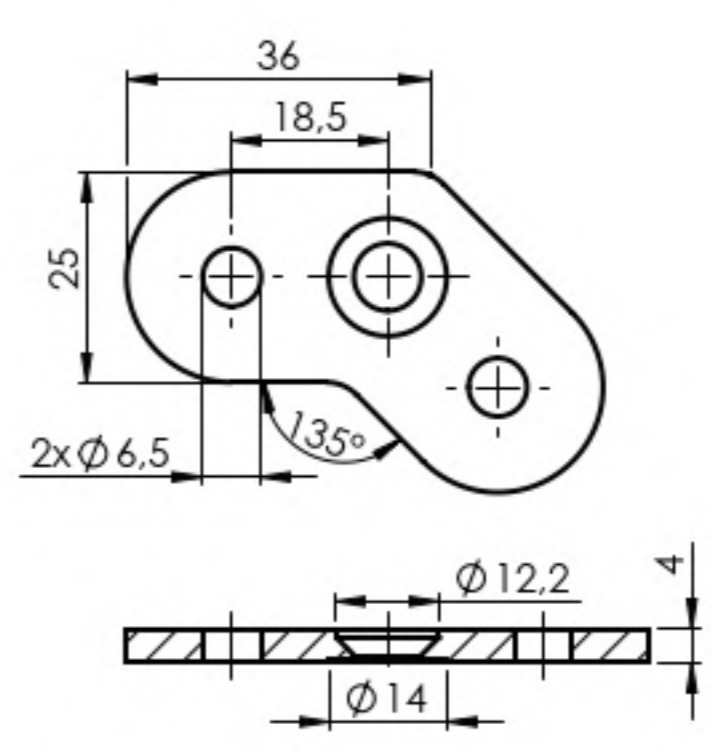
Quality	Finish	art.	flush angle
AISI304	satın	A/1890-000-B	A/0303...



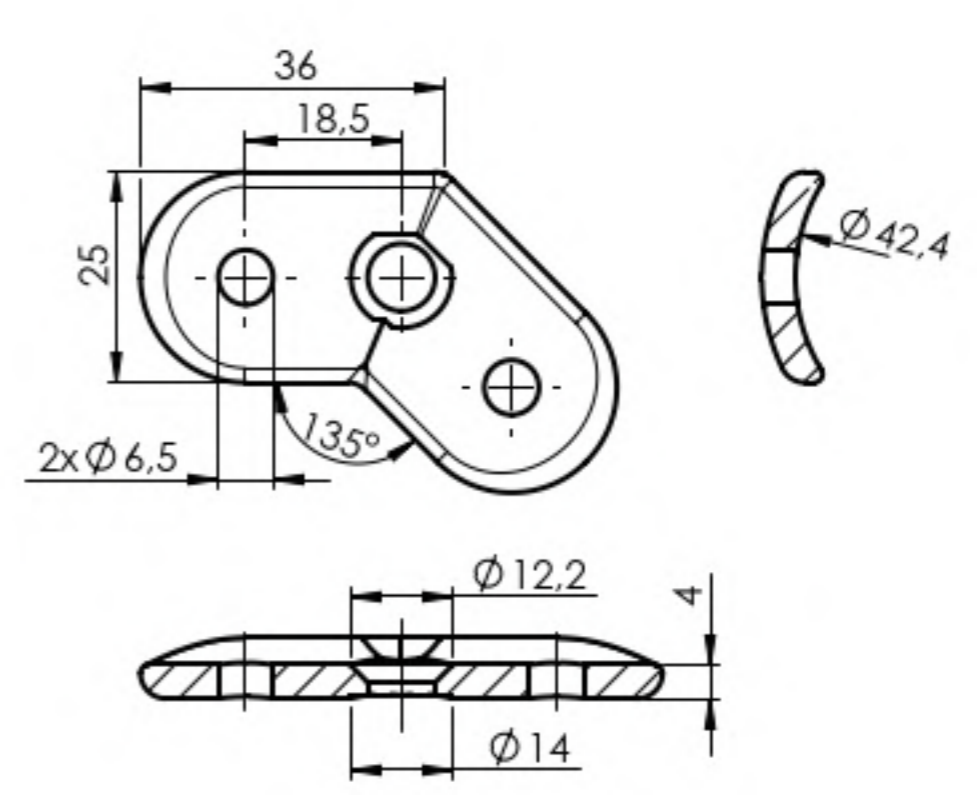
Quality	Finish	Ø	art.	a	flush angle
AISI304	satın	42,4	A/1890-042	21	A/0301...
AISI316		48,3	A14/1890-048	23	A/0303...

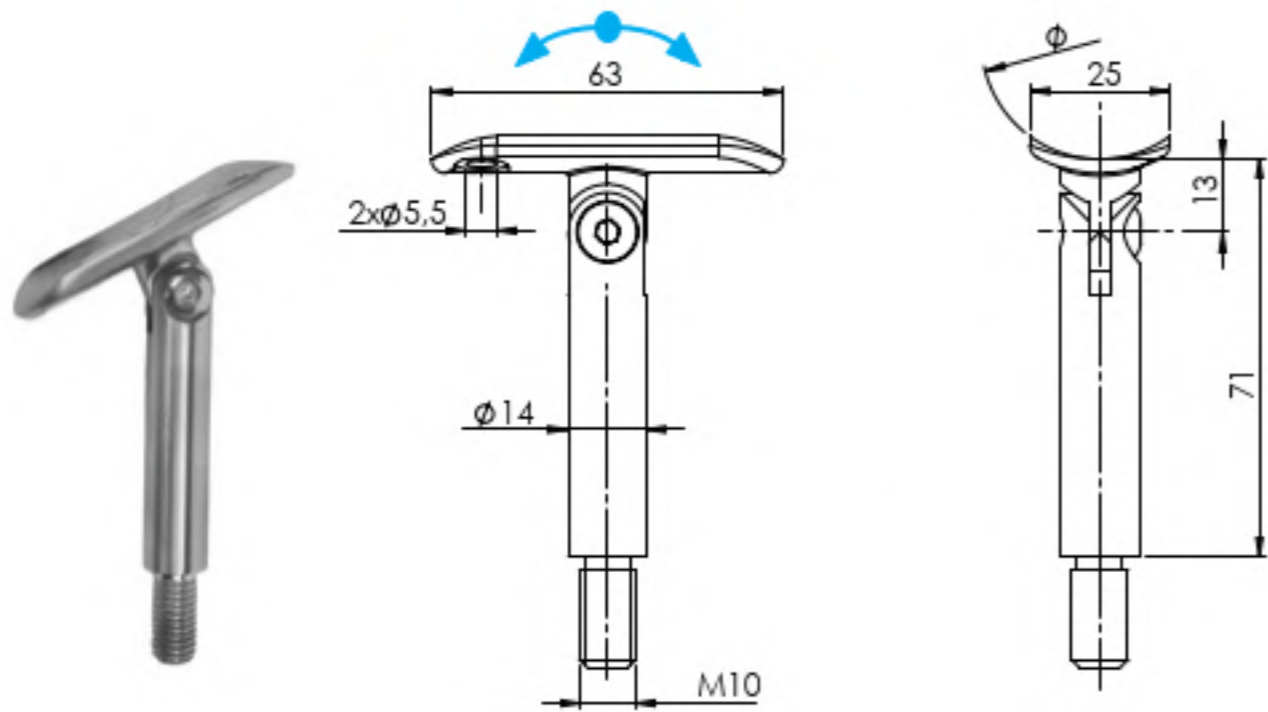


Quality	Finish	art.
AISI316	satın	A14/1870-000



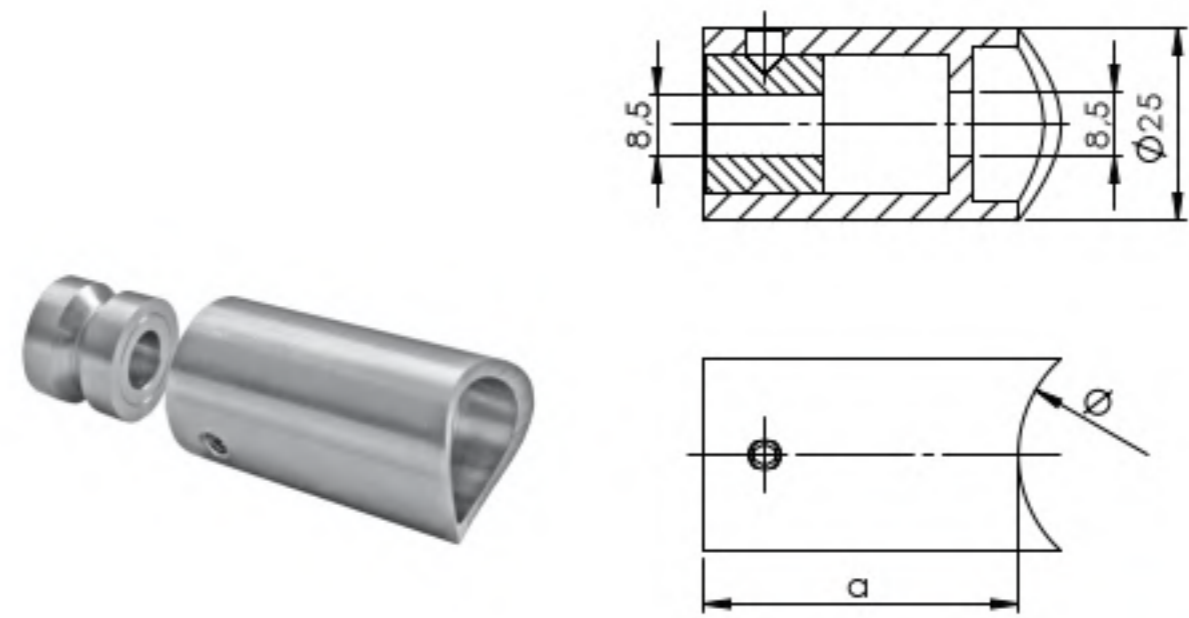
Quality	Finish	art.	flush angle
AISI316	satın	A14/1870-042-B	A/0300...



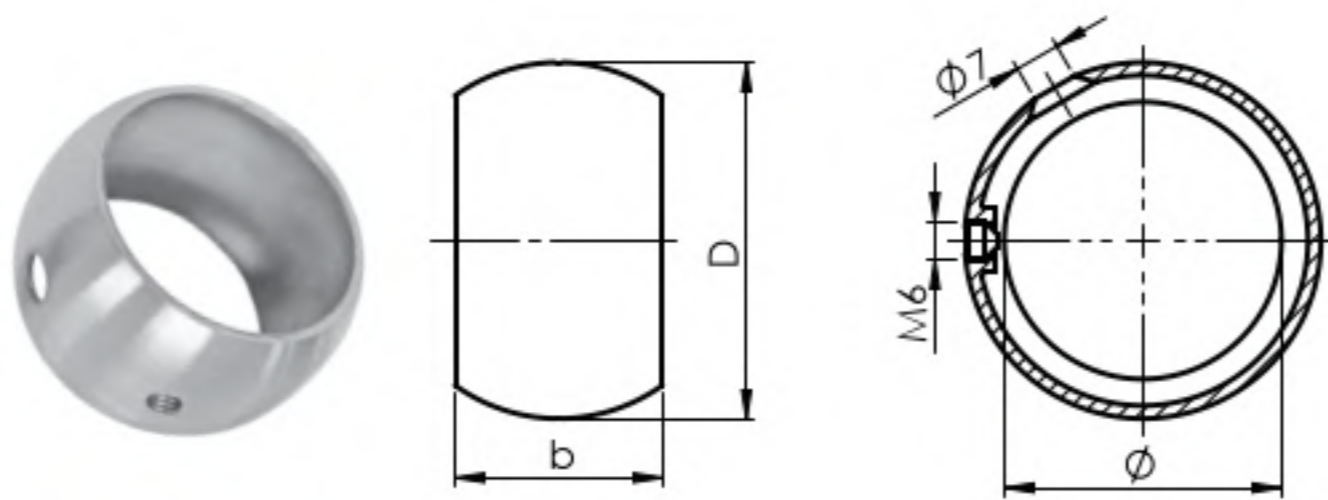
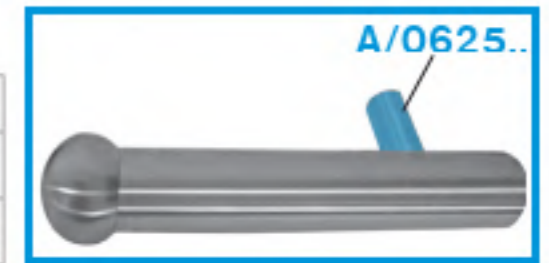


Quality	Finish	∅	art.
AISI304	satin	flat	A/0818-000-B
			A/0818-042
			A/0818-048
AISI316	satin	flat	A/0818-000-L
			A/0818-042-L
			A14/0818-042-B

top

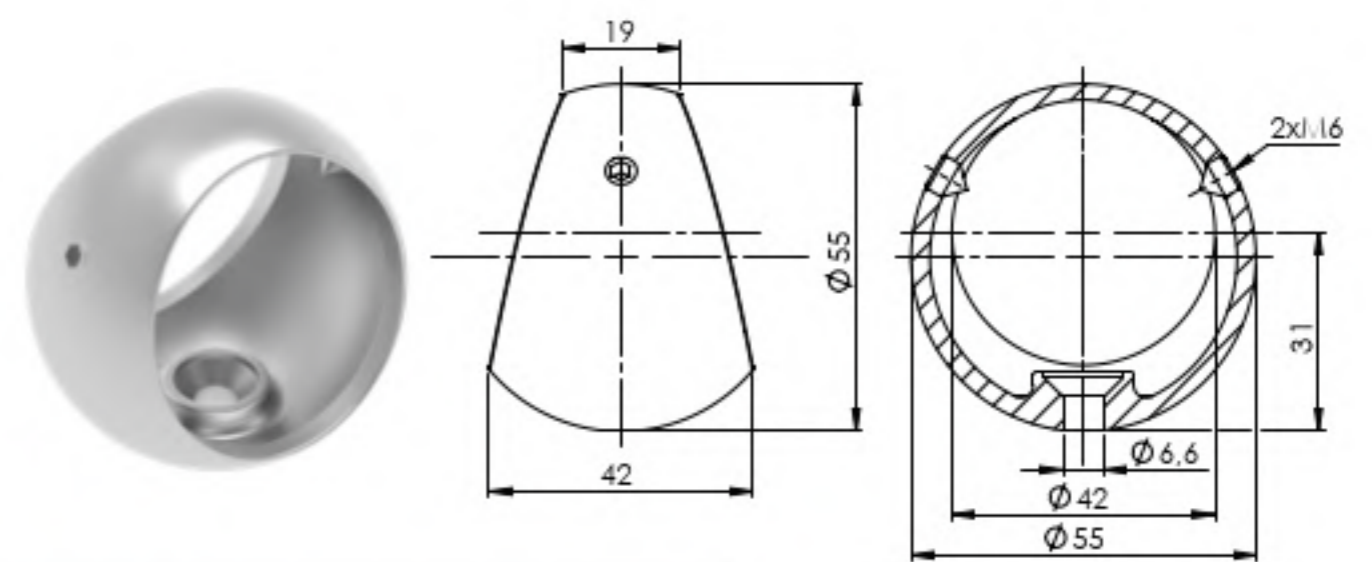


Quality	Finish	∅	art.	a
AISI304	satin	33,7	A/0625-033	41
		42,4	A/0625-042	43



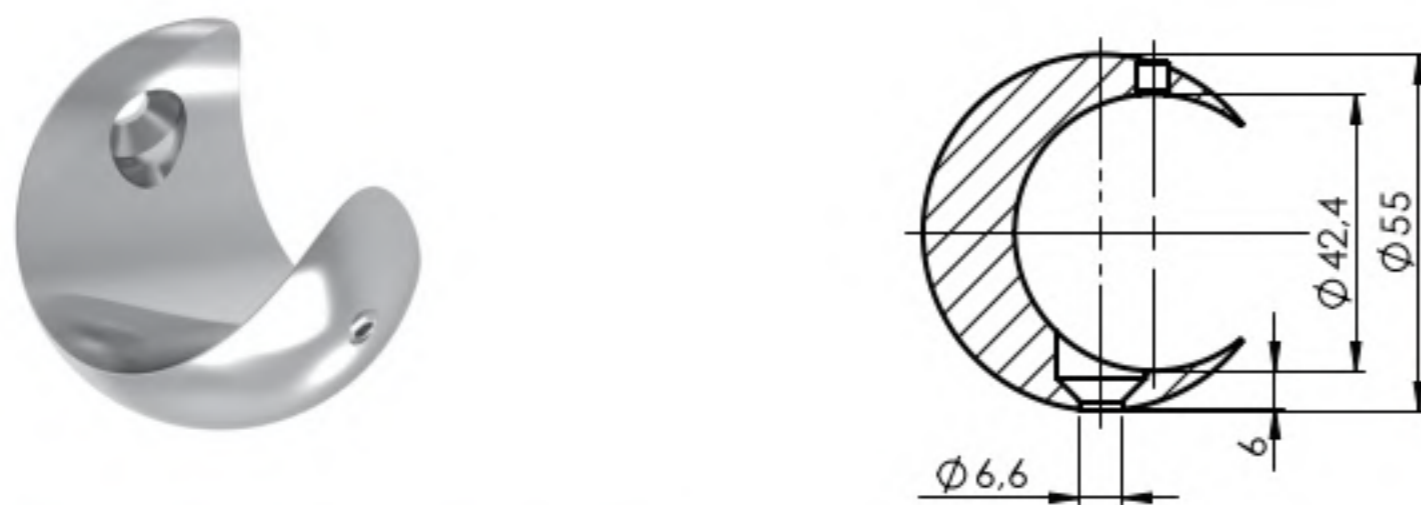
Quality	Finish	∅	art.	D	b
AISI304	satin	33,7	A6/33-55-35-B	44,5	28
		42,4	A6/42-55-35-B	55	32

top

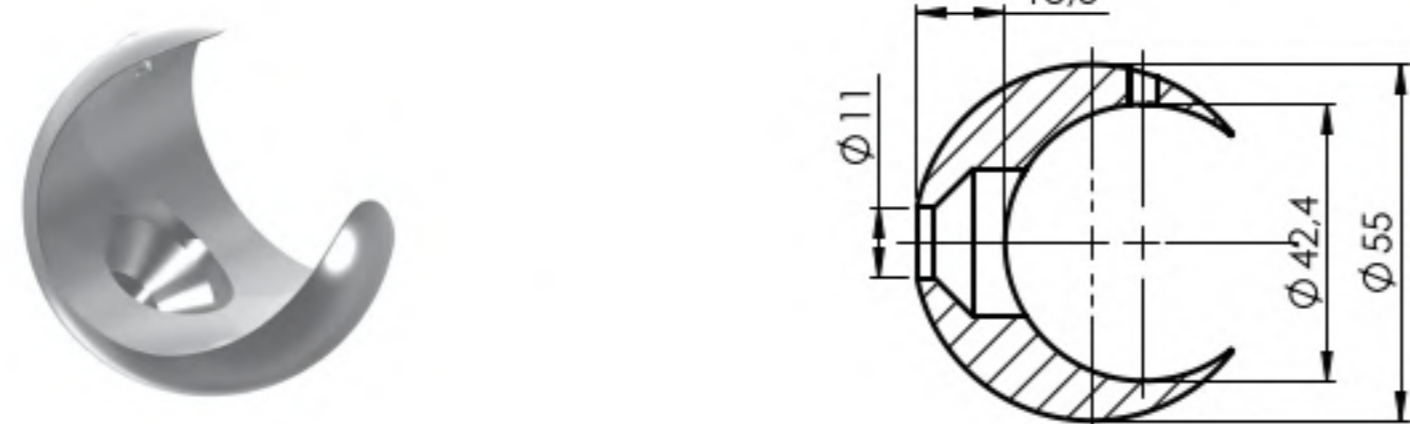


Quality	Finish	art.
AISI304	satin	A6/42-55-19

new



Quality	Finish	art.
AISI316	satin	A14/42-55-C



Quality	Finish	art.
AISI316	satin	A14/42-55

A-DIN 7991-A2 M6x8

A/1800-0... A/1890-0... A/1881-0... A14/42-55-C A6/42-55-35-B

A/0811... A/0812...

A/5734-242 A/5735-242-R A/5736-242 A/5737-242

2

INFILL HOLDERS





GLASS HOLDERS



PLATE HOLDERS



BAR / TUBE HOLDERS



VERTICAL HOLDERS



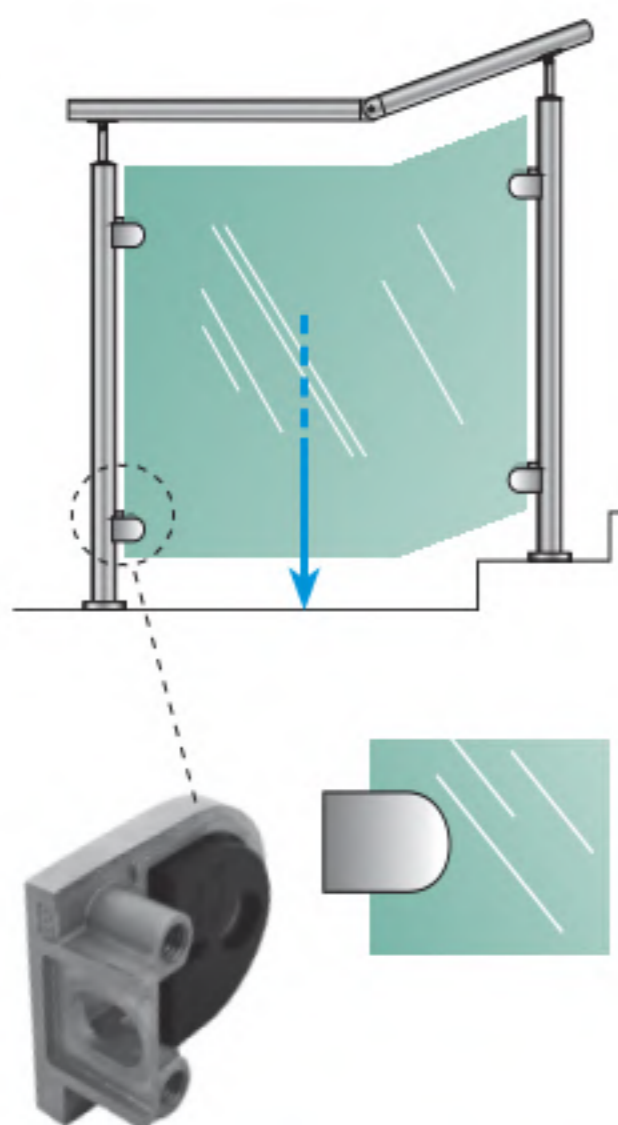
CABLE HOLDERS



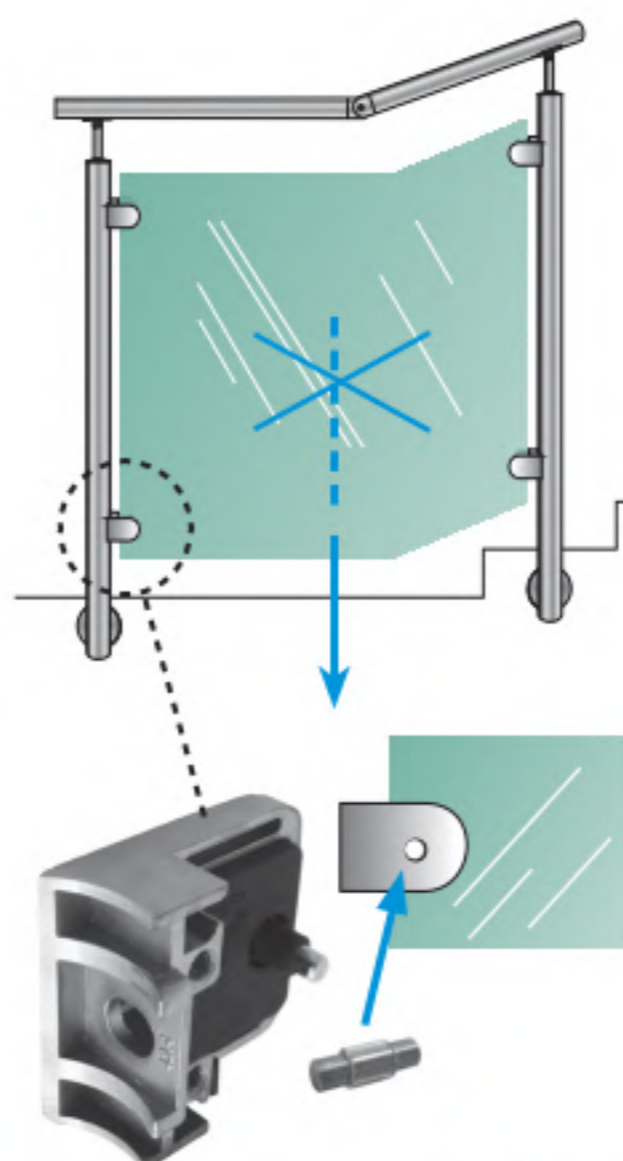
CABLE MESH HOLDERS

GLASS HOLDERS

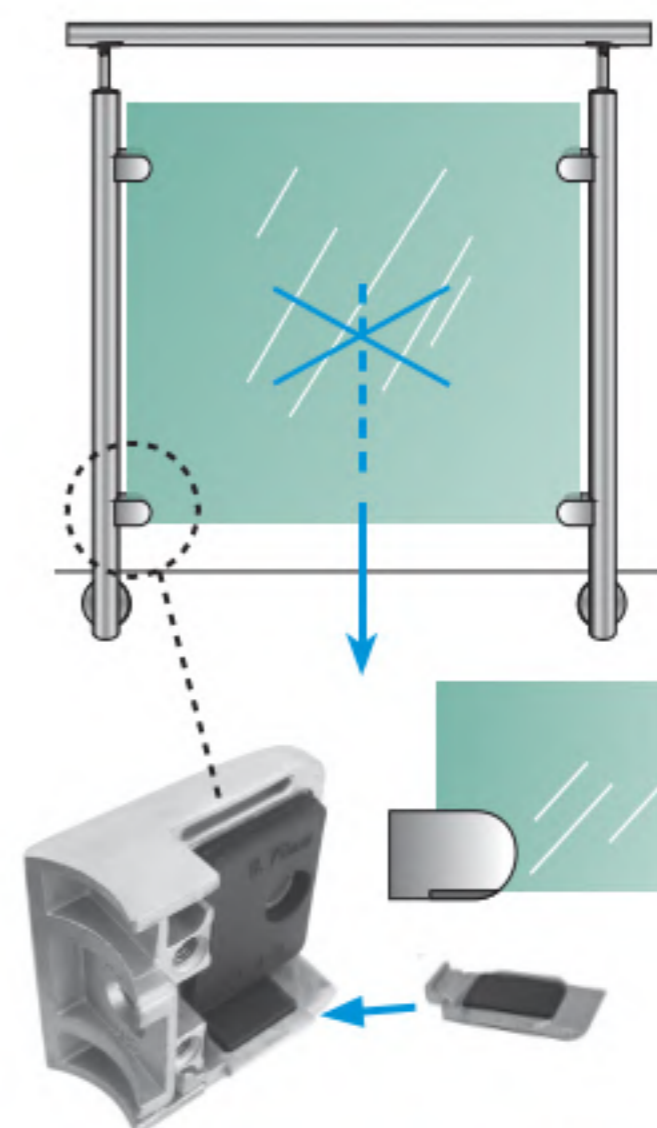




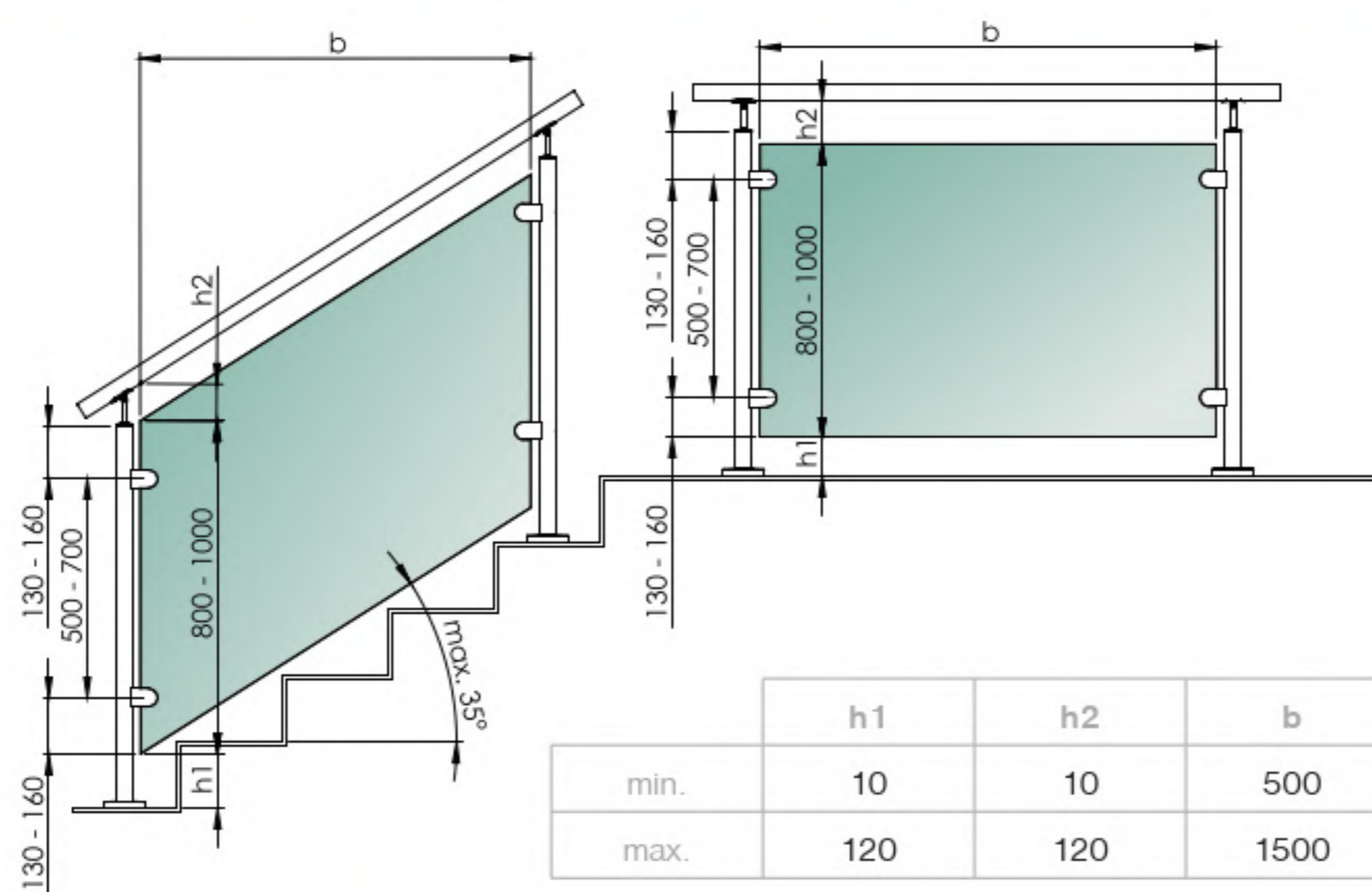
ANCHOR SYSTEM G1



ANCHOR SYSTEM G2



ANCHOR SYSTEM G3



GLASS CLAMPS AXIAL

	h1	h2	b
min.	10	10	500
max.	120	120	1500

ANCHOR SYSTEM G1

MAX (kN/m ²)		b (mm)				
		500	750	1000	1250	1500
Glass VSG/ESG t (mm)	8,76	2,5	1,5	0,5	0,5	0,5
	10,76		2	1		
	12,76		2,5	2	1	
	16,76		2,5		1,5	
	17,52		2,5			



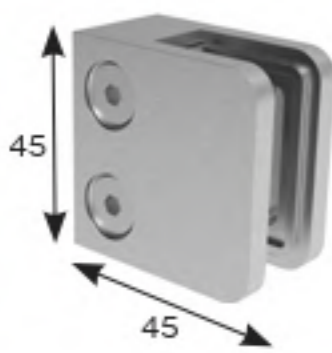
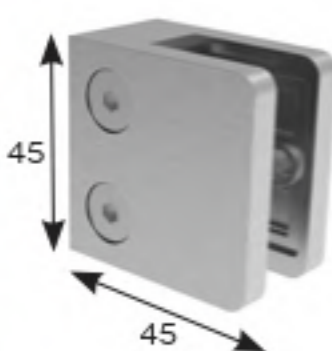
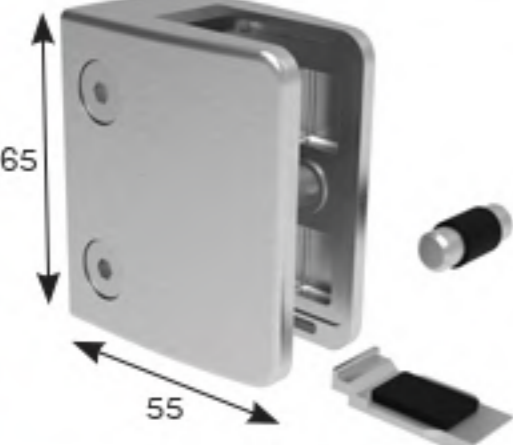
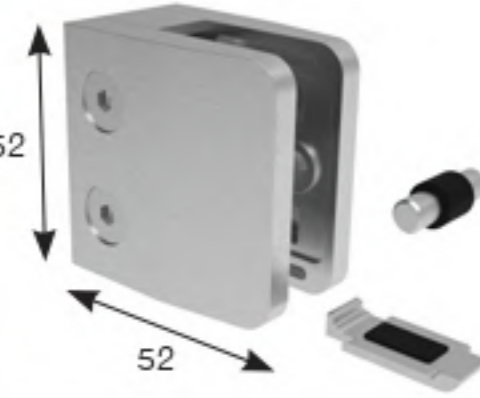
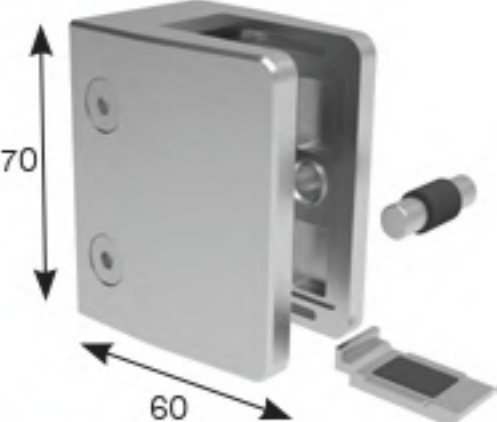
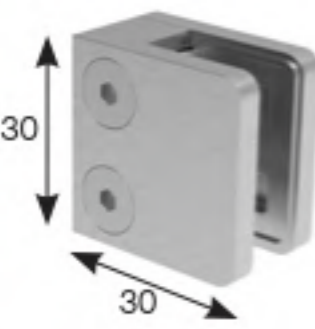
ANCHOR SYSTEM G2

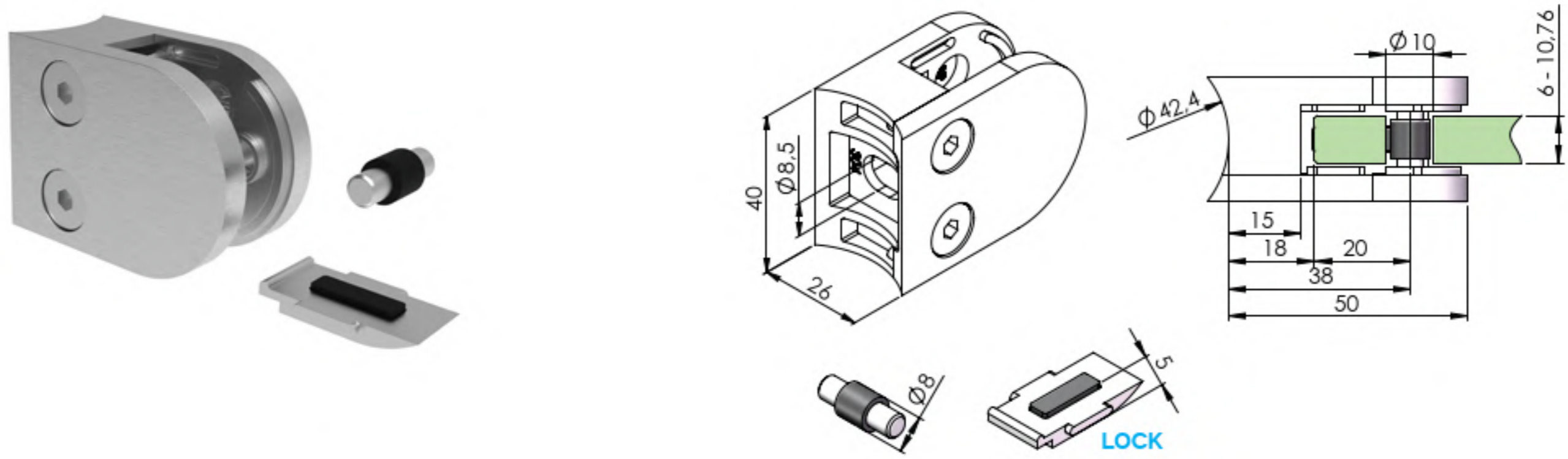
ANCHOR SYSTEM G3

MAX (kN/m ²)		b (mm)					
		500	750	1000	1250	1500	
Glass VSG/ESG t (mm)	8,76	2,5	1	0,5		0,5	
	10,76		1,5	1			
	12,76		2,5	1,5	1		0,5
	16,76				2,5		
	17,52		2,5		2		1

*Uvedené hodnoty sú orientačné nakoľko technické normy sa v jednotlivých krajinách líšia. Pri návrhu zábradlia je potrebné zohľadniť aj ďalšie faktory ako je veterná zóna, účel stavby, hĺbka prepadu, kotvenie stĺpika, typ stĺpika (test zaťaženia)...

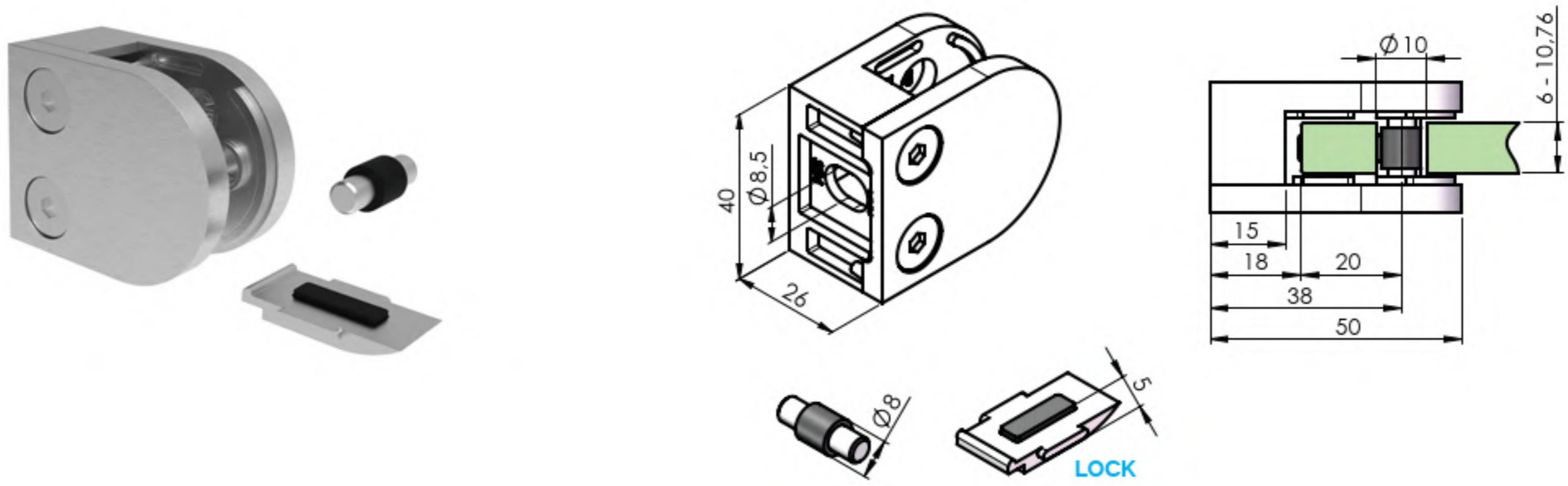
*The values given are just informative because the technical standards vary from country to country. When designing railings, other factors have to be taken in consideration such as wind zone, purpose of construction, depth of overflow, post anchorage, post railing type (load test)...

MODEL	MODEL	anchor system			plate/glass t																	pin lock		plate lock						
		G1	G2	G3	1,5	2	3	3,5	4	5	6	6,76	7	8	8,76	10	10,76	12	12,76	13,52	16,76	17,52	20,76	21,52						
21*					■	■	■				■	■		■	■	■	■										-	-		
23*					■	■	■	■	■	■	■	■		■	■	■	■										✓	-		
230P*					■	■	■	■	■	■	■	■		■	■	■	■									✓	✓			
23KP*								■	■	■	■	■	■	■	■	■	■	■	■							✓	✓			
24*																		■	■	■	■	■				✓	✓			
26*															■	■	■	■	■							✓	✓			
27																										■	■	■	✓	✓
29									■		■			■													-	-		



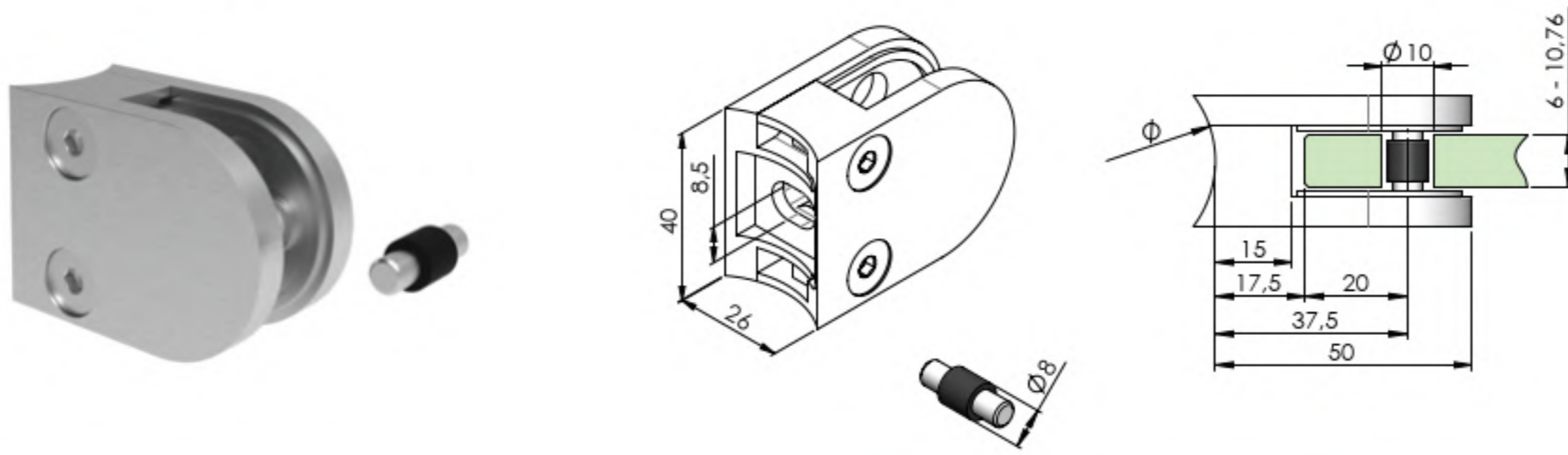
Quality	Finish	art.	∅	90°				Test
						A-DIN 912-A2 M8x20	A19/04-PVC	
AISI304	satin	A/200P-042	42,4	✓	1x			 GAMIN <i>new</i>
	black RAL 9005	A-BL/200P-042-set4			4x	4x	8x	

	plate t			glass t					
	1,5	2	3	6	6,76	8	8,76	10	10,76
	A19/20-0015	A19/20-002	A19/20-003	A19/20-006	A19/20-007	A19/20-008	A19/20-009	A19/20-010	A19/20-011



Quality	Finish	art.				Test
				A-DIN 912-A2 M8x20	A19/04-PVC..	
AISI304	satin	A/200P-000	1x			 GAMIN <i>new</i>
	black RAL 9005	A-BL/200P-000-set4	4x	4x	8x	

	plate t			glass t					
	1,5	2	3	6	6,76	8	8,76	10	10,76
	A19/20-0015	A19/20-002	A19/20-003	A19/20-006	A19/20-007	A19/20-008	A19/20-009	A19/20-010	A19/20-011

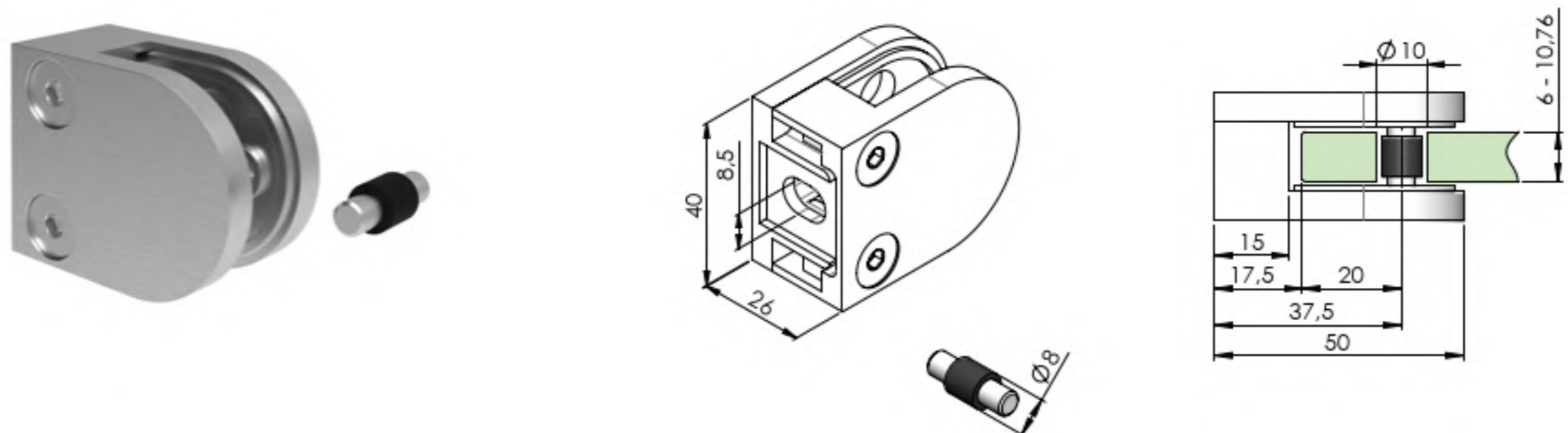


Quality	Finish	art.	∅					Test
						A-DIN 912-A2 M8x20	A19/04-PVC	
AISI304	satin	A/2000-033	33,7	-	1x	4x	4x	8x
		A/2000-042	42,4					
		A/2000-042-set4						
	A/2000-048	48,3	✓					
	polish	A/2000-042-L	42,4					
A/2000-048-L		48,3						
AISI316	satin	A14/2000-033	33,7	-	1x			
		A14/2000-042	42,4	✓				
		A14/2000-048	48,3					
	polish	A14/2000-033-L	33,7	-				
		A14/2000-042-L	42,4	✓				
		A14/2000-048-L	48,3					
ZAMAK	raw	ZN/2000-033	33,7	-	1x			
		ZN/2000-042	42,4	✓				
	polish	ZN-POLISH/2000-042						

top



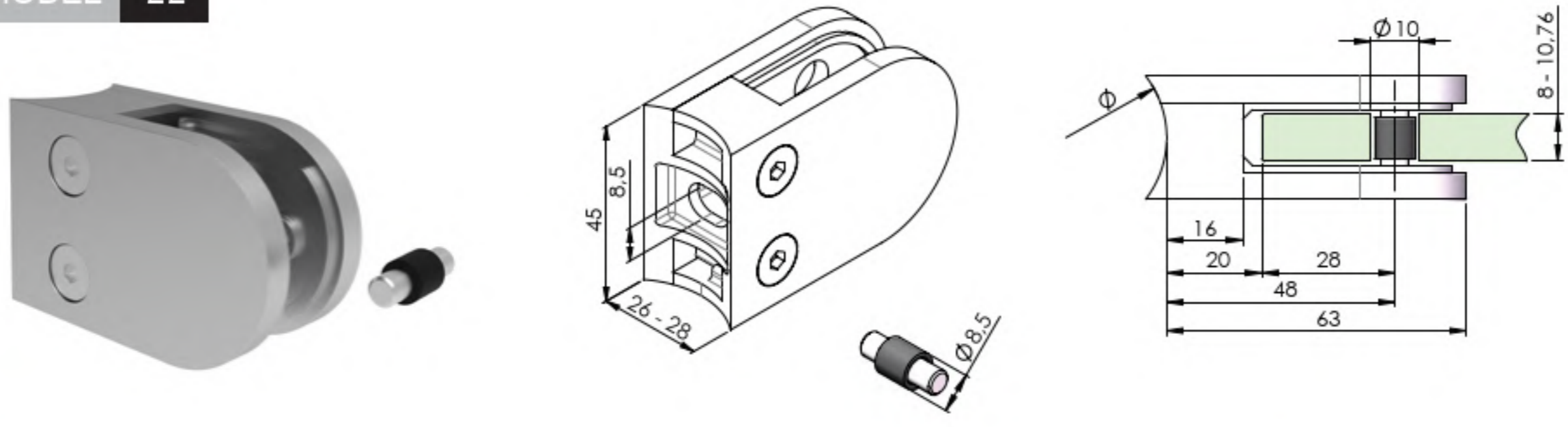
	plate t			glass t					
	1,5	2	3	6	6,76	8	8,76	10	10,76
	A19/20-0015	A19/20-002	A19/20-003	A19/20-006	A19/20-007	A19/20-008	A19/20-009	A19/20-010	A19/20-011



Quality	Finish	art.				Test
				A-DIN 912-A2 M8x20	A19/04-PVC	
AISI304	satin	A/2000-000	1x	4x	4x	8x
		A/2000-000-set4	4x			
	polish	A/2000-000-L				
AISI316	satin	A14/2000-000	1x			
		polish	A14/2000-000-L			
ZAMAK	raw	ZN/2000-000	1x			
	anthracite RAL 7016	ZN-AN/2000-000				
	polish	ZN-POLISH/2000-000				

new

	plate t			glass t					
	1,5	2	3	6	6,76	8	8,76	10	10,76
	A19/20-0015	A19/20-002	A19/20-003	A19/20-006	A19/20-007	A19/20-008	A19/20-009	A19/20-010	A19/20-011



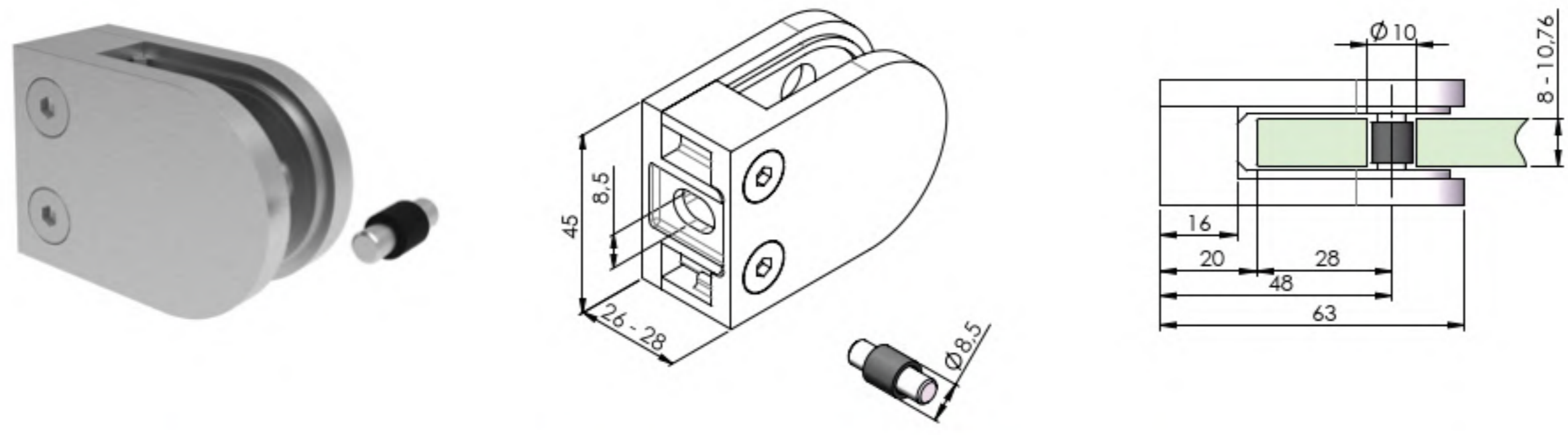
Quality	Finish	art.	∅					Test
						A-DIN 912-A2 M8x20	A19/04-PVC	
AISI304	satin	A/2200-042			1x			
		A/2200-042-SCREW	42,4		1x	1x		
		A/2200-042-set4			4x	4x	8x	
	polish	A/2200-048	48,3		1x			
		A/2200-048-set4			4x	4x	8x	
		A/2200-042-L	42,4		1x			
AISI316	satin	A14/2200-042	42,4					
		A14/2200-042-set4			4x	4x	8x	
		A14/2200-048	48,3		1x			
	polish	A14/2200-042-L	42,4					
		A14/2200-042-L-set4			4x	4x	8x	
		A14/2200-048-L	48,3		1x			
ZAMAK	raw	ZN/2200-042	42,4	✓	1x			

top



GAMIN

	plate t			glass t			
	1,5	2	3	8	8,76	10	10,76
	A19/22-0015	A19/22-002	A19/22-003	A19/22-008	A19/22-009	A19/22-010	A19/22-011



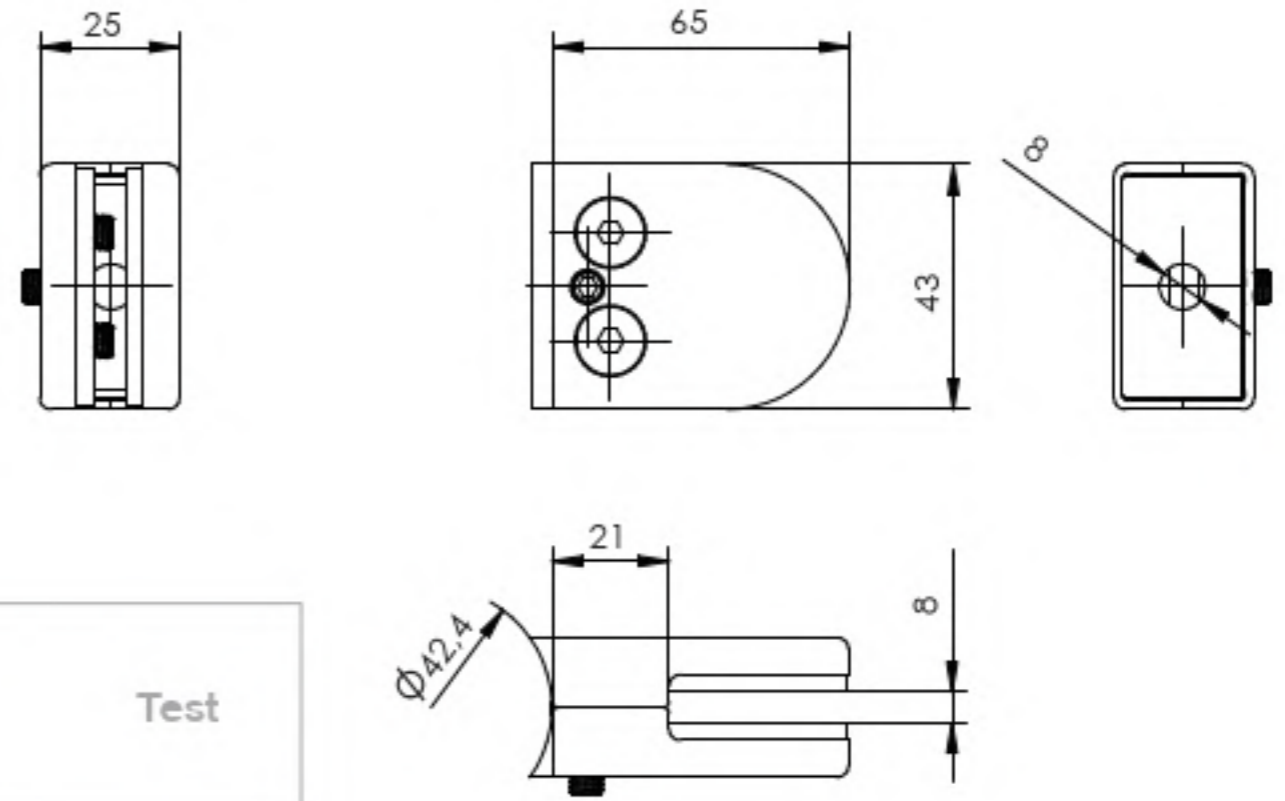
Quality	Finish	art.				Test
				A-DIN 912-A2 M8x20	A19/04-PVC	
AISI304	satin	A/2200-000	1x			
		A/2200-000-set4	4x	4x	8x	
	polish	A/2200-000-L	1x			
AISI316	satin	A14/2200-000	1x			
		A14/2200-000-set4	4x	4x	8x	
	polish	A14/2200-000-L	1x			
		A14/2200-000-L-set4	4x	4x	8x	
ALUMINIUM	natural	AL/2200-000	1x			
ZAMAK	raw	ZN/2200-000	1x			



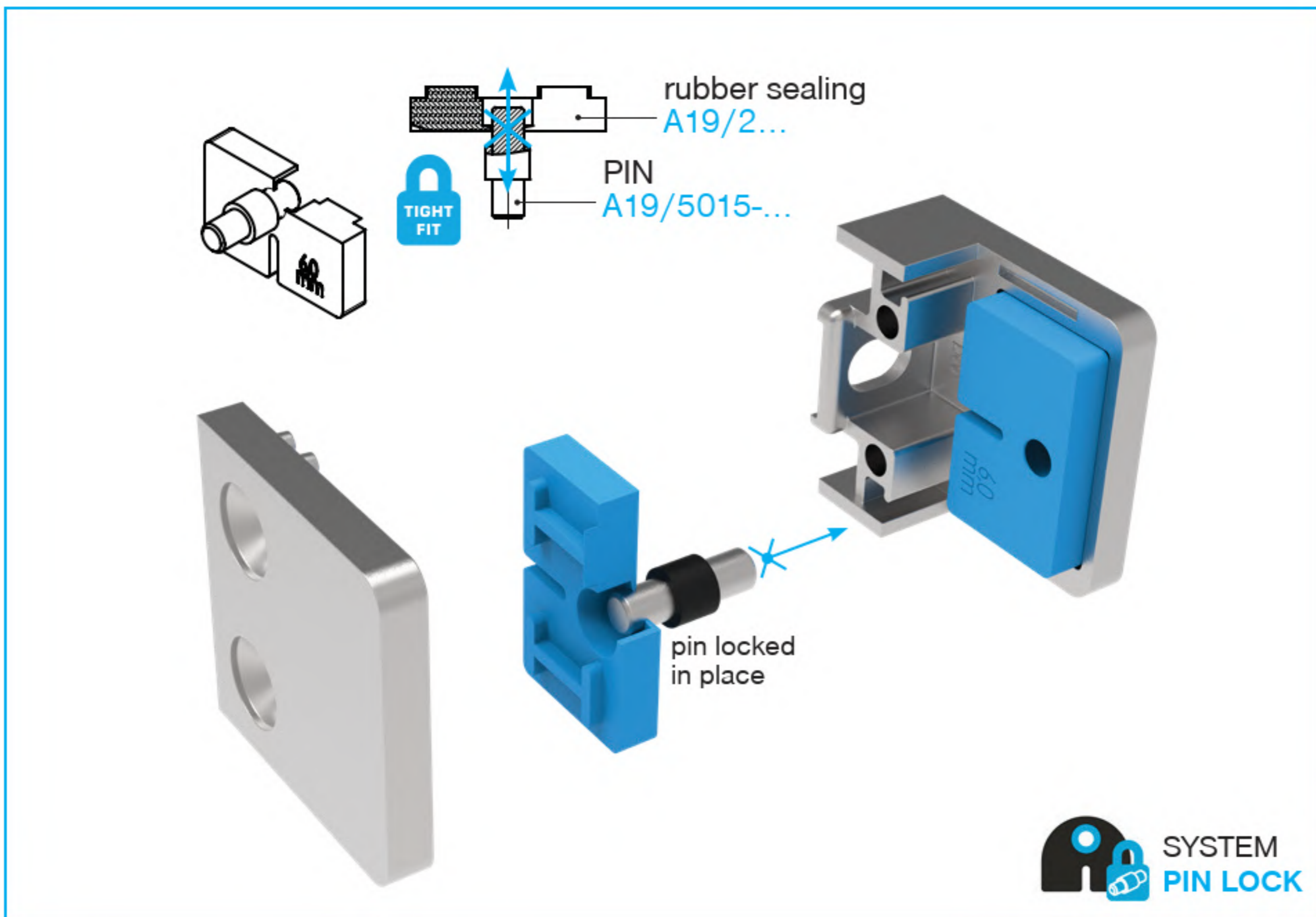
GAMIN

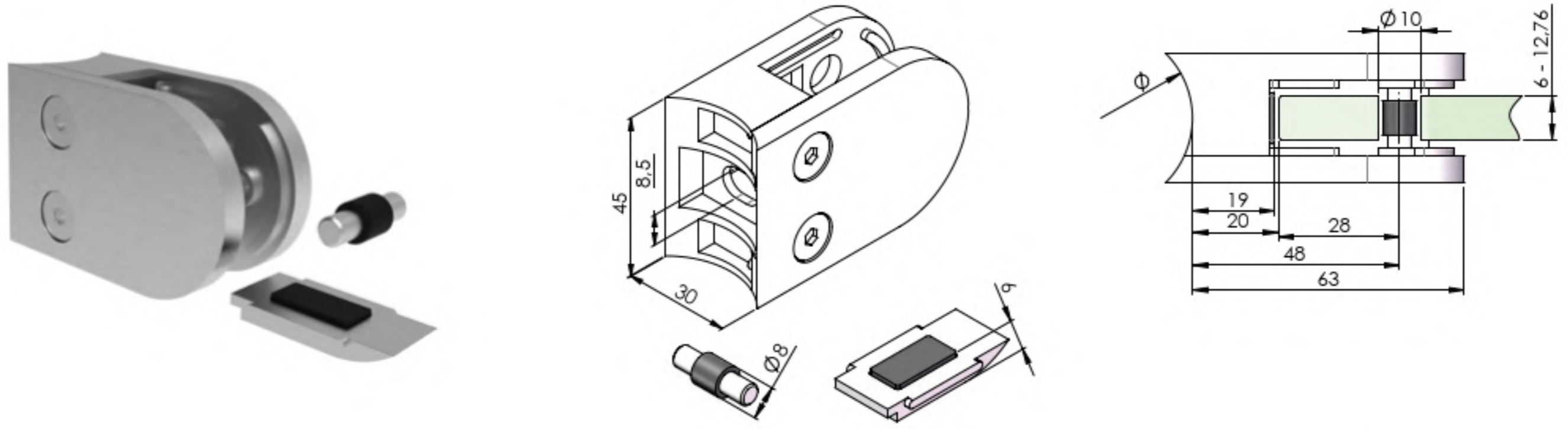
	plate t			glass t			
	1,5	2	3	8	8,76	10	10,76
	A19/22-0015	A19/22-002	A19/22-003	A19/22-008	A19/22-009	A19/22-010	A19/22-011







MODEL 22PL



Quality	Finish	art.			Test
AISI304	satın	A/22PL-000 set T8mm	1x	2x	




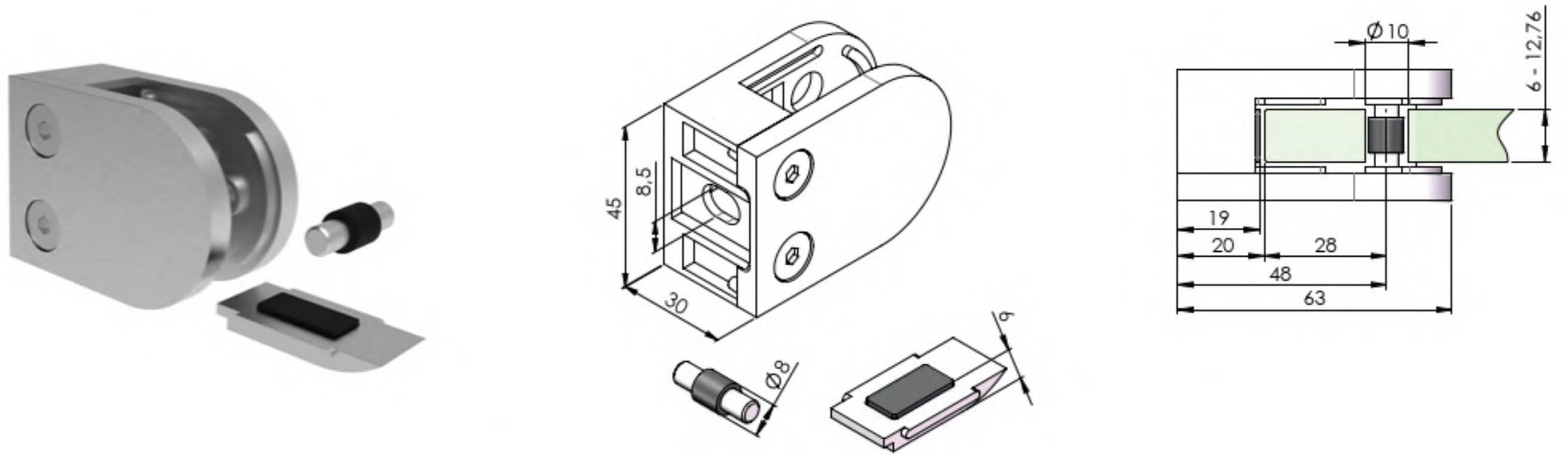


Quality	Finish	art.	∅					Test
AISI304	satin	A/250P-042	42,4	✓	1x			 
		A/250P-042-set4			4x	4x	8x	
	black RAL 9005	A-BL/250P-042-set4			4x	4x	8x	

new

ZAMAK	raw	ZN/250P-042	42,4	✓	1x			
-------	-----	-------------	------	---	----	--	--	--


	glass t							
	6	6,76	8	8,76	10	10,76	12	12,76
	A19/25-006	A19/25-007	A19/25-008	A19/25-009	A19/25-010	A19/25-011	A19/25-012	A19/25-013

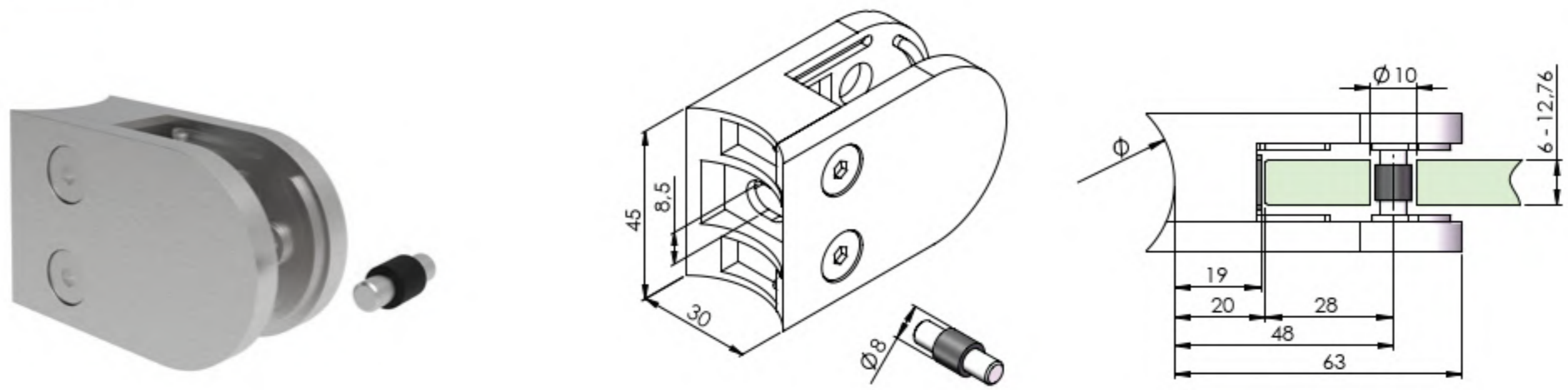


Quality	Finish	art.				Test
AISI304	satin	A/250P-000	1x			 
		A/250P-000-set4	4x	4x	8x	
	black RAL 9005	A-BL/250P-000-set4	4x	4x	8x	

new

ZAMAK	raw	ZN/250P-000	1x			
-------	-----	-------------	----	--	--	--

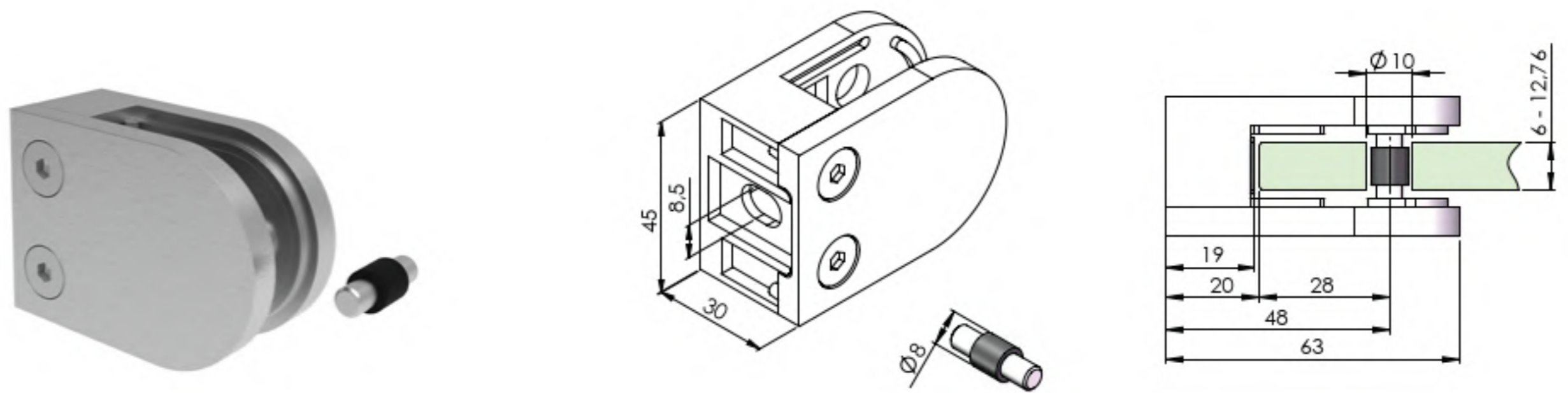
	glass t							
	6	6,76	8	8,76	10	10,76	12	12,76
	A19/25-006	A19/25-007	A19/25-008	A19/25-009	A19/25-010	A19/25-011	A19/25-012	A19/25-013



Quality	Finish	art.	∅					Test
						A-DIN 912-A2 M8x20	A19/04-PVC	
AISI304	satin	A/2500-042	42,4		1x			
		A/2500-042-set4		4x	4x	8x		
		A/2500-048-set4	48,3	4x	4x	8x		
AISI316	polish	A14/2500-042	42,4	✓	1x			
		A14/2500-048	48,3					
		A14/2500-042-L	42,4	1x				

top new

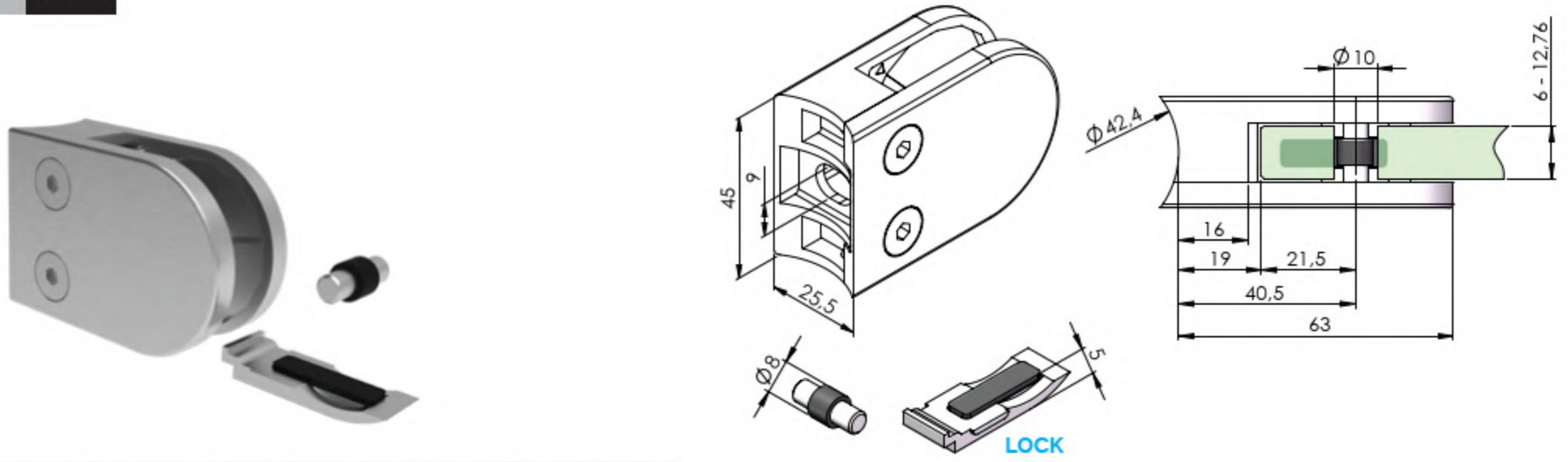
	glass t							
	6	6,76	8	8,76	10	10,76	12	12,76
	A19/25-006	A19/25-007	A19/25-008	A19/25-009	A19/25-010	A19/25-011	A19/25-012	A19/25-013



Quality	Finish	art.				Test
				A-DIN 912-A2 M8x20	A19/04-PVC	
AISI304	satin	A/2500-000	1x			
		A/2500-000-set4	4x	4x	8x	
AISI316		A14/2500-000	1x			
ZAMAK	raw	ZN/2500-000	1x			

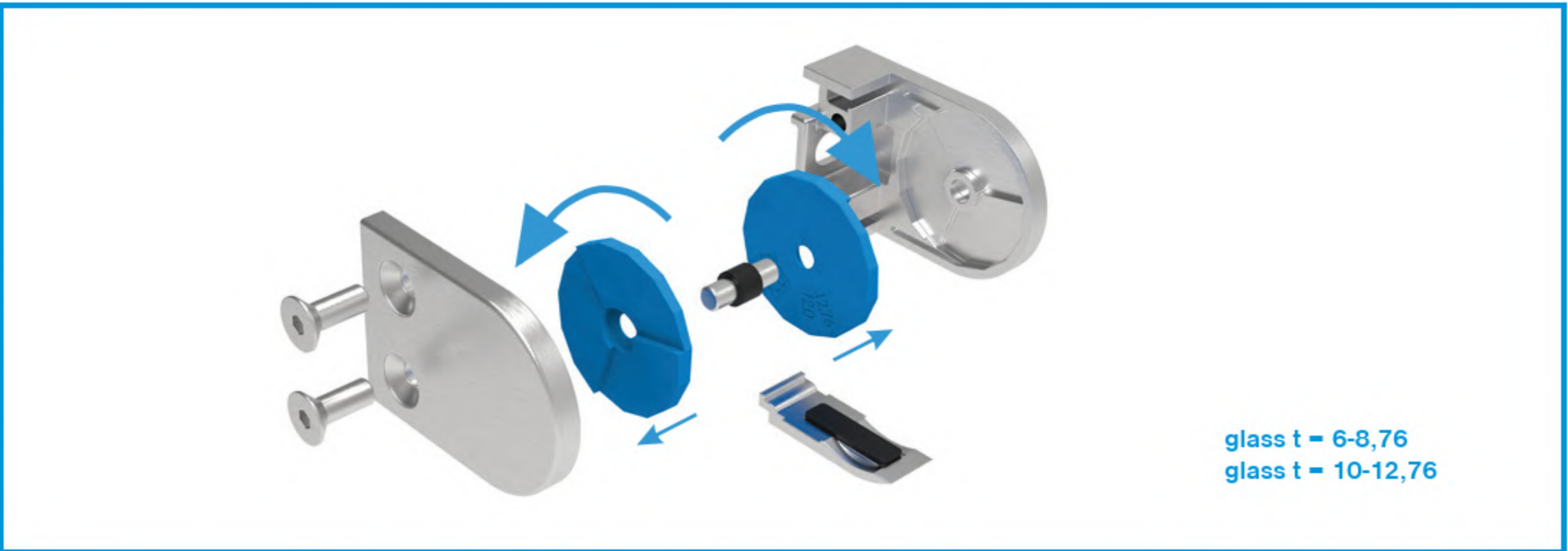
	glass t							
	6	6,76	8	8,76	10	10,76	12	12,76
	A19/25-006	A19/25-007	A19/25-008	A19/25-009	A19/25-010	A19/25-011	A19/25-012	A19/25-013

MODEL 25FX

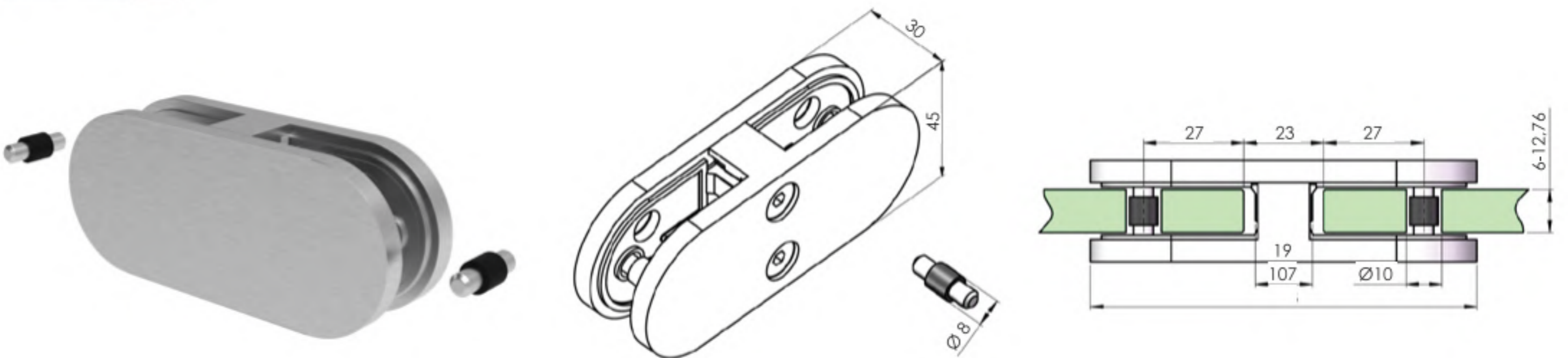


Quality	Finish	art.		
AISI304	satın	A/25FX-042	1x	A-DIN 912-A2 M5x20

glass t	A19/25-F06/F09				A19/25-F10/F13			
	6	6,76	8	8,76	10	10,76	12	12,76



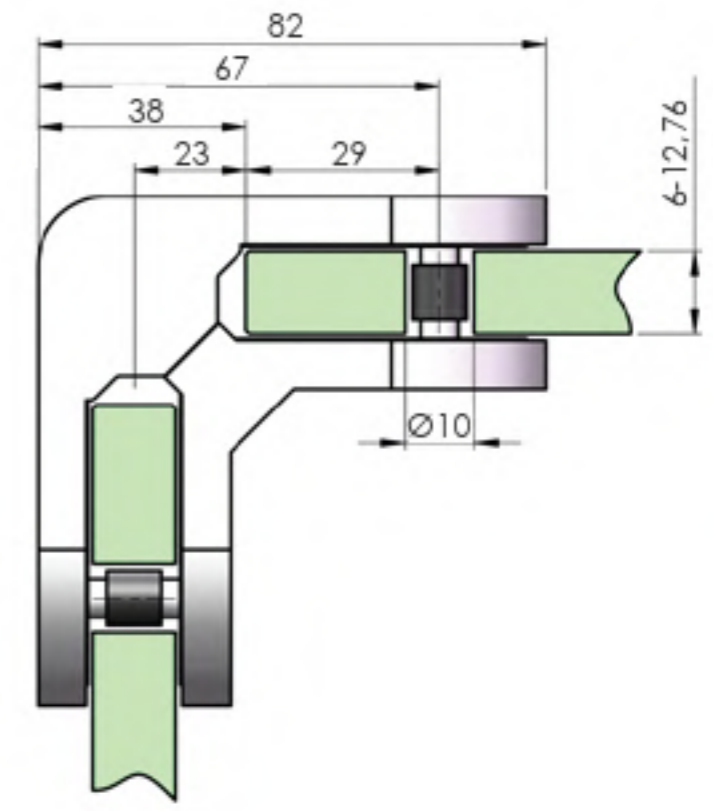
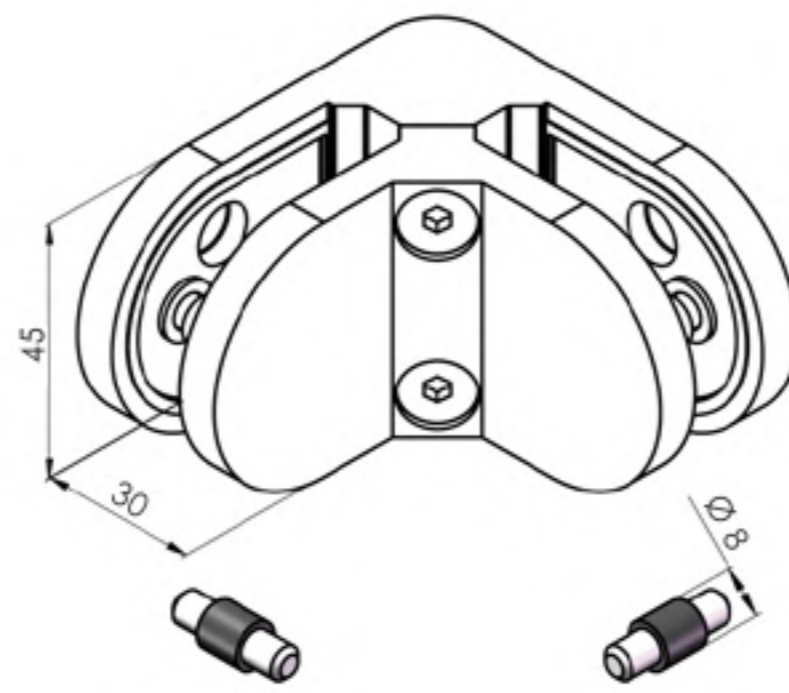
MODEL 25






Quality	Finish	art.		Test
AISI316	satın	A14/2500-700	1x	A19/04-PVC

glass t	A19/25-006				A19/25-007				A19/25-008				A19/25-009				A19/25-010				A19/25-011				A19/25-012				A19/25-013			
	6	6,76	8	8,76	10	10,76	12	12,76	6	6,76	8	8,76	10	10,76	12	12,76	6	6,76	8	8,76	10	10,76	12	12,76	6	6,76	8	8,76	10	10,76	12	12,76

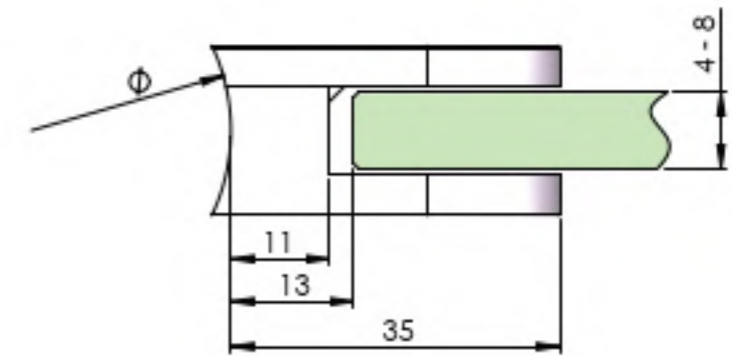
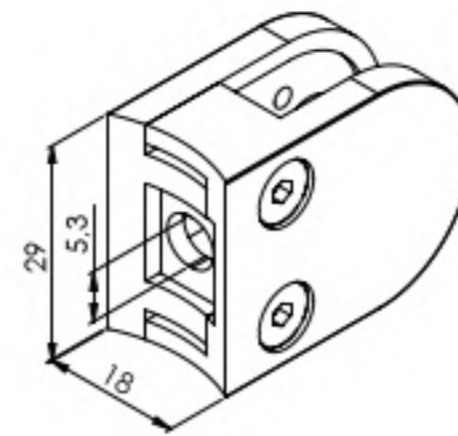
MODEL 25

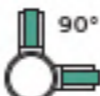





Quality	Finish	art.			Test
AISI316	satin	A14/2500-900	1x	A19/04-PVC	GAMIN

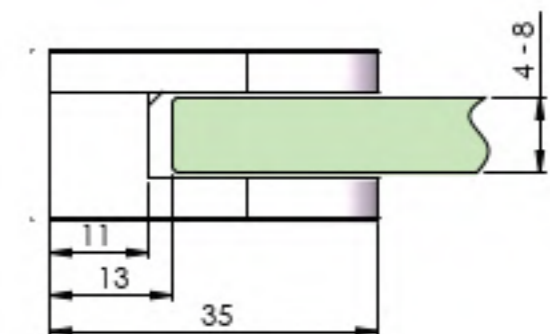
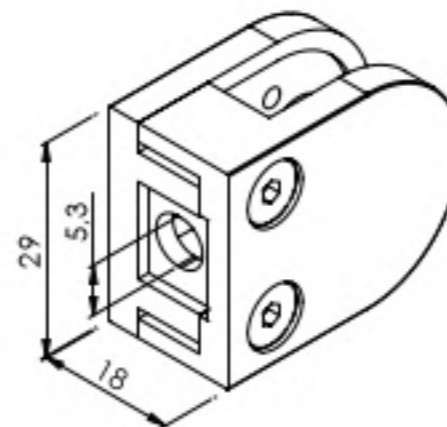
	6	6,76	8	8,76	10	10,76	12	12,76
	A19/25-006	A19/25-007	A19/25-008	A19/25-009	A19/25-010	A19/25-011	A19/25-012	A19/25-013

MODEL 28




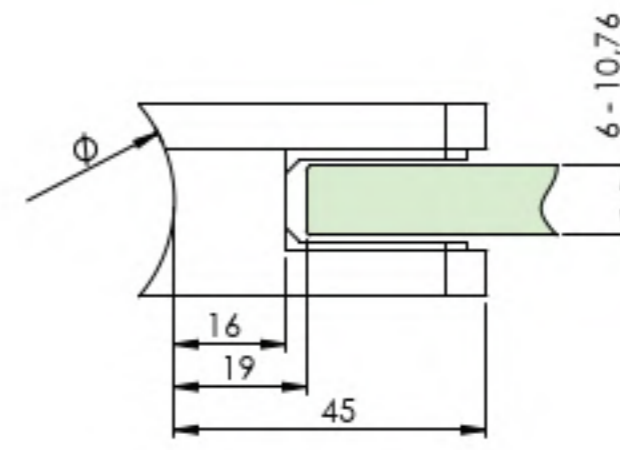
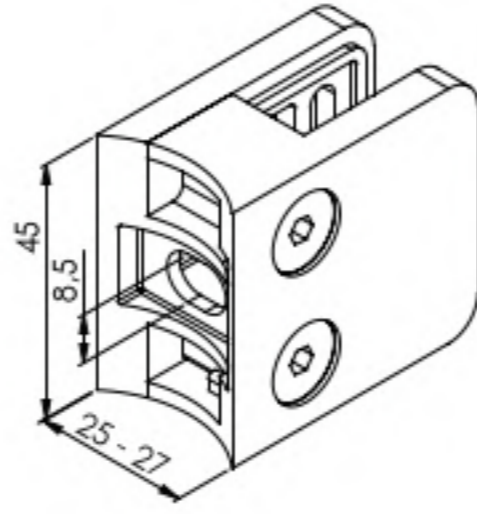
Quality	Finish	art.	Ø				Test
AISI304	satin	A/2800-033	33,7	✓	1x	A-DIN 912-A2 M5x20	GAMIN
		A/2800-042	42,4				

	glass t		
	4	6	8
	A19/28-004	A19/28-006	A19/28-008




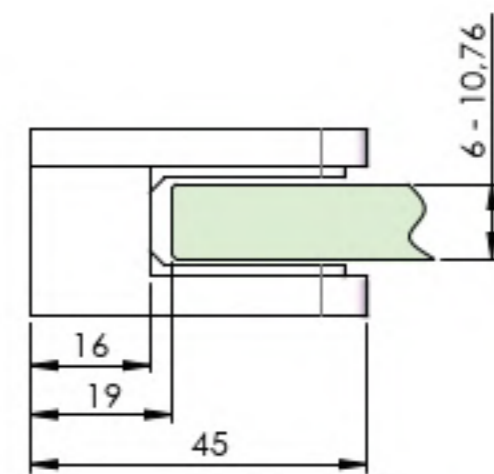
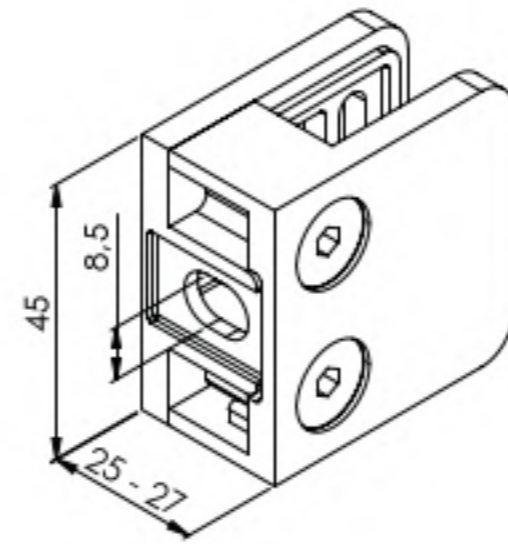
Quality	Finish	art.			Test
AISI304	satin	A/2800-000	1x	A-DIN 912-A2 M5x20	GAMIN







	glass t		
	4	6	8
	A19/28-004	A19/28-006	A19/28-008




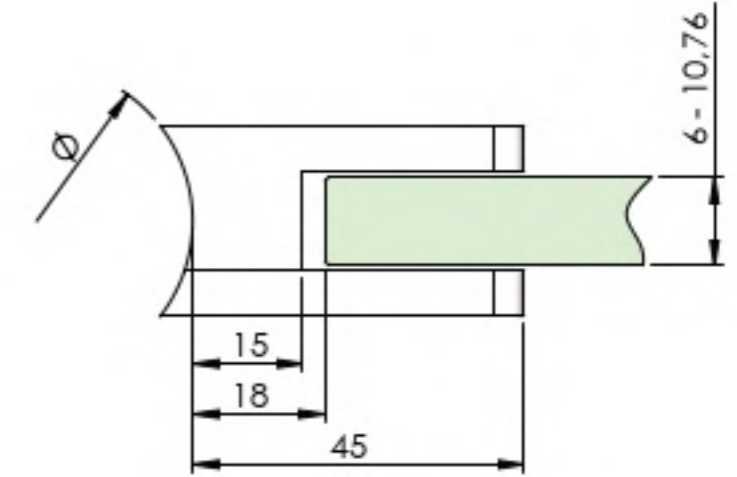
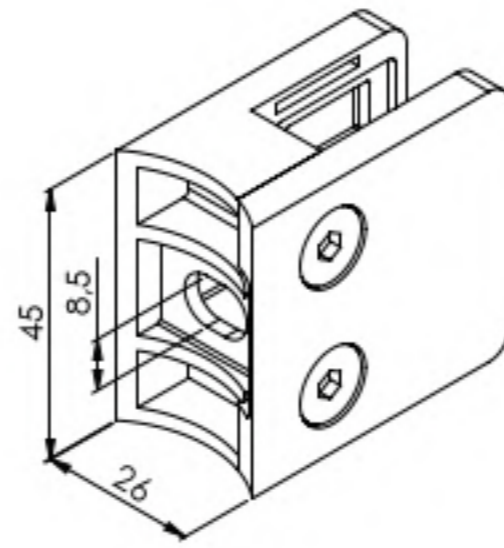
Quality	Finish	art.	∅					Test
						A-DIN 912-A2 M8x20	A19/04-PVC	
AISI304	satin	A/2100-033	33,7	-	1x			 GAMIN
		A/2100-042	42,4		4x	4x	8x	
		A/2100-042-set4	42,4	✓				
		A/2100-048	48,3					
	polish	A/2100-042-L	42,4					
AISI316	satin	A14/2100-033	33,7		1x			 GAMIN
		A14/2100-042	42,4					
		A14/2100-048	48,3	✓				
		A14/2100-042-L	42,4					
	polish	A14/2100-042-L	42,4					
ZAMAK	raw	ZN/2100-042						<i>new</i> <i>new</i>
	anthracite RAL 7016	ZN-AN/2100-000	42,4	✓	1x			
	black RAL 9005	ZN-BL/2100-000						
	polish	ZN-POLISH/2100-042						

	plate t			glass t					
	1,5	2	3	6	6,76	8	8,76	10	10,76
	A19/21-0015	A19/21-002	A19/21-003	A19/21-006	A19/21-007	A19/21-008	A19/21-009	A19/21-010	A19/21-011



Quality	Finish	art.				Test
				A-DIN 912-A2 M8x20	A19/04-PVC	
AISI304	satin	A/2100-000	1x			 GAMIN
		A/2100-000-set4	4x	4x	8x	
	polish	A/2100-000-L				
AISI316	satin	A14/2100-000	1x			 GAMIN
	polish	A14/2100-000-L				
ZAMAK	raw	ZN/2100-000				 GAMIN
	polish	ZN-POLISH/2100-000	1x			

	plate t			glass t					
	1,5	2	3	6	6,76	8	8,76	10	10,76
	A19/21-0015	A19/21-002	A19/21-003	A19/21-006	A19/21-007	A19/21-008	A19/21-009	A19/21-010	A19/21-011









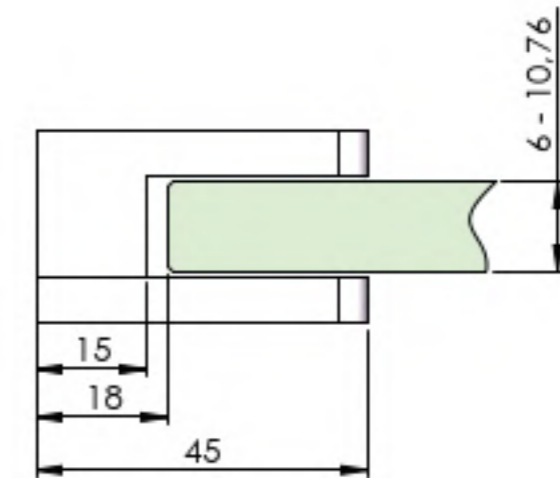
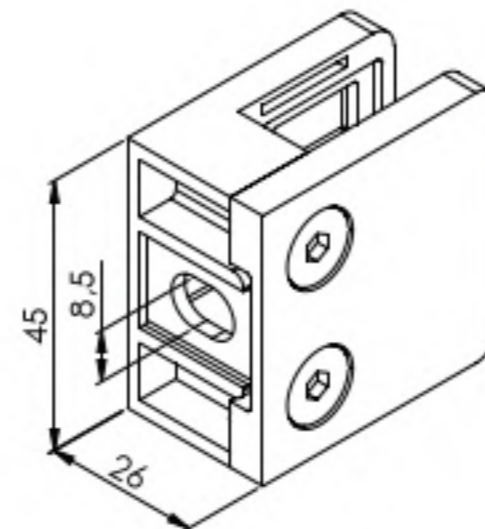





Quality	Finish	art.	∅					Test
AISI304	satin	A/2300-042	42,4	✓	1x	A-DIN 912-A2 M8x20	A19/04-PVC	 
		A/2300-042-set4			4x			
polish	A/2300-042-L							
AISI316	satin	A14/2300-042						
		polish	A14/2300-042-L					

	plate t				
		1,5	2	3	4
	A19/23-P1,5/K3,5	A19/23-P02/K04	A19/23-P03/K05	A19/23-P04/K06	A19/23-P05/K07


	glass t					
		6	6,76	8	8,76	10
	A19/23-P06/K08	A19/23-P07/K09	A19/23-P08/K10	A19/23-P09/K11	A19/23-P10/K12	A19/23-P11/K13




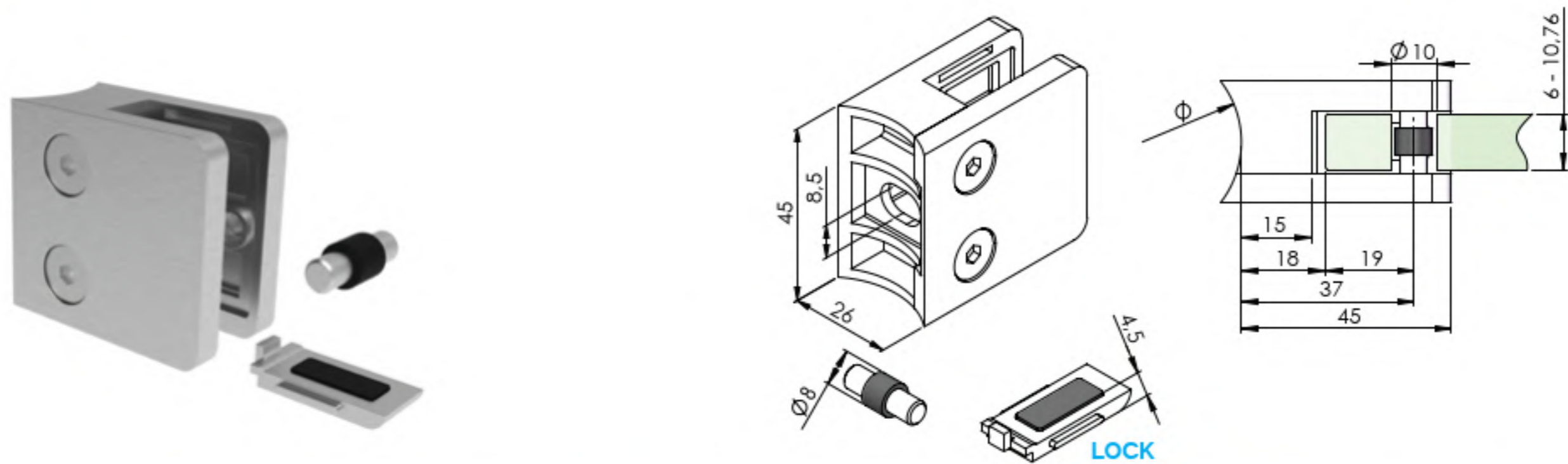
Quality	Finish	art.				Test
AISI304	satin	A/2300-000	1x	A-DIN 912-A2 M8x20	A19/04-PVC	 
		A/2300-000-set4	4x			
polish	A/2300-000-L					
AISI316	satin	A14/2300-000	1x			
		polish	A14/2300-000-L			

top

ZAMAK	raw	ZN/2300-000	1x			
-------	-----	-------------	----	--	--	--

	plate t				
		1,5	2	3	4
	A19/23-P1,5/K3,5	A19/23-P02/K04	A19/23-P03/K05	A19/23-P04/K06	A19/23-P05/K07

	glass t					
		6	6,76	8	8,76	10
	A19/23-P06/K08	A19/23-P07/K09	A19/23-P08/K10	A19/23-P09/K11	A19/23-P10/K12	A19/23-P11/K13



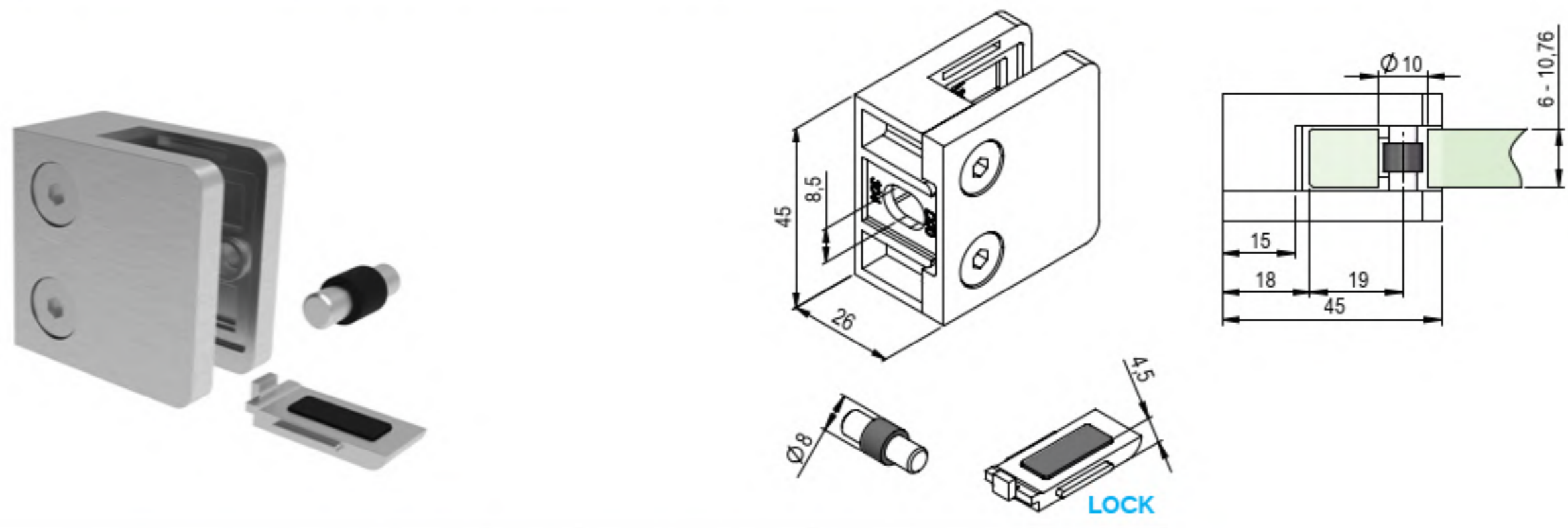
Quality	Finish	art.	Ø					Test
						A-DIN 912-A2 M8x20	A19/04-PVC	
AISI304	satin	A/230P-033	33,7	-	1x			 GAMIN
		A/230P-042						
		A/230P-042-set4						
	black RAL 9005	A-BL/230P-042-set4	42,4		4x	4x	8x	
	PVD Black	A-PVD/230P-042-set4						
	polish	A/230P-042-L	42,4	✓				
AISI316	satin	A14/230P-042	42,4					
		A14/230P-048	48,3					
	polish	A14/230P-042-L	42,4					
ZAMAK	raw	ZN/230P-042	42,4	✓	1x			

top

new
new

	plate t				
	1,5	2	3	4	5
	A19/23-P1,5/K3,5	A19/23-P02/K04	A19/23-P03/K05	A19/23-P04/K06	A19/23-P05/K07

	glass t					
	6	6,76	8	8,76	10	10,76
	A19/23-P06/K08	A19/23-P07/K09	A19/23-P08/K10	A19/23-P09/K11	A19/23-P10/K12	A19/23-P11/K13



Quality	Finish	art.				Test
				A-DIN 912-A2 M8x20	A19/04-PVC	
AISI304	satin	A/230P-000	1x			 GAMIN
		A/230P-000-set4				
	black RAL 9005	A-BL/230P-000-set4	4x	4x	8x	
	polish	A/230P-000-L				
AISI316	satin	A14/230P-000	1x			
	polish	A14/230P-000-L				
ZAMAK	raw	ZN/230P-000	1x			

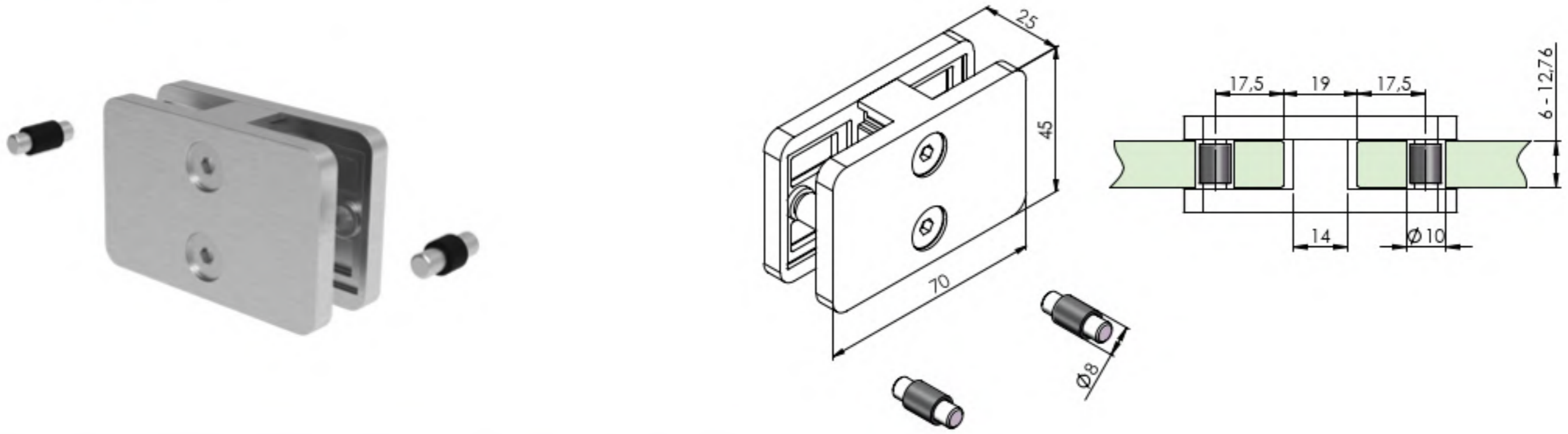
top

new

	plate t				
	1,5	2	3	4	5
	A19/23-P1,5/K3,5	A19/23-P02/K04	A19/23-P03/K05	A19/23-P04/K06	A19/23-P05/K07

	glass t					
	6	6,76	8	8,76	10	10,76
	A19/23-P06/K08	A19/23-P07/K09	A19/23-P08/K10	A19/23-P09/K11	A19/23-P10/K12	A19/23-P11/K13

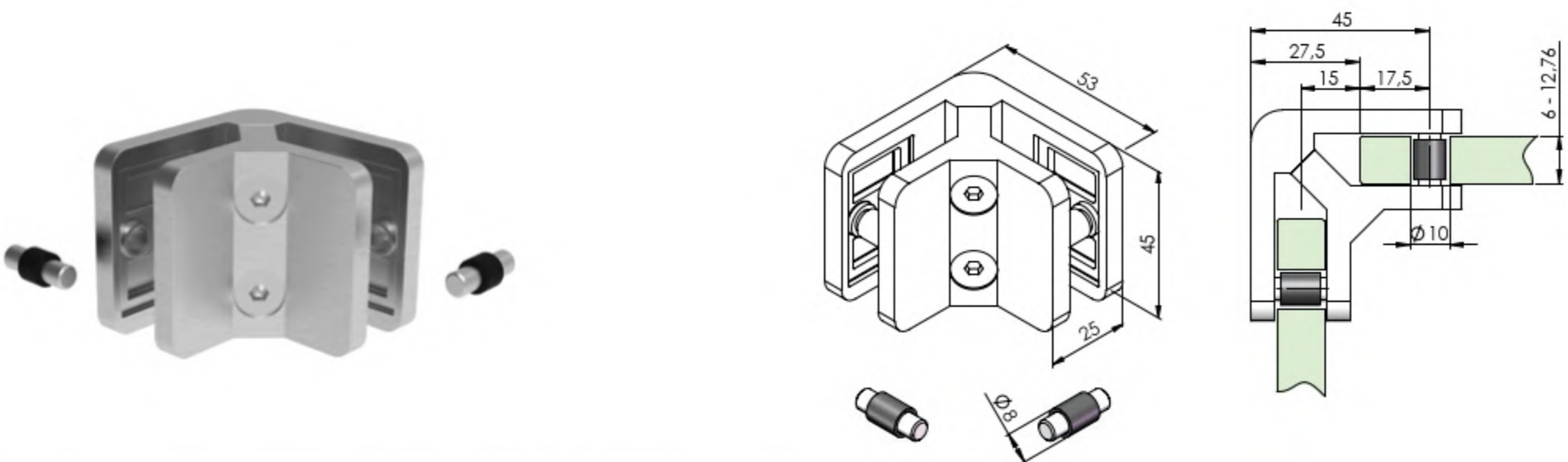
MODEL 230P



Quality	Finish	art.			Test
AISI316	satın	A14/230P-700	1x	A19/04-PVC	GAMIN

	plate t				
	1,5	2	3	4	5
	A19/23-P1,5/K3,5	A19/23-P02/K04	A19/23-P03/K05	A19/23-P04/K06	A19/23-P05/K07

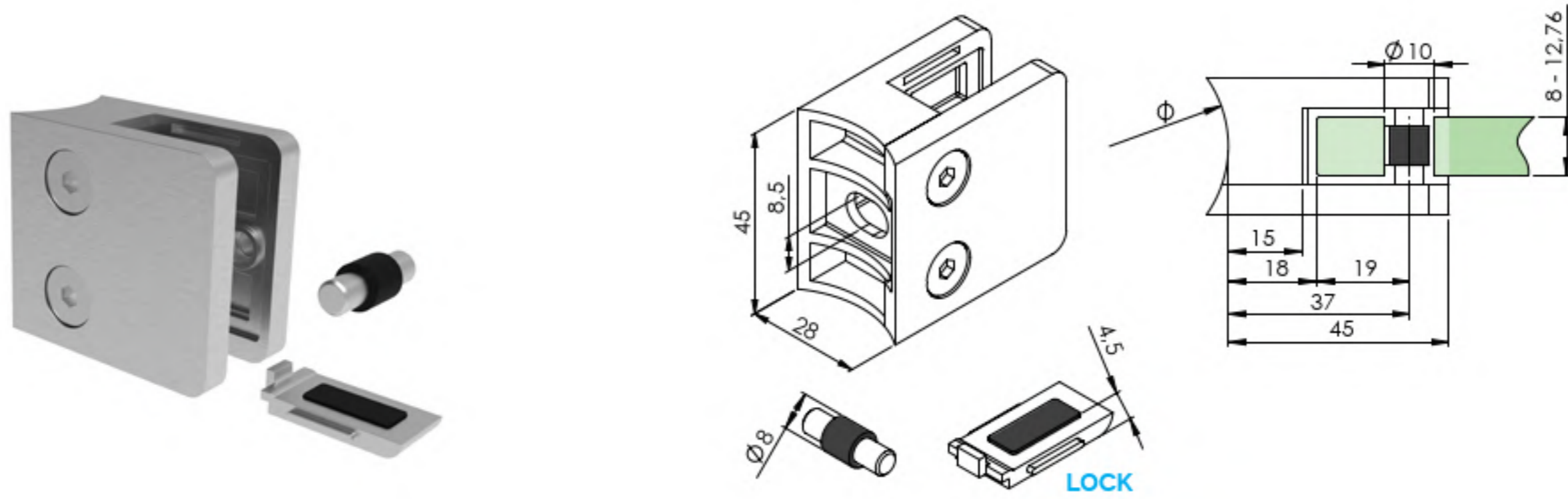
	glass t							
	6	6,76	8	8,76	10	10,76	12	12,76
	A19/23-P06/K08	A19/23-P07/K09	A19/23-P08/K10	A19/23-P09/K11	A19/23-P10/K12	A19/23-P11/K13	A19/23-P12	A19/23-P13



Quality	Finish	art.			Test
AISI316	satın	A14/230P-900	1x	A19/04-PVC	GAMIN

	plate t				
	1,5	2	3	4	5
	A19/23-P1,5/K3,5	A19/23-P02/K04	A19/23-P03/K05	A19/23-P04/K06	A19/23-P05/K07

	glass t							
	6	6,76	8	8,76	10	10,76	12	12,76
	A19/23-P06/K08	A19/23-P07/K09	A19/23-P08/K10	A19/23-P09/K11	A19/23-P10/K12	A19/23-P11/K13	A19/23-P12	A19/23-P13










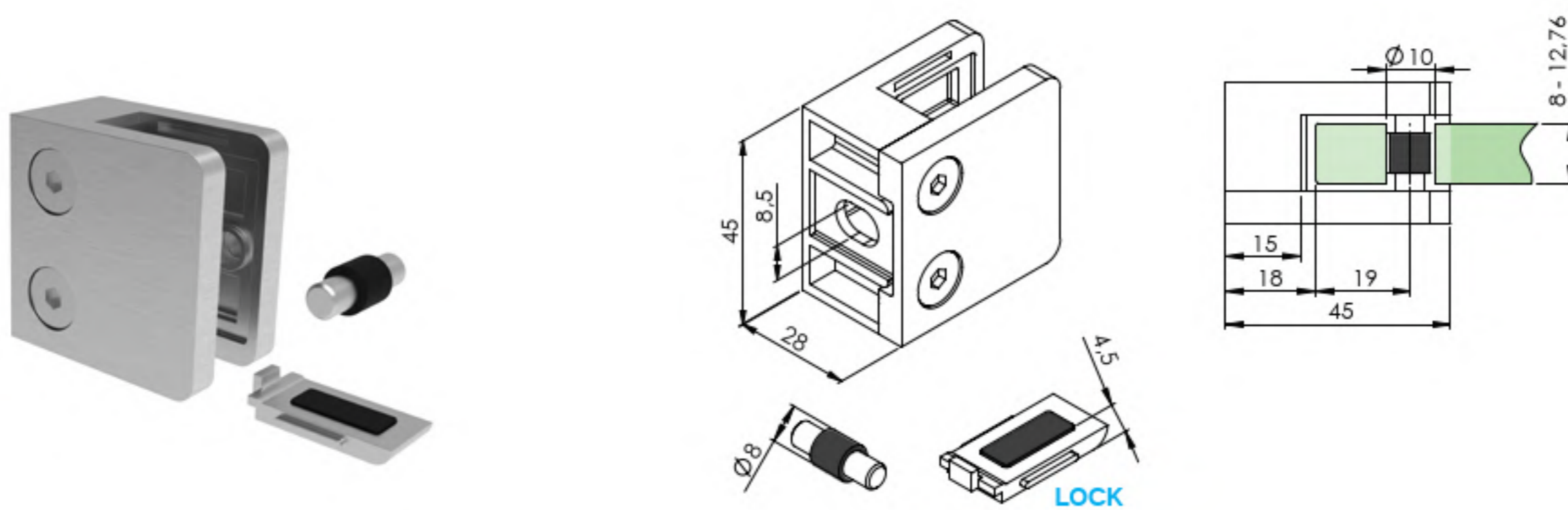
Quality	Finish	art.	∅					Test
						A-DIN 912-A2 M8x20	A19/04-PVC	
AISI304	satin	A/23KP-042	42,4	✓	4x	4x	8x	 
		A/23KP-042-set4						
AISI316	polish	A14/23KP-042						
		A14/23KP-042-L						


	plate t				
	3,5	4	5	6	7
	A19/23-P1,5/K3,5	A19/23-P02/K04	A19/23-P03/K05	A19/23-P04/K06	A19/23-P05/K07

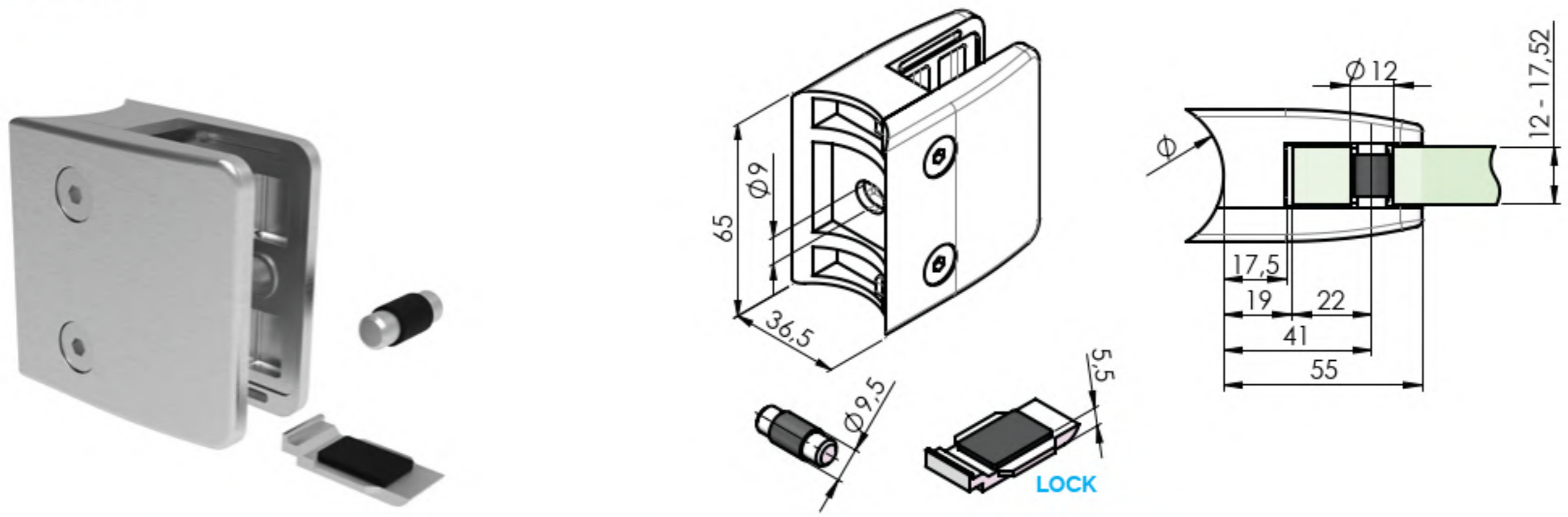
	glass t					
	8	8,76	10	10,76	12	12,76
	A19/23-P06/K08	A19/23-P07/K09	A19/23-P08/K10	A19/23-P09/K11	A19/23-P10/K12	A19/23-P11/K13



Quality	Finish	art.				Test
				A-DIN 912-A2 M8x20	A19/04-PVC	
AISI304	satin	A/23KP-000	4x	4x	8x	 
		A/23KP-000-set4				
AISI316	polish	A/23KP-000-L				
		A14/23KP-000				
AISI316	satin	A14/23KP-000-set4	4x	4x	8x	
		A14/23KP-000-L				

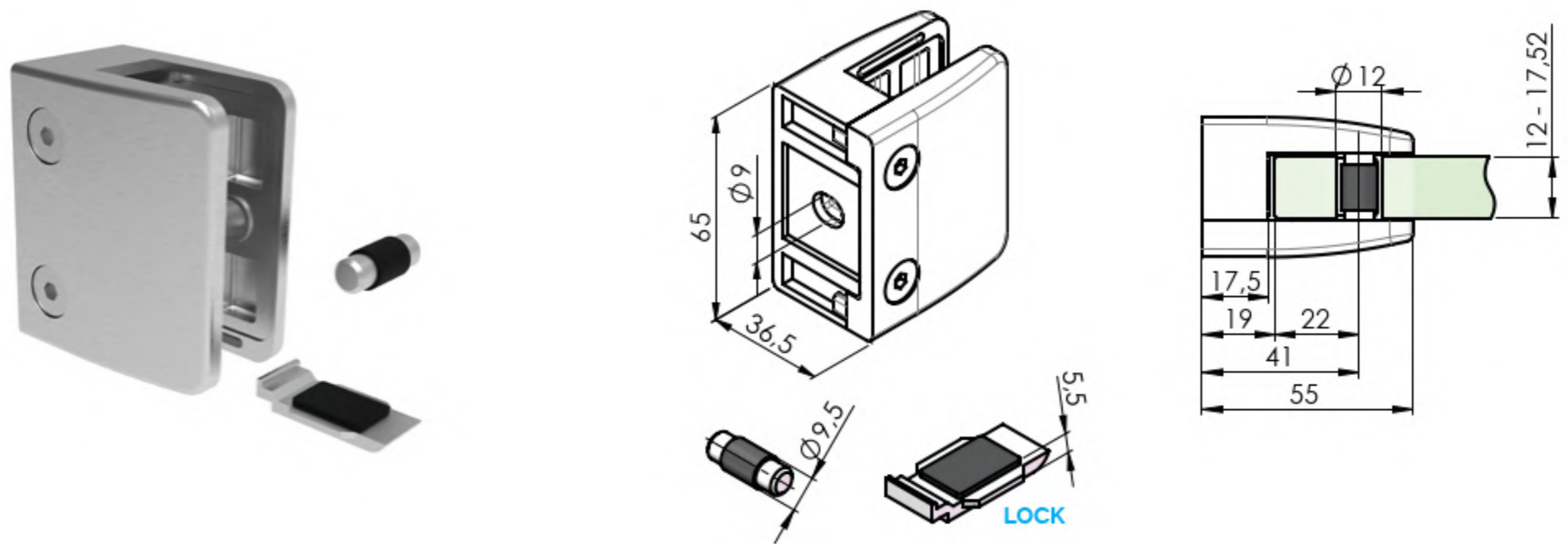
	plate t				
	3,5	4	5	6	7
	A19/23-P1,5/K3,5	A19/23-P02/K04	A19/23-P03/K05	A19/23-P04/K06	A19/23-P05/K07

	glass t					
	8	8,76	10	10,76	12	12,76
	A19/23-P06/K08	A19/23-P07/K09	A19/23-P08/K10	A19/23-P09/K11	A19/23-P10/K12	A19/23-P11/K13



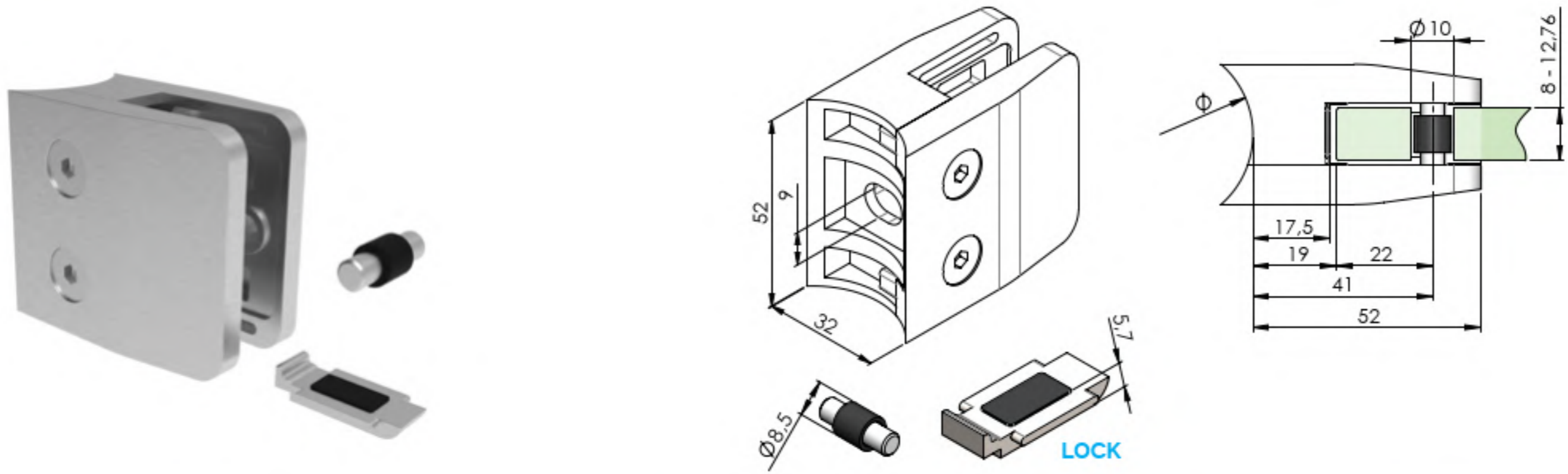
Quality	Finish	art.	∅	90°				Test
						A-DIN 912-A2 M8x20	A19/04-PVC	
AISI304	satin	A/2400-042			1x			 GAMIN
		A/2400-042-set4	42,4	-	4x	4x	8x	
AISI316	satin	A14/2400-042			1x			
		A14/2400-048	48,3					
ZAMAK	raw	ZN/2400-042	42,4	-	1x			

	glass t				
	12,00	12,76	13,52	16,76	17,52
A19/24-012	A19/24-013	A19/24-014	A19/24-017	A19/24-018	



Quality	Finish	art.				Test
				A-DIN 912-A2 M8x20	A19/04-PVC	
AISI304	satin	A/2400-000	1x			 GAMIN
		A/2400-000-set4	4x	4x	8x	
AISI316	polish	A14/2400-000	1x			
		A14/2400-000-L-set4	4x	4x	8x	
ZAMAK	raw	ZN/2400-000	1x			

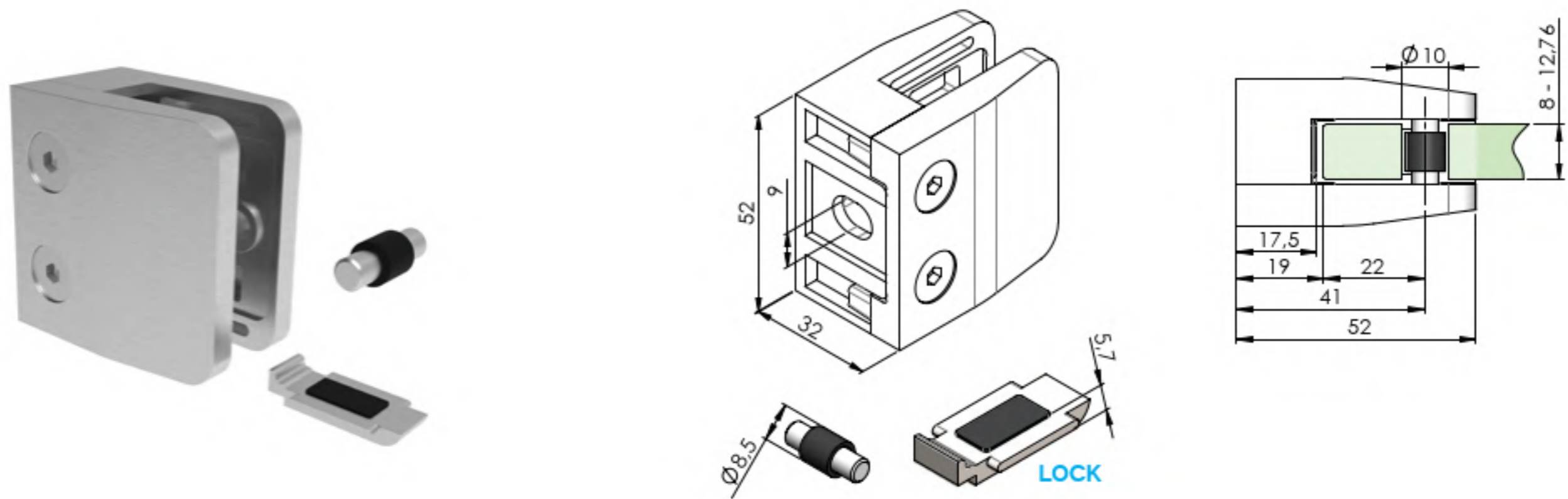
	glass t				
	12,00	12,76	13,52	16,76	17,52
A19/24-012	A19/24-013	A19/24-014	A19/24-017	A19/24-018	



Quality	Finish	art.	∅					Test
						A-DIN 912-A2 M8x20	A19/04-PVC	
AISI304	satin	A/2600-042			1x			 GAMIN
		A/2600-042-set4	42,4	-	4x	4x	8x	
	black RAL 9005	A-BL/2600-042-set4						
	satin	A/2600-048	48,3	✓	1x			
A/2600-048-set4				4x	4x	8x		
AISI316	satin	A14/2600-042	42,4	-	1x			
		A14/2600-048	48,3	✓				
ZAMAK	raw	ZN/2600-042	42,4	-				
		ZN/2600-048	48,3	✓	1x			
	satin	ZN-SATIN/2600-042	42,4	-				

new

	glass t					
	8	8,76	10	10,76	12	12,76
	A19/26-008	A19/26-009	A19/26-010	A19/26-011	A19/26-012	A19/26-013



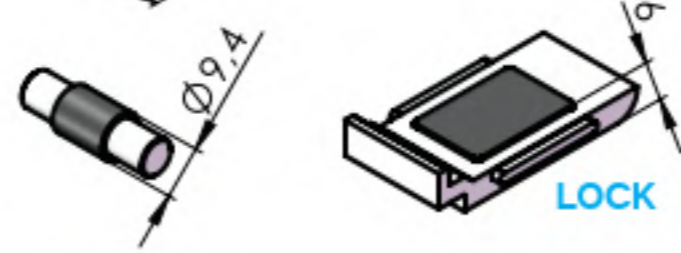
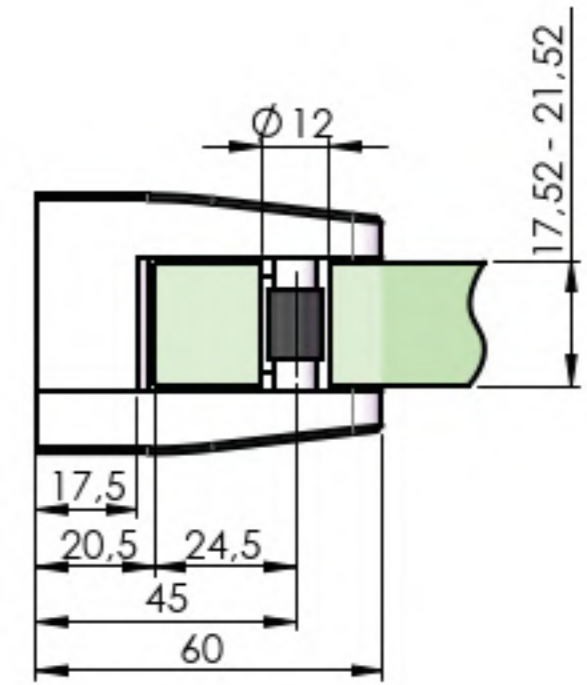
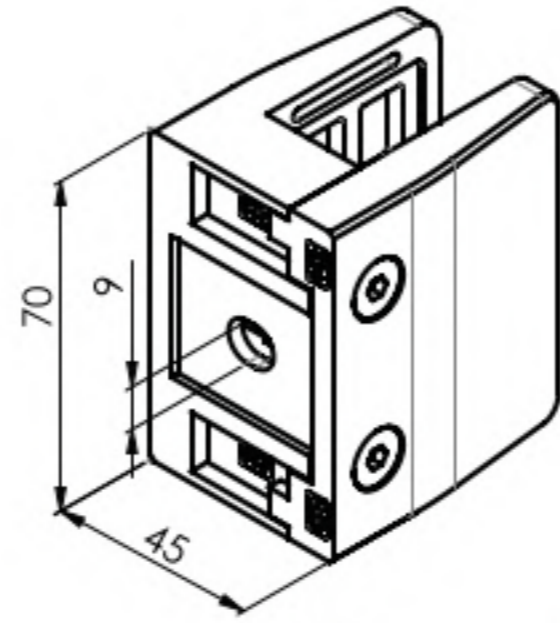
Quality	Finish	art.				Test
				A-DIN 912-A2 M8x20	A19/04-PVC	
AISI304	satin	A/2600-000	1x			 GAMIN
		A/2600-000-set4	4x	4x	8x	
	black RAL 9005	A-BL/2600-000-set4				
AISI316	satin	A14/2600-000	1x			
ZAMAK	raw	ZN/2600-000	1x			
	satin	ZN-SATIN/2600-000				

top

new

	glass t					
	8	8,76	10	10,76	12	12,76
	A19/26-008	A19/26-009	A19/26-010	A19/26-011	A19/26-012	A19/26-013

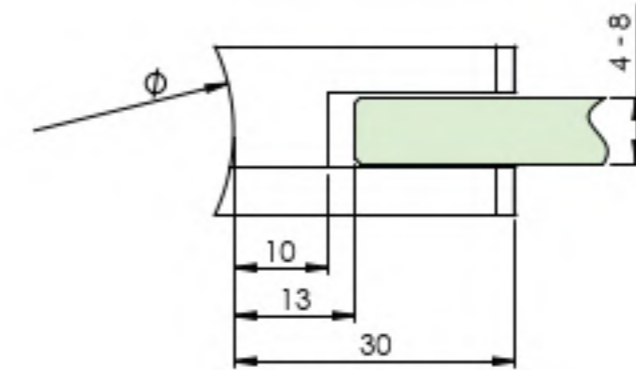
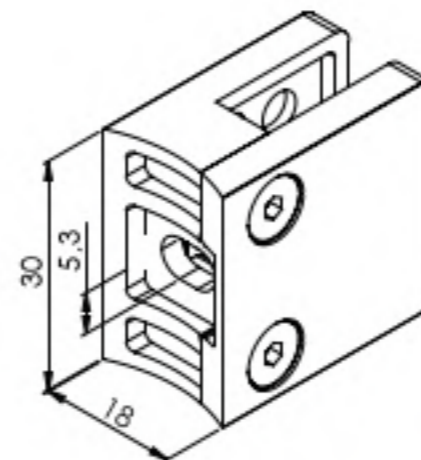
MODEL 27



Quality	Finish	art.				Test
AISI316	satın	A14/2700-000	1x	A-DIN 912-A2 M8x20	A19/04-PVC	GAMIN LGAN AbP

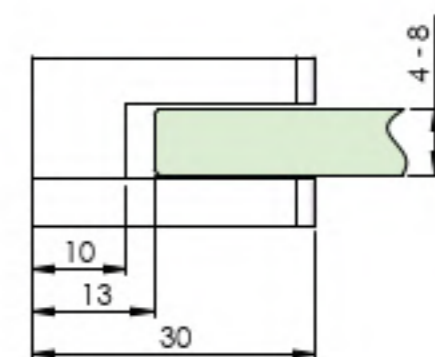
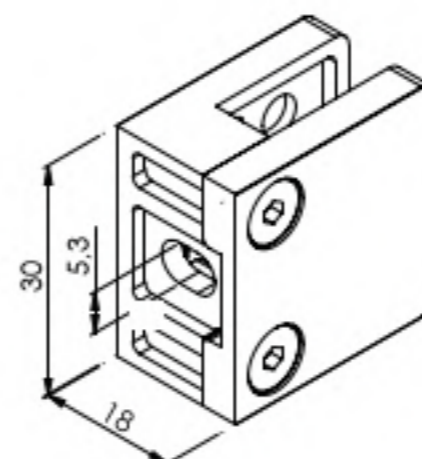
	glass t		
	17,52	20,76	21,52
A19/27-018	A19/27-021	A19/27-022	

MODEL 29



Quality	Finish	art.	∅	90°			Test
AISI304	satın	A/2900-033	33,7	✓	1x	A-DIN 912-A2 M5x20	GAMIN
		A/2900-042	42,4				

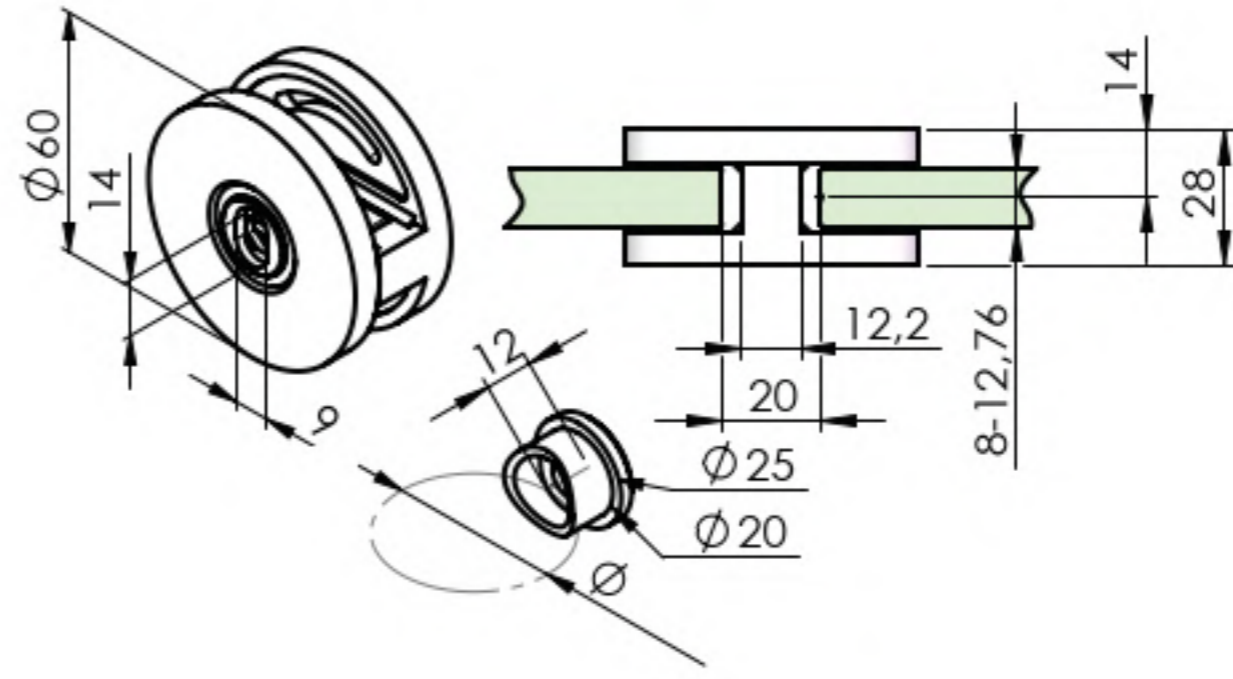
	glass t		
	4	6	8
A19/29-004	A19/29-006	A19/29-008	



Quality	Finish	art.			Test
AISI304	satın	A/2900-000	1x	A-DIN 912-A2 M5x20	GAMIN

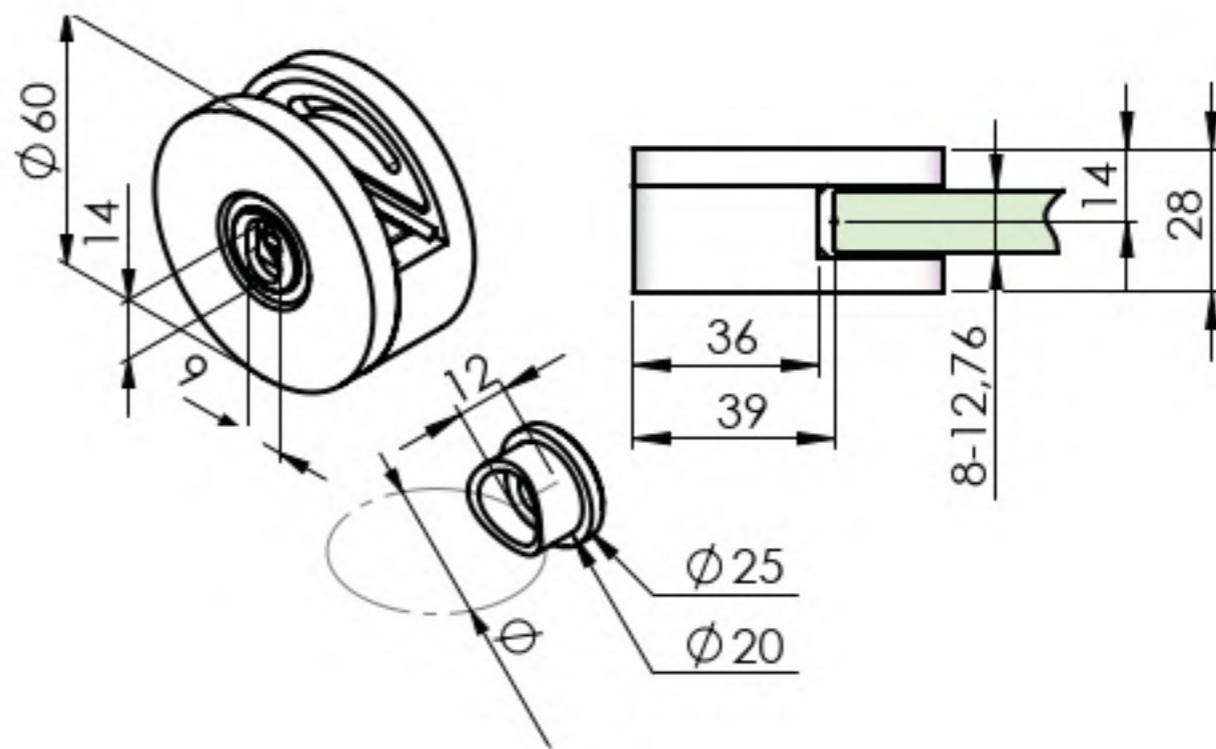
	glass t		
	4	6	8
A19/29-004	A19/29-006	A19/29-008	

MODEL 41




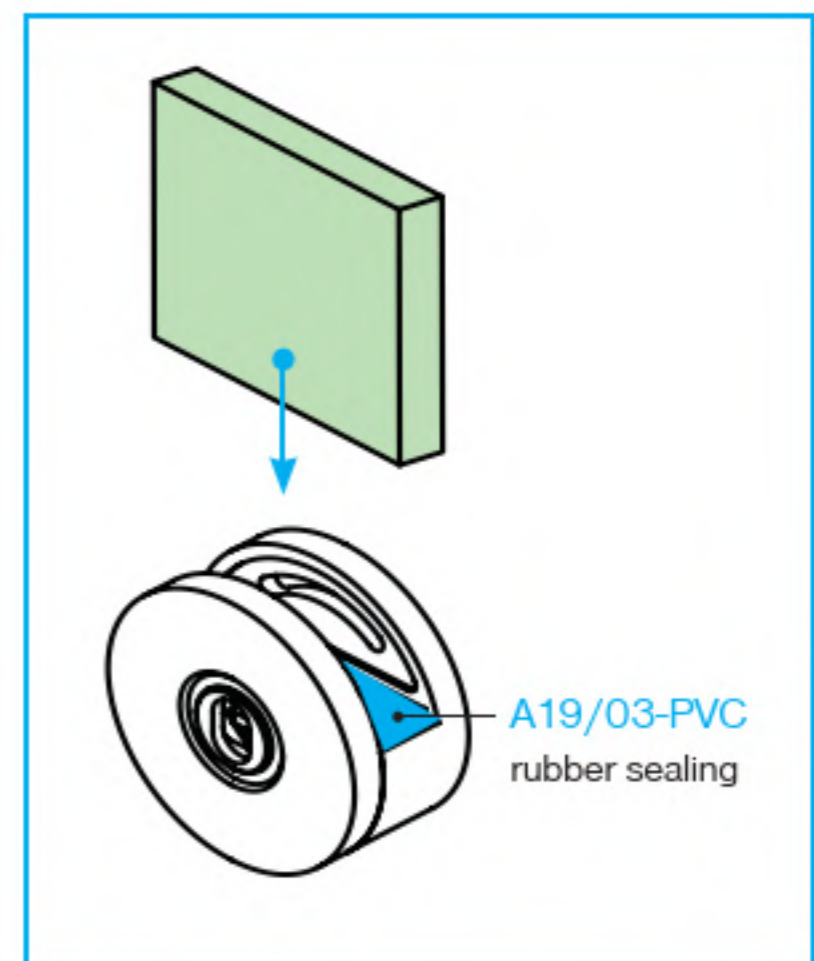
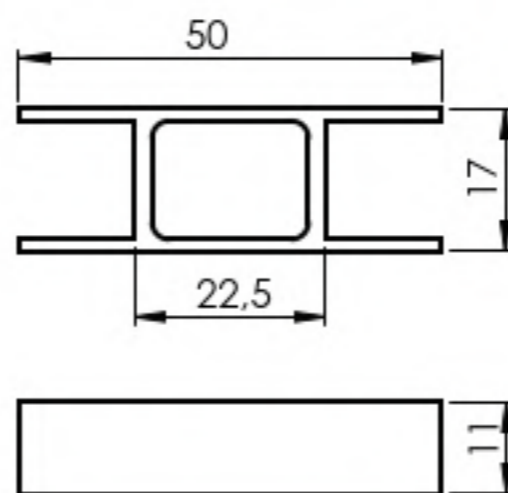
Quality	Finish	art.	Ø		 A-DIN 7380-A2 M8x20	 A19/04-PVC	 flat	 Ø 42,4	 A19/03-PVC
AISI304	satin	A/4100-700	flat	1x	optional	optional	✓		
		A/4100-742	42,4					✓	optional

MODEL 40



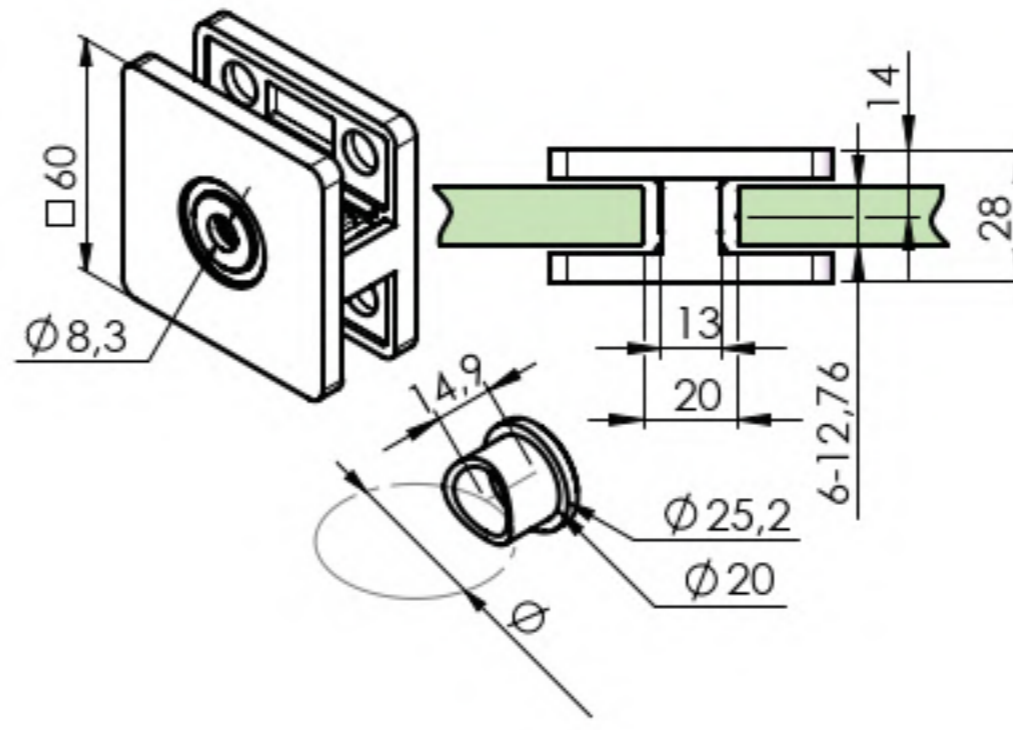
Quality	Finish	art.	Ø		 A-DIN 7380-A2 M8x20	 A19/04-PVC	 flat	 Ø 42,4	 A19/03-PVC
AISI304	satin	A/4000-700	flat	1x	optional	optional	✓		
		A/4000-742	42,4					✓	optional



	glass t					
	8	8,76	10	10,76	12	12,76
	A19/4041-008	A19/4041-009	A19/4041-010	A19/4041-011	A19/4041-012	A19/4041-013



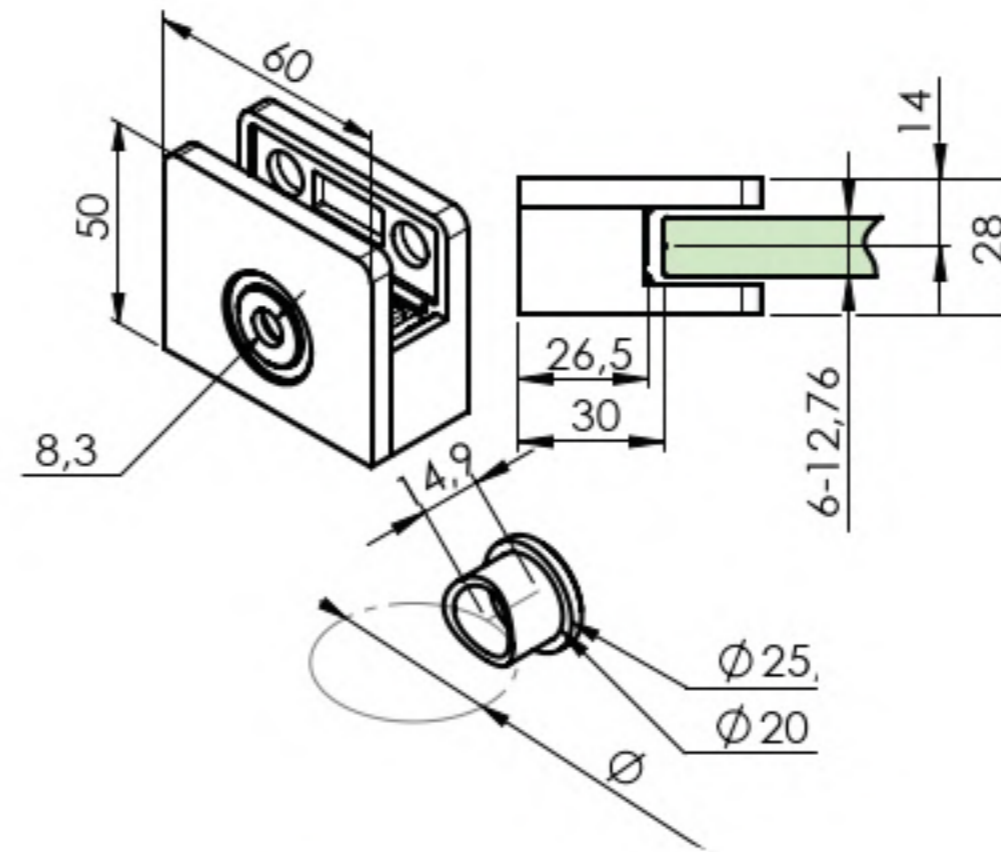
Quality	Finish	art.
PVC	raw	A19/03-PVC

MODEL 21X




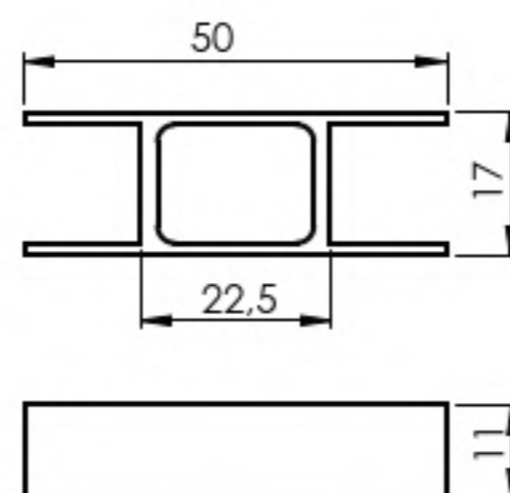
Quality	Finish	art.	∅		 A-DIN 7380-A2 M8x20	 A19/04-PVC	 flat	 ∅ 42,4	 A19/03-PVC
AISI316	satin	A14/2100-700	flat	1x	optional	optional	✓		
		A14/2100-742	42,4					✓	
	polish	A14/2100-700-L	flat				✓		
		A14/2100-742-L	42,4					✓	

MODEL 21XX

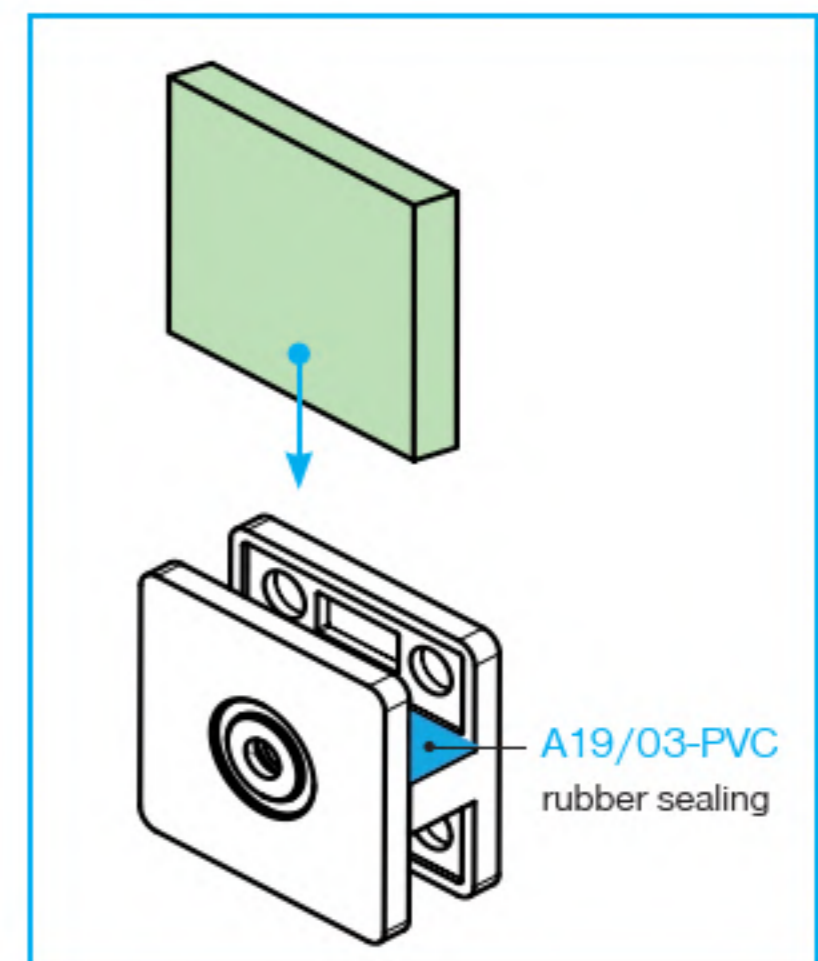


Quality	Finish	art.	∅		 A-DIN 7380-A2 M8x20	 A19/04-PVC	 flat	 ∅ 42,4	 A19/03-PVC
AISI316	satin	A14/2110-700	flat	1x	optional	optional	✓		
		A14/2110-742	42,4					✓	
	polish	A14/2110-700-L	flat				✓		
		A14/2110-742-L	42,4					✓	

	glass t							
	6	6,76	8	8,76	10	10,76	12	12,76
	A19/21-706	A19/21-707	A19/21-708	A19/21-709	A19/21-710	A19/21-711	A19/21-712	A19/21-713



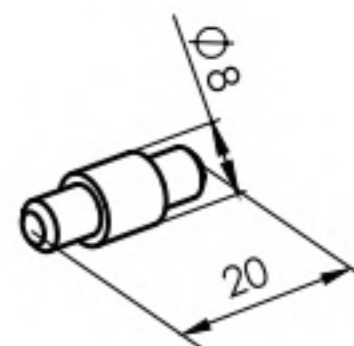
Quality	Finish	art.
PVC	raw	A19/03-PVC





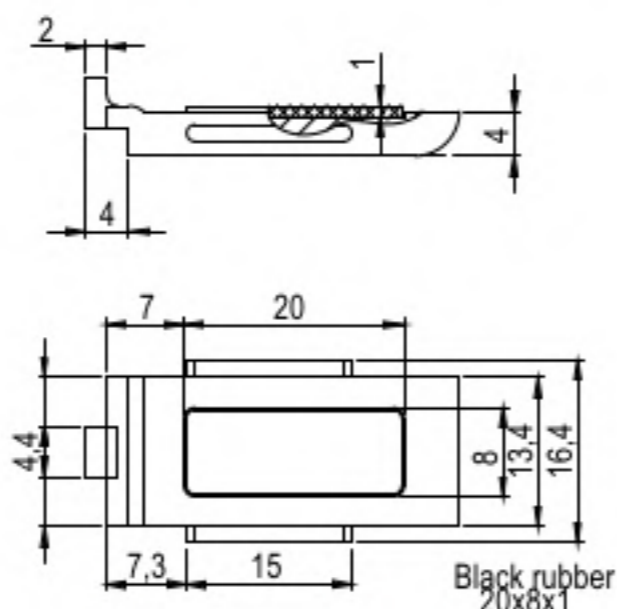
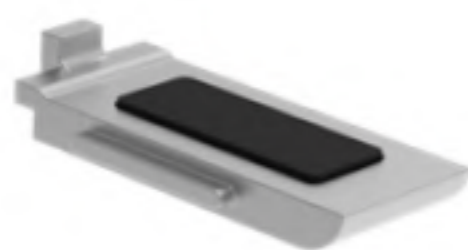
A19/04-PVC A19/04-PVC-L A19/04-PVC-BLACK

Quality	Finish	art.
PVC	raw	A19/04-PVC
	polish	A19/04-PVC-L
	black	A19/04-PVC-BLACK

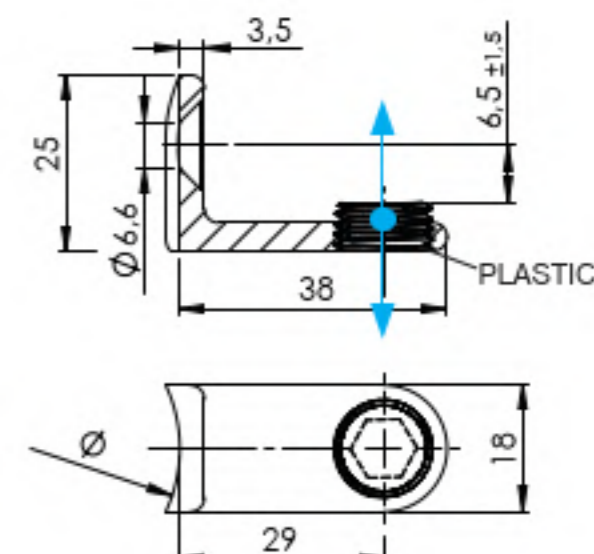


Quality	Finish	art.	model compatibility
AISI304	satin	A19/5015-020	20/200P/22/ 23/23KP/230P/26
		A19/5015-023	23/25/250P

new
new



A/1003-000 A/1003-042

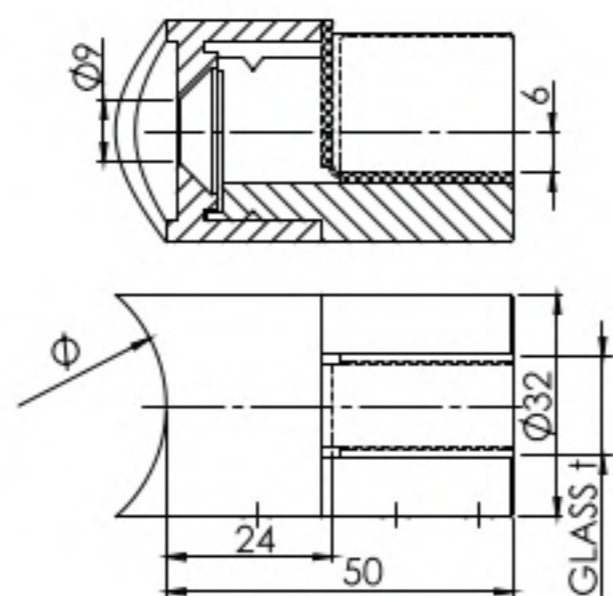


Quality	Finish	art.	model compatibility
AISI304	satin	A19/230P-plate	23/230P

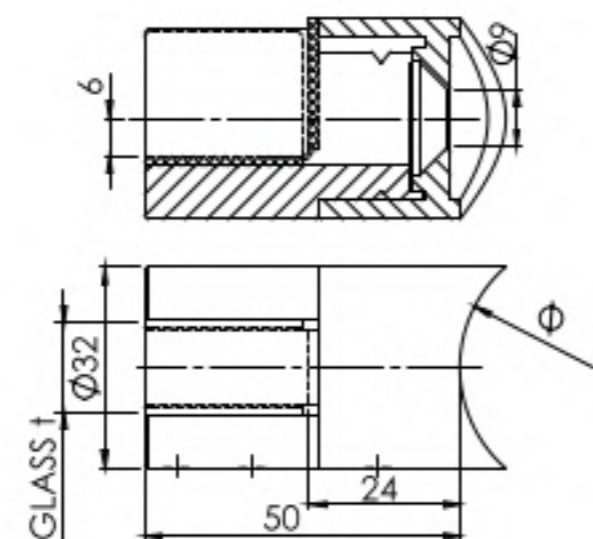
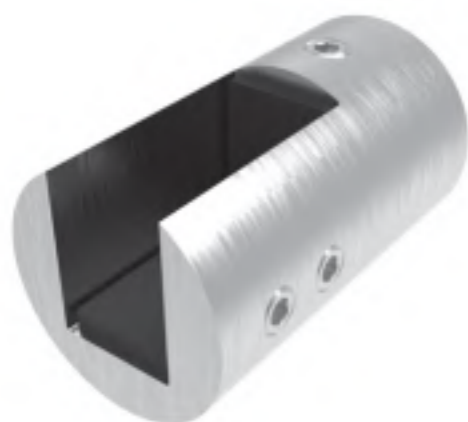
new

Quality	Finish	∅	art.	A4-DIN 7991 M6x40
AISI304	satin	flat	A/1003-000	optional
		42,4	A/1003-042	

new
new

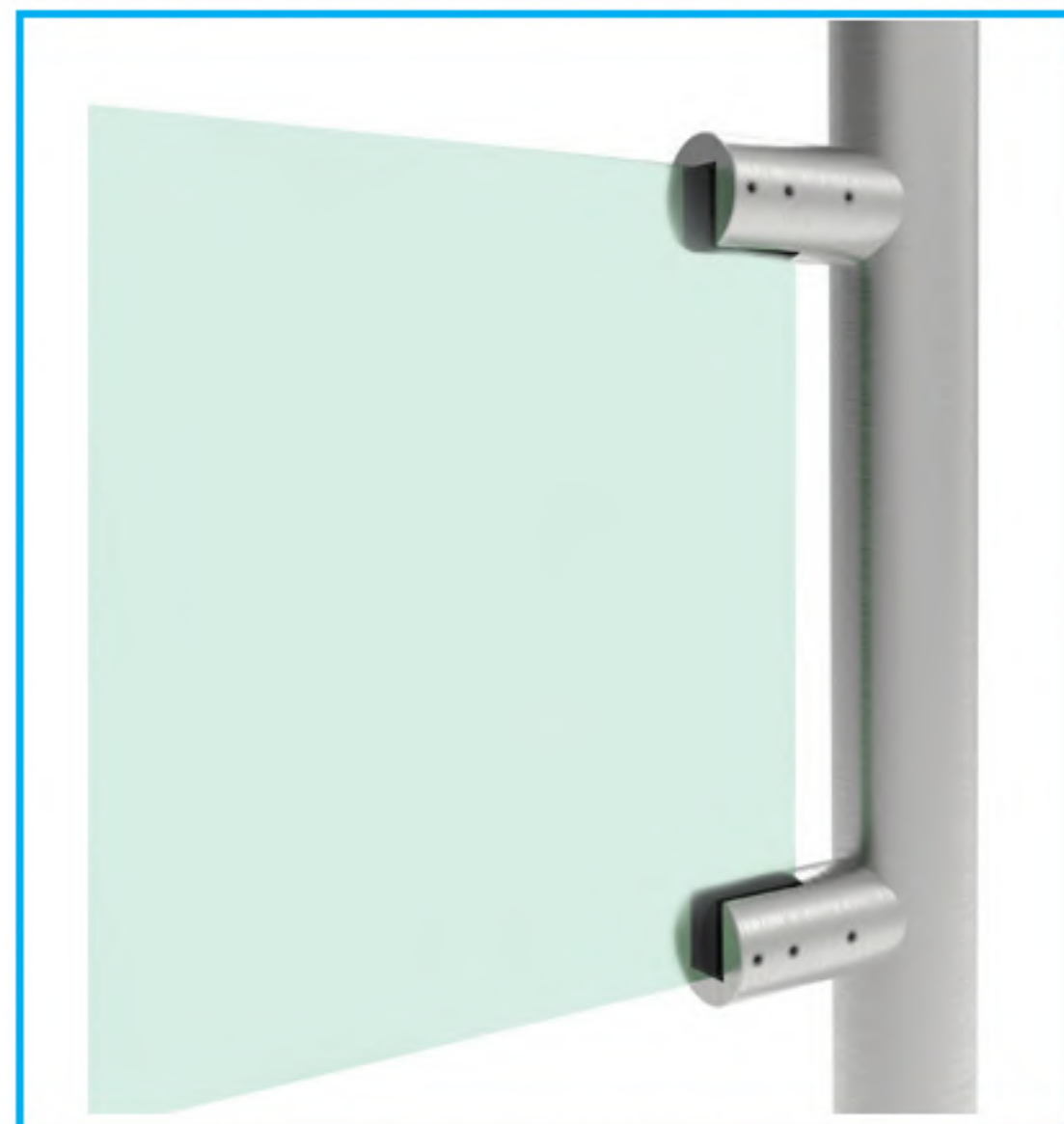


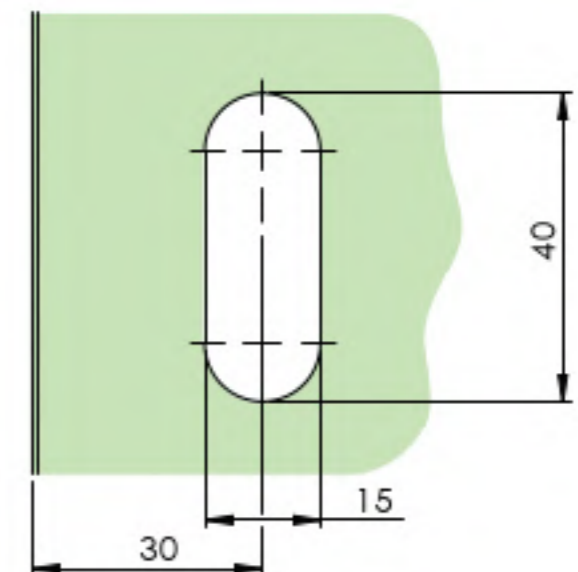
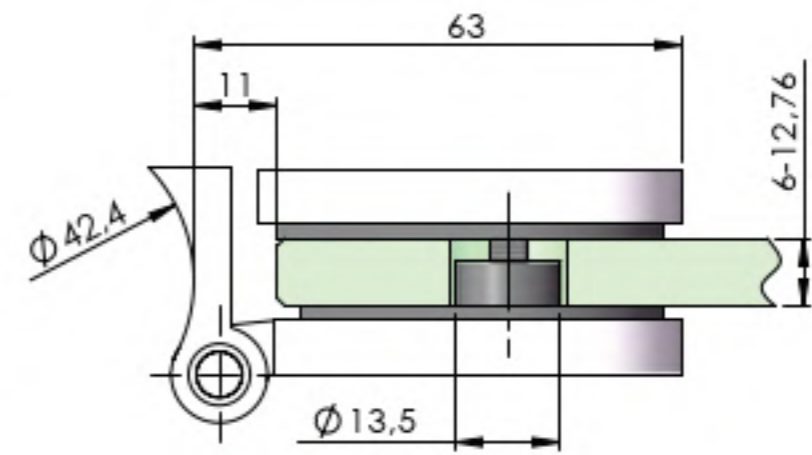
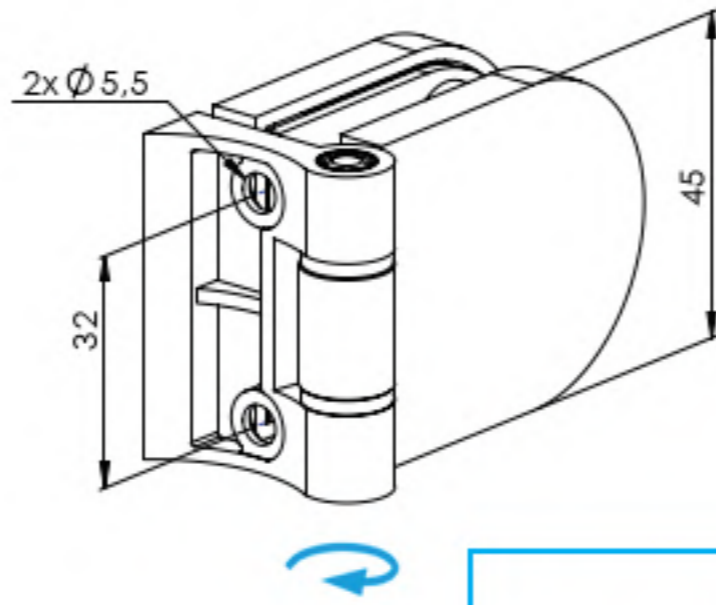
Quality	Finish	∅	art.	glass t	90°	1x	A4-DIN 7991 M8x20
AISI316	satin	flat	A14/0783-000	8 - 12,76	✓	1x	
		42,4	A14/0783-042				



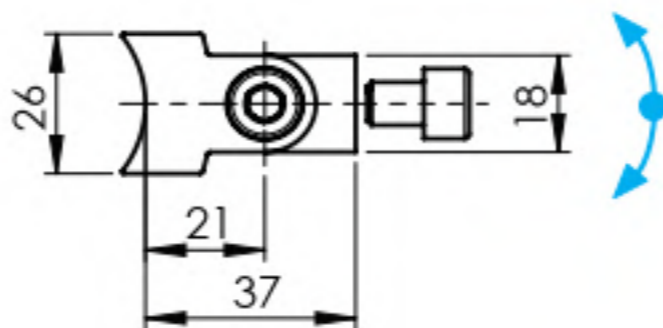
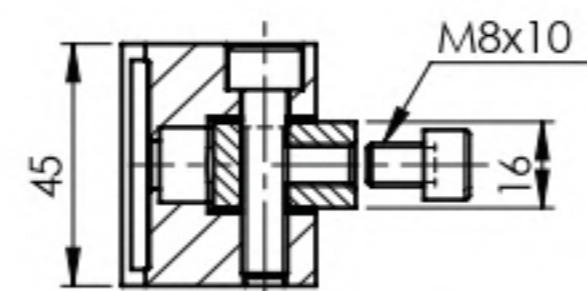
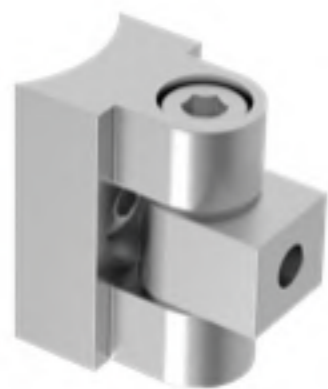
Quality	Finish	∅	art.	glass t	90°	1x	A4-DIN 7991 M8x20
AISI316	satin	flat	A14/0782-000	8 - 12,76	✓	1x	
		42,4	A14/0782-042				

glass t					
8	8,76	10	10,76	12	12,76
A19/07-009		A19/07-011		A19/07-013	



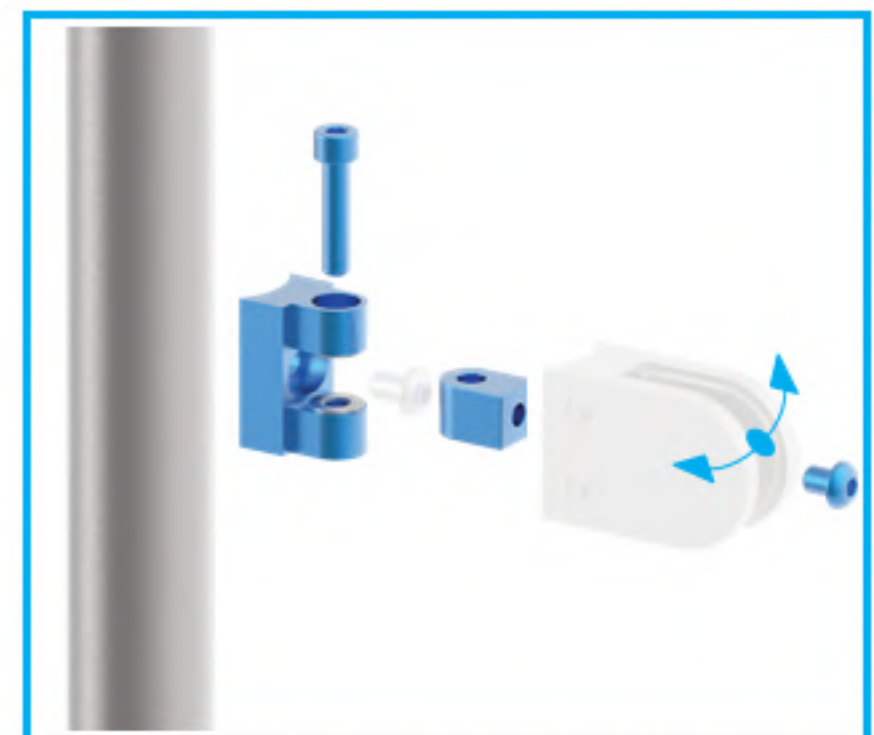
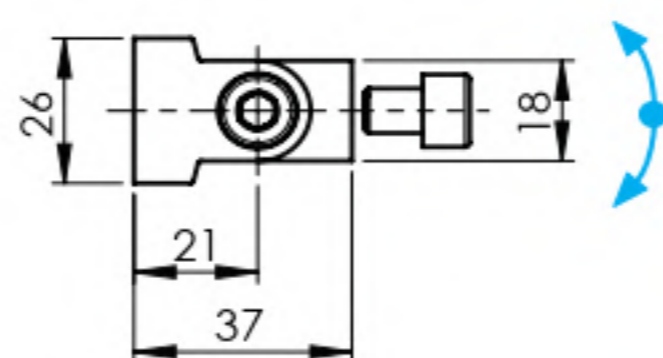
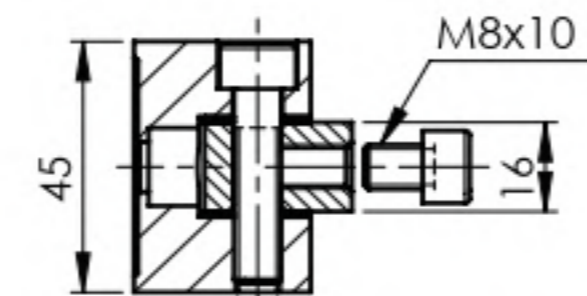


Quality	Finish	art.		
AISI316	satin	A14/1100-042	1x	2x A4-DIN 7991 M5x16 optional



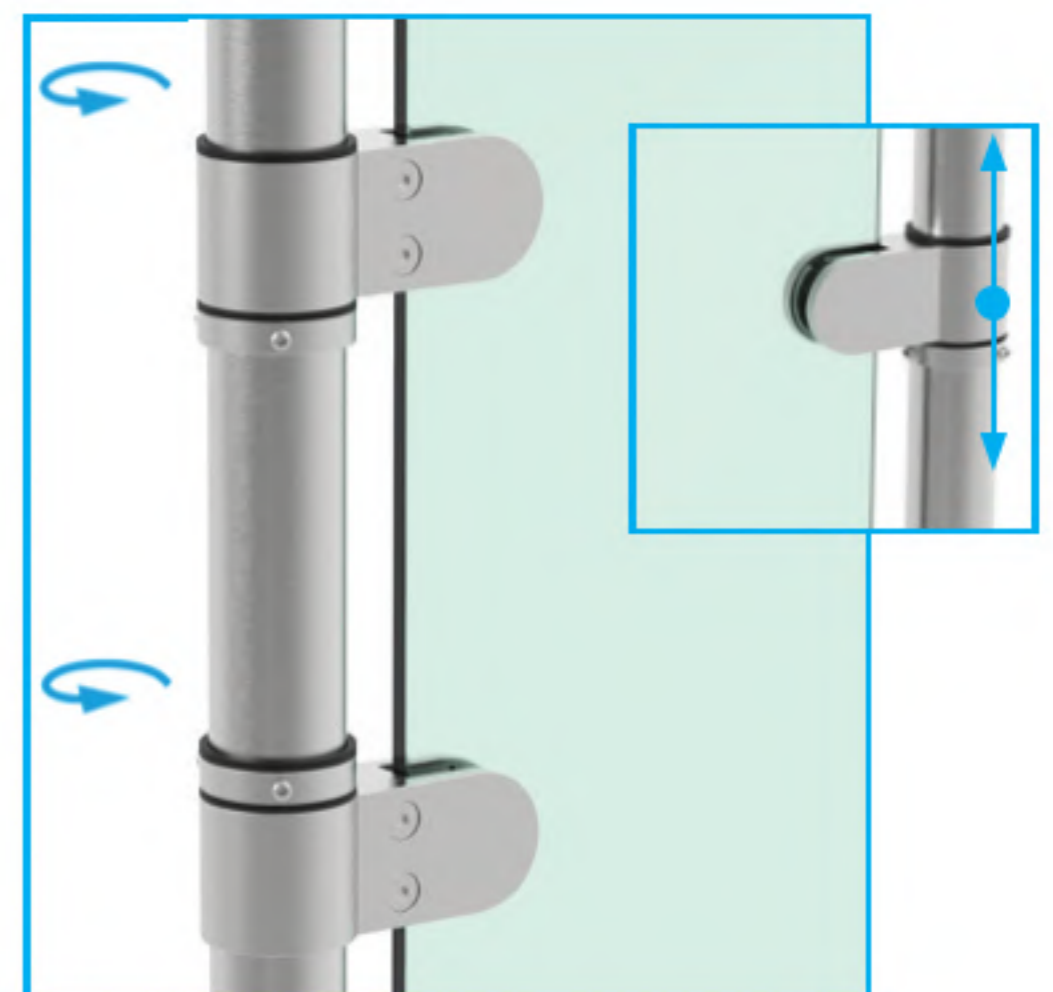
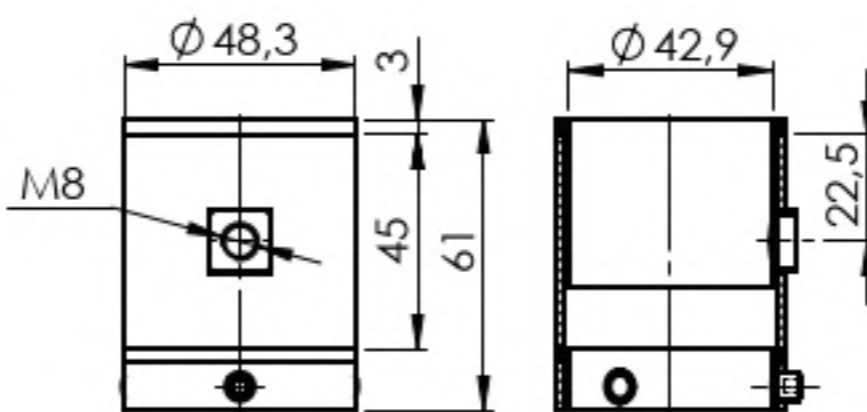
Quality	Finish	art.
AISI316	satin	A14/1101-042

new



Quality	Finish	art.
AISI316	satin	A14/1101-000

new











Quality	Finish	art.		
AISI304	satin	A/1200-042	1x	A-DIN 912-A2 M8x20 optional



PLATE HOLDERS








	plate t			
	1,5	2	3	
	A19/20-0015	A19/20-002	A19/20-003	
				MODEL 20

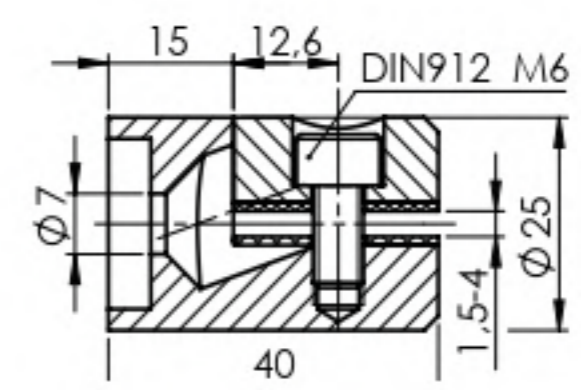
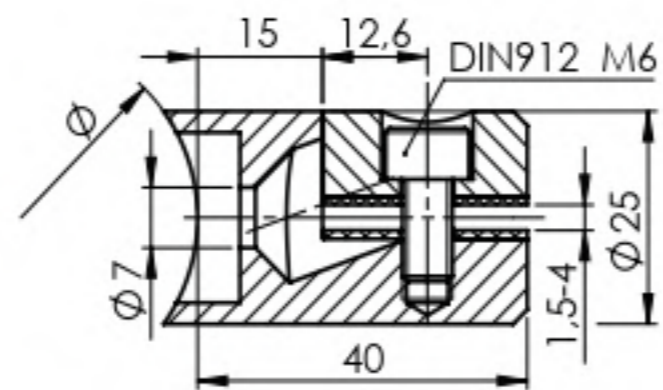
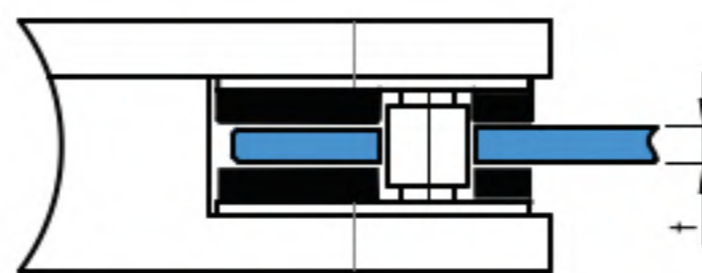
	plate t			
	1,5	2	3	
	A19/20-0015	A19/20-002	A19/20-003	
				MODEL 200P

	plate t			
	1,5	2	3	
	A19/21-0015	A19/21-002	A19/21-003	
				MODEL 21

	plate t			
	1,5	2	3	
	A19/22-0015	A19/22-002	A19/22-003	
				MODEL 22

	plate t						
	1,5	2	3	4	5		
	A19/23-P1,5/K3,5	A19/23-P02/K04	A19/23-P03/K05	A19/23-P04/K06	A19/23-P05/K07		
						MODEL 23	MODEL 230P

	plate t					
	3,5	4	5	6	7	
	A19/23-P1,5/K3,5	A19/23-P02/K04	A19/23-P03/K05	A19/23-P04/K06	A19/23-P05/K07	
						MODEL 23KP

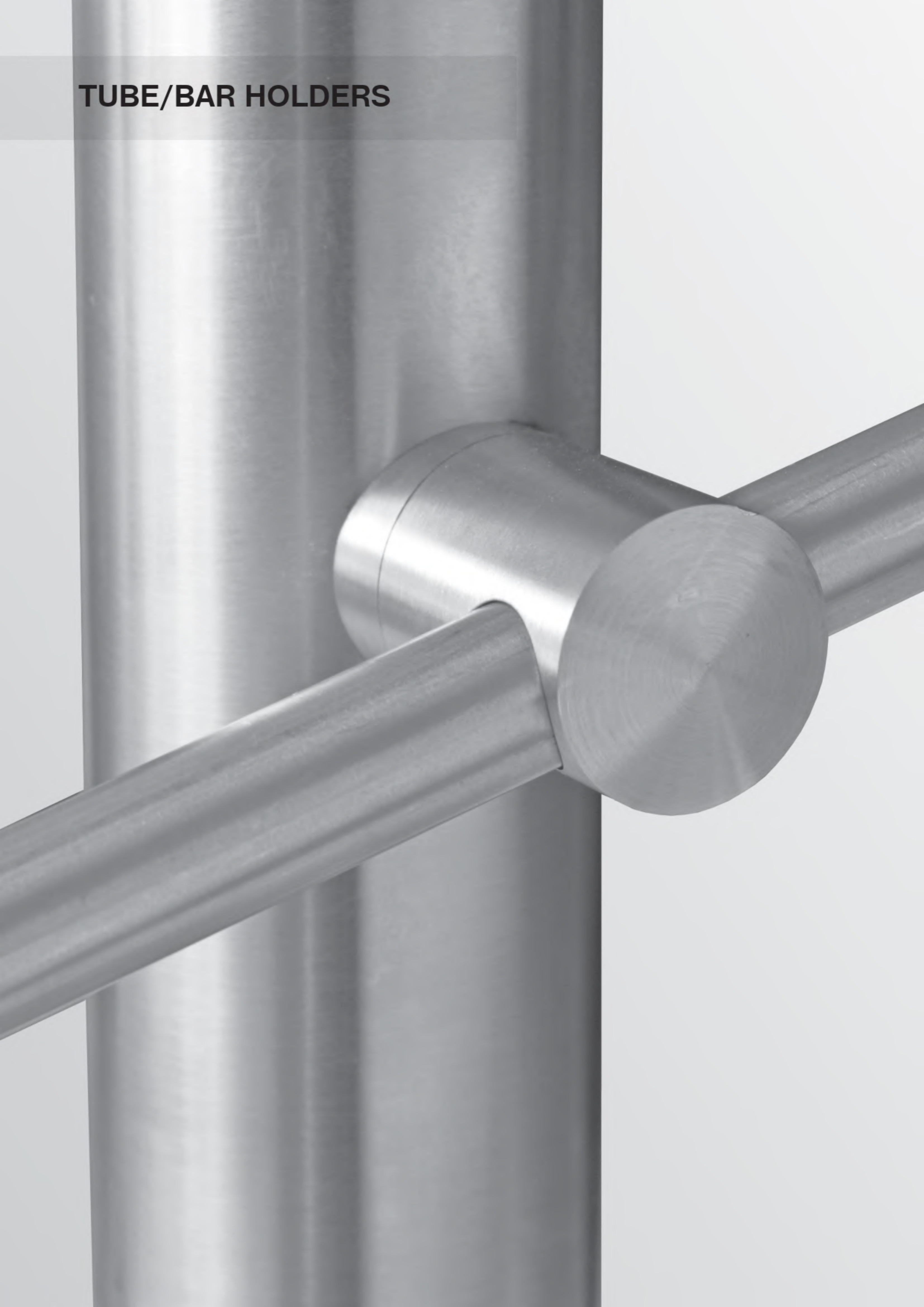


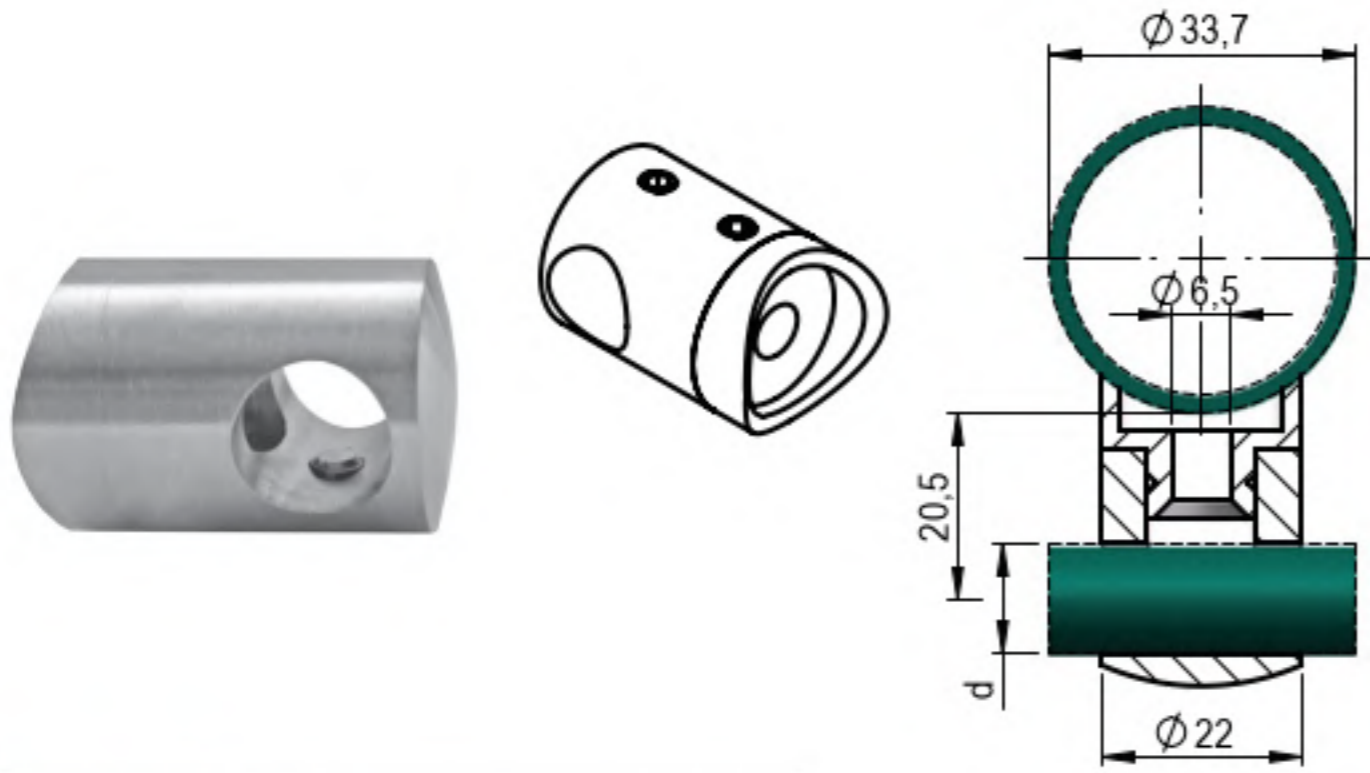
Quality	Finish	Ø	art.	plate t
AISI304	satin	33,7	A/0743-033	1,5-4,0
		42,4	A/0743-042	
		48,3	A/0743-048	
AISI316		42,4	A14/0743-042	

Quality	Finish	art.	plate t
AISI304	satin	A/0743-000	1,5-4,0
AISI316		A14/0743-000	

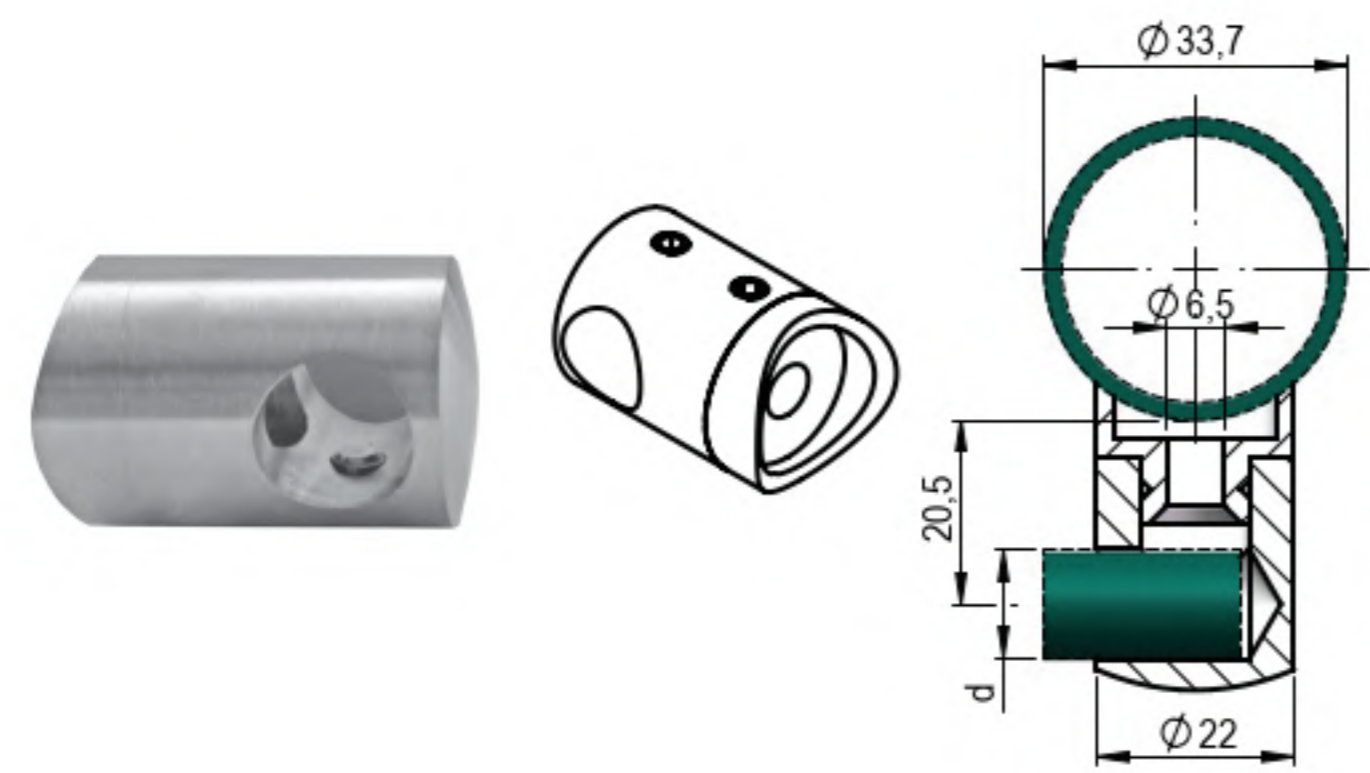
top

TUBE/BAR HOLDERS

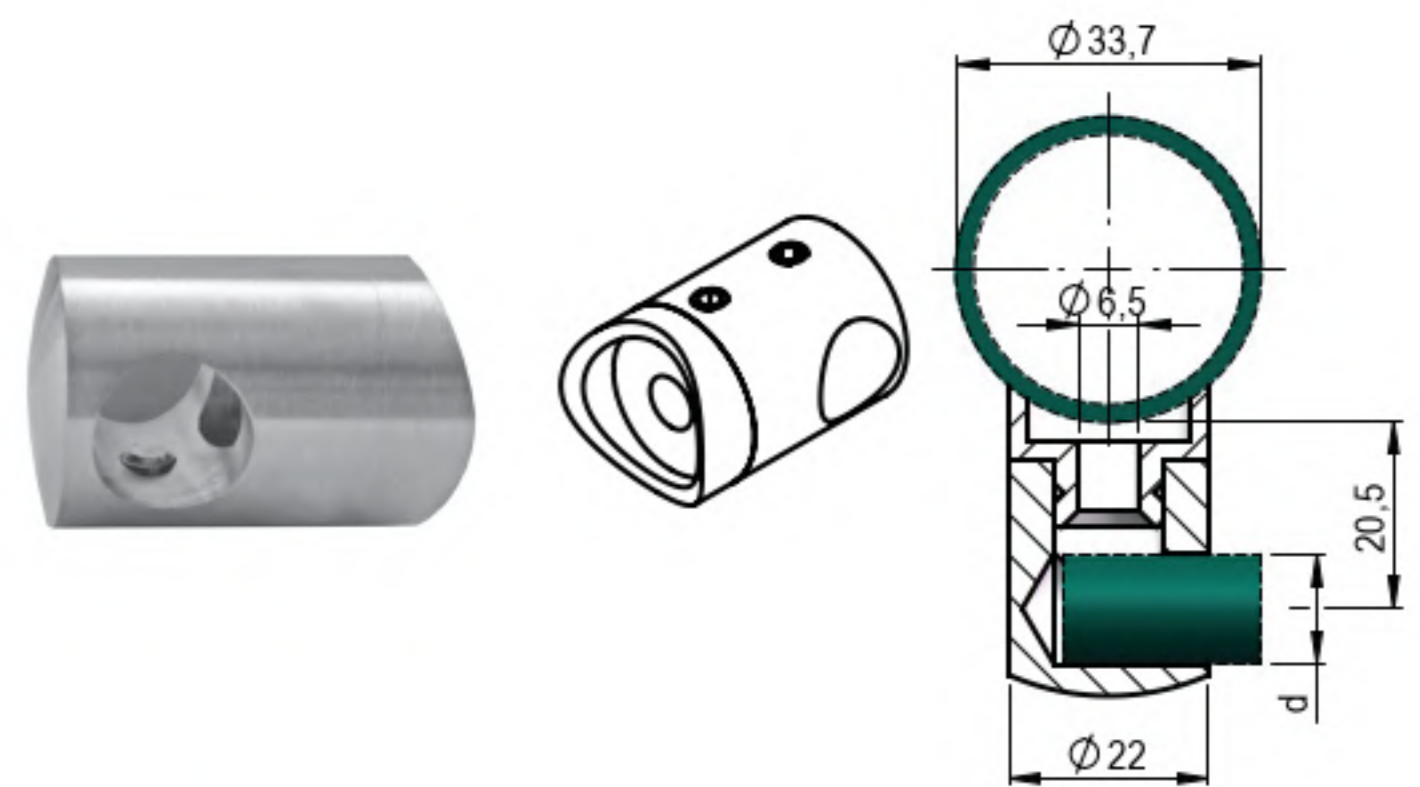




Quality	Finish	art.	d
AISI304	satin	A/0825-033	10
		A/0830-033	12



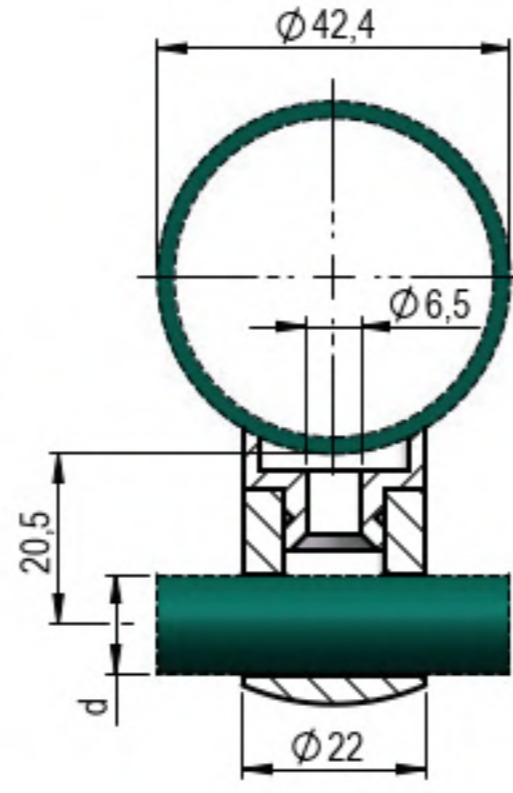
Quality	Finish	art.	d
AISI304	satin	A/0822-033	10
		A/0832-033	12



Quality	Finish	art.	d
AISI304	satin	A/0823-033	10
		A/0833-033	12



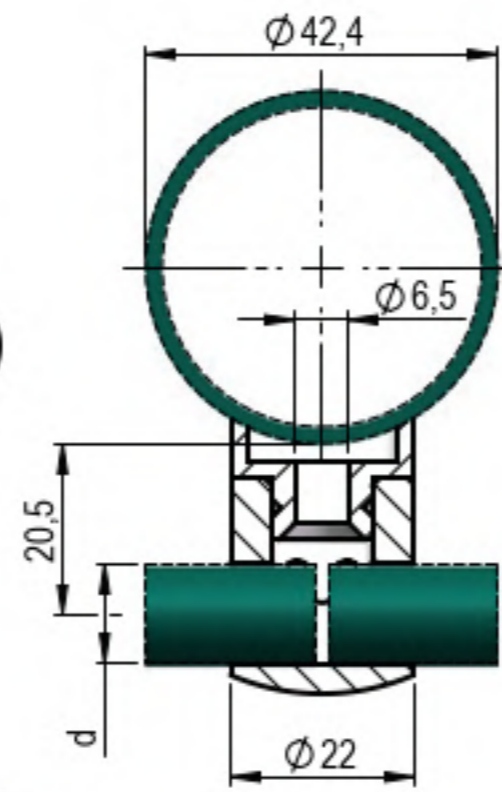
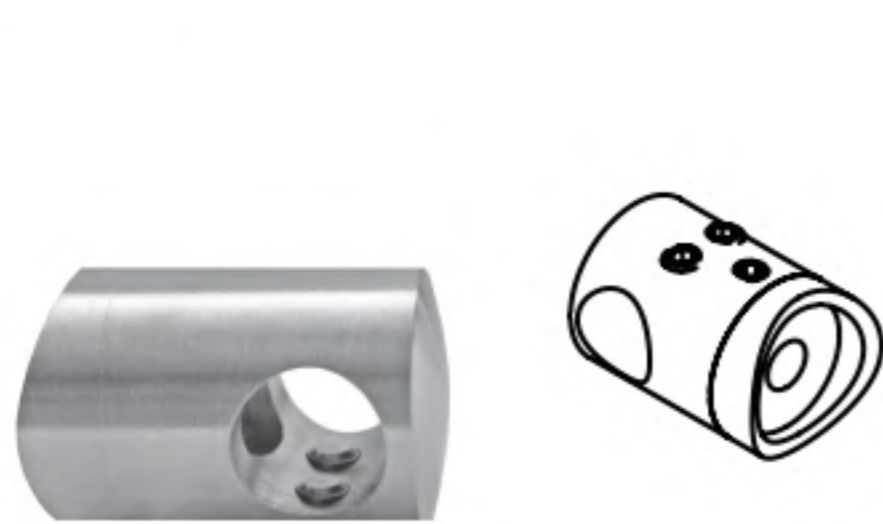
SYSTEM D42,4



2
INFILL HOLDERS

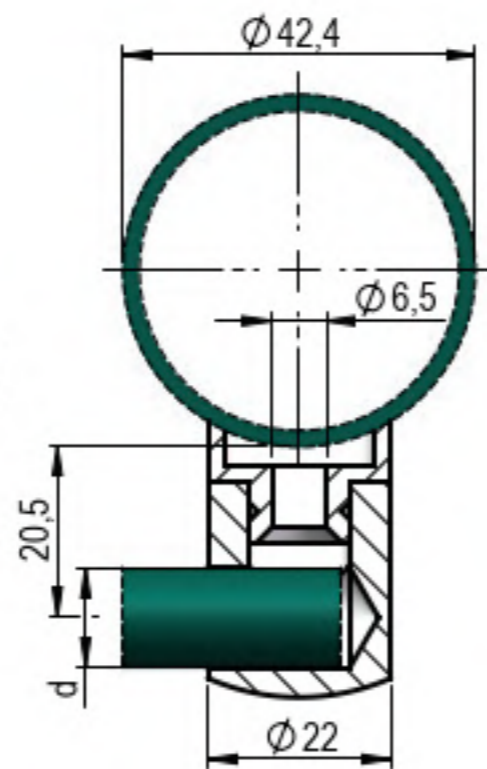
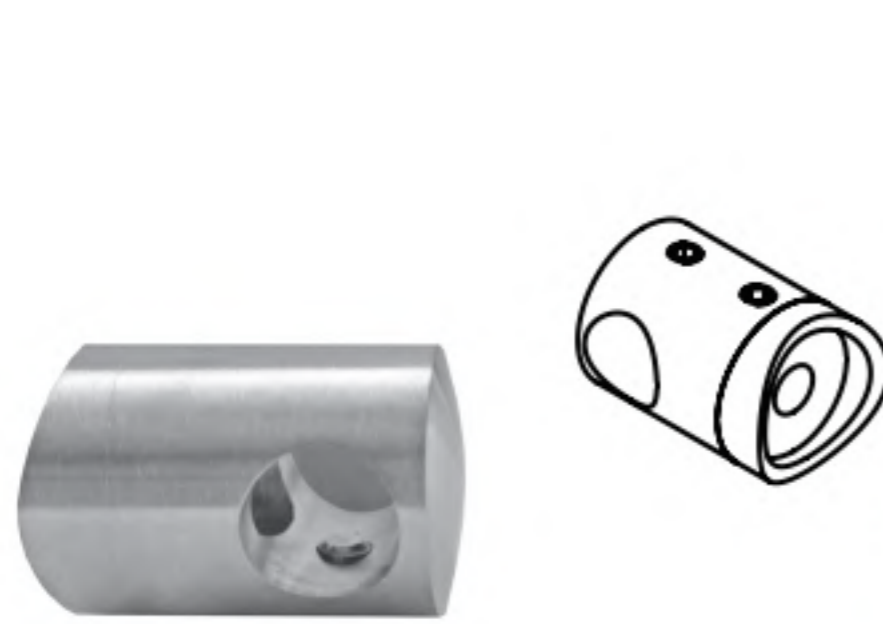
Quality	Finish	art.	d	A/0830-042	A-DIN 7991-A2 M5x20
AISI304	satin	A/0825-042	10		
		A/0830-042			
	PVD Black	A-PVD/0830-042			
	satin	A/0830-042-SET4	12	4	4
		A/0830-042-SET5		5	5
		A/0830-042-SCREW			
	A/0835-042	14			
polish	A/0825-042-L	10			
	A/0830-042-L	12			
	A/0835-042-L	14			
AISI316	satin	A14/0830-042	12		
	polish	A14/0830-042-L			

top new



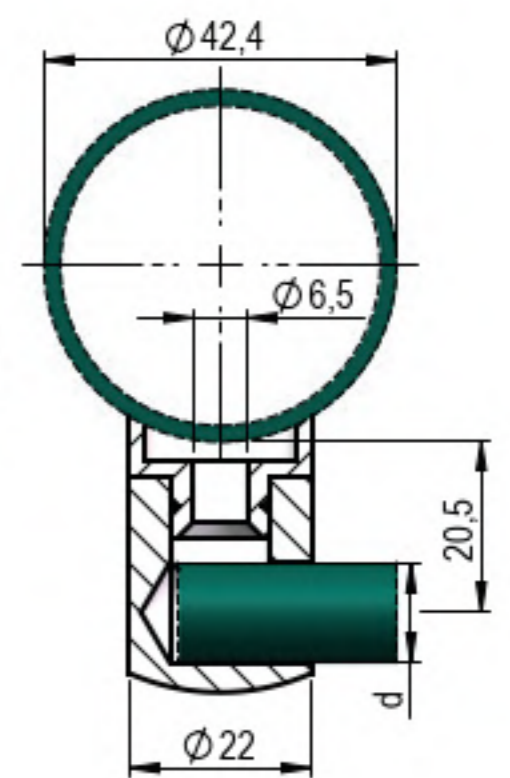
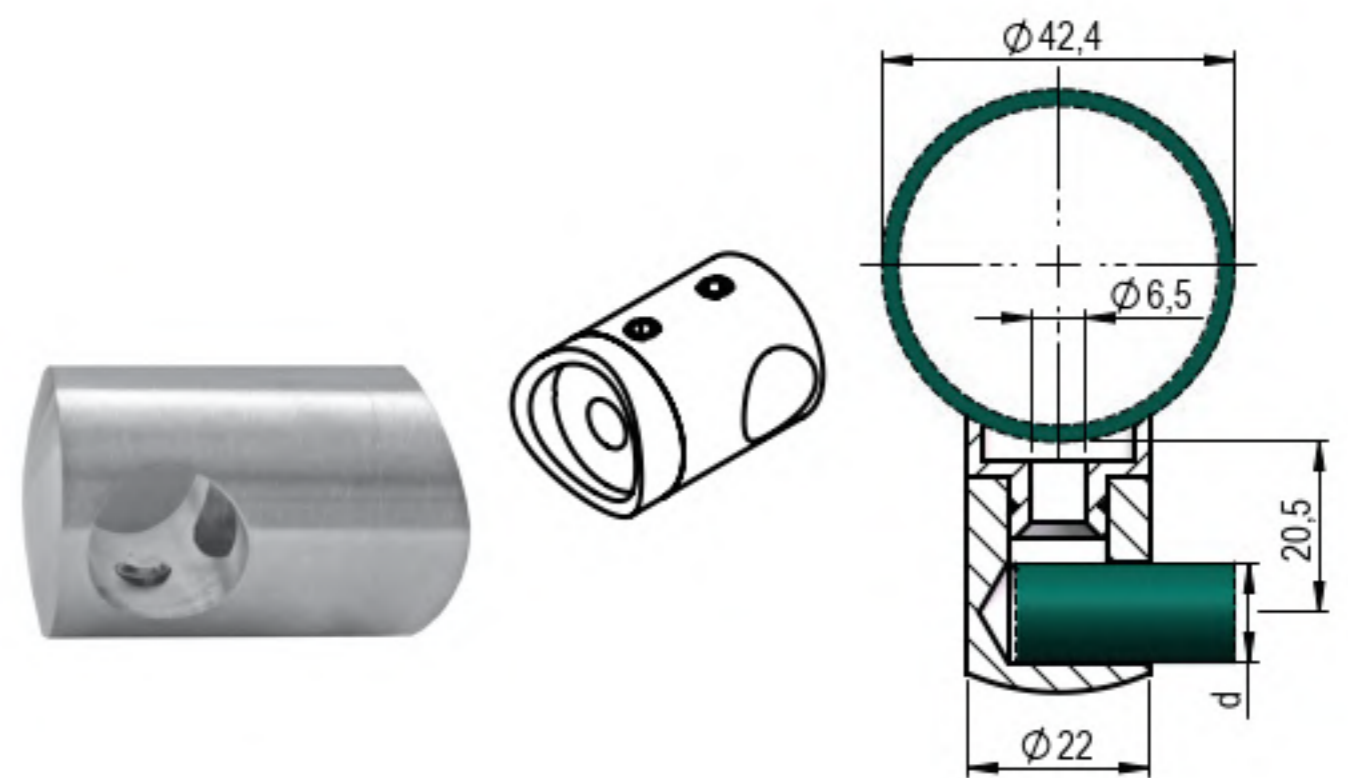
Quality	Finish	art.	d
AISI304	satin	A/0831-042	12
	polish	A/0831-042-L	
AISI316	satin	A14/0826-042	10
		A14/0831-042	12

top



Quality	Finish	art.	d
AISI304	satin	A/0822-042	10
		A/0832-042	
	polish	A/0832-042-L	12
AISI316	satin	A14/0832-042	

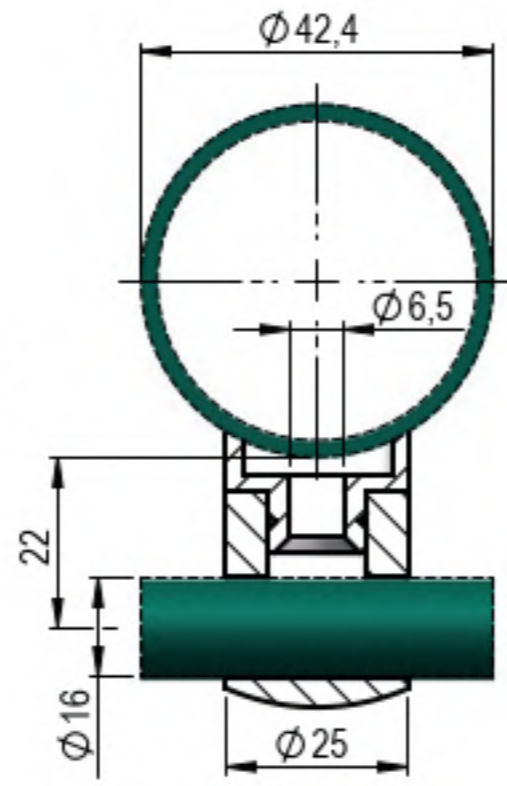
top



Quality	Finish	art.	d
AISI304	satin	A/0823-042	10
		A/0833-042	
	polish	A/0833-042-L	12
AISI316	satin	A14/0833-042	

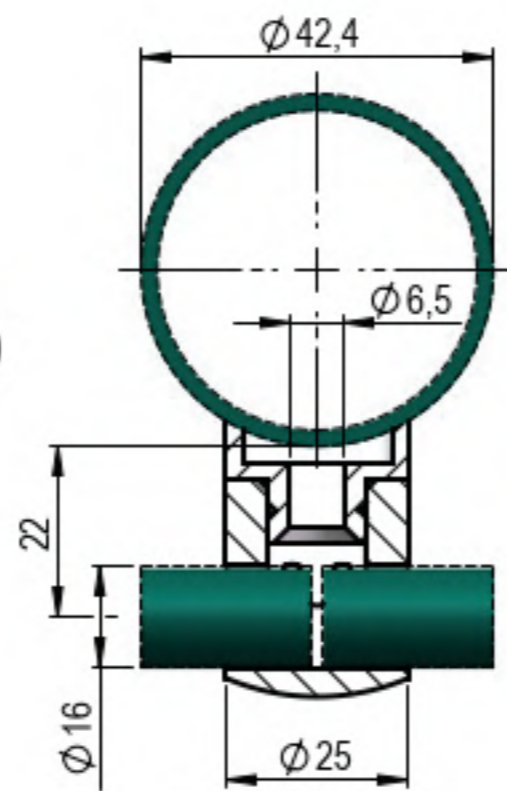
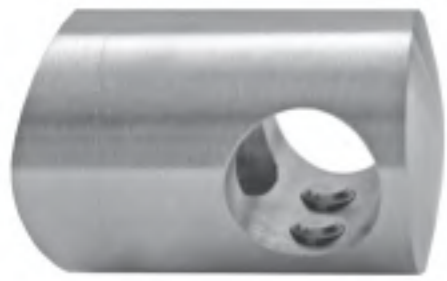
top

SYSTEM D42,4

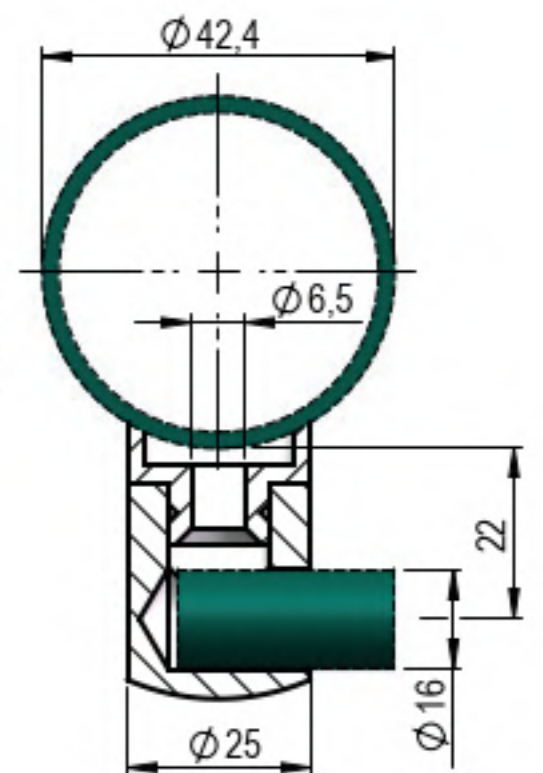
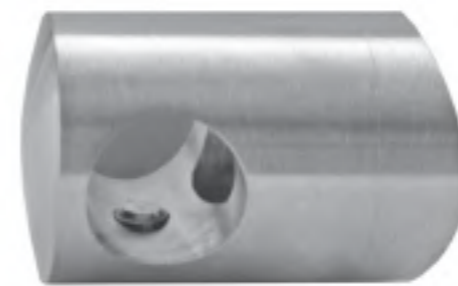
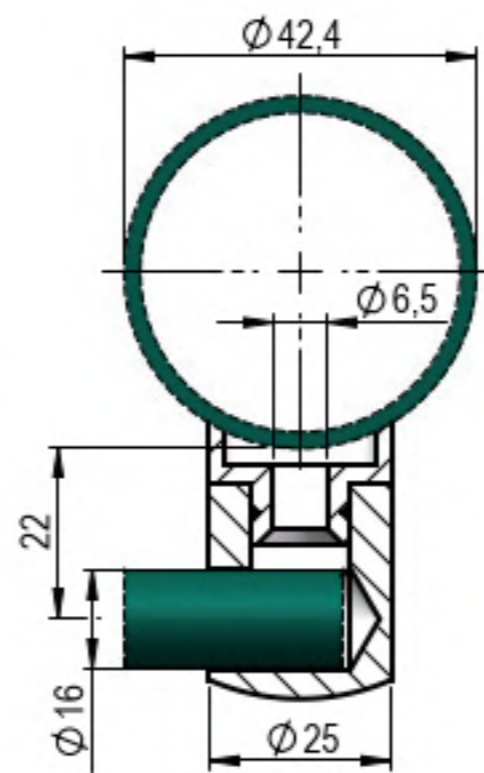
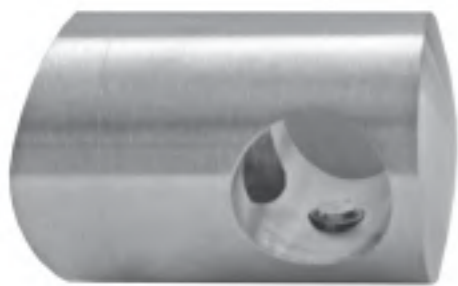


Quality	Finish	art.
AISI304	satin	A/0840-042
AISI316		A14/0840-042
AISI304	polish	A/0840-042-L
AISI316		A14/0840-042-L

new

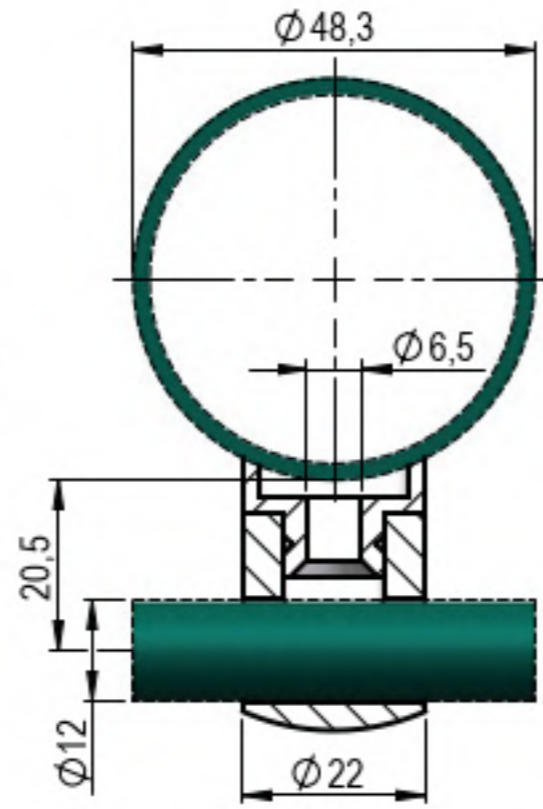
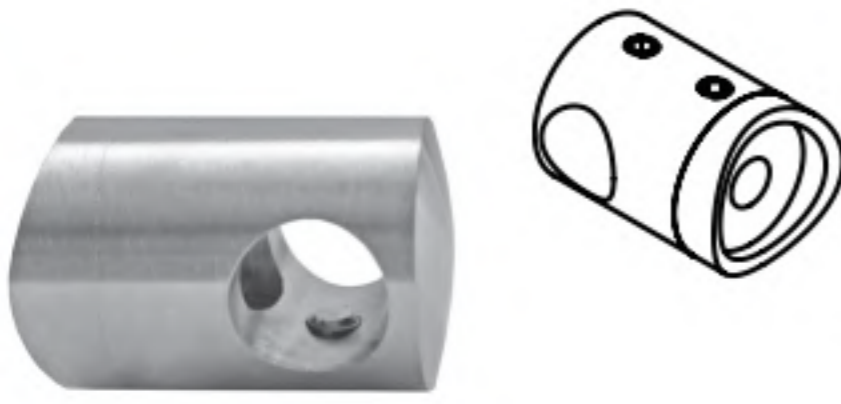


Quality	Finish	art.
AISI316	satin	A14/0841-042

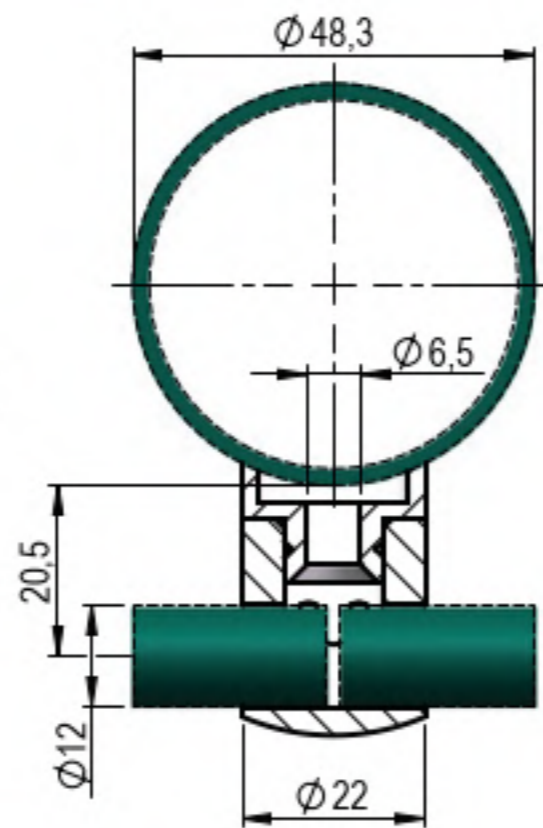


Quality	Finish	art.
AISI304	satin	A/0842-042

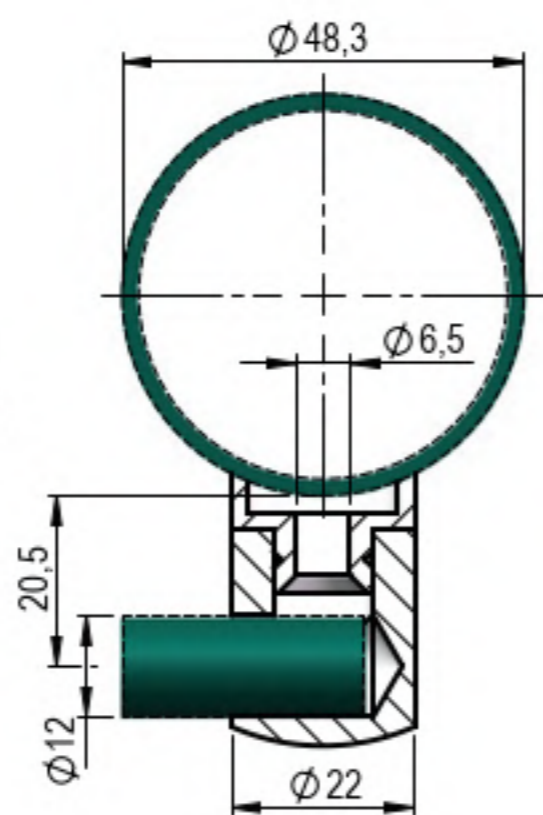
Quality	Finish	art.
AISI304	satin	A/0843-042



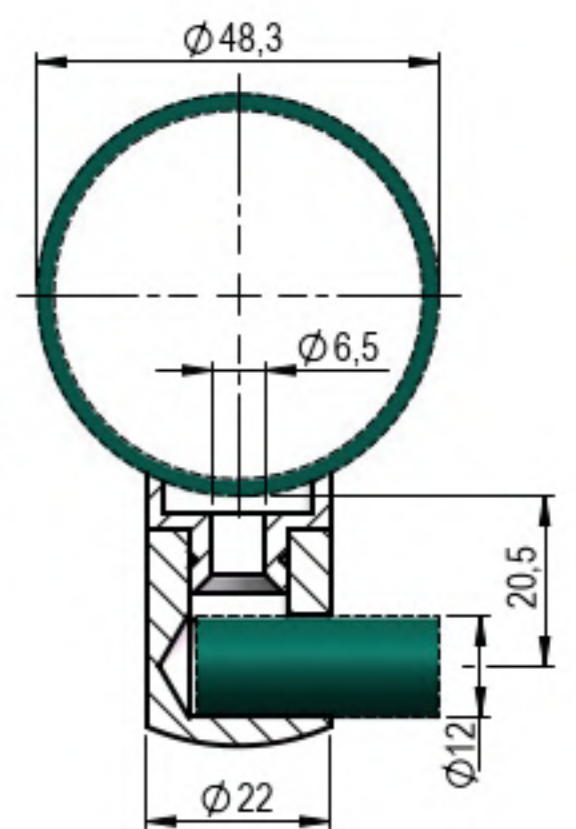
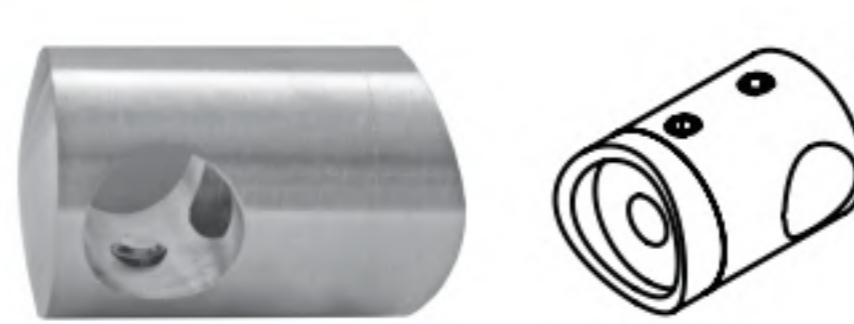
Quality	Finish	art.
AISI304	satın	A/0830-048



Quality	Finish	art.
AISI316	satın	A14/0831-048

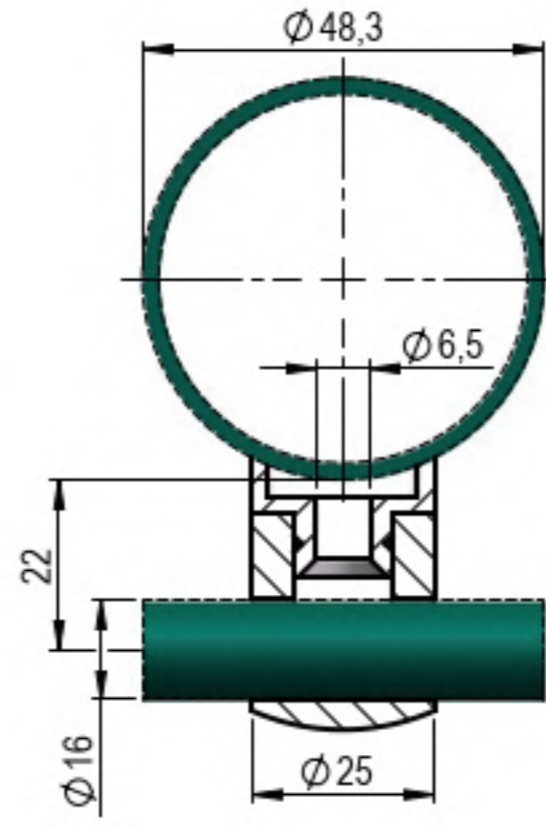
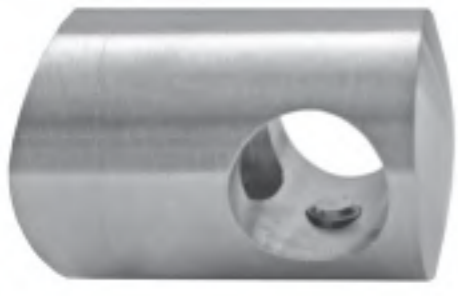


Quality	Finish	art.
AISI316	satın	A14/0832-048



Quality	Finish	art.
AISI316	satın	A14/0833-048

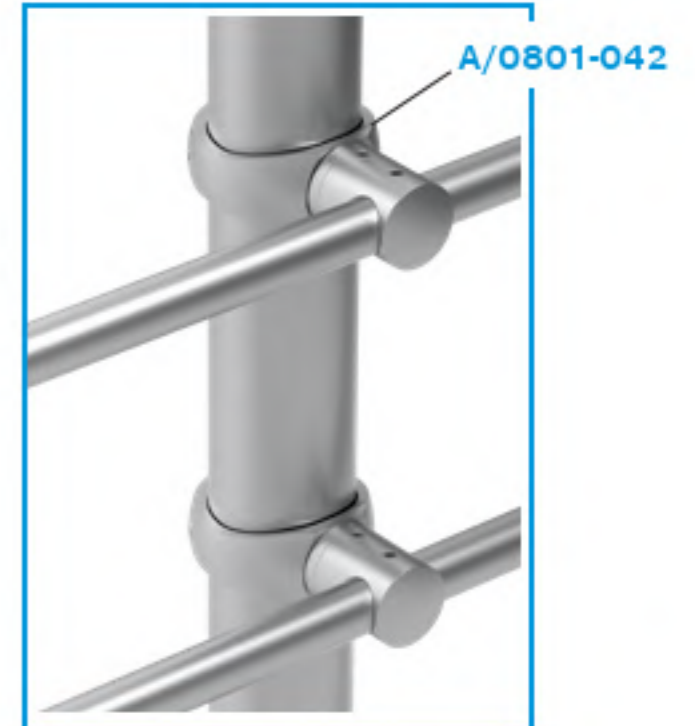
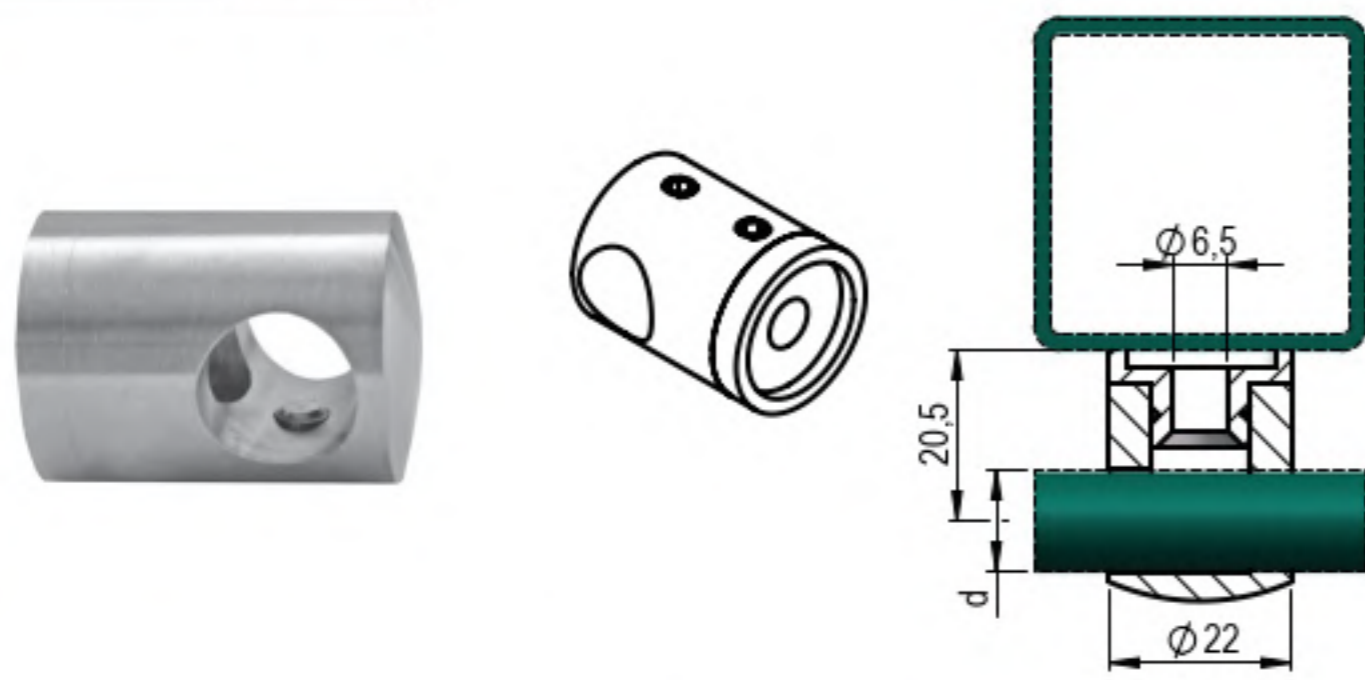
SYSTEM D48,3



Quality	Finish	art.
AISI304	satın	A/0840-048

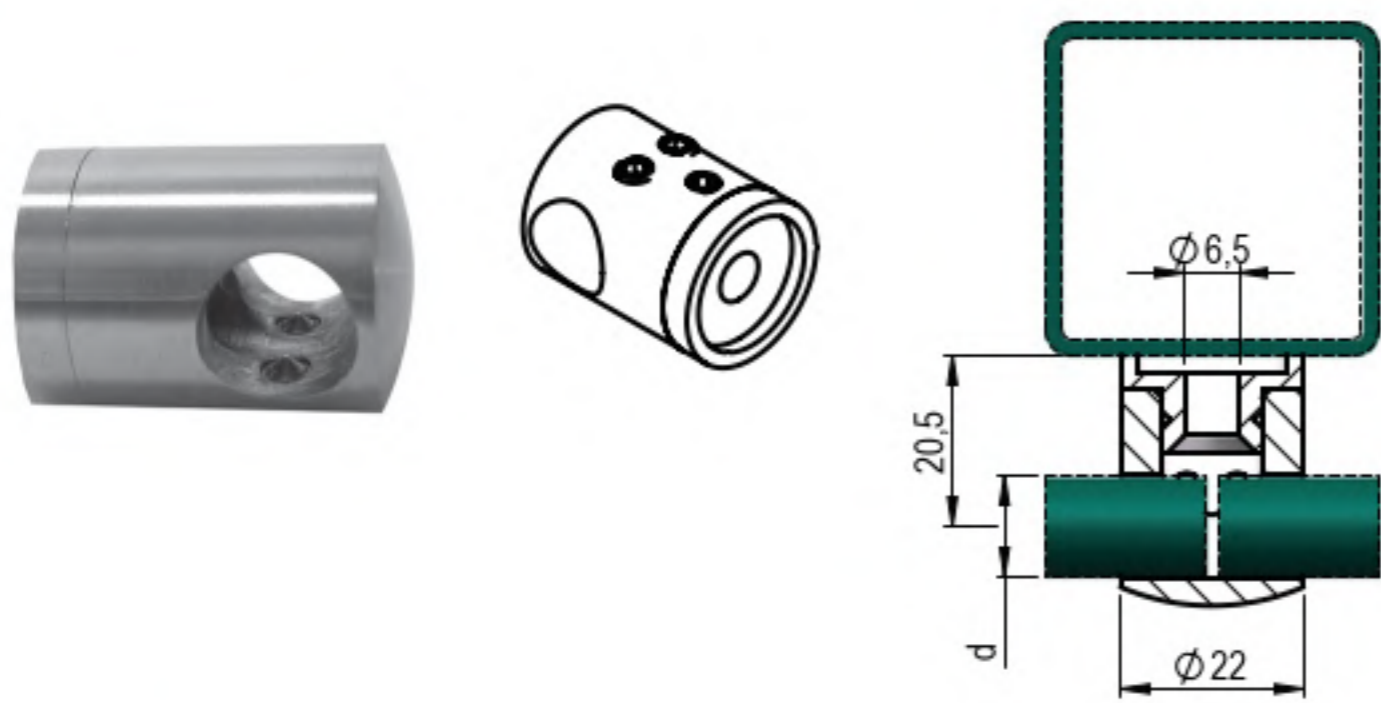
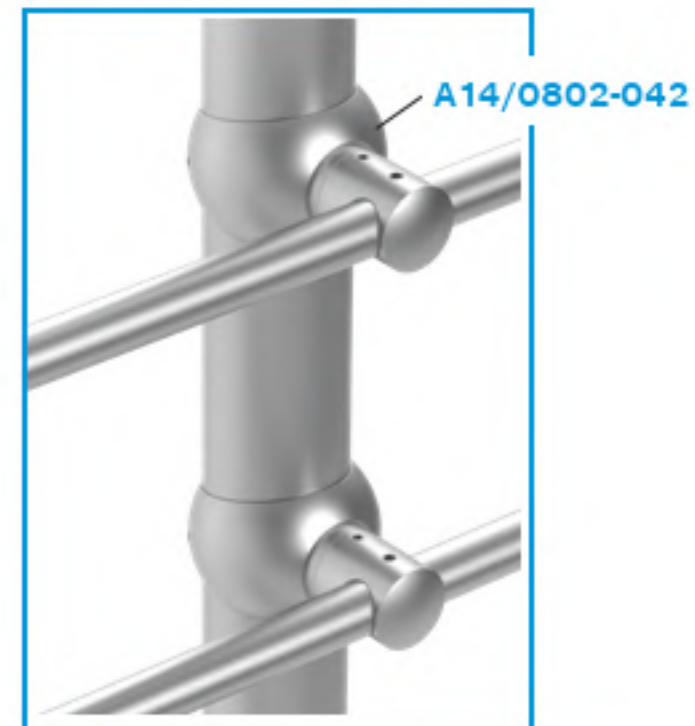
SYSTEM FLAT

2
INFILL HOLDERS

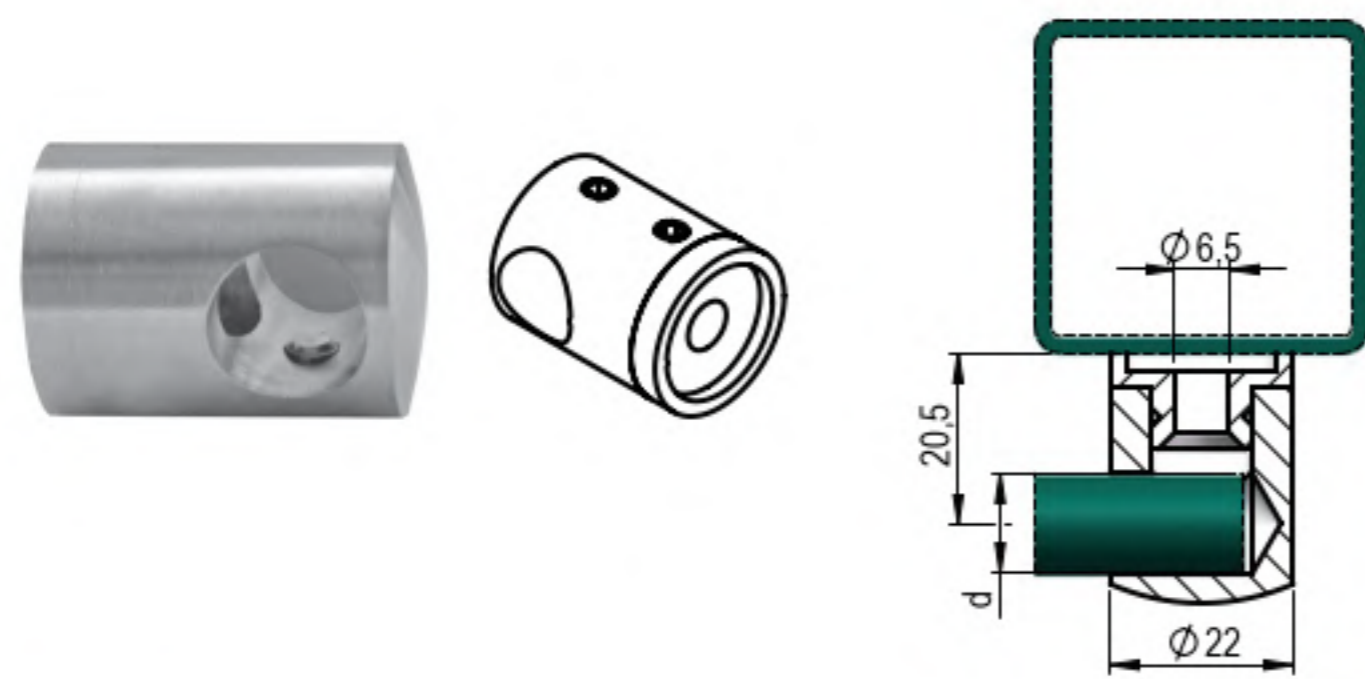


Quality	Finish	art.	d	A-DIN 7991	
				A/0830-000	M6x25 M5x20
AISI304	satin	A/0825-000	10		
		A/0830-000			
		A/0830-000-SET4	12	4	4
		A/0830-000-SET5		5	5
		A/0830-000-SCREW			✓
	polish	A/0835-000	14		
		A/0830-000-L	12		
AISI316	satin	A14/0825-000	10		
		A14/0830-000	12		

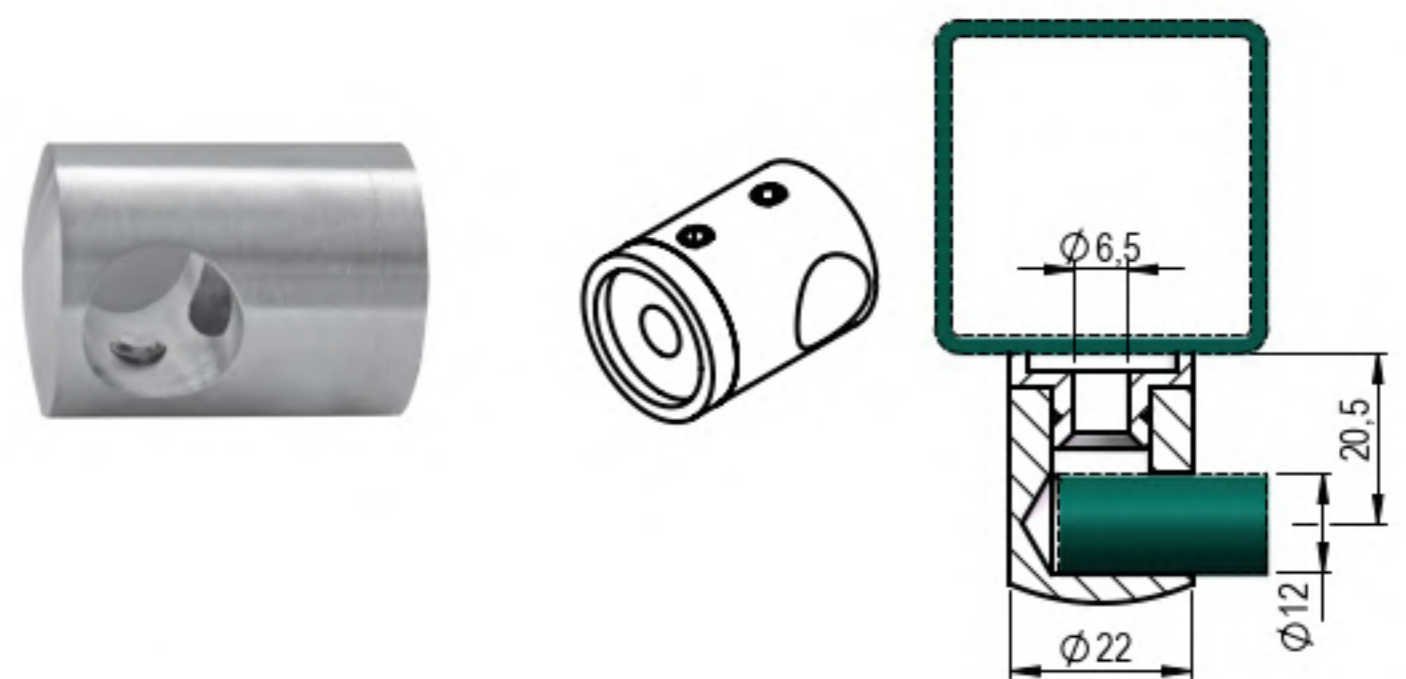
*top
new
new*



Quality	Finish	art.	d
AISI304	satin	A/0831-000	12
AISI316		A14/0826-000	10
		A14/0831-000	12

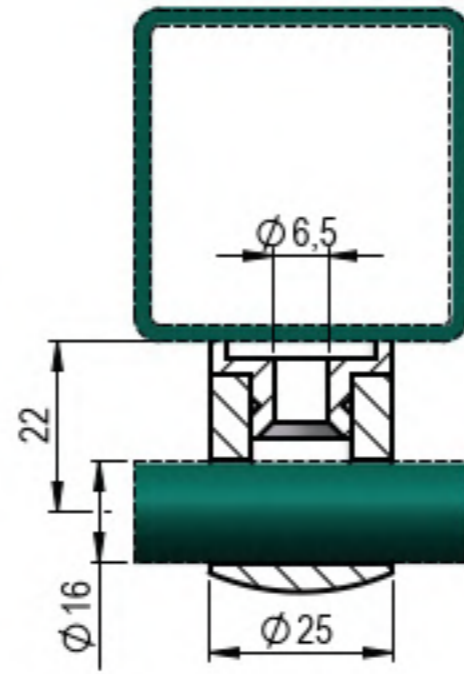
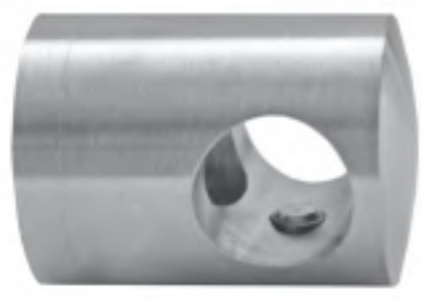


Quality	Finish	art.	d
AISI304	satin	A/0822-000	10
		A/0832-000	12
	polish	A/0832-000-L	12
AISI316	satin	A14/0832-000	12

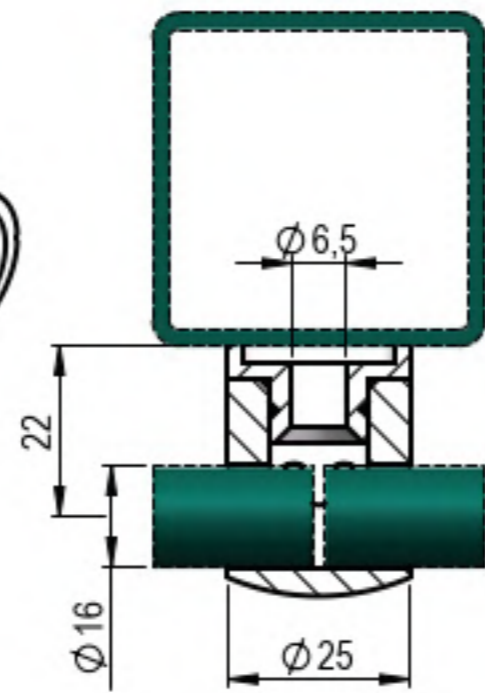


Quality	Finish	art.
AISI304	satin	A/0833-000
AISI316		A14/0833-000

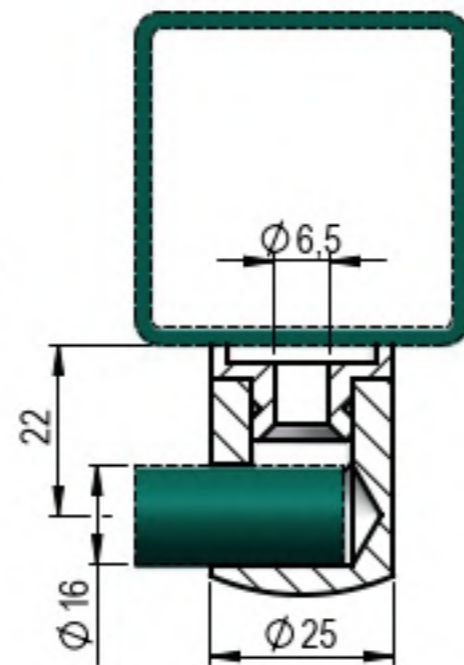
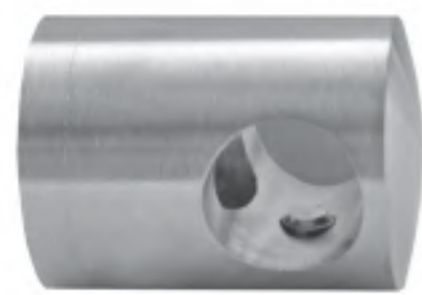
SYSTEM **FLAT**



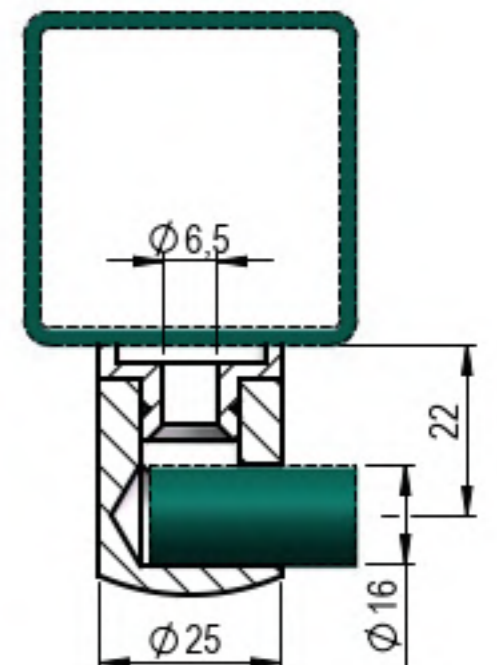
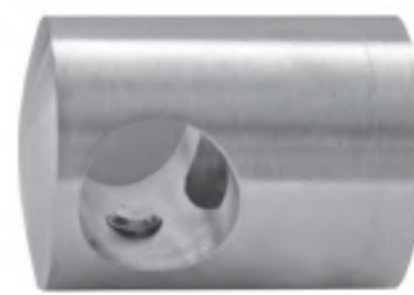
Quality	Finish	art.
AISI304	satin	A/0840-000
	polish	A/0840-000-L



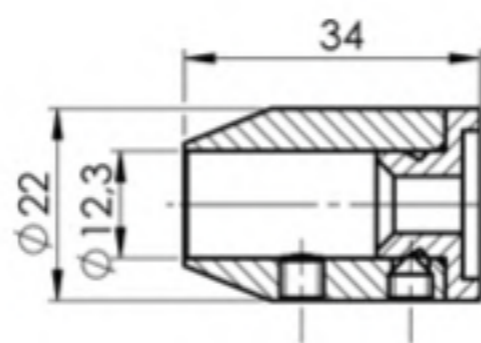
Quality	Finish	art.
AISI316	satin	A14/0841-000



Quality	Finish	art.
AISI304	satin	A/0842-000

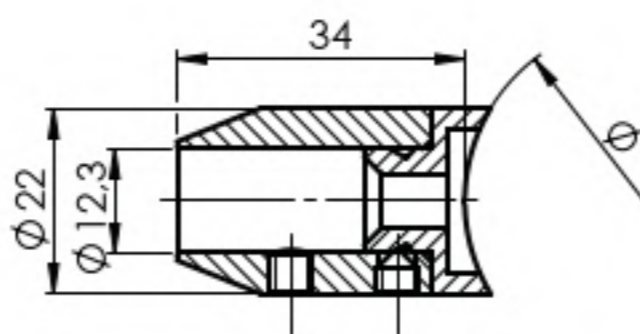


Quality	Finish	art.
AISI304	satin	A/0843-000



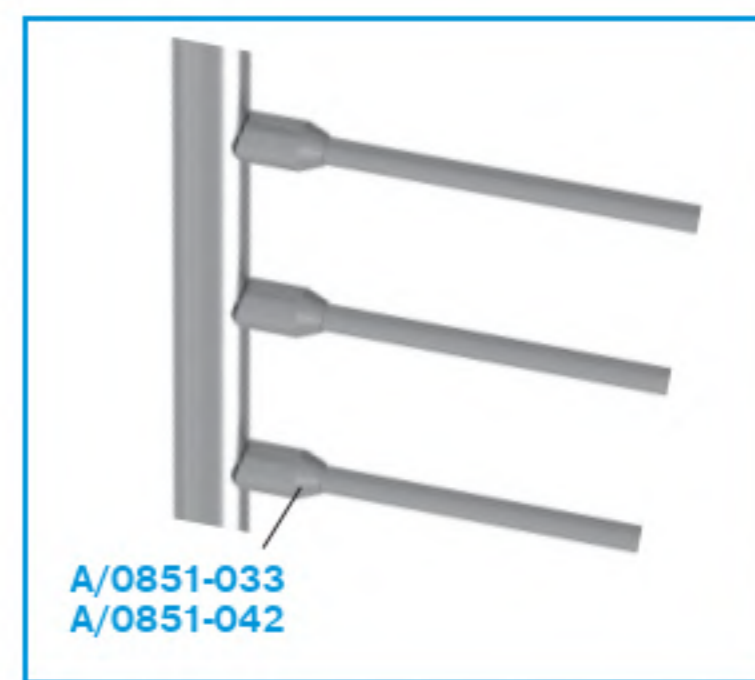
Quality	Finish	art.
AISI304	satin	A/0851-000
AISI316		A14/0851-000

new

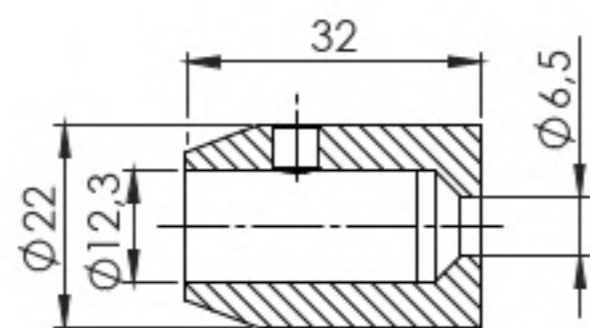


Quality	Finish	Ø	art.
AISI304	satin	33,7	A/0851-033
AISI316		42,4	A14/0851-042

new

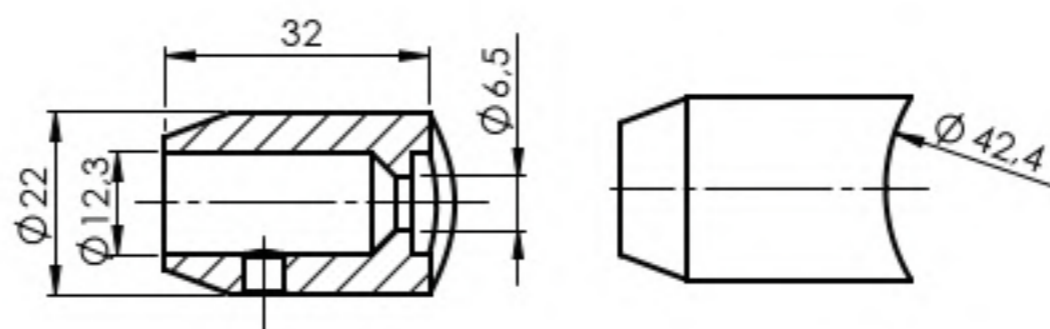


A/0851-033
A/0851-042

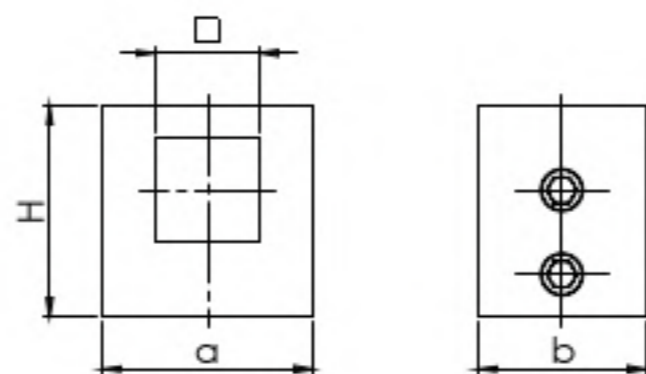


Quality	Finish	art.
AISI304	satin	A/0850-000

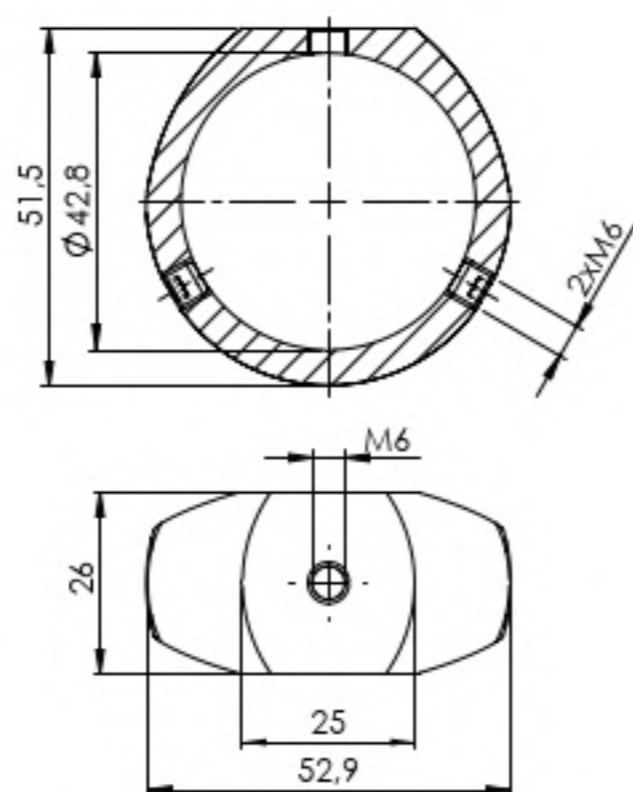
top



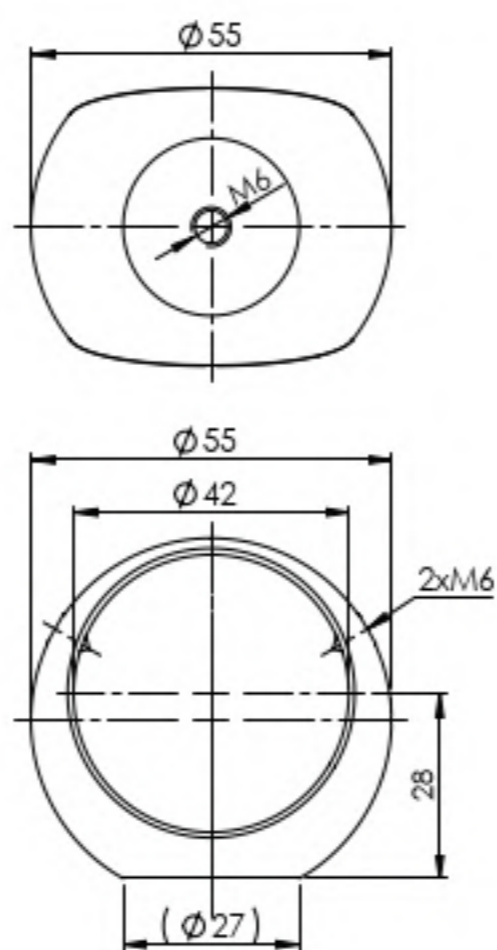
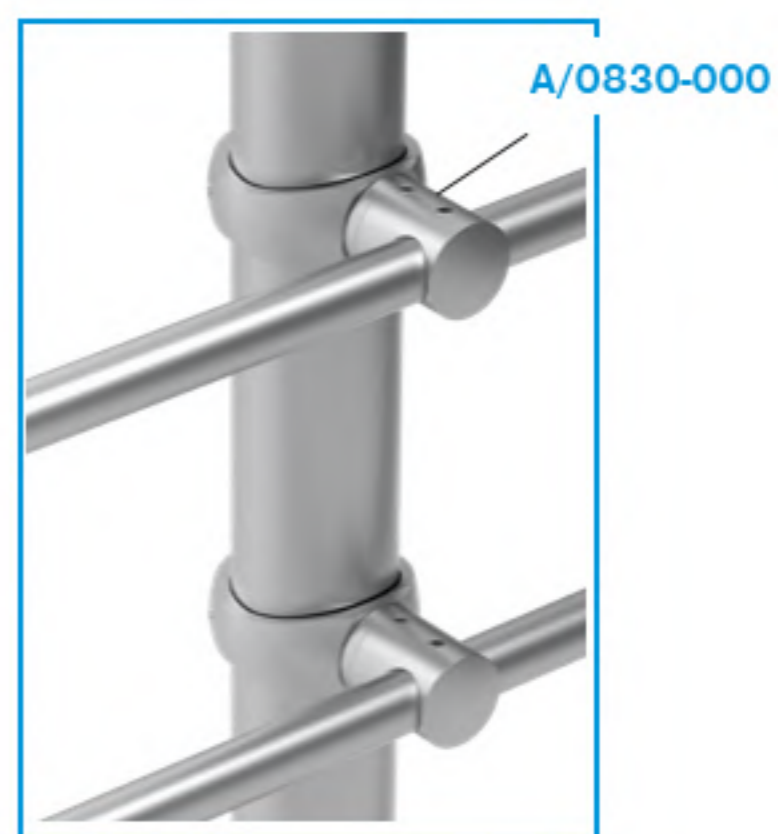
Quality	Finish	art.
AISI304	satin	A/0850-042



Quality	Finish	art.	∅	a x b	H	↺R	↻L	
AISI304	satin	A/4810-000	10x10	20 x 16	20			
		A/4810-000-C	12x10					
		A/4830-000	12x12	23 x 16				
		A/4821-000	15x5					
		A/4822-000	15x5	25 x 25	25			left
		A/4823-000	15x5					right

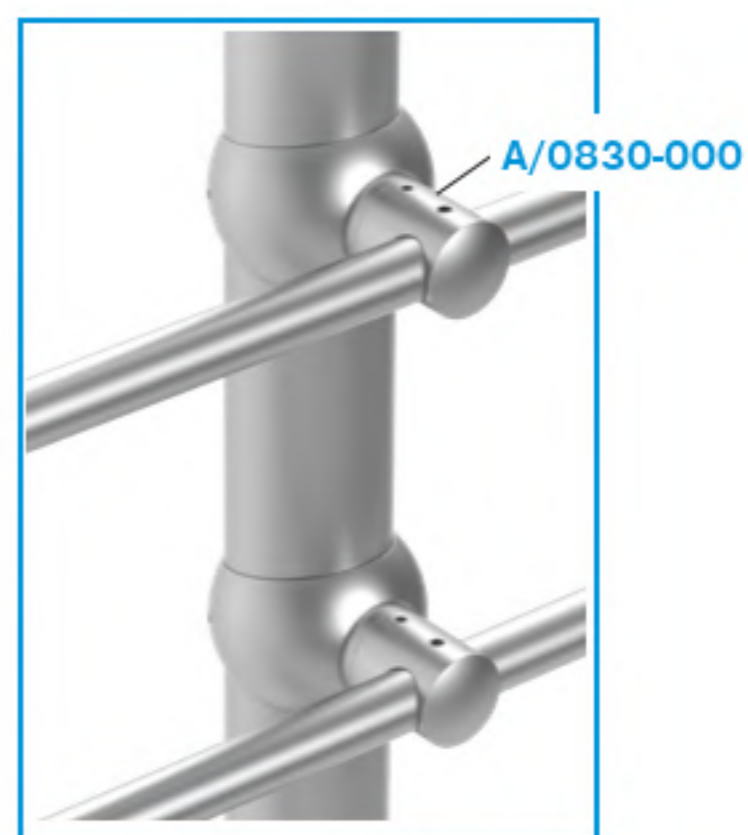


Quality	Finish	art.
AISI304	satin	A/0801-042



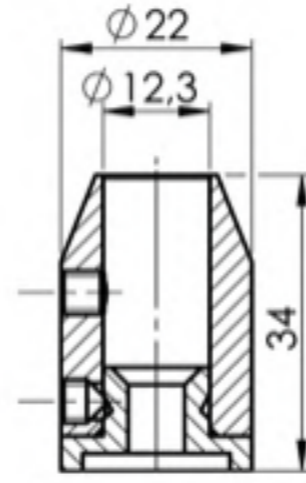
Quality	Finish	art.
AISI316	satin	A14/0802-042

new

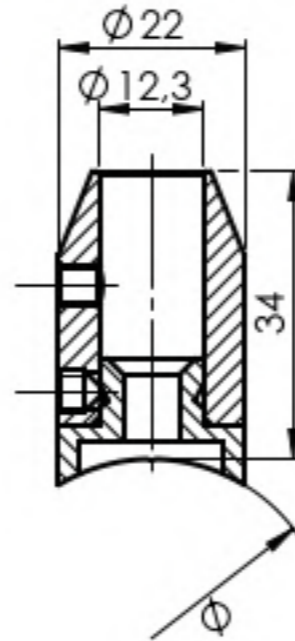


VERTICAL HOLDERS

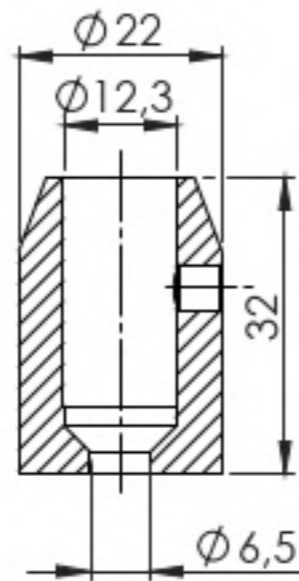




Quality	Finish	art.
AISI304	satın	A/0851-000

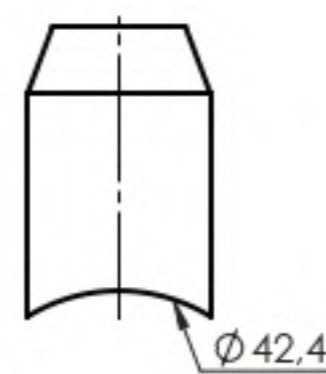
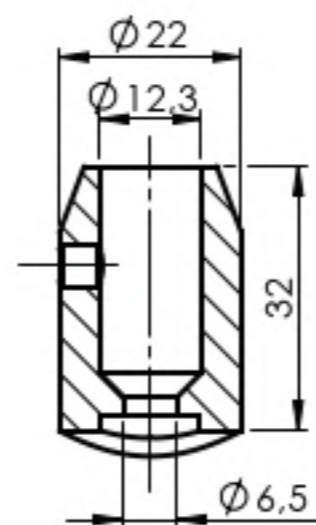


Quality	Finish	Ø	art.
AISI304	satın	33,7	A/0851-033
		42,4	A/0851-042



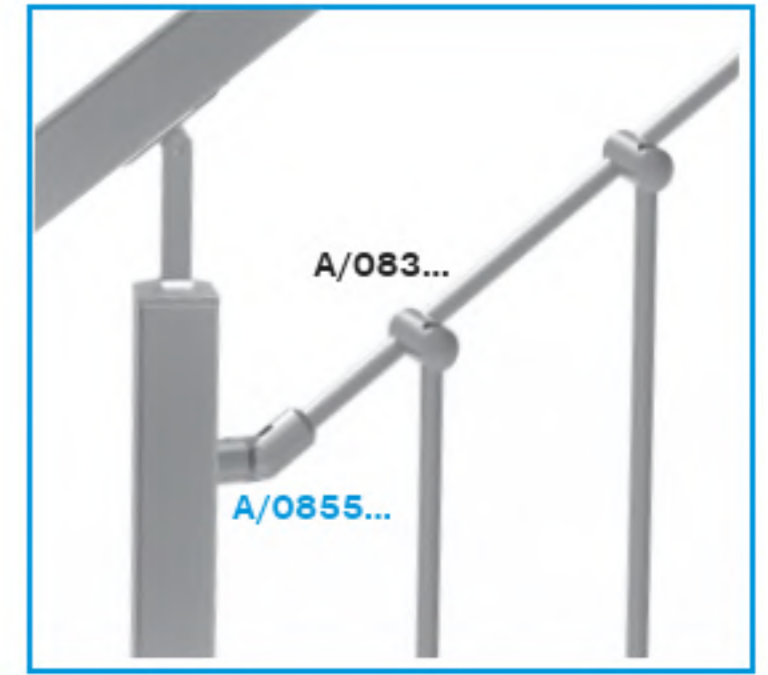
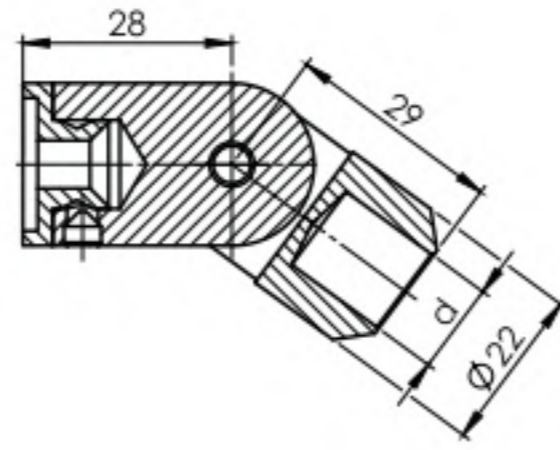
Quality	Finish	art.
AISI304	satın	A/0850-000

top

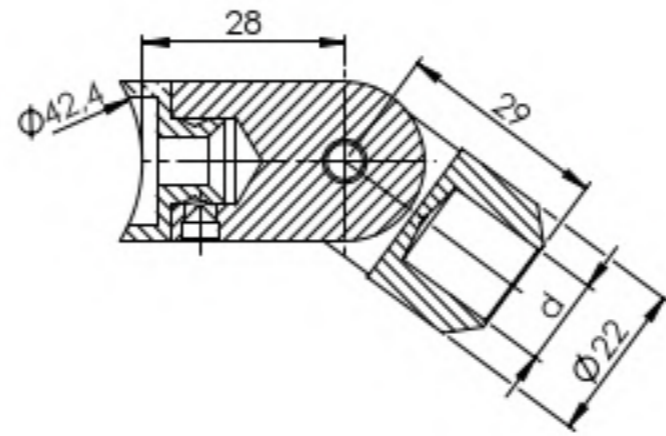


Quality	Finish	art.
AISI304	satın	A/0850-042

SYSTEM AXIAL

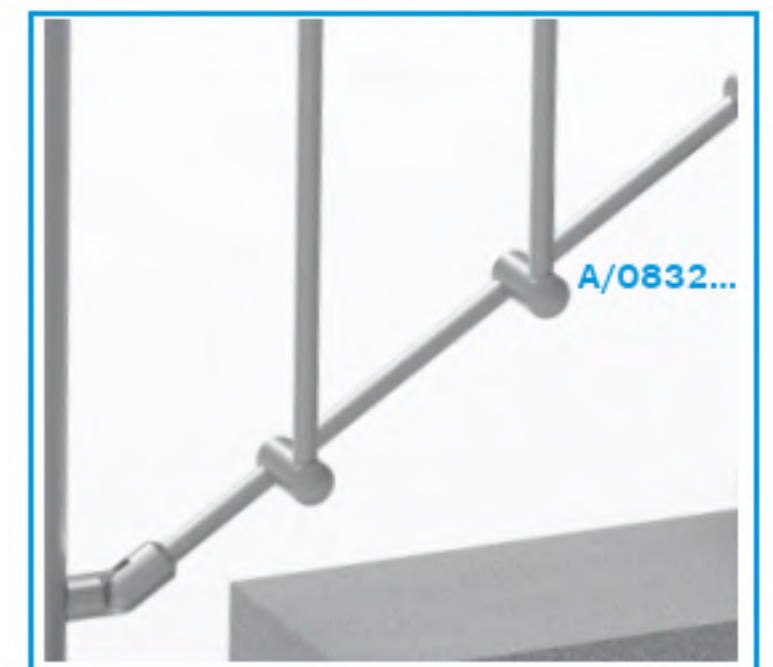
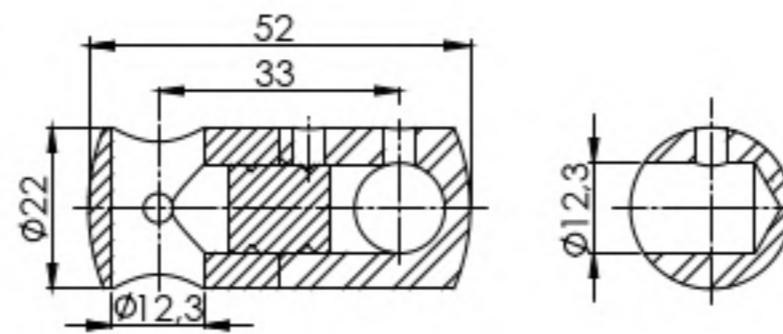


Quality	Finish	art.	d
AISI304	satin	A/0855-000	12
		A/0856-000	14

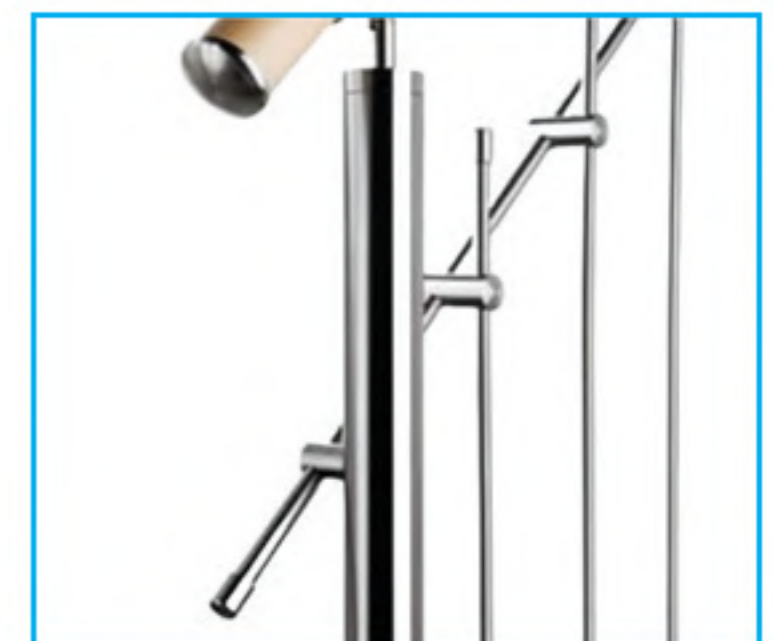
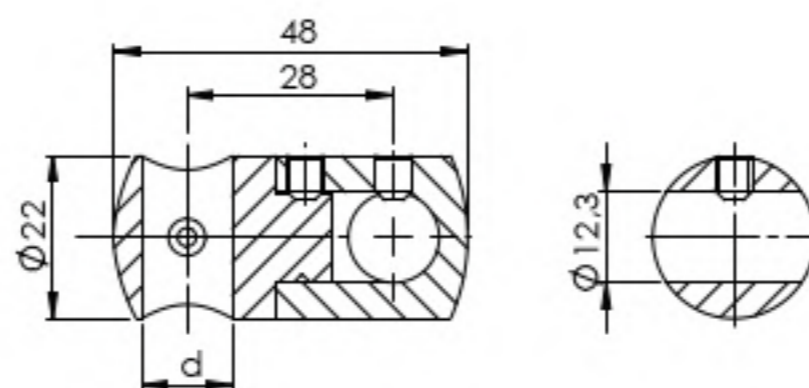


Quality	Finish	art.	d
AISI304	satin	A/0855-042	12
		A/0856-042	14

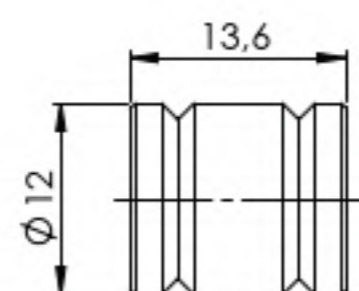
SYSTEM OFF - AXIS



Quality	Finish	art.
AISI304	satin	A/0832-012-0



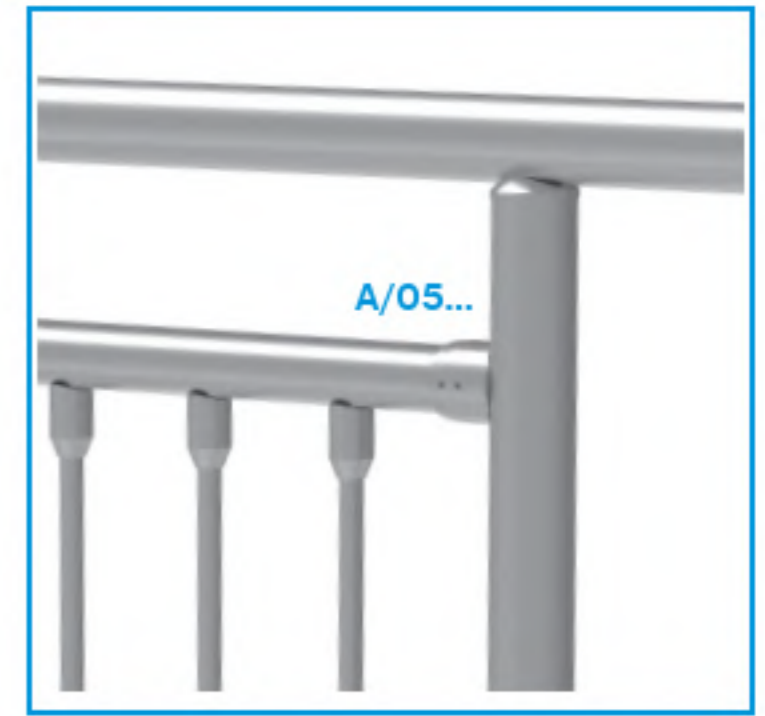
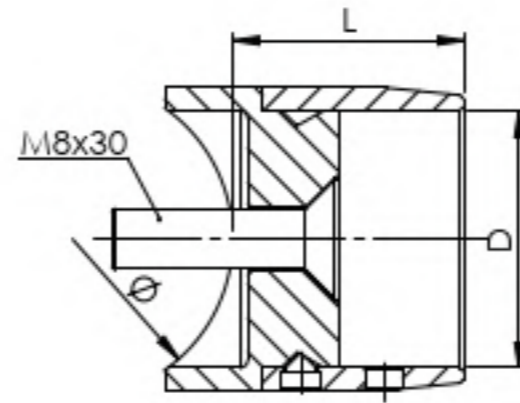
Quality	Finish	art.	d
AISI304	satin	A/0830-012	12
		A/0830-014	14
		A/0830-016	16



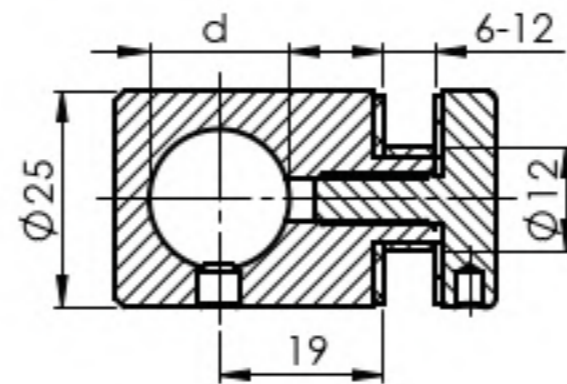
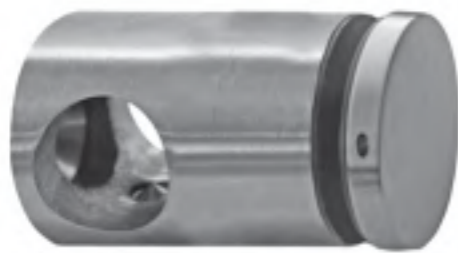
Quality	Finish	art.
AISI304	satin	A/083-PIN

			+		+	
d10	A/0825-000	A/0823-000				A/0825-000
d12	A/0830-000	A/0833-000				A/0830-000
d14	A/0835-000					A/0835-000
d16	A/0840-000	A/0843-000				A/0840-000
					A/083-PIN	

AISI 304 satin example. Combinations also available for AISI 304 polish and AISI 316 satin.

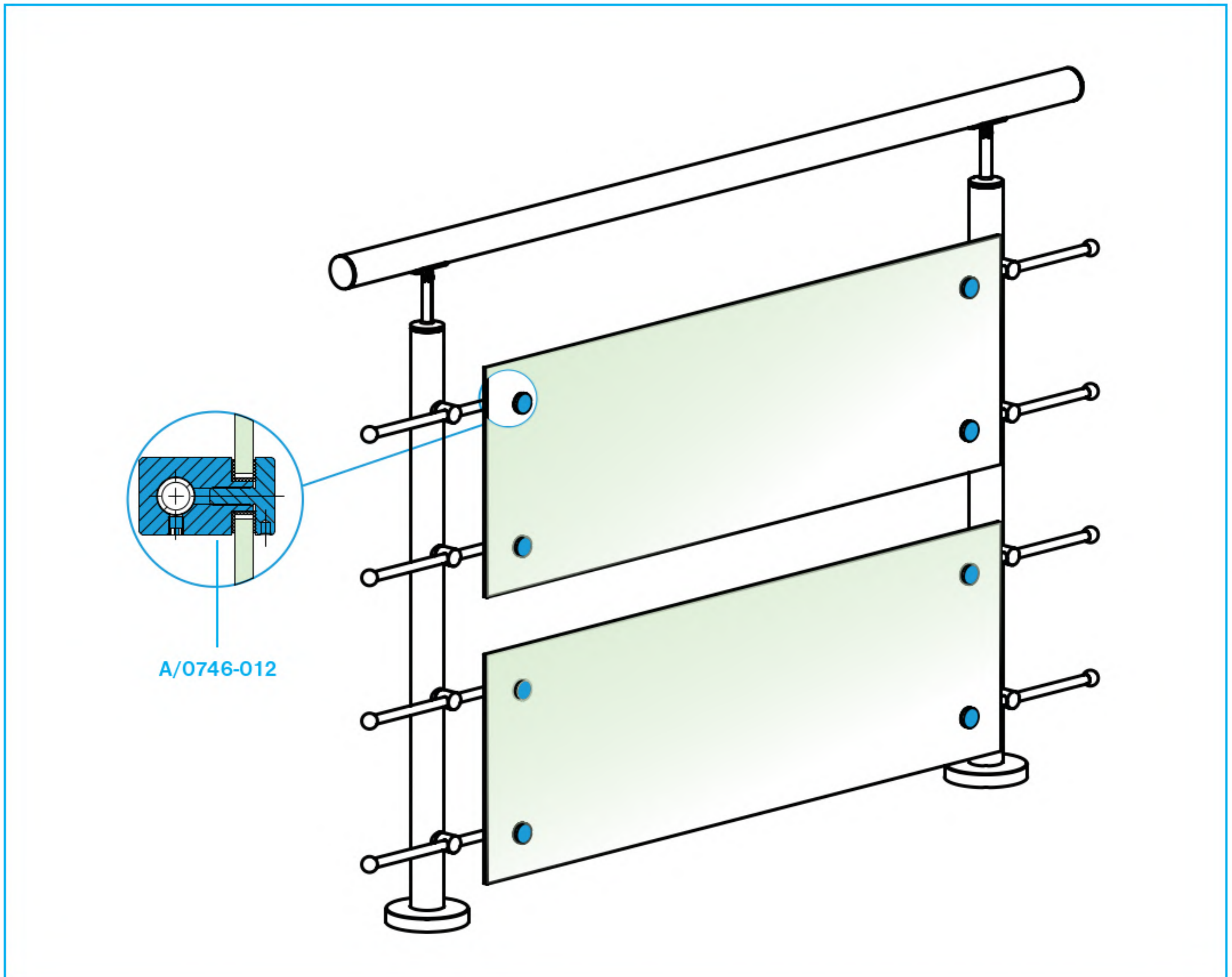


Quality	Finish	Ø	art.	D	L
AISI304	satin	33,7	A/0502-033	33,7	30
		42,4	A/0502-042		34
		42,4	A/0522-042	42,4	

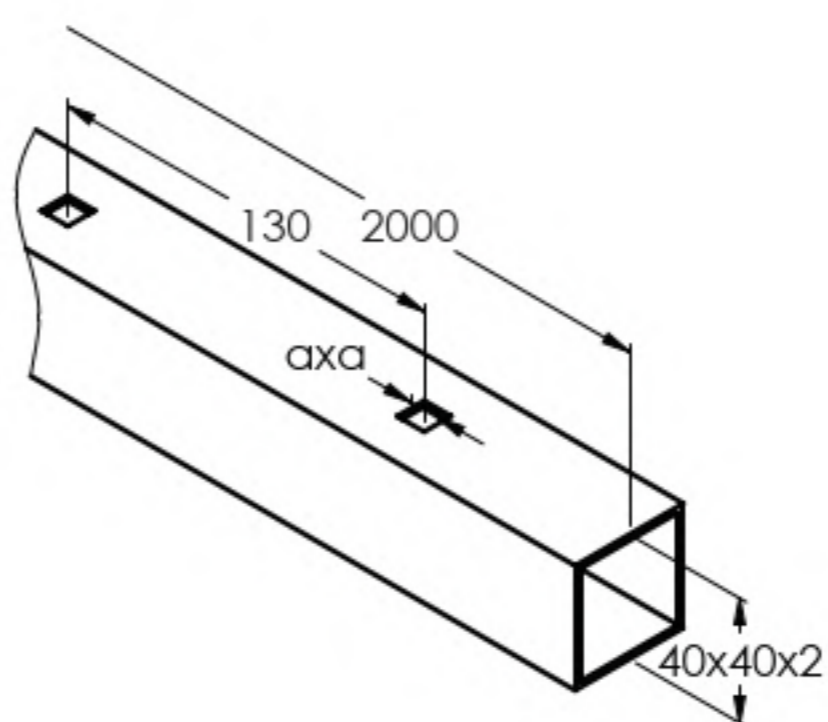


Quality	Finish	art.	d
AISI304		A/0746-012	12
AISI316	satin	A14/0746-012	12
AISI304		A/0746-016	16

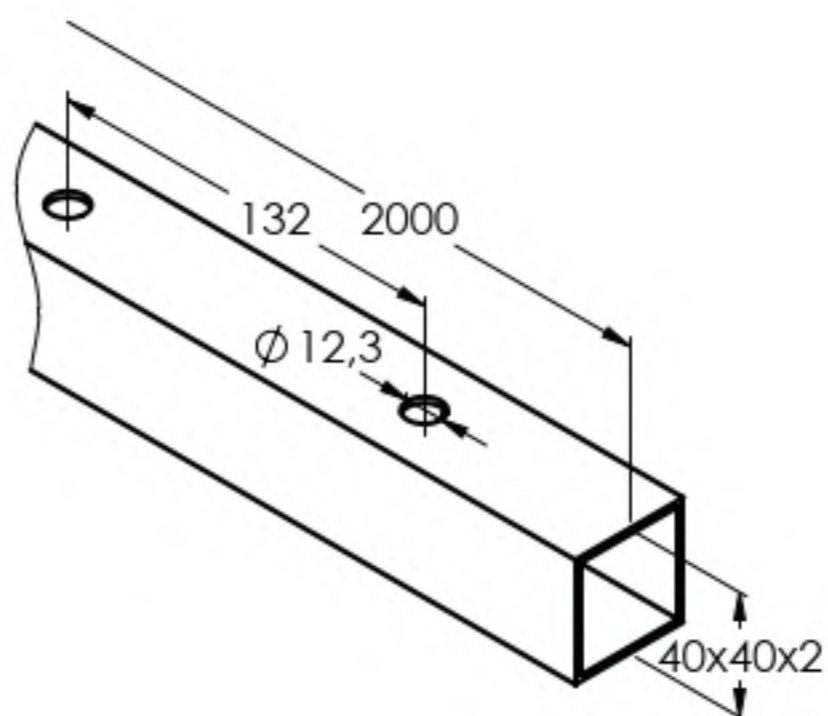
new



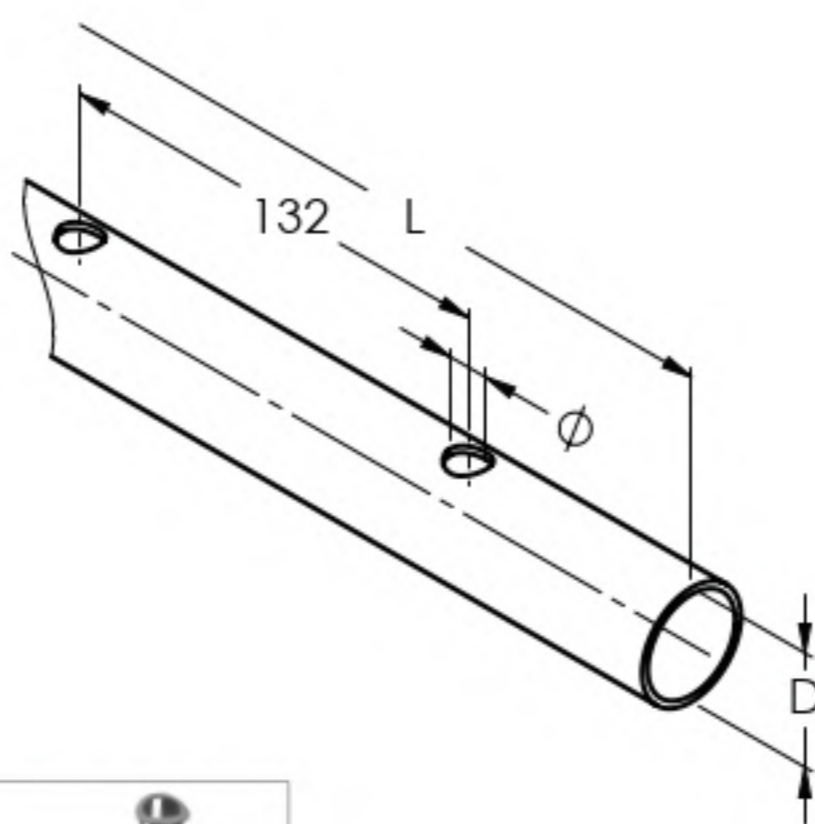
A/0746-012




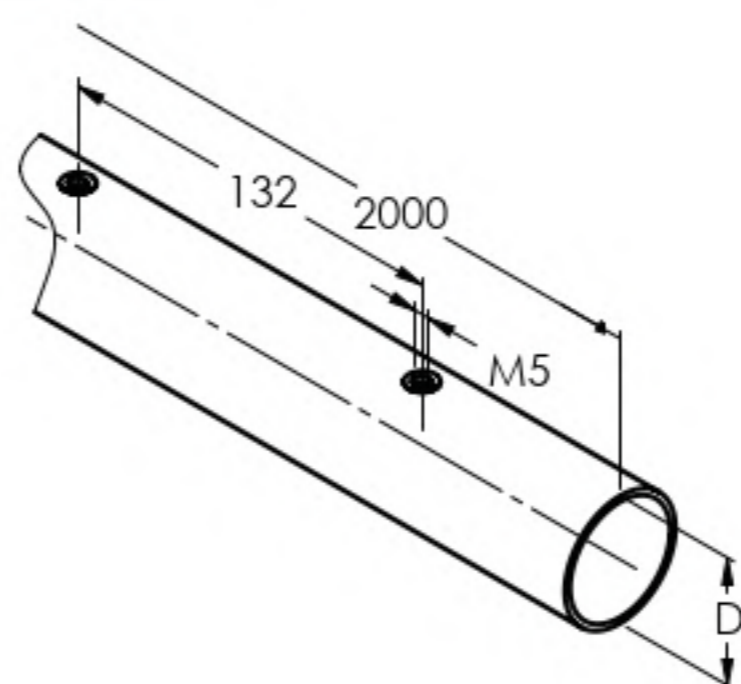
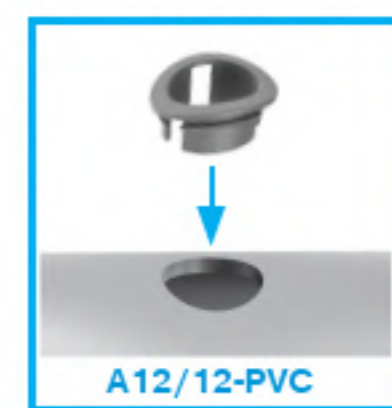
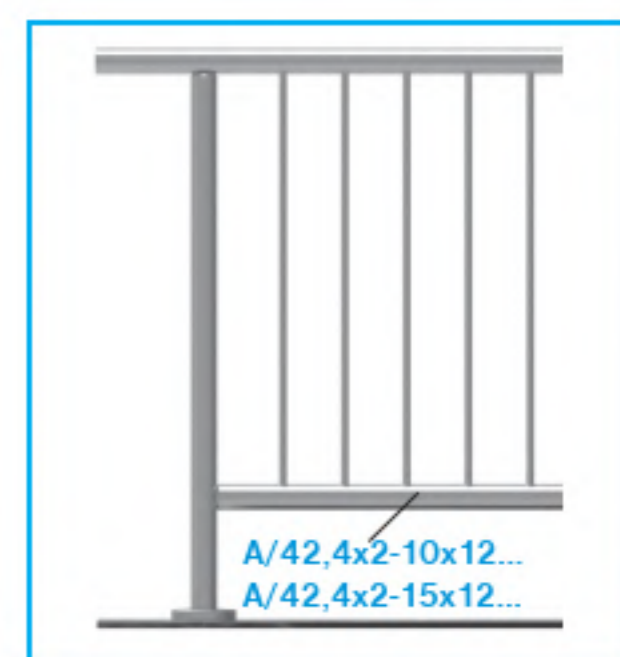
Quality	Finish	art.	a
AISI304	satin	A/40x40x2-15x10x10-2000	10x10
		A/40x40x2-15x12x12-2000	12x12



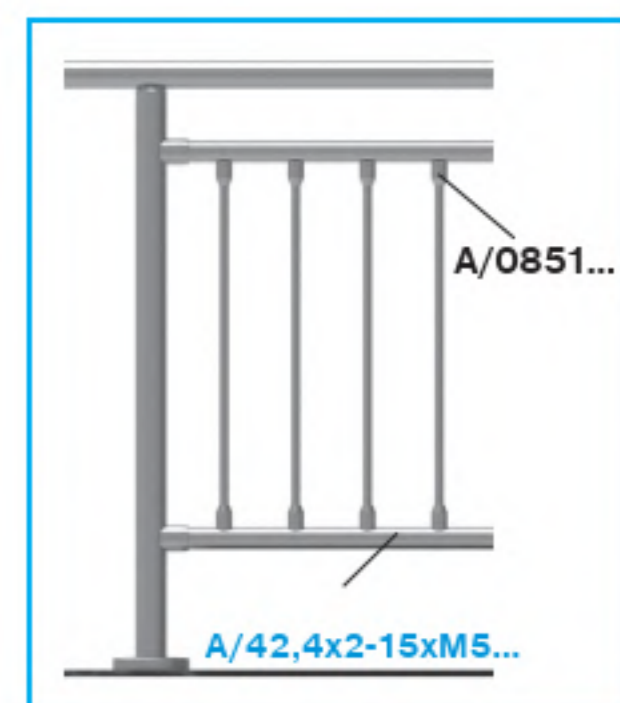
Quality	Finish	art.
AISI304	satin	A/40x40x2-15x12-2000

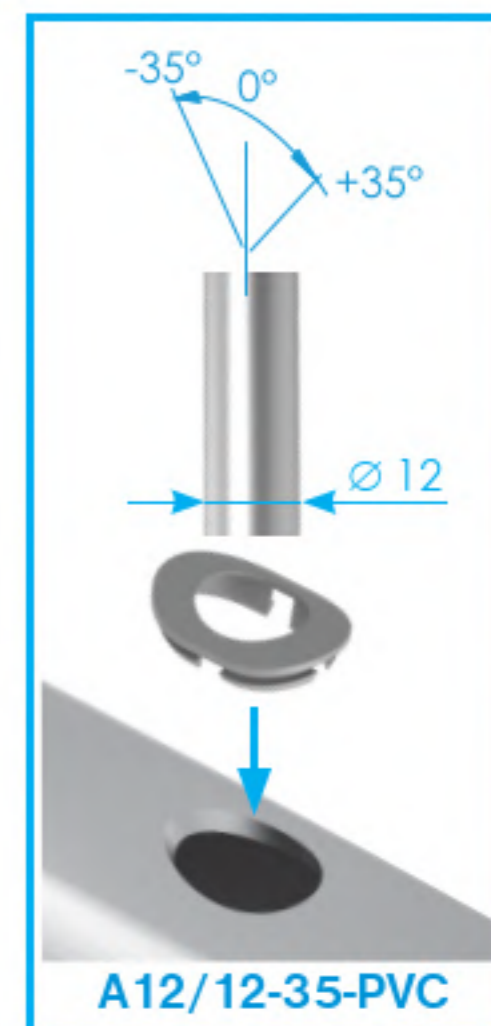
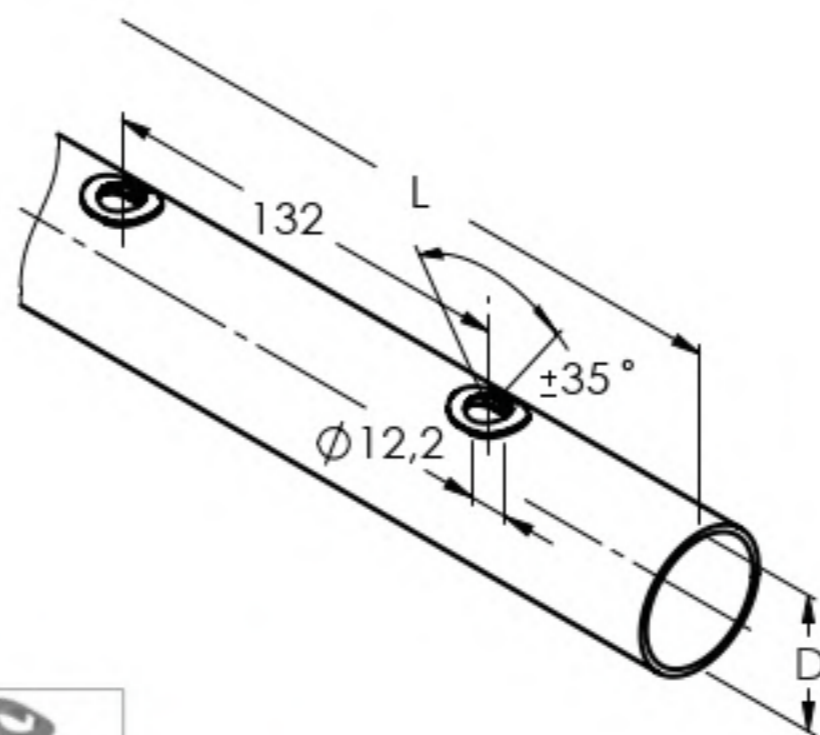


Quality	Finish	art.	ϕ	D	L	
AISI304	satin	A/33,7x2-15x12-2000	12,3	33,7x2	2000	optional
		A/33,7x2-15x14-2000	14,3			
		A/42,4x2-10x12-1300			1300	
		A/42,4x2-15x12-2000	12,3			
		A/42,4x2-15x12-2000-PVC		42,4x2	2000	✓
		A/42,4x2-15x14-2000	14,3			optional
		A/42,4x2-H-atyp				

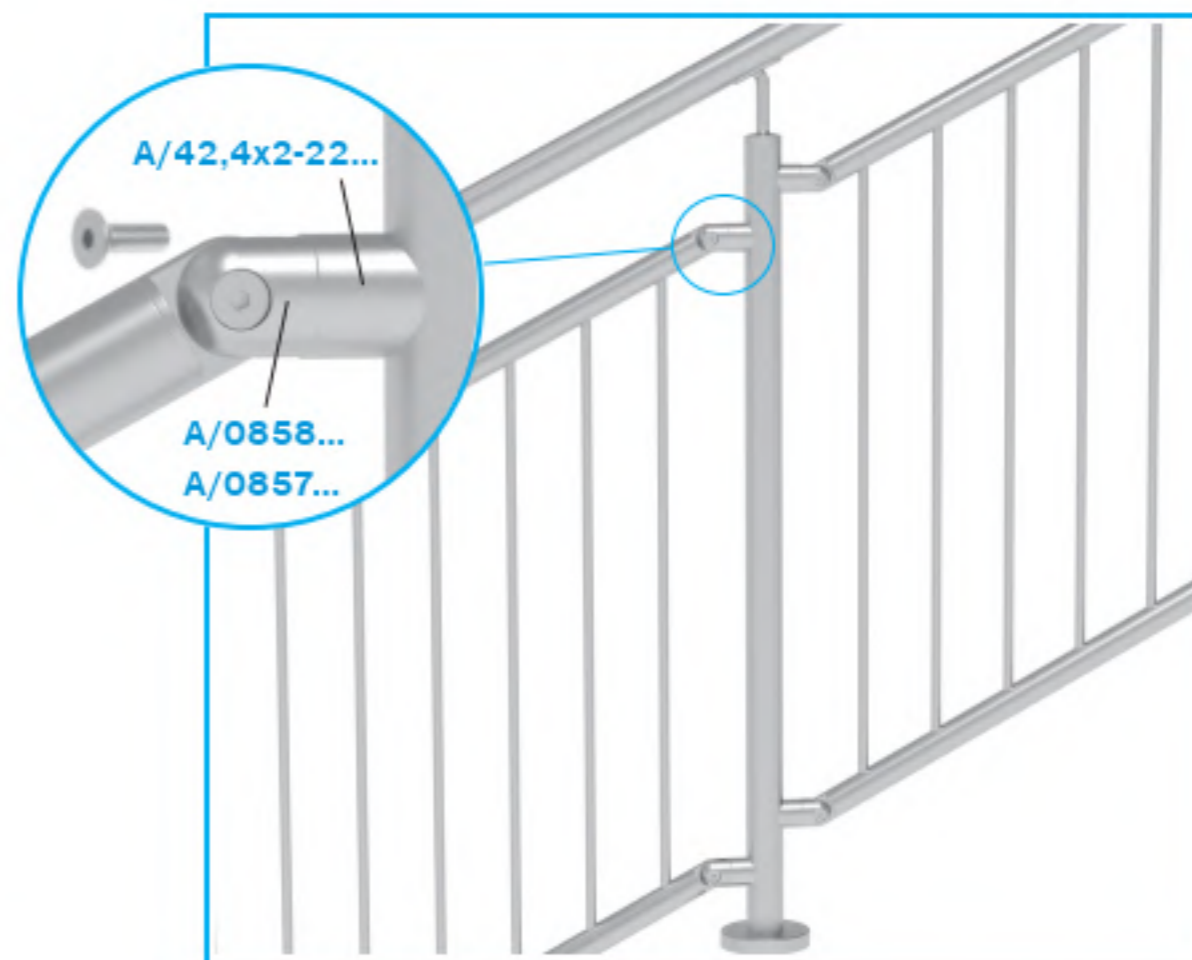
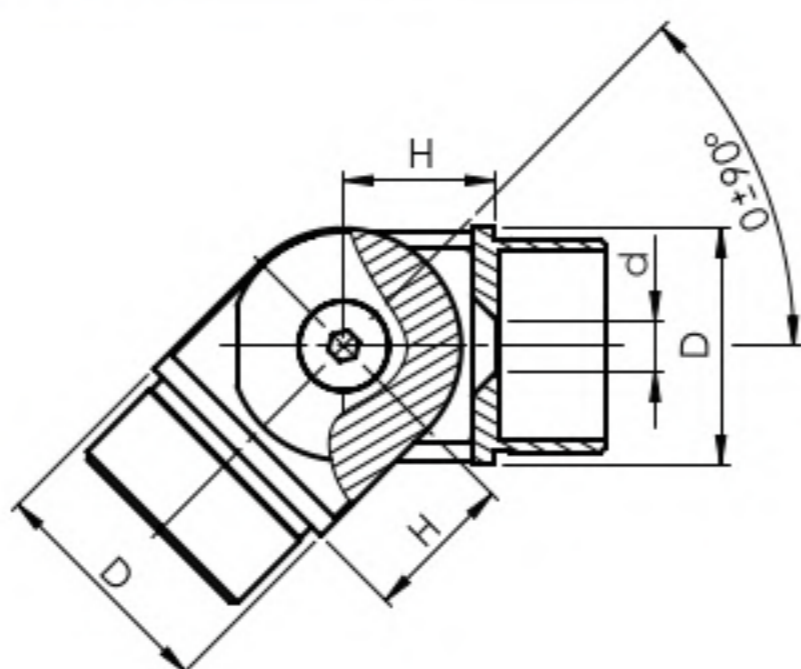


Quality	Finish	art.	D
AISI304	satin	A/33,7x2-15xM5-2000	33,7x2
		A/42,4x2-15xM5-2000	42,4x2

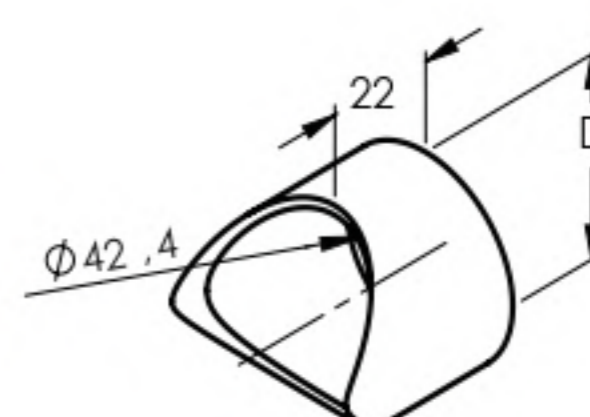
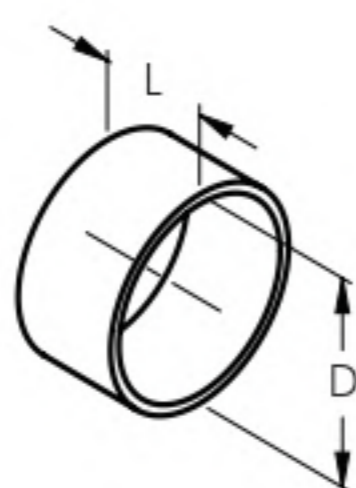




Quality	Finish	art.	D	L	
AISI304	satin	A/33,7x2-13x12-U-1800-PVC	33,7x2	1800	A12/12-35-PVC new new
		A/33,7x2-15x12-U-2000-PVC		2000	
		A/42,4x2-10x12-U-1300-PVC	42,4x2	1300	
		A/42,4x2-15x12-U-2000-PVC		2000	

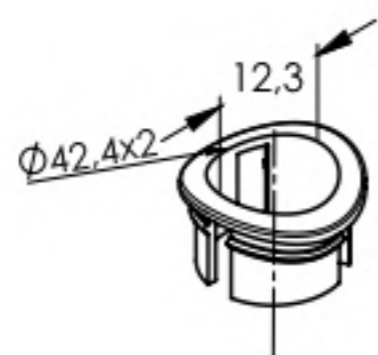
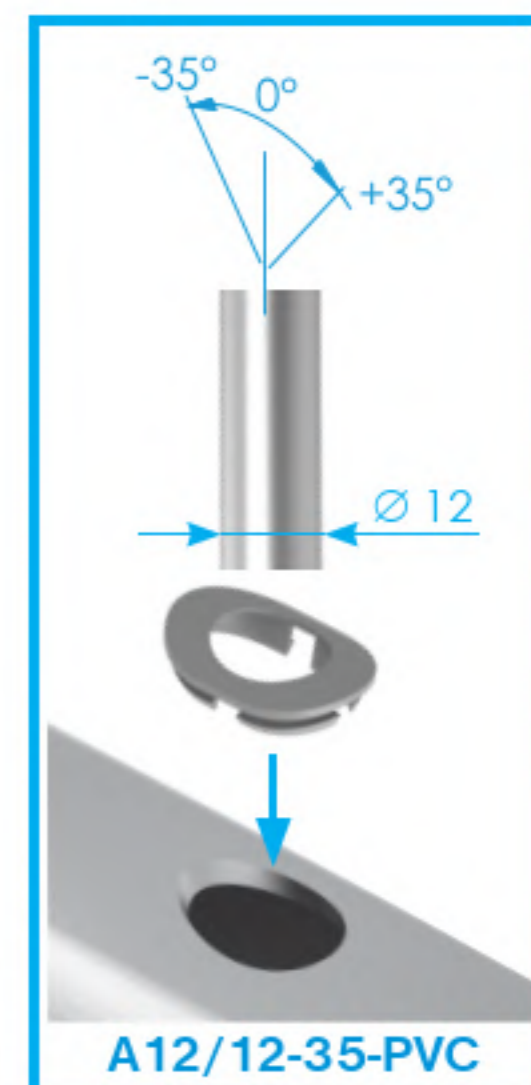


Quality	Finish	art.	D	d	H	optional
AISI304	satin	A/0858-000	33,7x2	6,6	21	A4-DIN 7991 M6x40
		A/0857-000	42,4x2	9	27	A-DIN 7991-A2 M8x35



Quality	Finish	D	art.	L
AISI304	satin	33,7x2	A/33,7x2-22-000	22
			A/42,4x2-22-000	22
		42,4x2	A/42,4x2-35-000	35
			A/42,4x2-45-000	45

Quality	Finish	D	art.
AISI304	satin	33,7x2	A/33,7x2-22-042
		42,4x2	A/42,4x2-22-042



A12/12-PVC

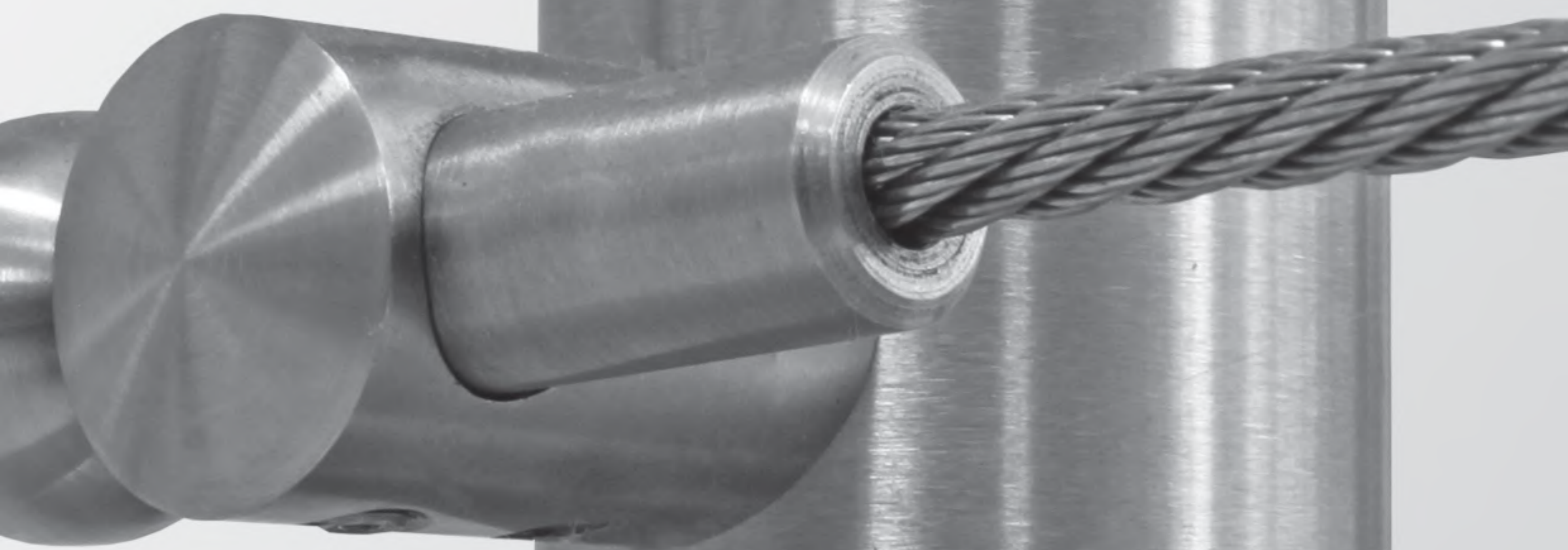


A12/12-35-PVC

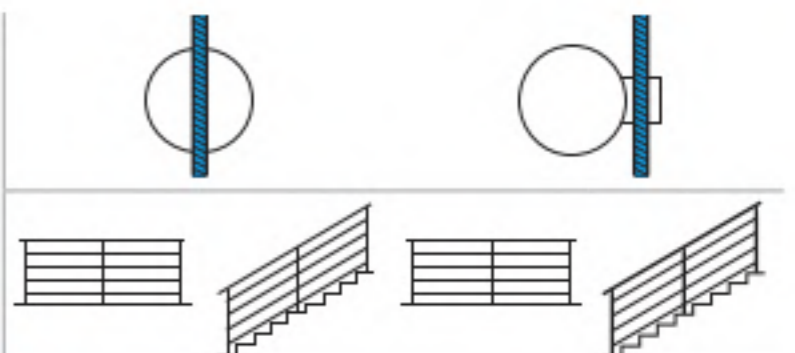
Quality	Finish	art.
PVC	raw	A12/12-PVC

Quality	Finish	art.
PVC	raw	A12/12-35-PVC

CABLE HOLDERS



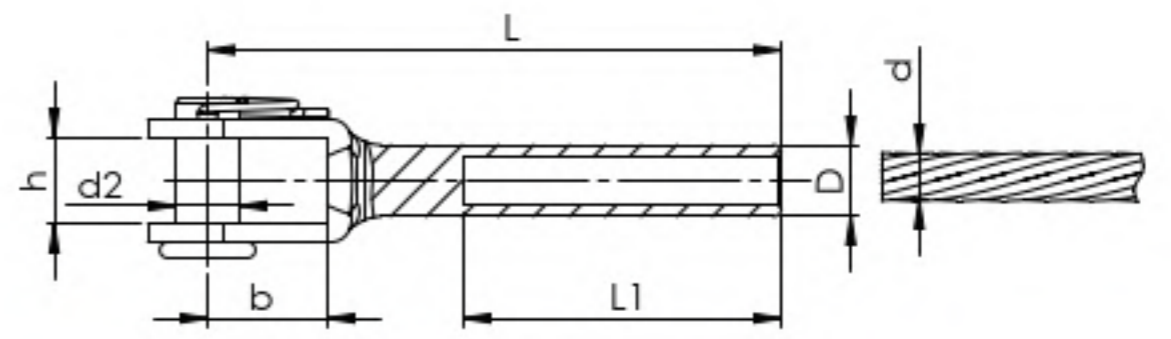
application



<p>C1</p>		<p>✓</p>			
<p>C2</p>		<p>✓</p>	<p>✓</p>		
<p>C3</p>		<p>✓</p>	<p>✓</p>		
<p>C4</p>		<p>✓</p>			
<p>C5</p>			<p>✓</p>	<p>✓</p>	

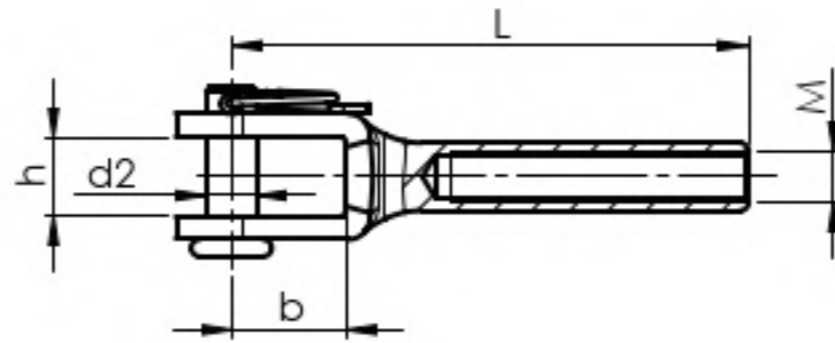
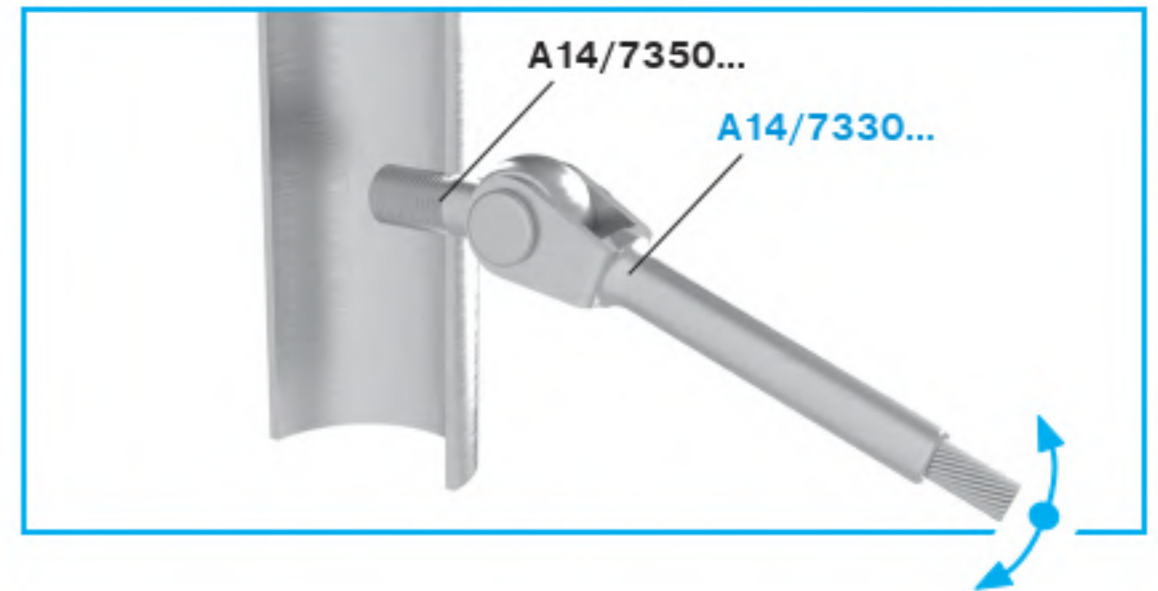


art.
Q8/95

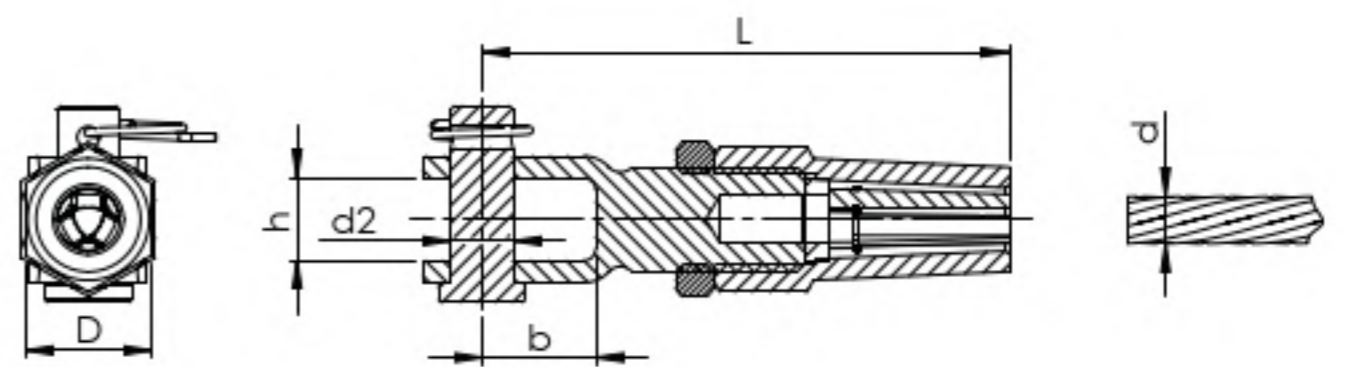
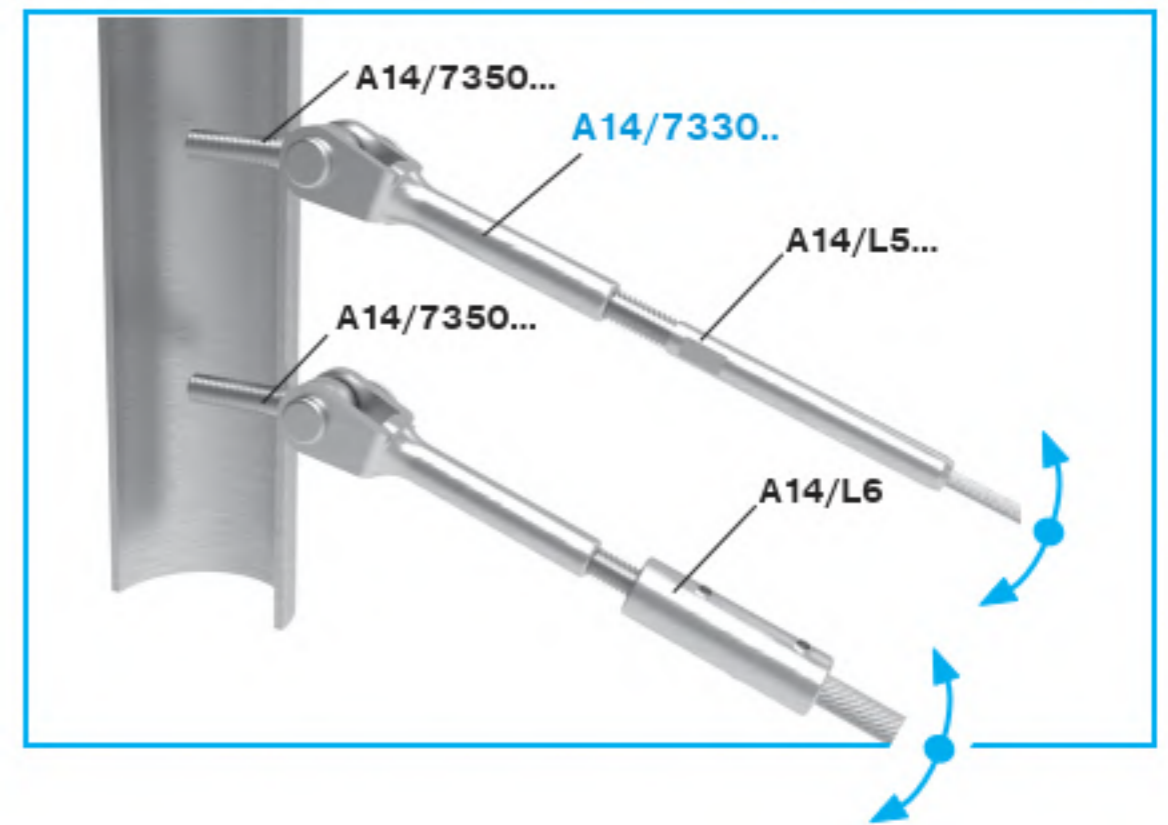


Quality	Finish	art.	d	D	h	b	L	L1	d2	anchor system
AISI316	satin	A14/7330-003	3	5,5	7,5	12	50	25	4,8	C3
		A14/7330-004	4	6,3						
		A14/7330-005	5	7,5	9,6	13	58	30	5,8	
		A14/7330-006	6	9	11	15	72	40	7,8	
		A14/7330-008	8							

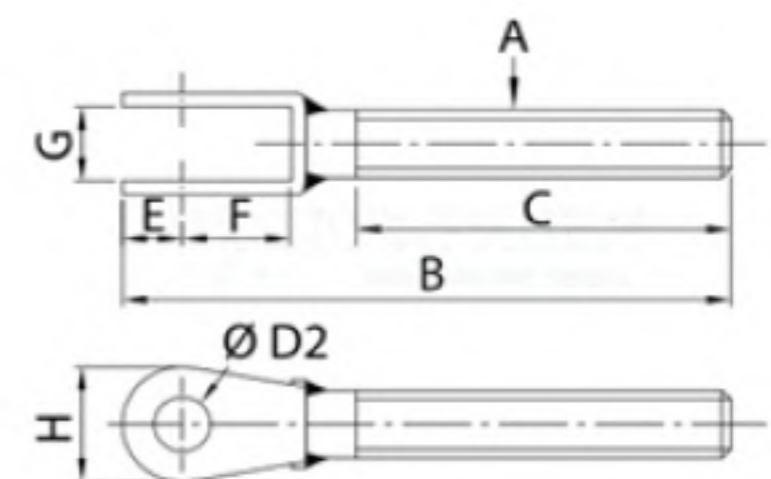
new



Quality	Finish	art.	M	b	h	L	d2	anchor system
AISI316	satin	A14/7330-M6	6	13,5	9,6	61	5,9	C3
		A14/7330-M10	10	20	12	73	9	

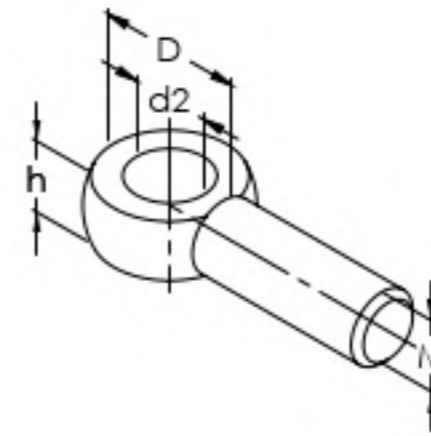


Quality	Finish	art.	d	D	L	d2	b	h	anchor system
AISI316	satin	A14/7300-003	3	12	53	4,8	12,8	8,2	C3
		A14/7300-005	5	16	66	8	15	10,5	

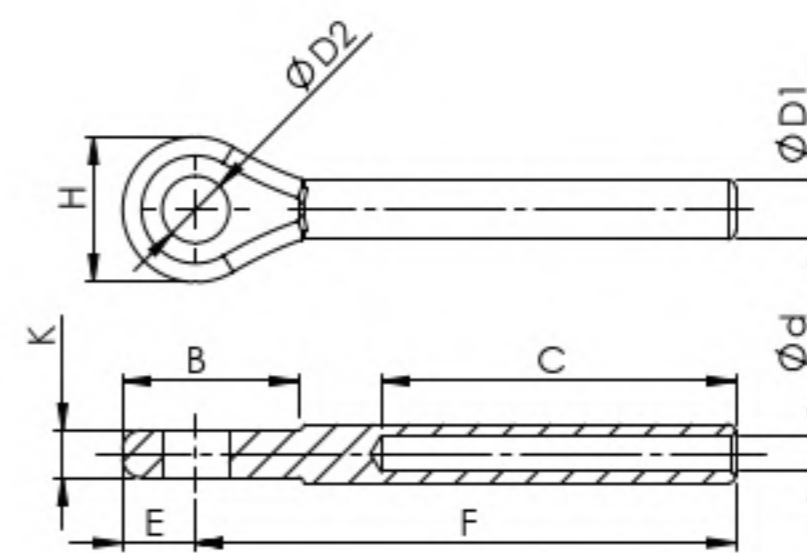


Quality	Finish	art.	M	A	B	C	D	E	F	G	H	D2	anchor system	
AISI316	satin	A14/7332-M10	10										C3	
		A14/7332-M10 LEFT												
		A14/7332-M6	6											
		A14/7332-M6 LEFT												

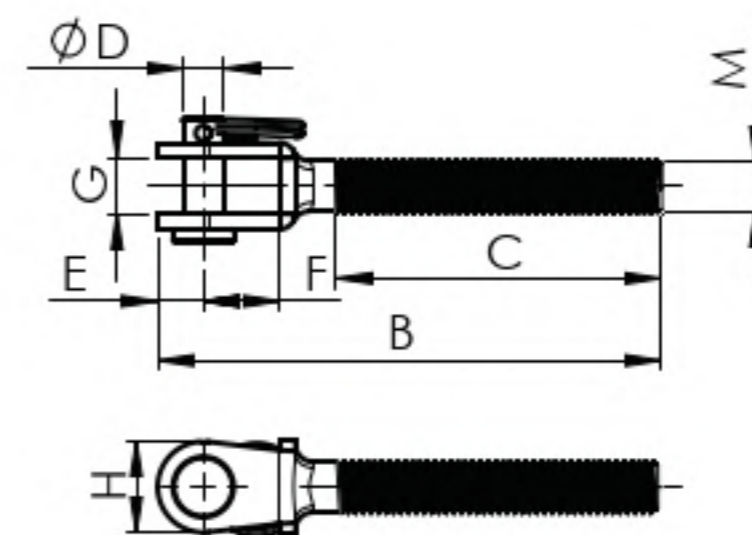
new
new
new
new



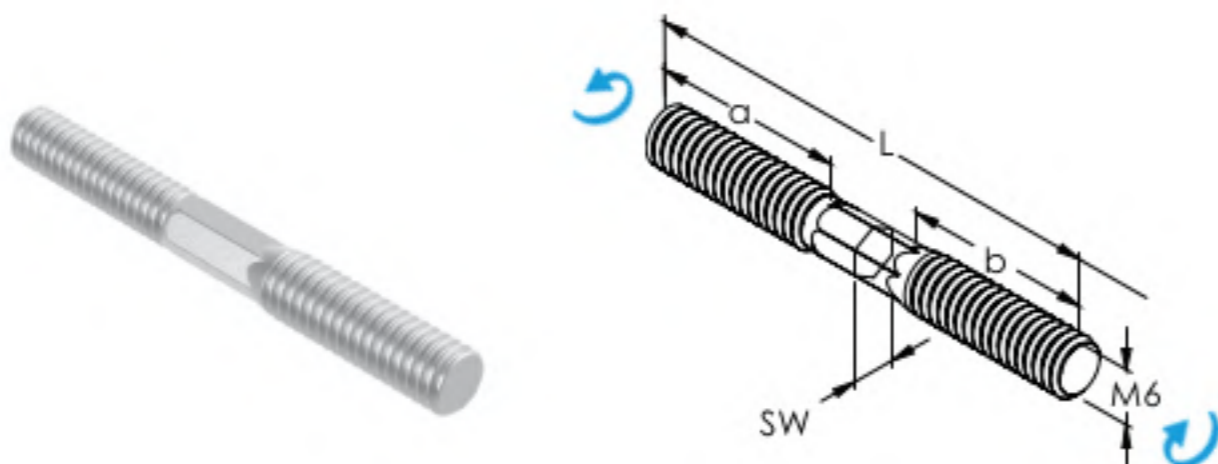
Quality	Finish	art.	d2	M	D	h	anchor system
AISI316	satin	A14/7350-003	6,5	6	12	6	C2,C3
		A14/7350-005	9,5	10	20	9,7	



Quality	Finish	art.	d	H	B	C	K	E	F	D1	D2	anchor system		
AISI316	satin	A14/7333-004	4	17,5	23	45	6	9,5	68,5	7,5	8,5	C3	<i>new</i>	
		A14/7333-005	5	17,5	23	45	6	9,5	68,5	7,5	8,5			<i>new</i>
		A14/7333-006	6	22	30	52	6	12	75	9	10,5			
		A14/7333-008	8	27	35	65	8	13	93,5	12,5	13			<i>new</i>



Quality	Finish	art.	d	A	H	B	C	K	E	F	D2	anchor system		
AISI316	satin	A14/7333-M6	6									C3	<i>new</i>	
		A14/7333-M6 LEFT												<i>new</i>
		A14/7333-M10	10											
		A14/7333-M10 LEFT												<i>new</i>



Quality	Finish	art.	M	L	a	b	SW
AISI316	raw	A4-DUAL M6/M6	6	65	30	30	✓ <i>new</i>
		A4-DUAL M10/M10	10				



A14/7331-0..

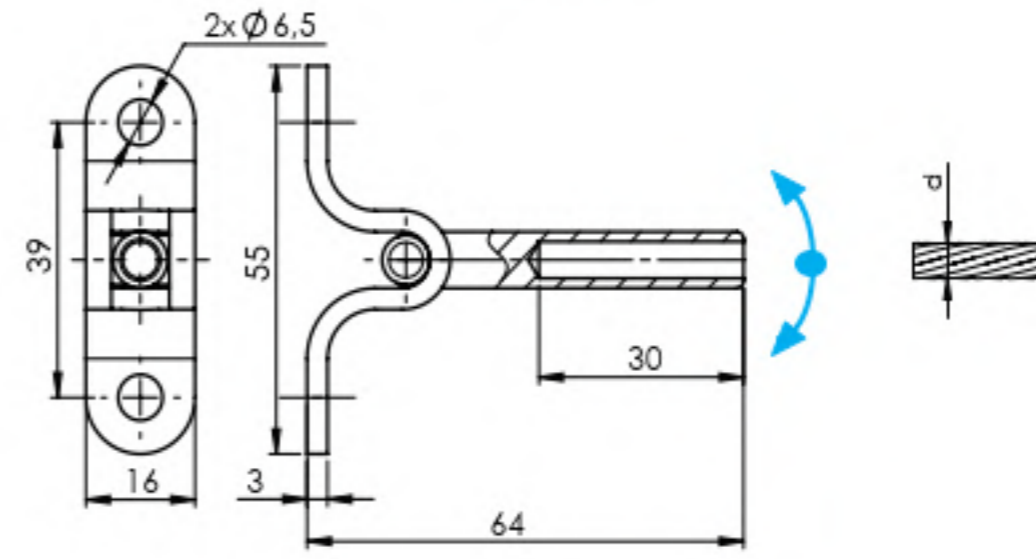


A14/7331-M6

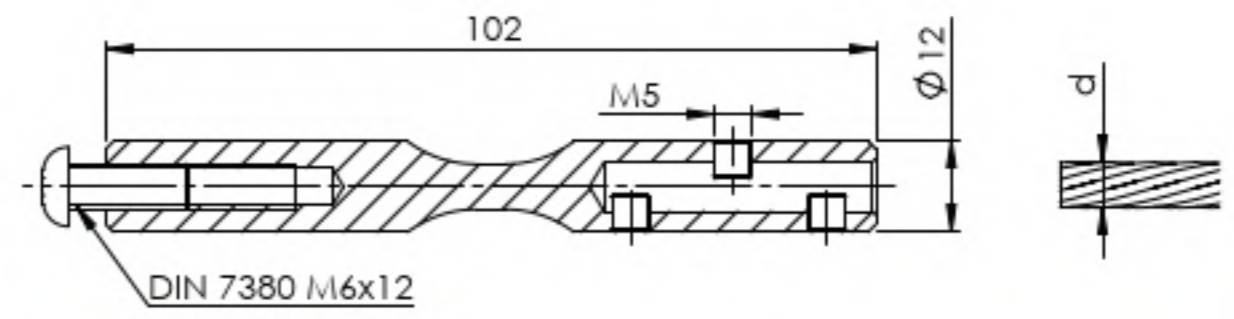
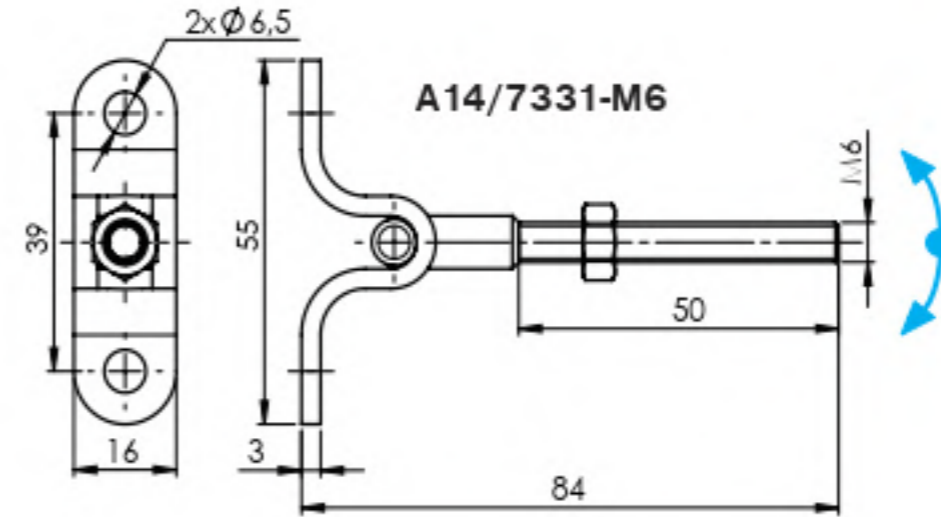
Quality	Finish	art.	d	M	anchor system
AISI316	satin	A14/7331-004	4		C3
		A14/7331-005	5		
		A14/7331-006	6		
		A14/7331-M6		6	

new

A14/7331-0..

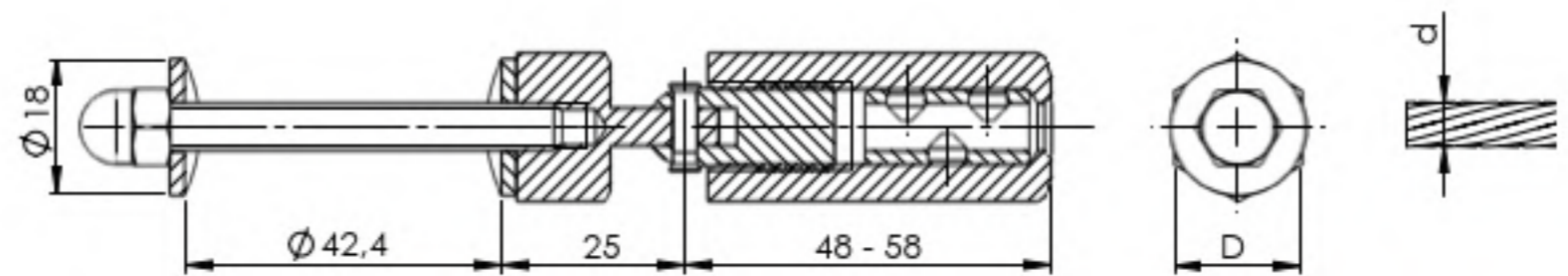


A14/7331-M6

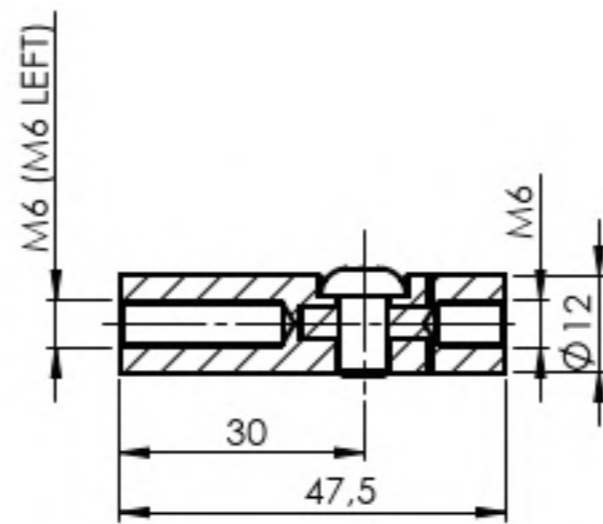


Quality	Finish	art.	d	anchor system
AISI304	satin	A5/L6-V	4-6	C2
AISI316		A14/L6-V		

top

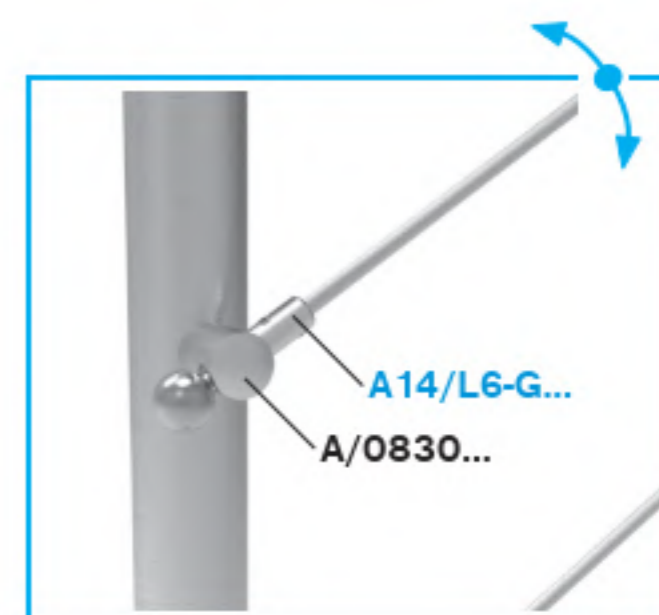
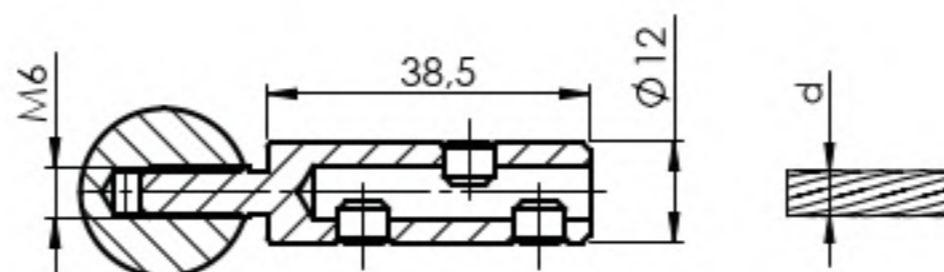


Quality	Finish	art.	d	D	anchor system
AISI304	satin	A5/L7-6	4-5	17	C2
		A5/L7-8	6-8	19	
AISI316		A14/L7-6	4-5	17	

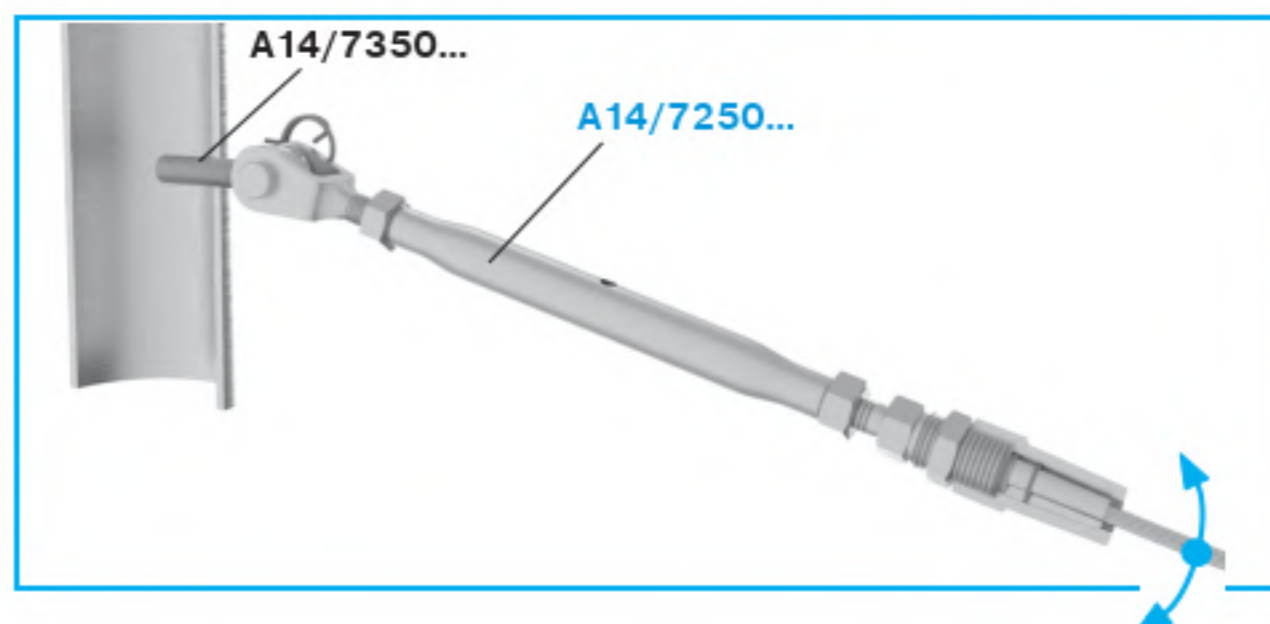
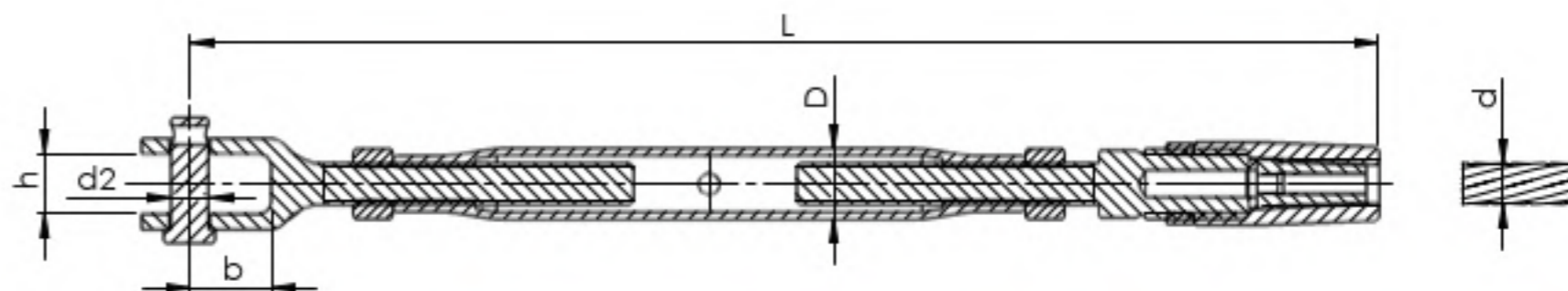


Quality	Finish	art.	M	anchor system
AISI316	satin	A14/7334-M6	6	C3
		A14/7334-M6 LEFT		

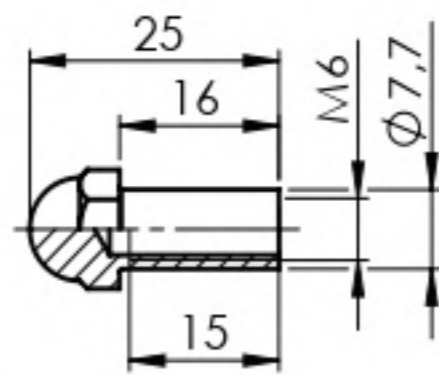
new
new



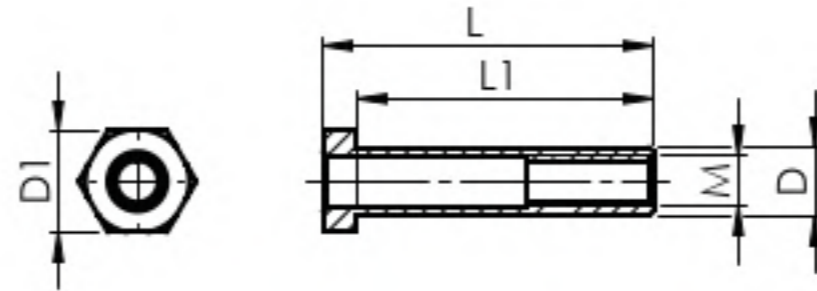
Quality	Finish	art.	d	anchor system
AISI316	satin	A14/L6-G	4-6	C5



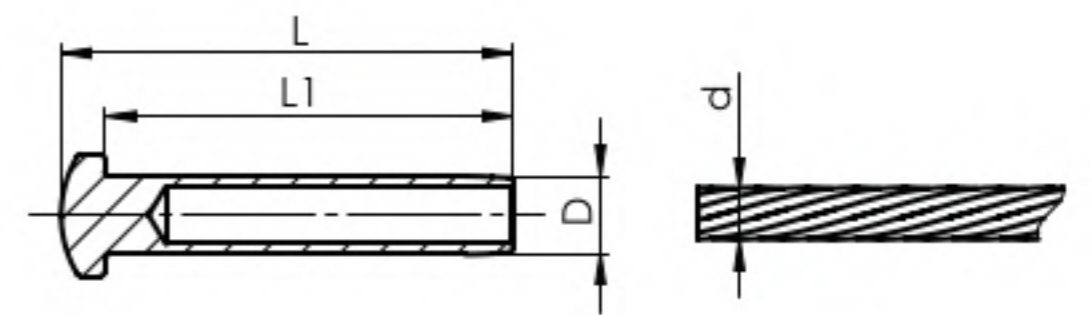
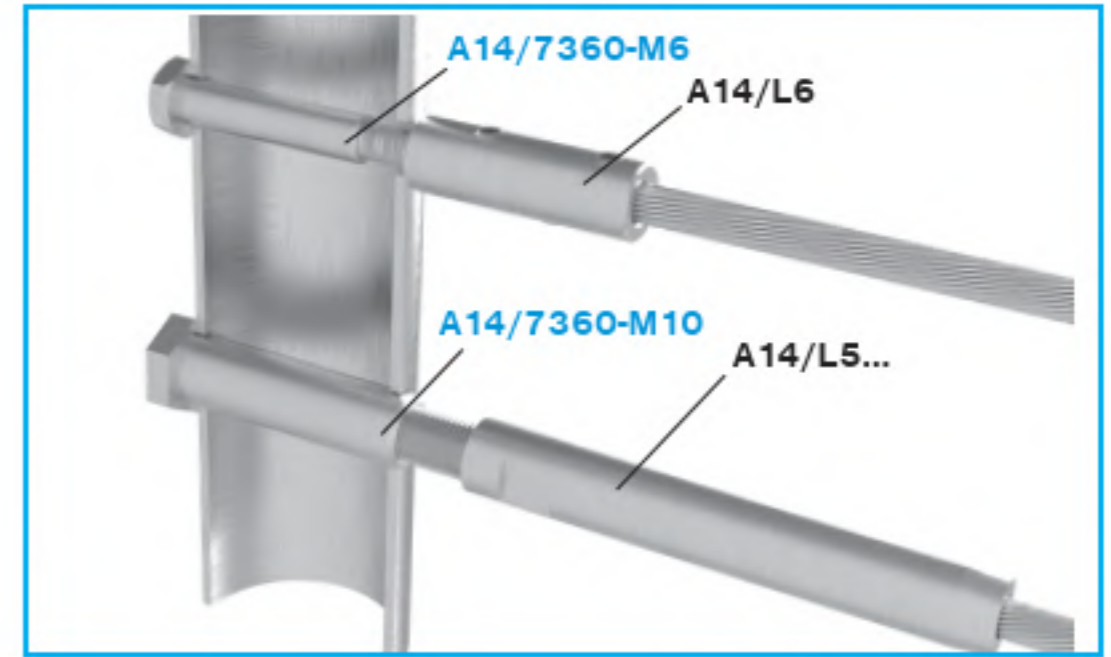
Quality	Finish	art.	d	D	L	h	b	d2	anchor system
AISI316	satin	A14/7250-003	3	8	140 - 200	7,5	12	5	C3
		A14/7250-005	5	13,5	200 - 0	10,3	13	8	



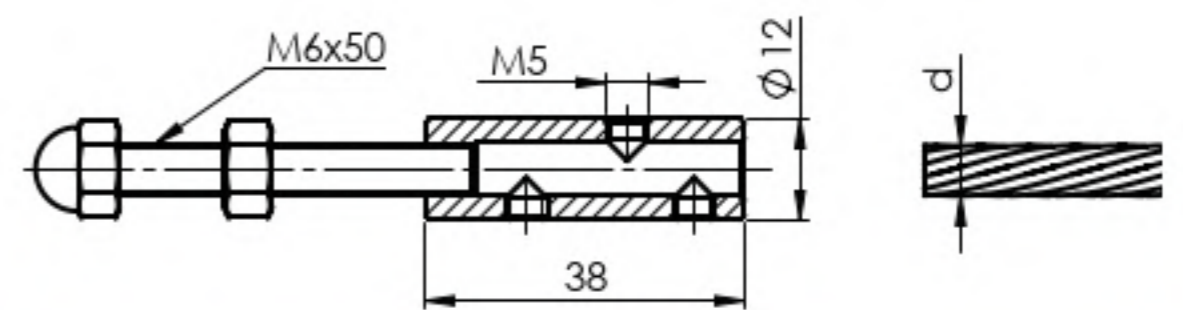
Quality	Finish	art.	Tread	anchor system
AISI316	satin	A14/7361-M6	right	C1
		A14/7361-M6 LEFT	left	



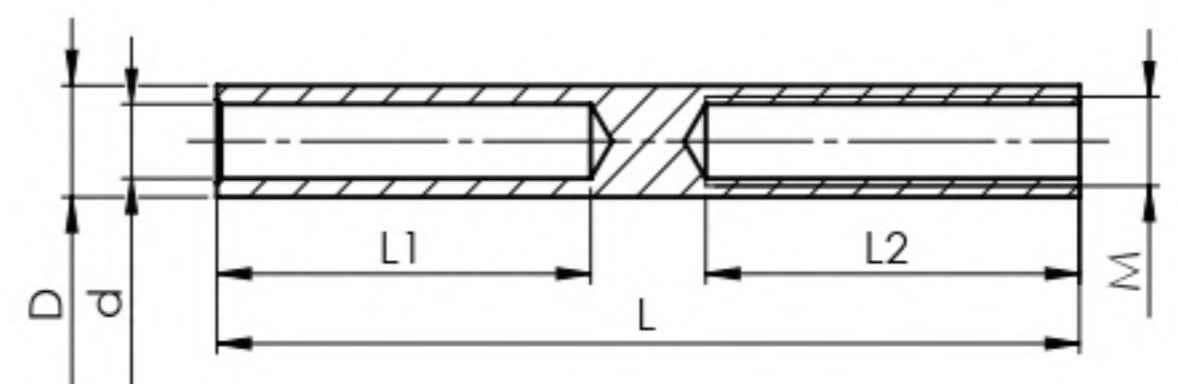
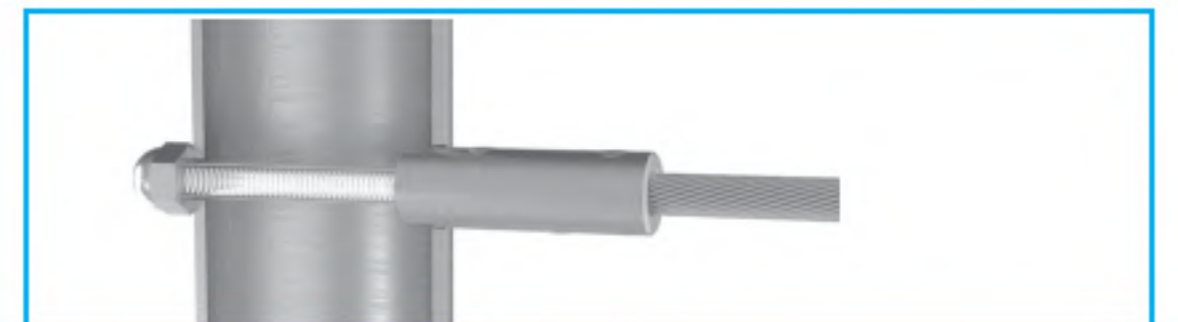
Quality	Finish	art.	D1	L1	D	L	M	anchor system
AISI316	satin	A14/7360-M6	13	35	8	39	6	C1
		A14/7360-M10	17	45	13	50	10	



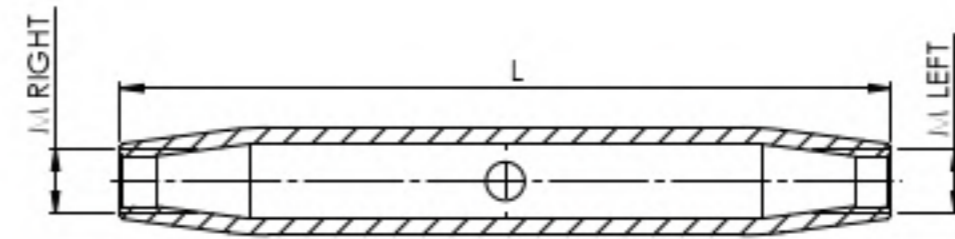
Quality	Finish	art.	D1	L1	D	L	d	anchor system
AISI316	satin	A14/7370-003	3,5	32	5,5	35	3	C1, C4
		A14/7370-004	4,4		6,3		4	
		A14/7370-005	5,3	37	7,5	41	5	
		A14/7370-006	6,5	47	9	52	6	



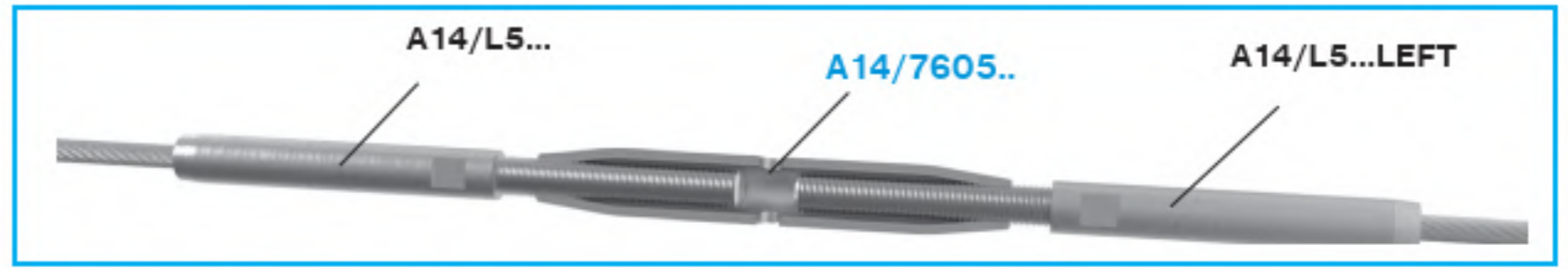
Quality	Finish	art.	d	anchor system
AISI316	satin	A14/L6	4-6	C1



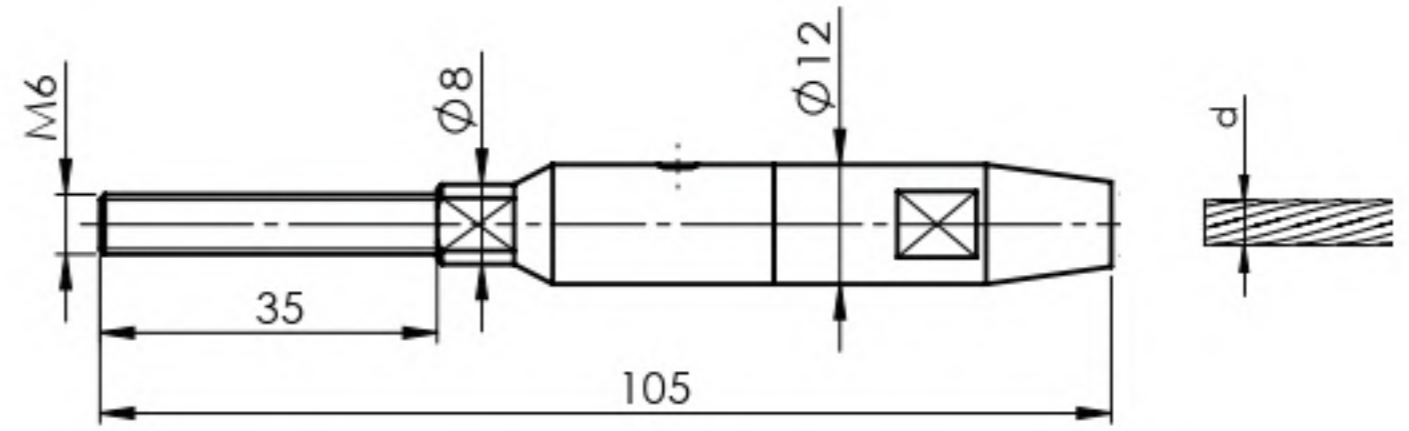
Quality	Finish	art.	d	D	M	L2	L1	L	Tread	
AISI316	satin	A14/L8-4	4	7,5	6	26	26	60	right	<i>new</i>
		A14/L8-4 LEFT							left	
		A14/L8-5	5	6	26	26	70	right	<i>new</i>	
		A14/L8-5 LEFT						left		
		A14/L8-6	6	8	10	10	70	right	<i>new</i>	
		A14/L8-6 LEFT						left		
		A14/L8-8	8	13	10	10	10	right	<i>new</i>	
		A14/L8-8 LEFT						left		



Quality	Finish	art.	L	M	anchor system
AISI316	satin	A14/7605-M6	90	6	C4
		A14/7605-M10	120	10	

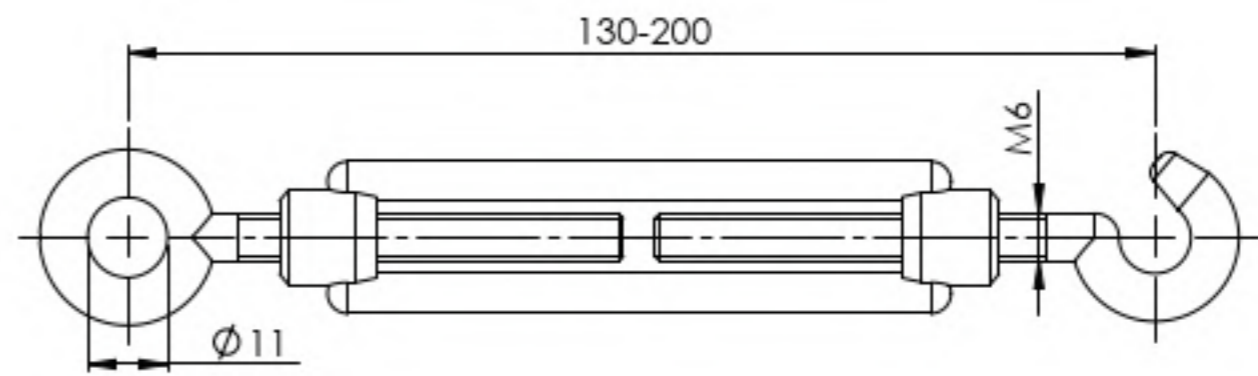
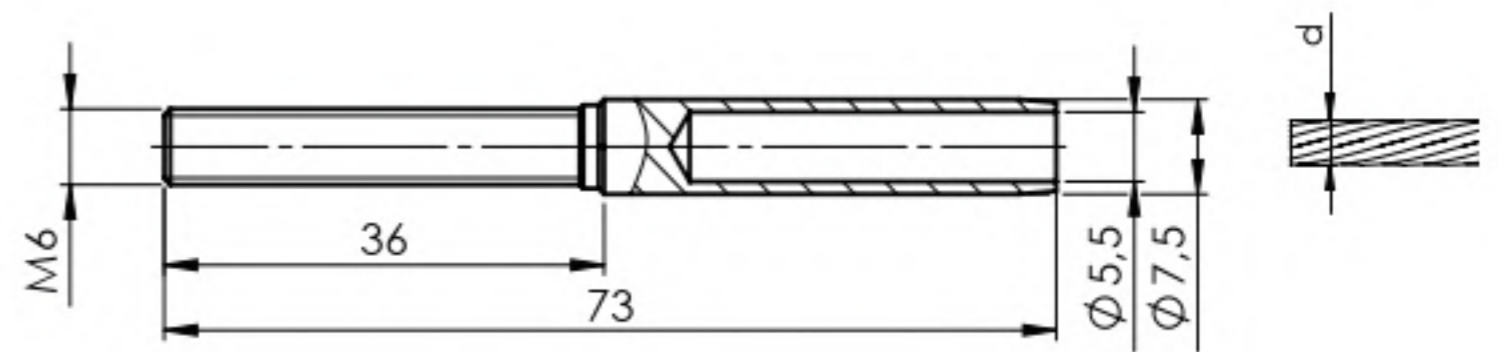


Quality	Finish	art.	d	anchor system
AISI316	satin	A14/L3	4,5,6	C4

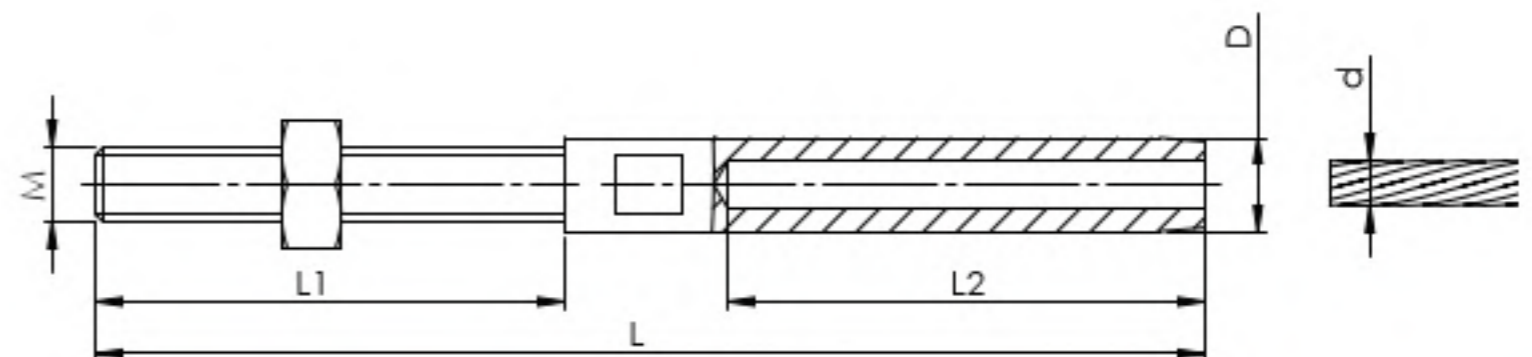


Quality	Finish	art.	Tread	d	anchor system
AISI316	satin	A14/L4-5	right	3-5	C1, C4
		A14/L4-5 LEFT	left		
		A14/L4-8	right	6-8	
		A14/L4-8 LEFT	left		

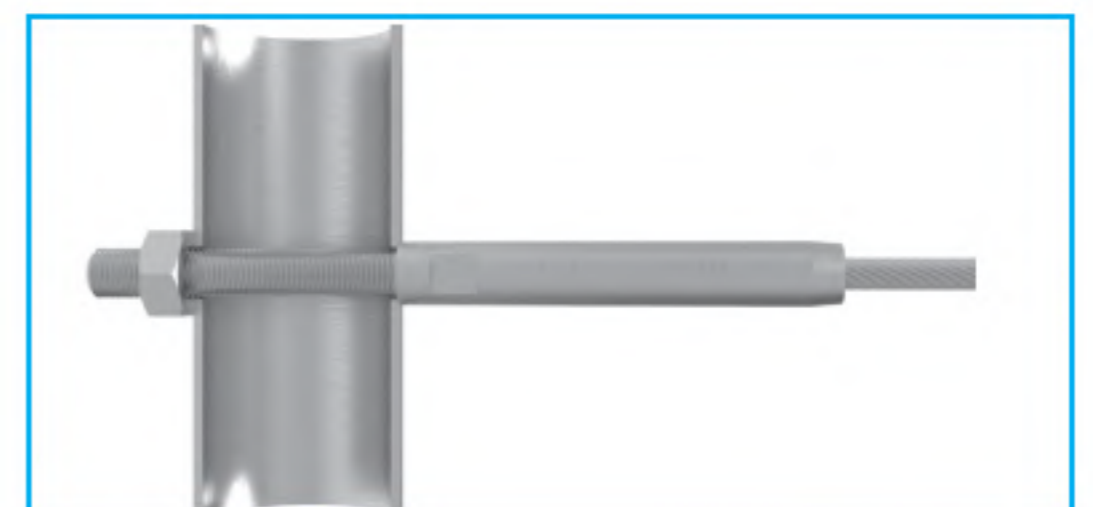
new
new



Quality	Finish	art.
AISI316	raw	A14/7500-010



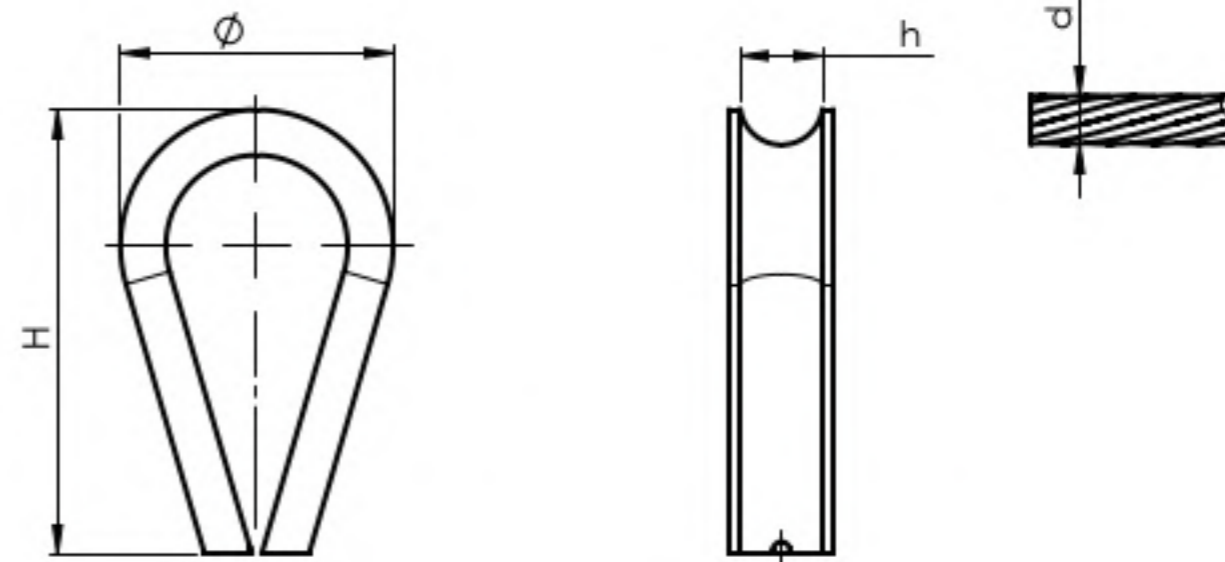
Quality	Finish	art.	d	D	L2	L1	M	L	Tread	anchor system
AISI316	satin	A14/L5-3	3	6,35	38	48	6	100	right	C1, C4
		A14/L5-4	4	7,5	45	48	6	108		
		A14/L5-5	5	9	51	63	10	132		
		A14/L5-6	6	12,5	64	63	10	146,5		
		A14/L5-3 LEFT	3	6,35	38	48	6	100	left	
		A14/L5-4 LEFT	4	7,5	45	48	6	108		
		A14/L5-5 LEFT	5	9	51	63	10	132		
		A14/L5-6 LEFT	6	12,5	64	63	10	146,5		



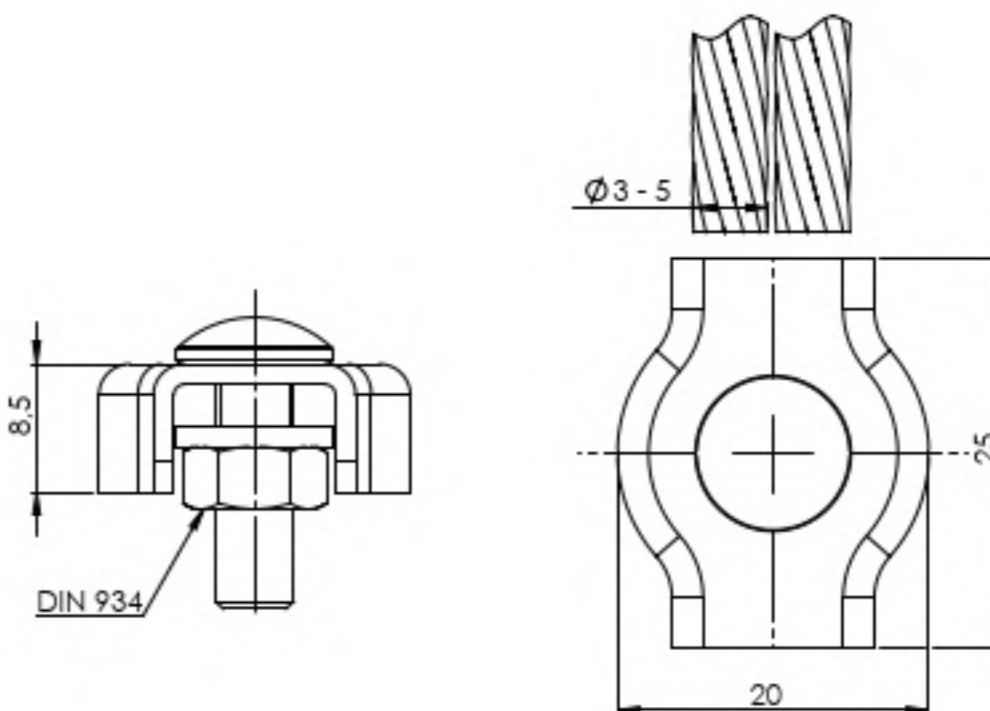
SYSTEM **FIX**



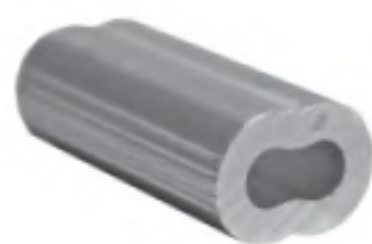
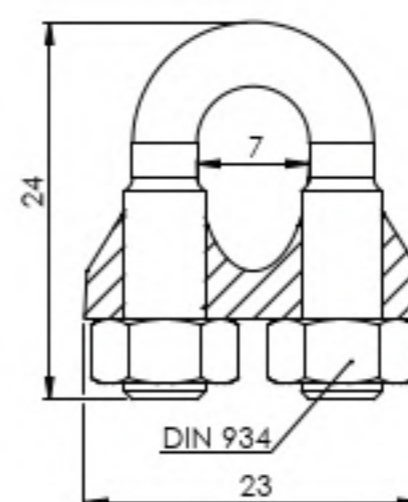
Quality	Finish	art.	∅	H	h	d	
AISI316	satin	A14/7603-003	16	25,5	3,5	1,5-3	<i>new</i>
		A14/7603-005	21	30	5,9	3-4	



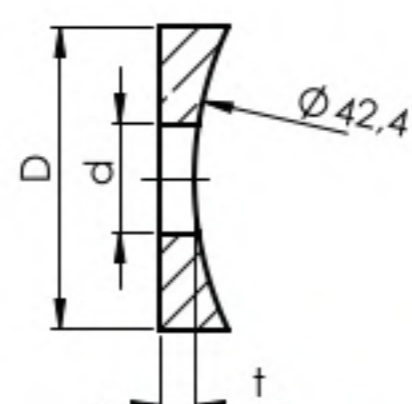
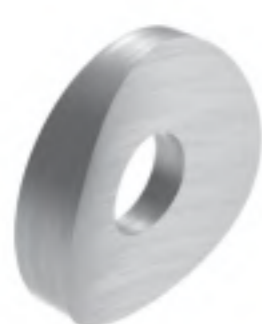
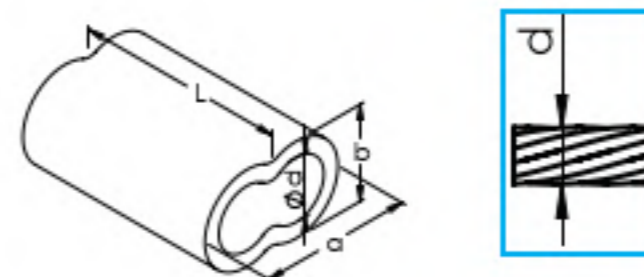
Quality	Finish	art.	d	anchor system
AISI316	satin	A14/7604-005	3-5	C2



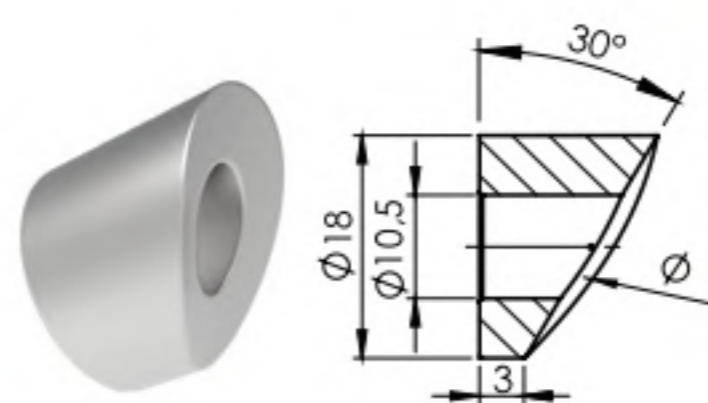
Quality	Finish	art.	d	anchor system
AISI316	satin	A14/7601-005	7	C2



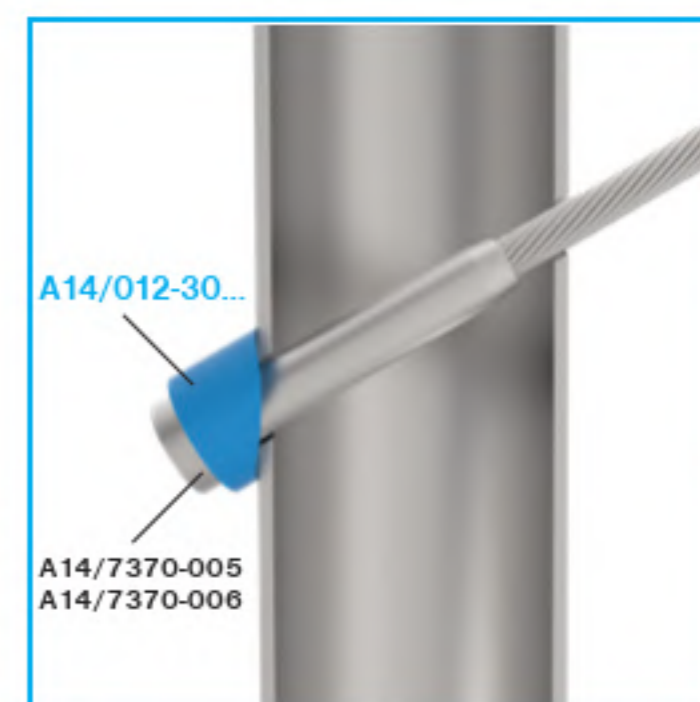
Material	effect	art.	d	L	a	b	anchor system
ALUMINIUM	raw	AL/7405-001	1,5	9	6,3	4,3	C2
		AL/7405-003	3	15	11	7	
		AL/7405-004	4	16	14	9	
		AL/7405-005	5	22	17	11	
		AL/7405-006	6	26	19	12	
		AL/7405-008	8	32	27	17	

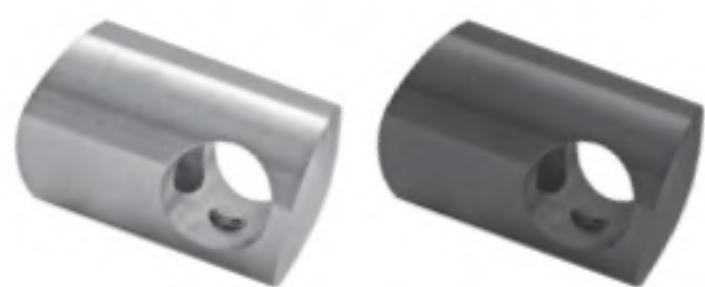


Quality	Finish	art.	t	D	d	anchor system
AISI316	satin	A14/012-02	2	18	6,5	C1
AISI304		A/012-07	7	20	12,5	



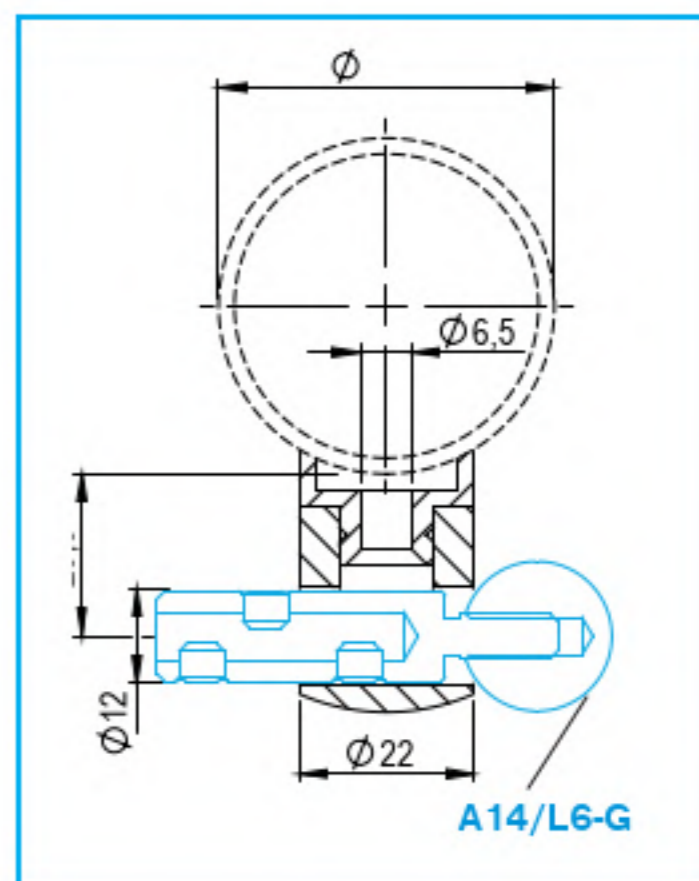
Quality	Finish	art.	∅
AISI316	satin	A14/012-30-000	flat
		A14/012-30-042	42,4





.../0830-042

.../0830-000

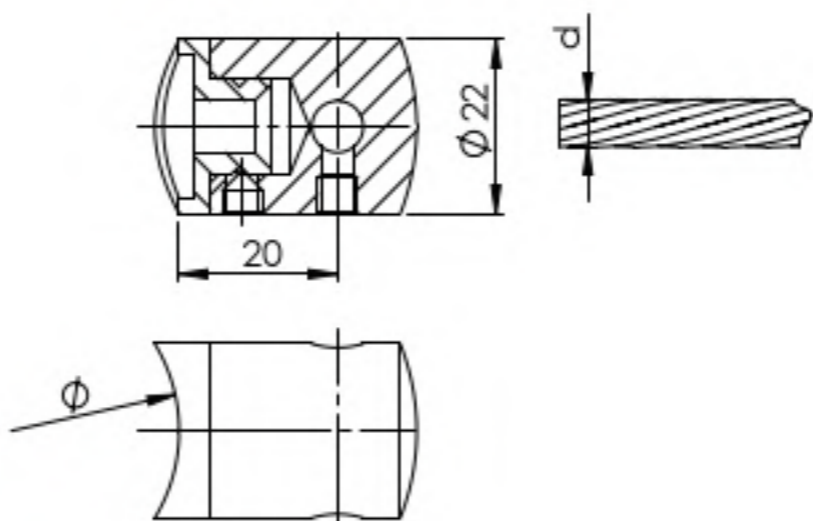


Quality	Finish	art.	anchor system
AISI304	satin	A/0830-000	C5
AISI316		A/0830-000-SCREW	
AISI304	PVD Black	A/0830-042	
AISI316		A-PVD/0830-042	
AISI304	satin	A14/0830-000	
AISI316		A14/0830-042	

*top
new*

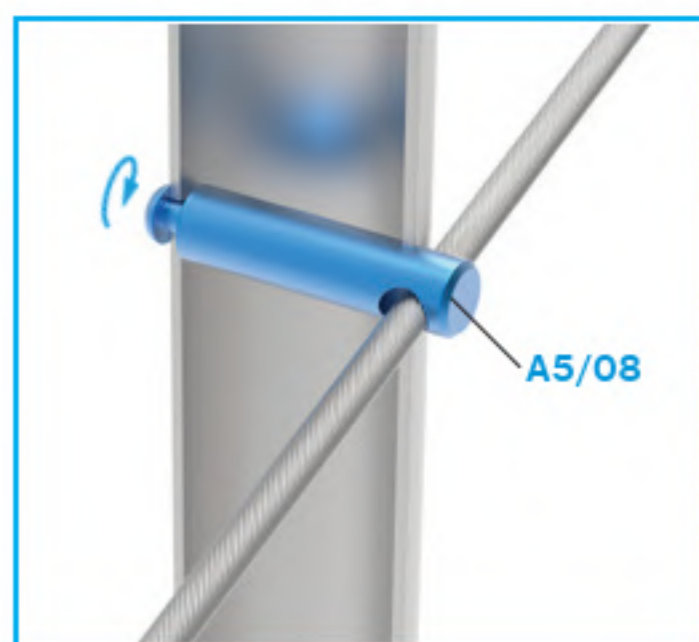
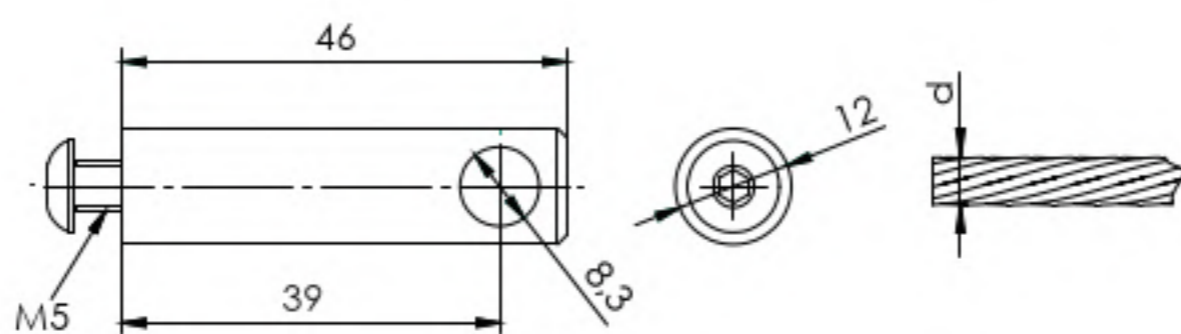
art.	A/0830-042	A-DIN 7991-A2 M5x20
A/0830-042-SET4	4	4
A/0830-042-SET5	5	5

art.	A/0830-000	A-DIN 7991-A2 M5x20
A/0830-000-SET4	4	4
A/0830-000-SET5	5	5

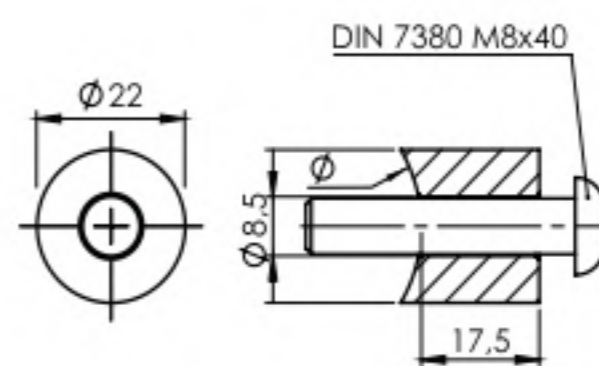
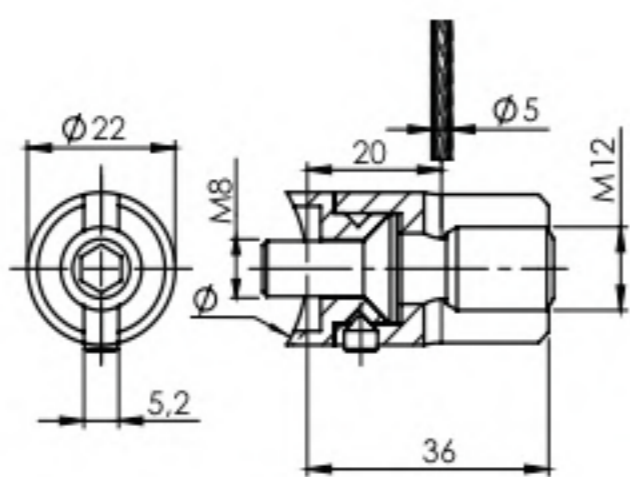


Quality	Finish	Ø	art.	d	anchor system
AISI304	satin	42,4	A17/442	6	C5
AISI316			A14/442-3	3	
AISI316			A14/442	6	
AISI316			A14/400	6	

new



Quality	Finish	art.	d
AISI304	satin	A5/08	4-8

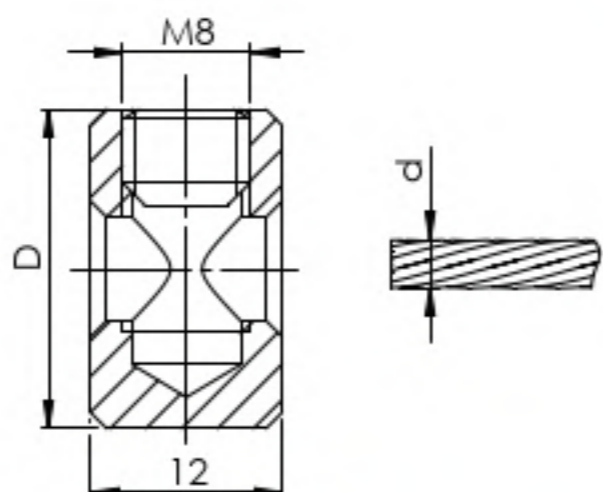


Quality	Finish	Ø	art.
AISI316	satin	flat	A14/7404-5-000
AISI316		42,4	A14/7404-5-042

*new
new*

Quality	Finish	Ø	art.
AISI316	satin	flat	A14/7405-000
AISI316		42,4	A14/7405-042

*new
new*

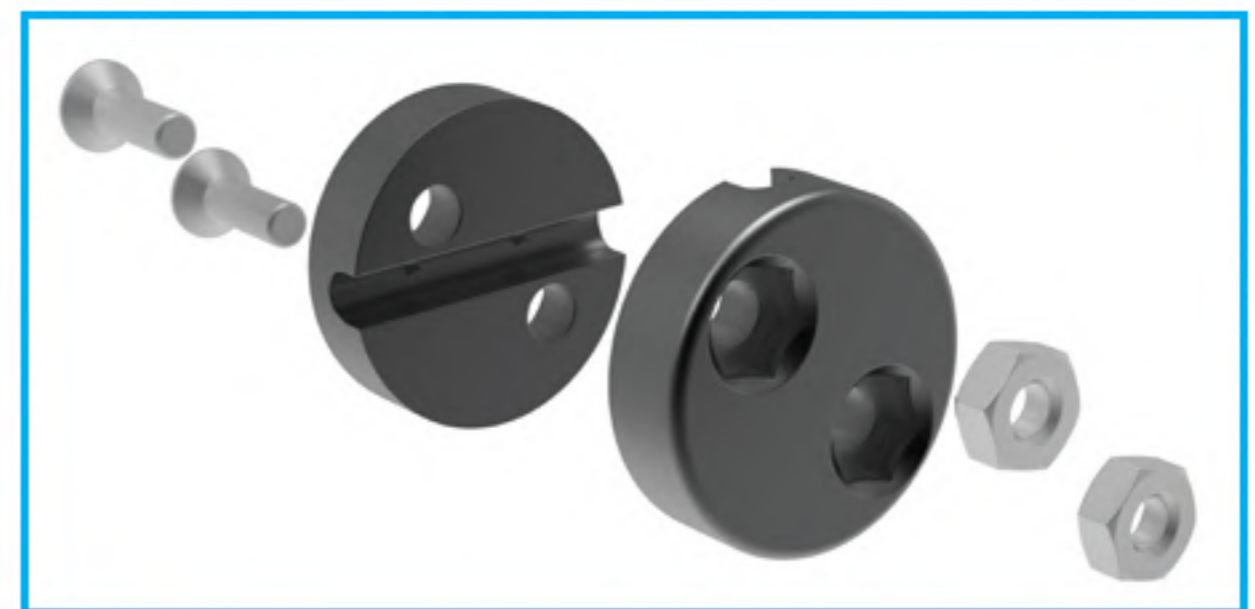
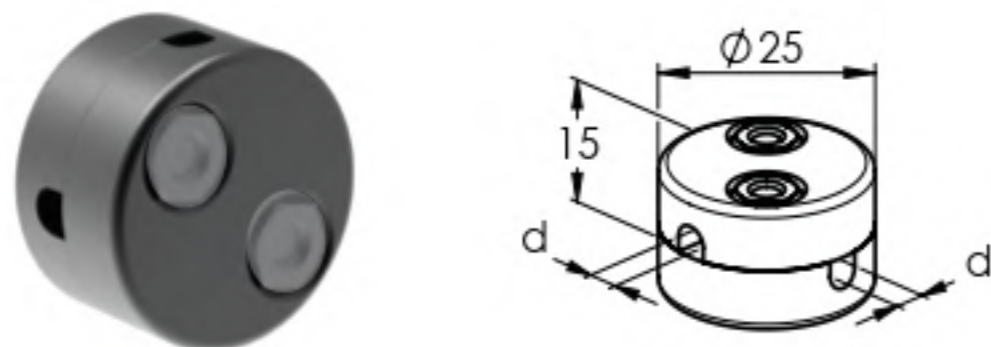


Quality	Finish	art.	d	D	anchor system
AISI316	satin	A14/7400-003	3	18	C1
AISI316		A14/7400-005	3-6	20	

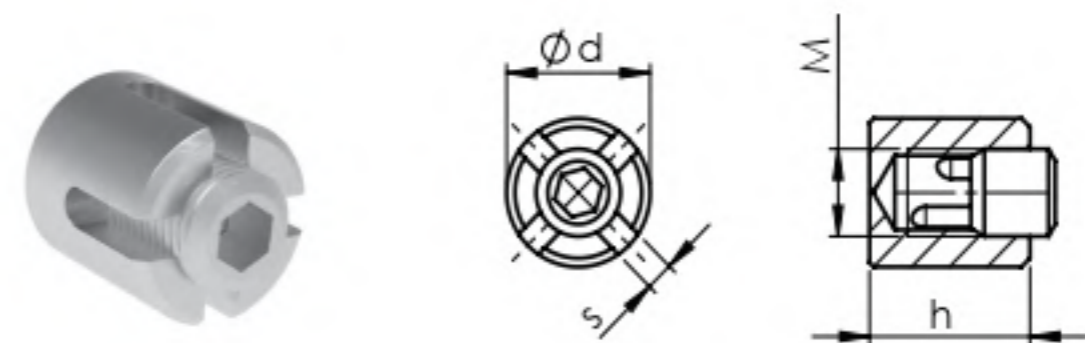
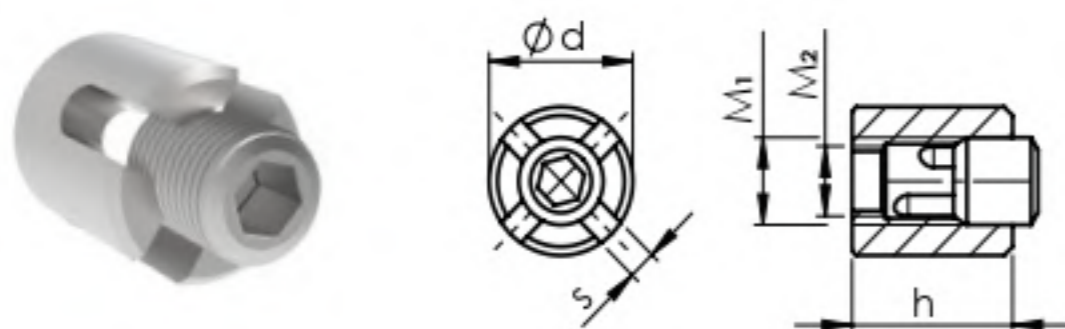


Quality	Finish	art.	d	M	
AISI316	natural	A14/M8-003	3	8	new
		A14/M8-004	4		new

Quality	Finish	art.	d	
PVC	raw	A19/001	1,5	new
		A19/003	3	new
		A19/004	4	new
		A19/005	5	new
		A19/006	6	new
		A19/008	8	new

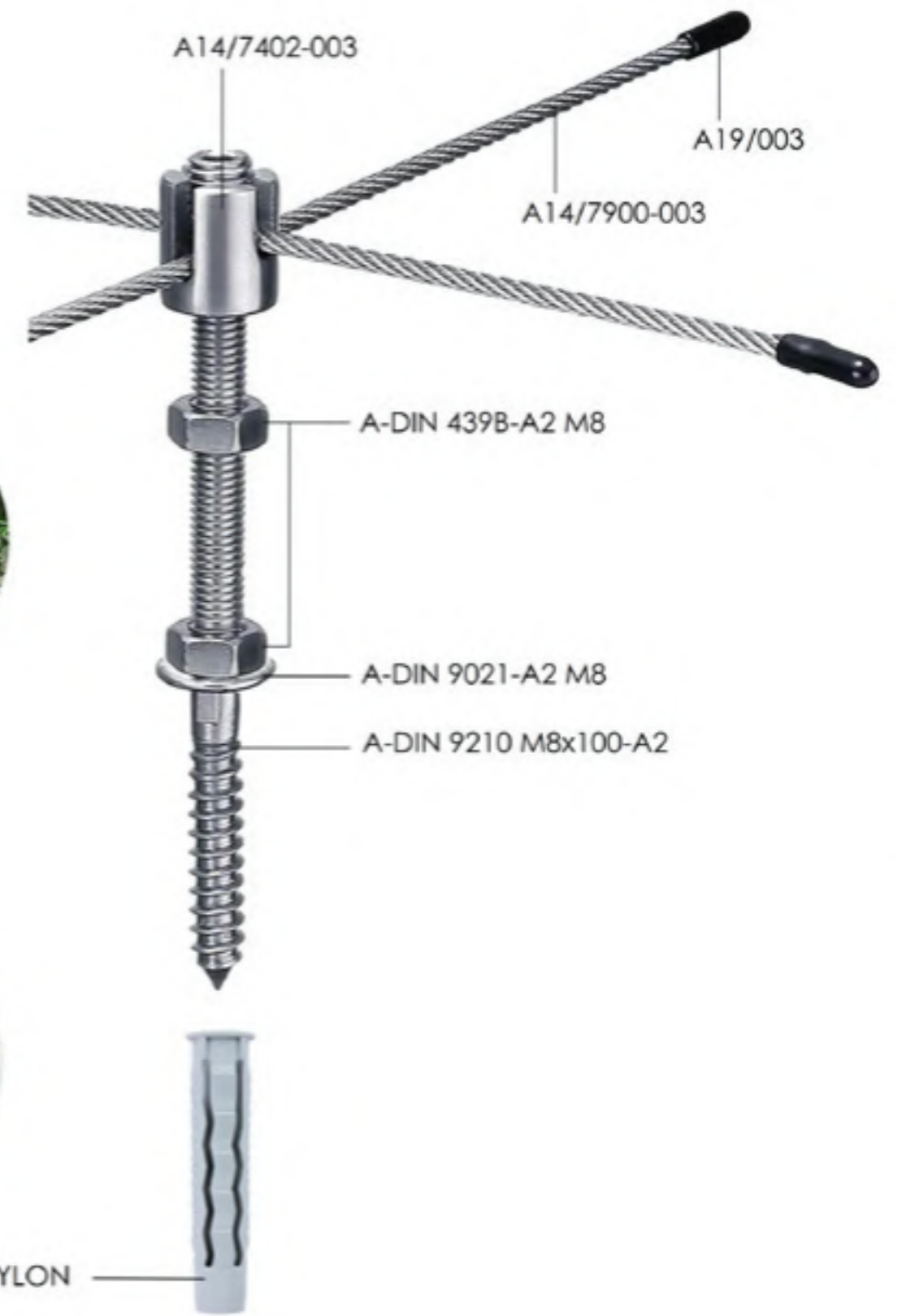
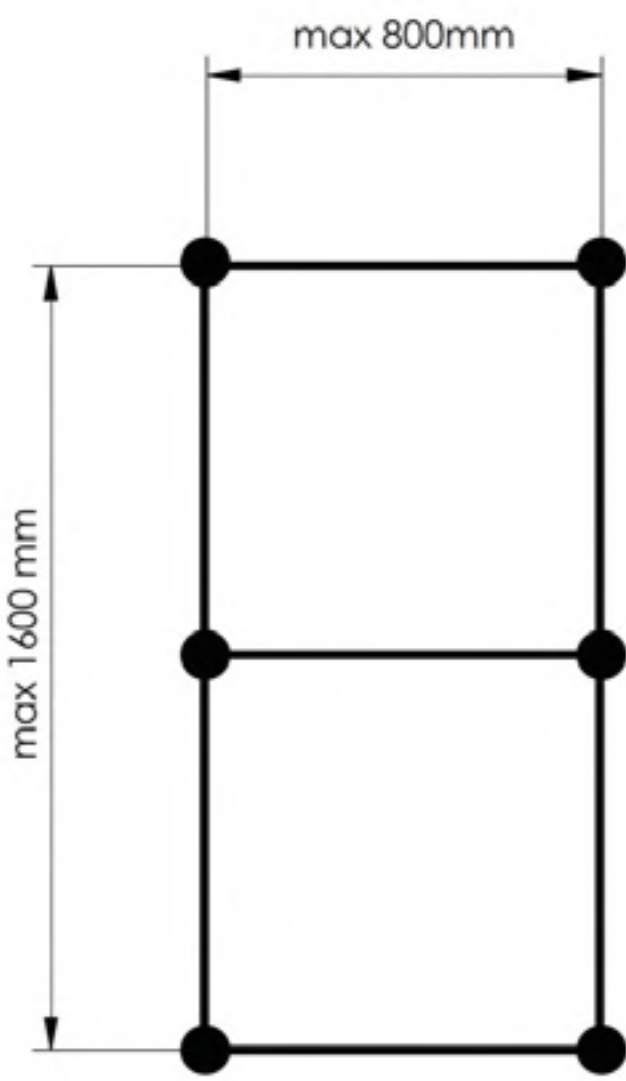


Quality	Finish	art.	M	d	
PA6	black	A19/7406-003	8	3	new
		A19/7406-004		4	new



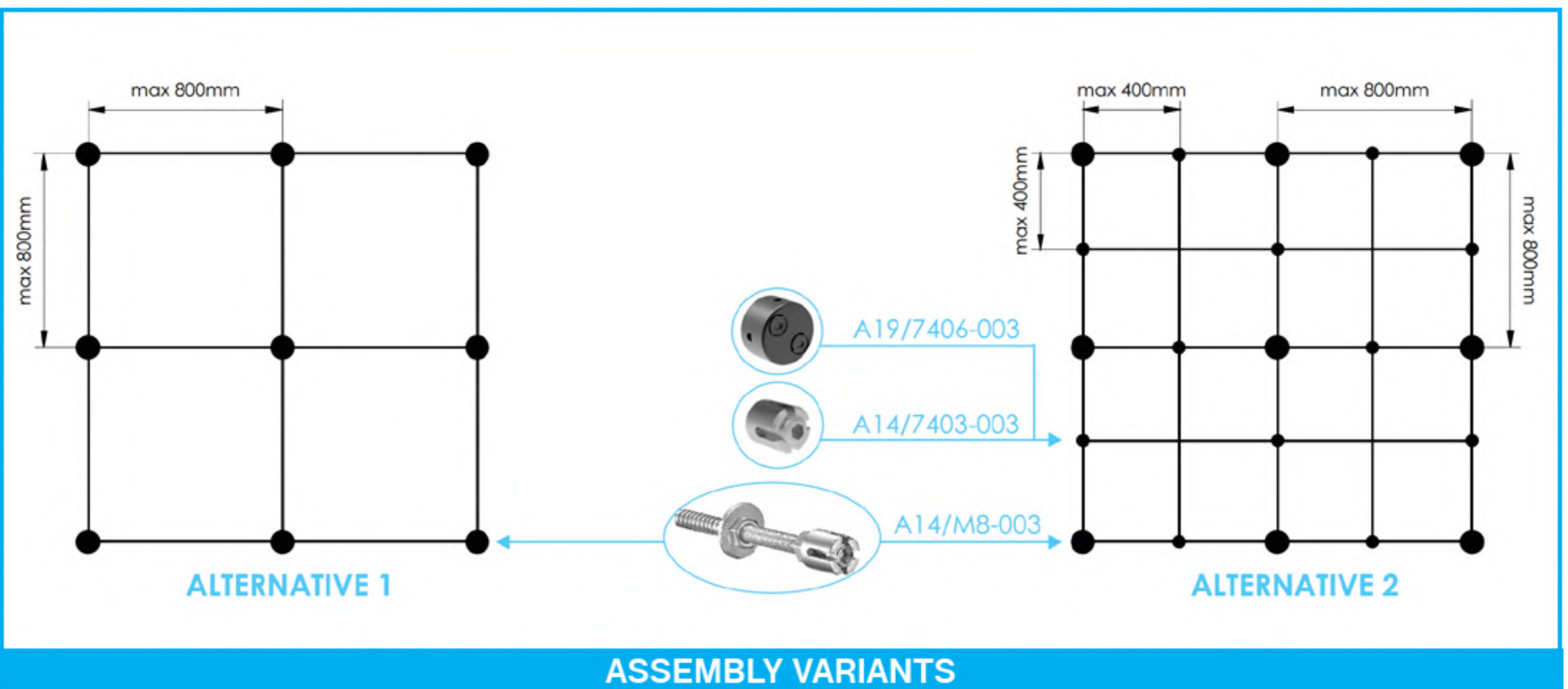
Quality	Finish	art.	M ₁	M ₂	d	s	h	
AISI316	satin	A14/7402-003	10	8	17	3,3	19	new
		A14/7402-004	12	8		4,3	21	new
		A14/7402-005	12		20	5,2	23	
		A14/7402-006	12			6,4	25	new

Quality	Finish	art.	M	d	s	h	
AISI316	satin	A14/7403-003	10	17	3,3	19	new
		A14/7403-004		20	4,3	21	new
		A14/7403-005	12	20	5,3	23	new
		A14/7403-006		20	6,4	25	new



Quality	Finish	art.	M							
AISI304	natural	A/M8-003-800v1600	8							
				A14/7900-003	A19/003	A14/7402-003	A-DIN 9210 M8x100-A2	A-DIN 439B-A2 M8	A-DIN 9021-A2 M8	Q5/07-12 NYLON
				6x	10x	6x	6x	12x	6x	6x

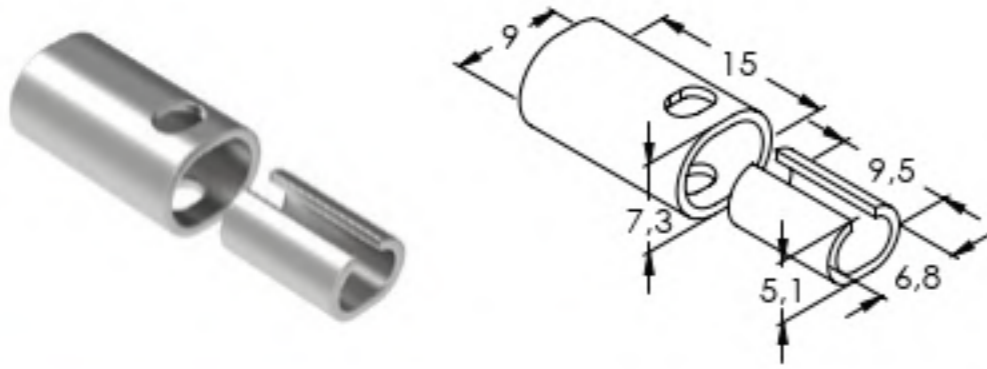
new



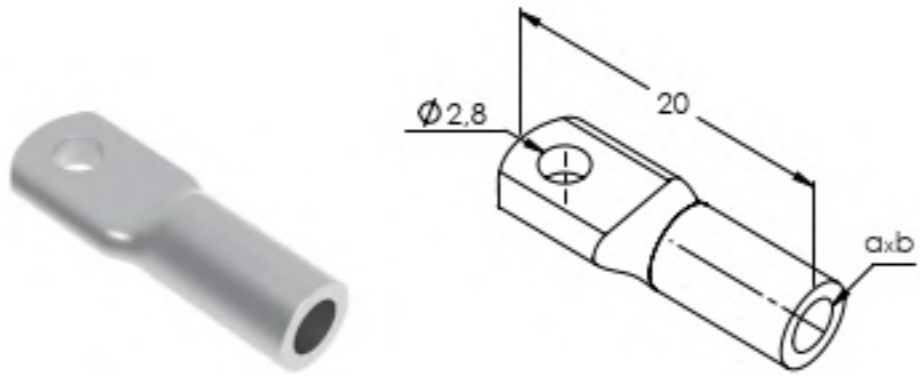
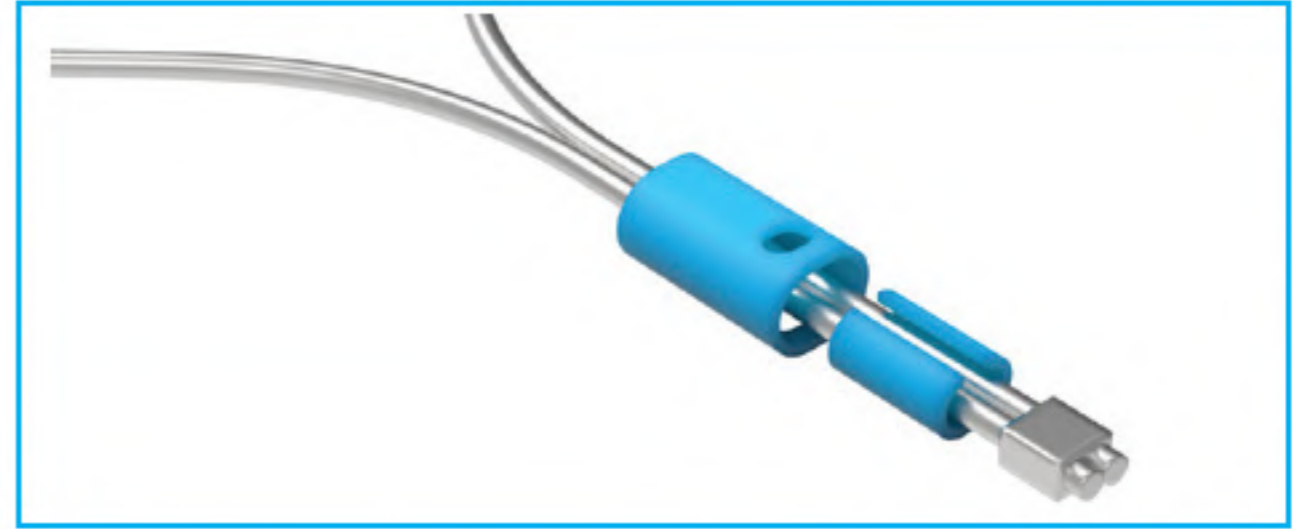
ASSEMBLY VARIANTS

CABLE MESH HOLDERS





Quality	Finish	art.
AISI316	satın	A14/UC-15,0x9,0/1,5

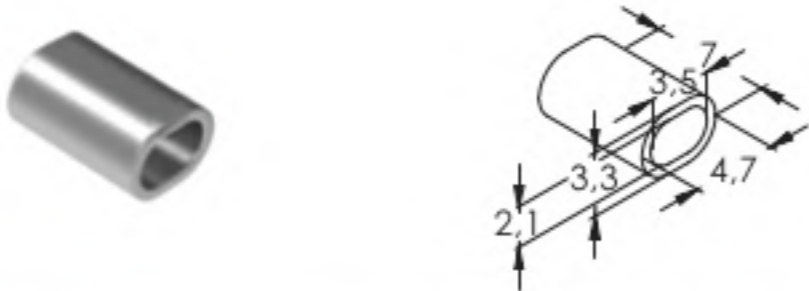


Quality	Finish	art.	a x b
AISI316	satın	A14/O-20x1,5/1,5	1,9x1,7 1 cable (1,5mm)
		A14/O-20x3,0/1,5	3,8x2,3 2 cables (1,5mm)

new
new



Quality	Finish	art.	d
AISI316	satın	A14/CL-7,0x7,5/2,4	2x1,5



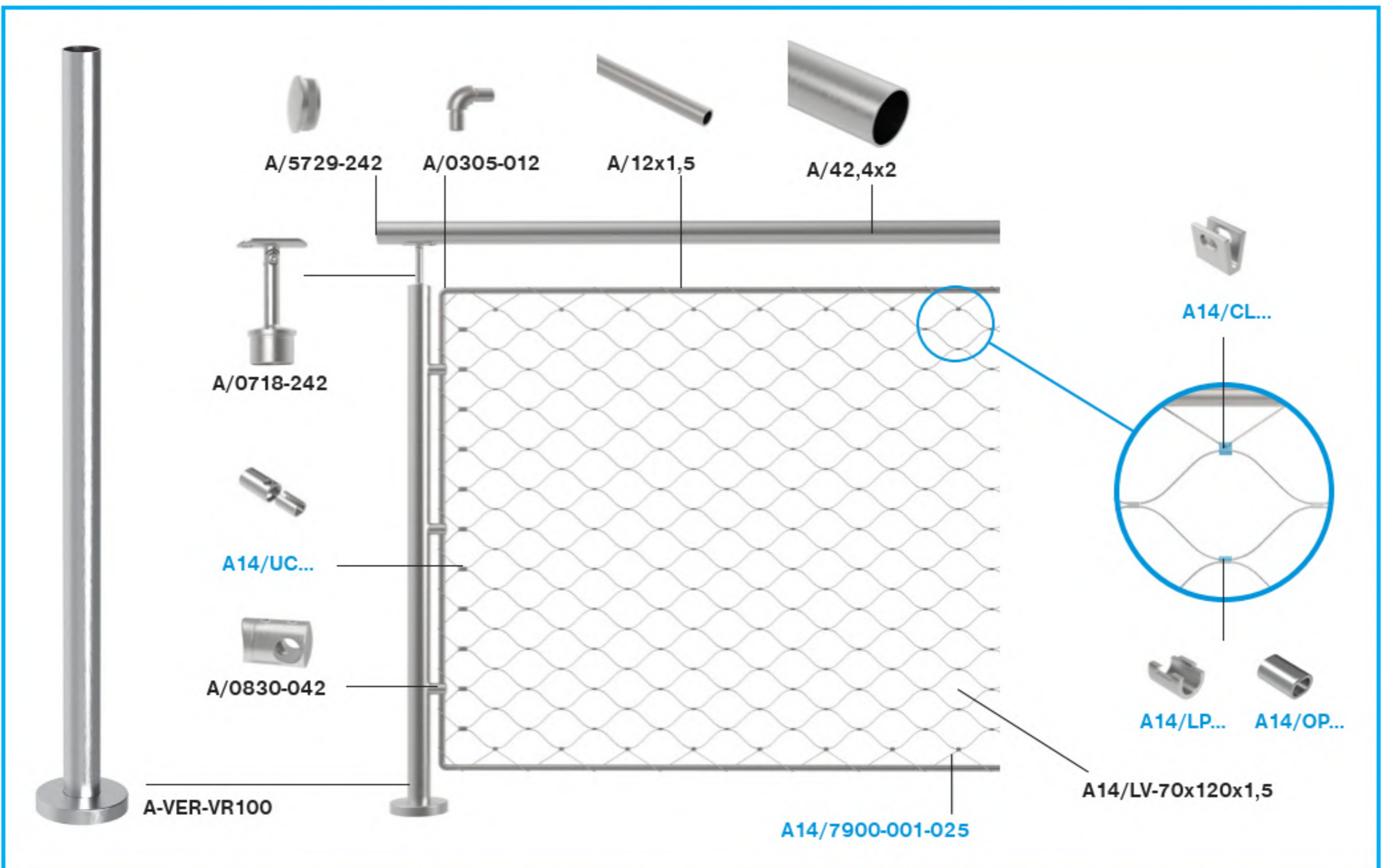
Quality	Finish	art.	d
AISI316	natural	A14/OP-7,0x3,0/1,5	2x1,5

new



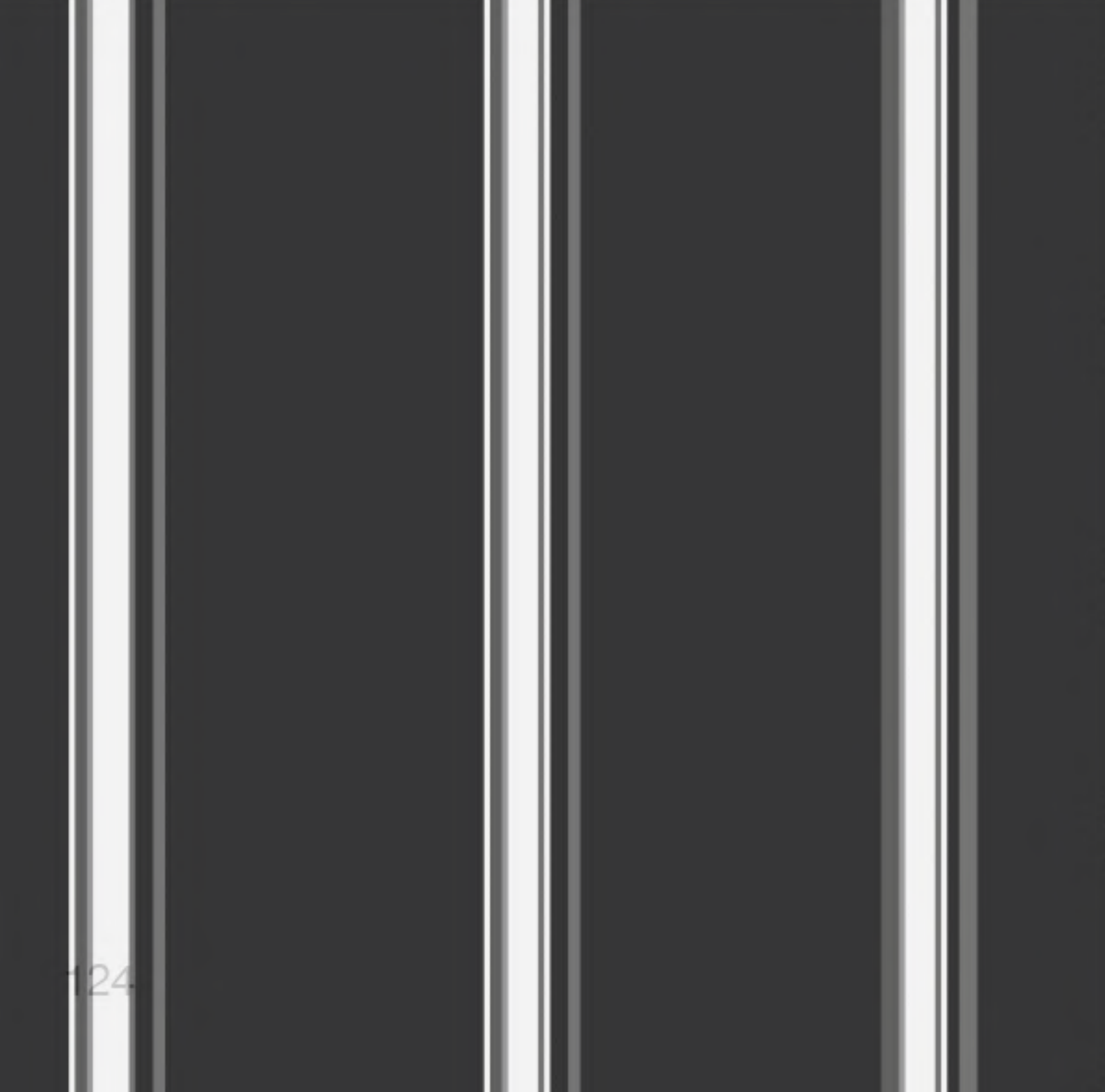
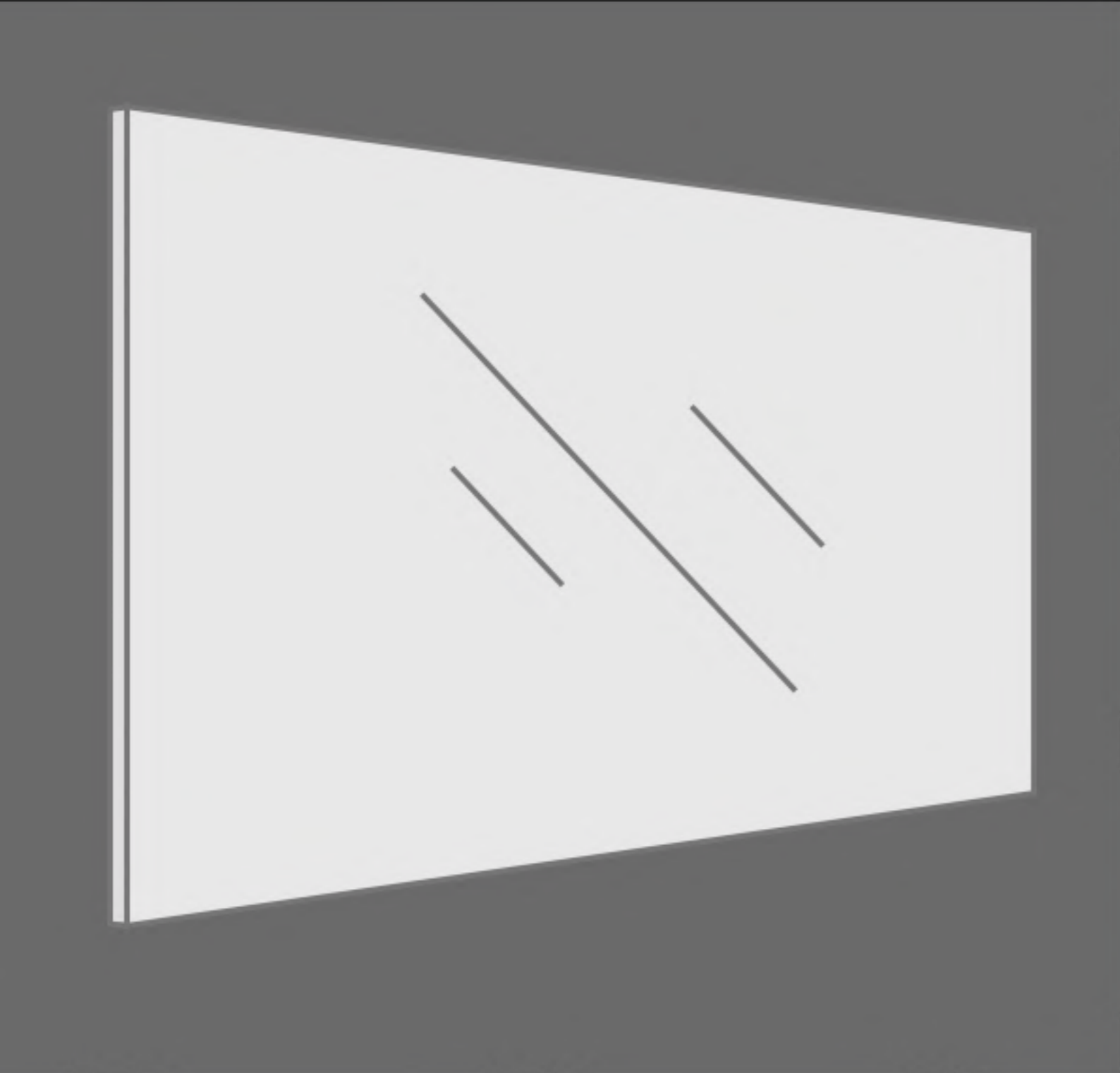
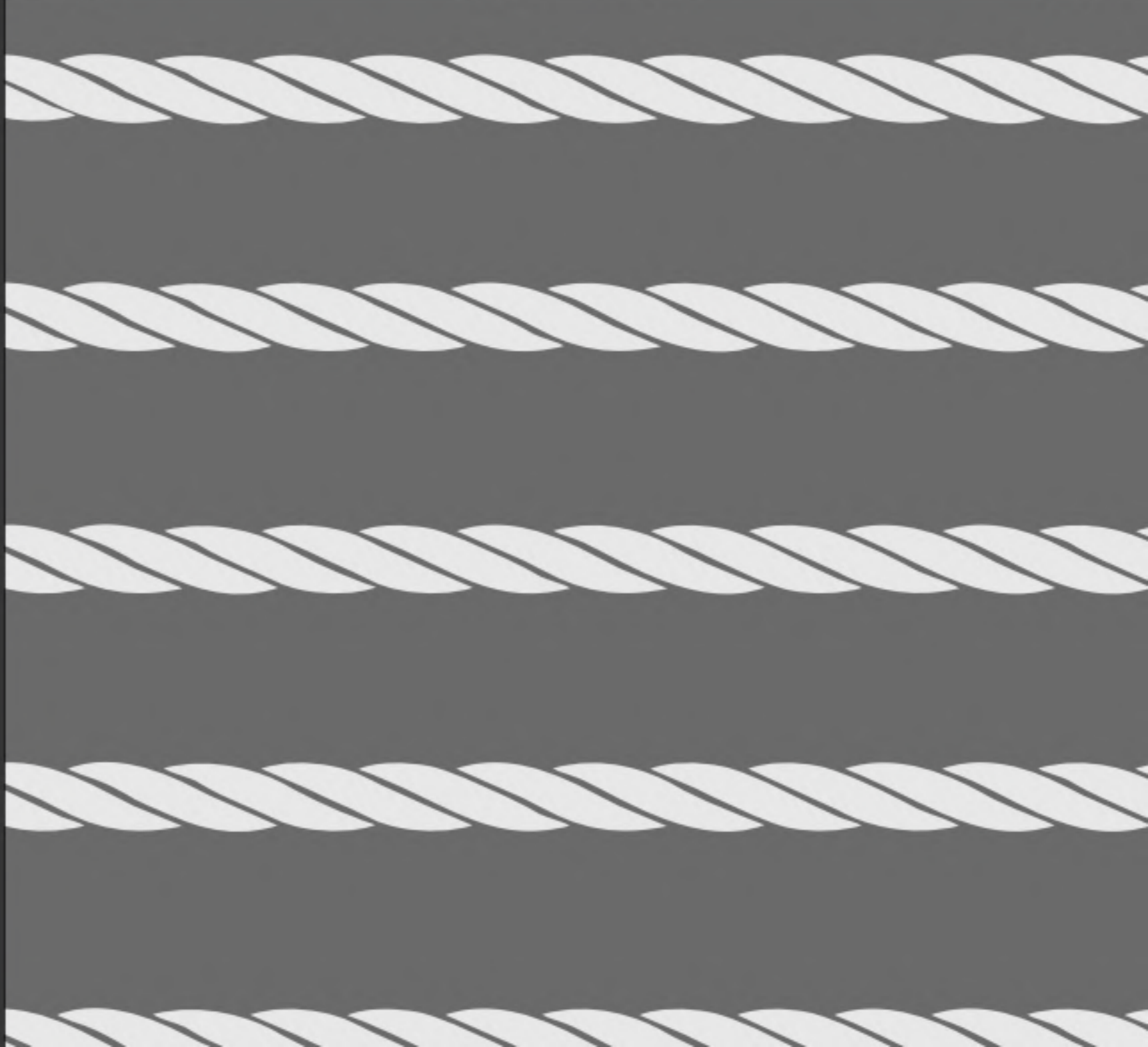
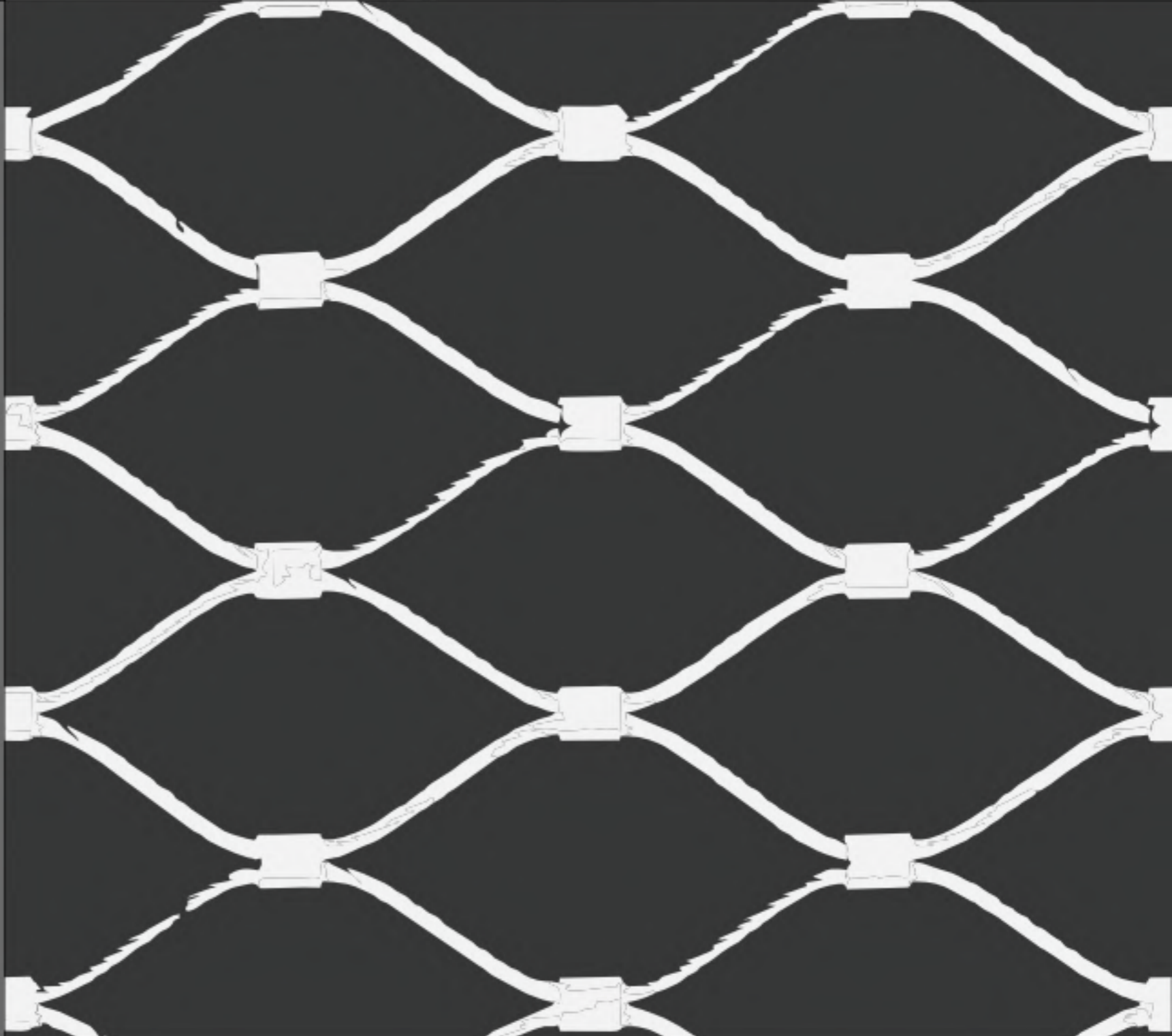
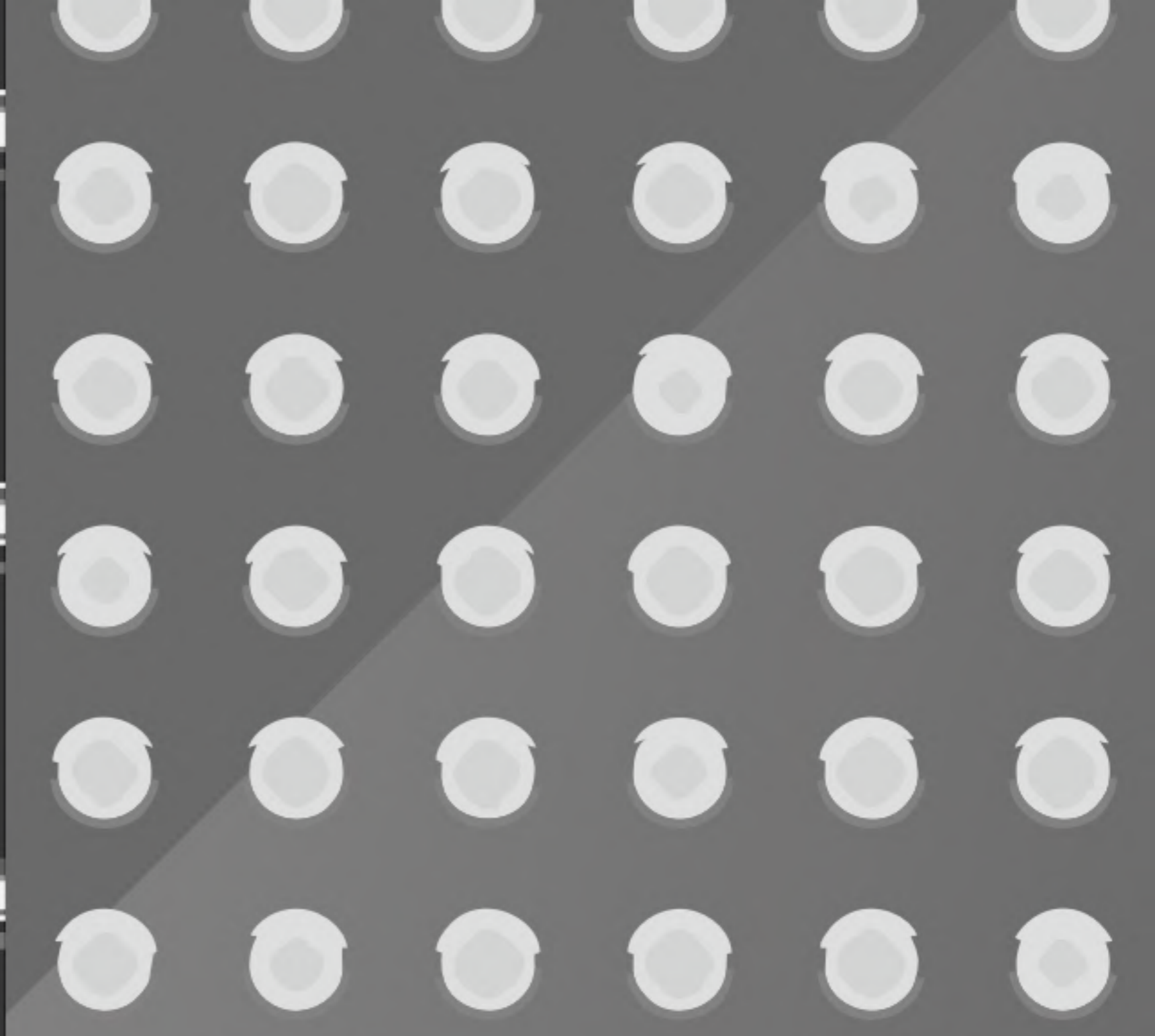
Quality	Finish	art.	d
AISI316	natural	A14/LP-7,0x4,5/1,5	2x1,5

new



3

INFILLS





CABLE MESH INFILLS



GLASS INFILLS

COMPONENTS

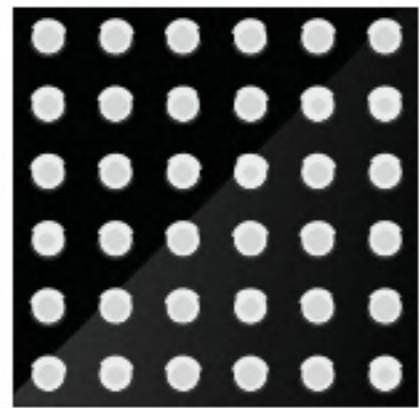


PLATE INFILLS

COMPONENTS

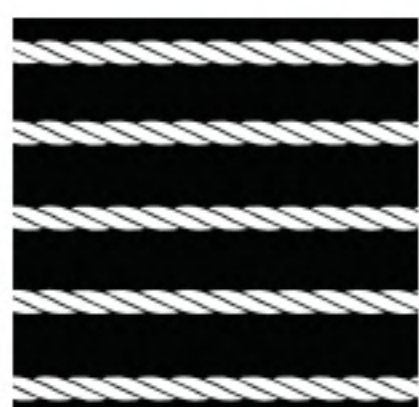


BAR / TUBE INFILLS

COMPONENTS

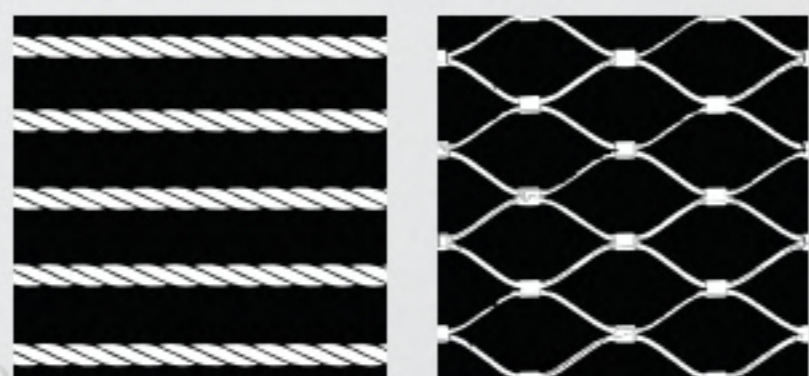
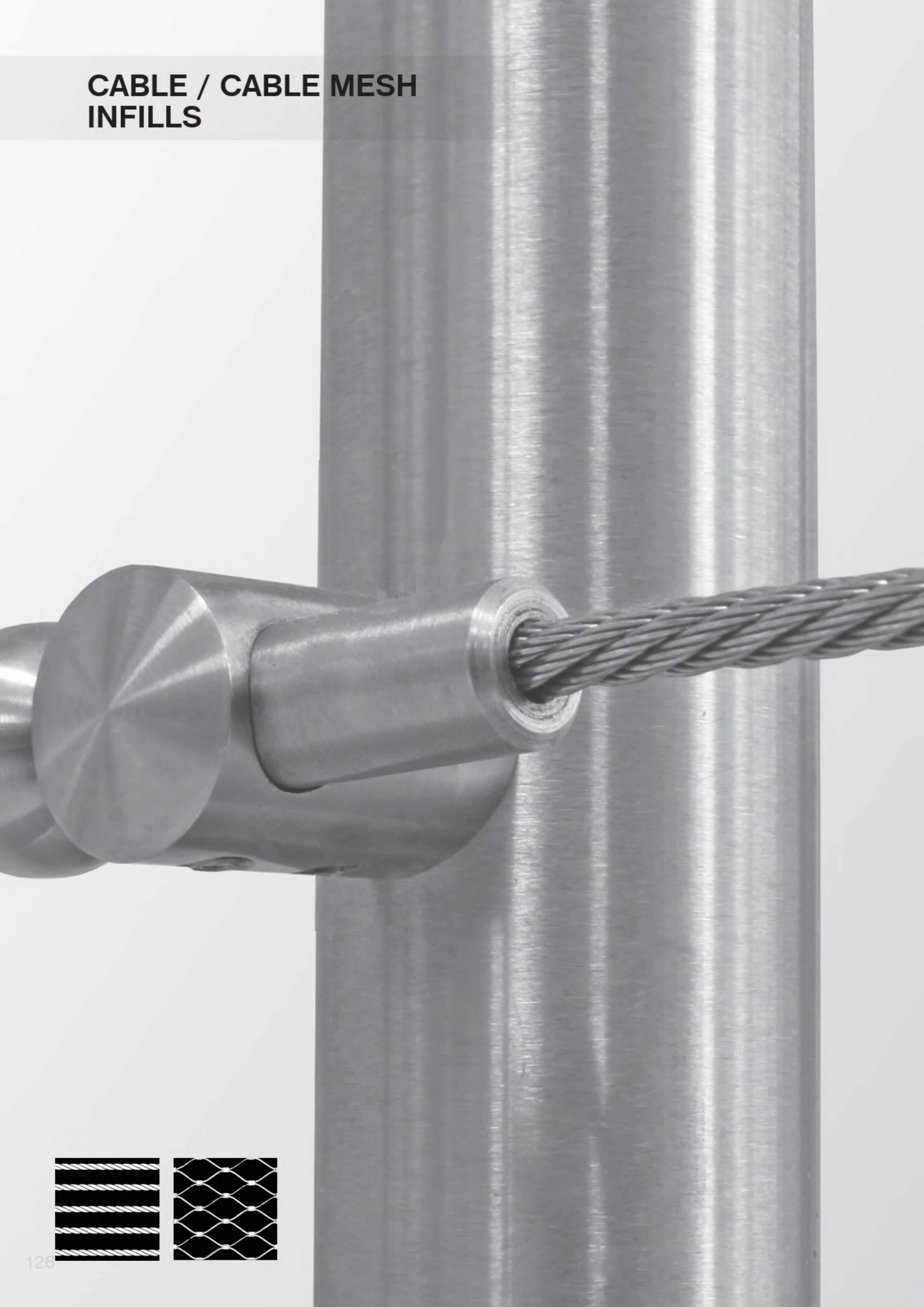


VERTICAL INFILLS



CABLE INFILLS

CABLE / CABLE MESH INFILLS



SYSTEM CABLE



Quality	Finish	art.	d	L (m)
AISI316	raw	A14/7900-001-025	1,5	25
	black	A14-BLACK/7900-001-025		25
	raw	A14/7900-001-100	3	100
		A14/7900-003-012		12,5
		A14/7900-003-025		25
		A14/7900-003-050		50
		A14/7900-003-100		100
		A14/7900-003-200		200
		A14/7900-004-012		12,5
		A14/7900-004-025		25
		A14/7900-004-050		50
		A14/7900-004-100		100
	A14/7900-004-200	200		
	A14/7900-005	5	m	
	A14/7900-005-012		12,5	
	A14/7900-005-025		25	
	A14/7900-005-050		50	
	A14/7900-005-100		100	
	A14/7900-005-200	200		

new

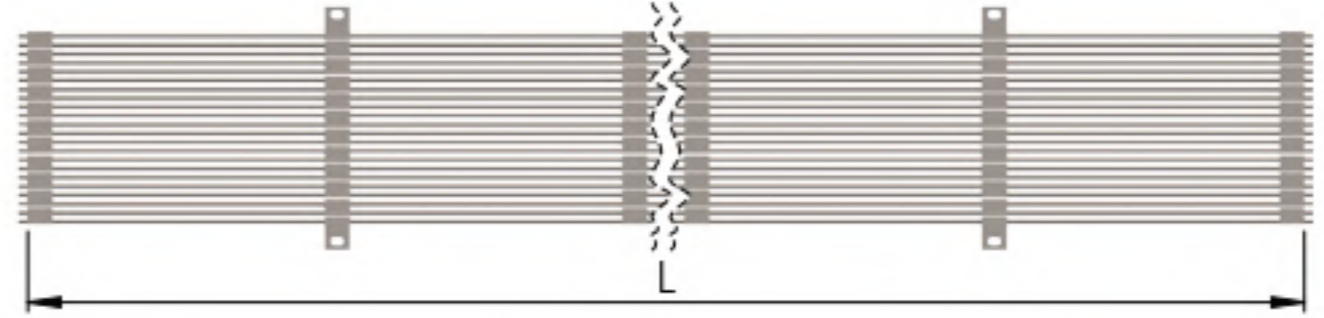
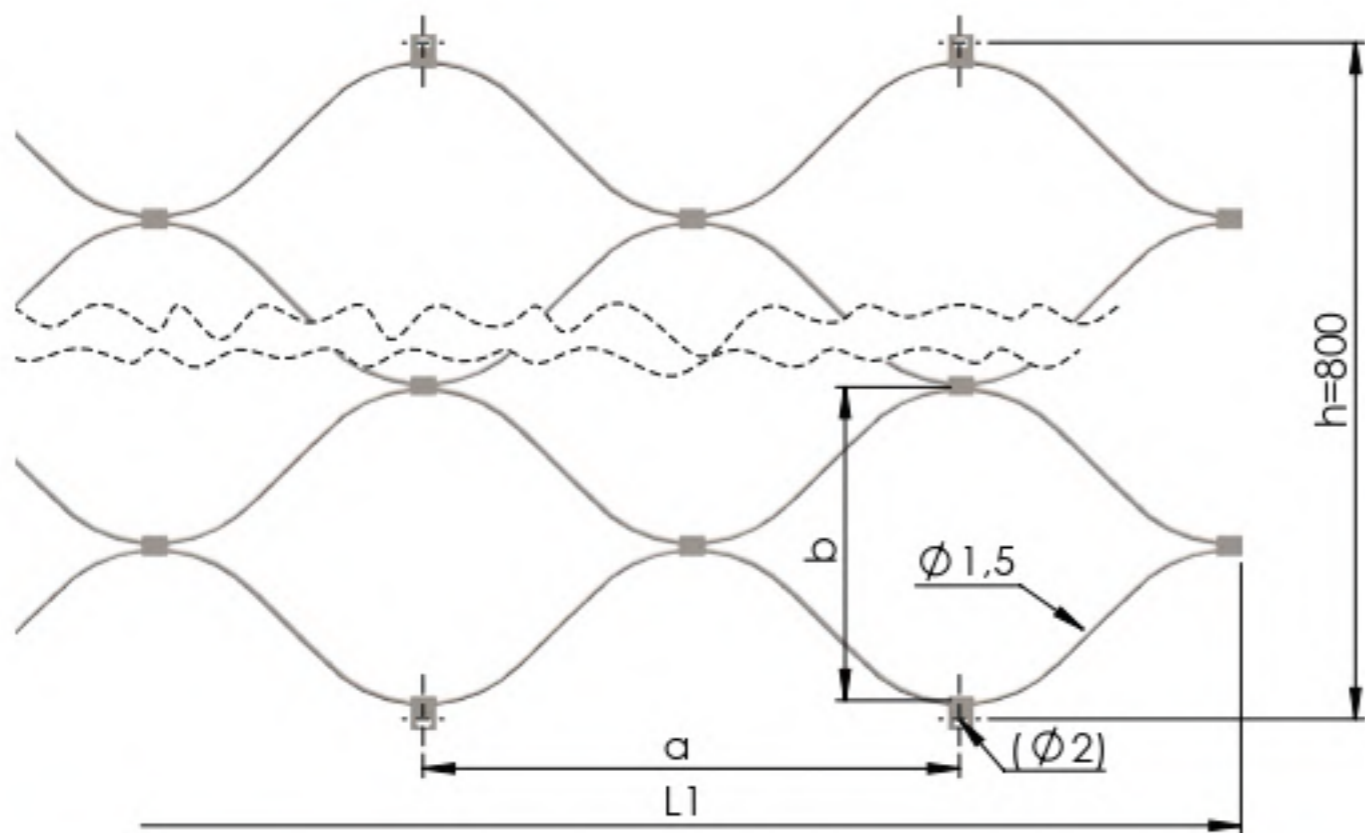
top

Quality	Finish	art.	d	L (m)
AISI316	raw	A14/7900-006-012	6	12,5
		A14/7900-006-025		25
		A14/7900-006-050		50
		A14/7900-006-100	8	100
		A14/7900-006-200		200
		A14/7900-008-050		50
		A14/7900-008-100		100

3

INFILLS

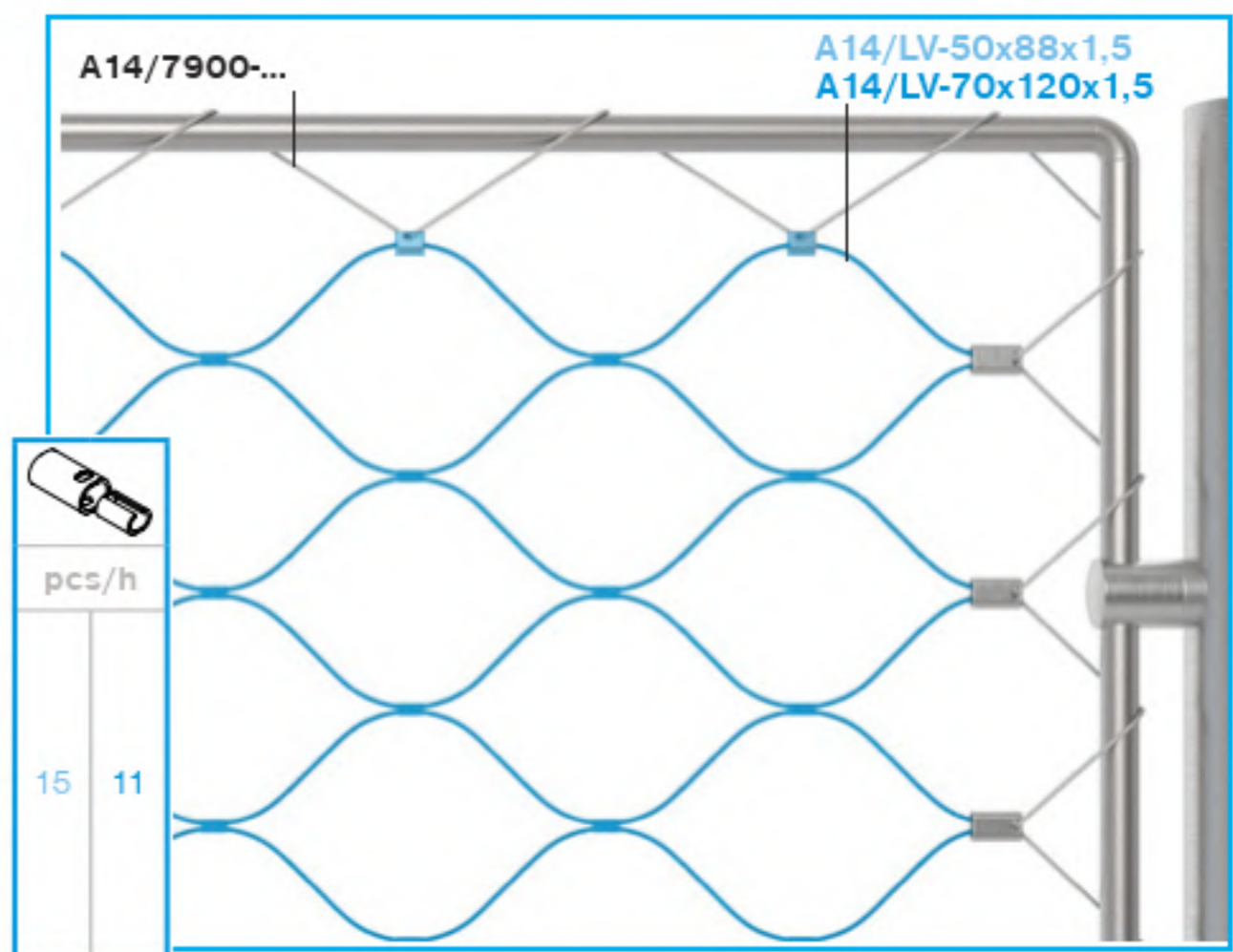
SYSTEM CABLE MESH



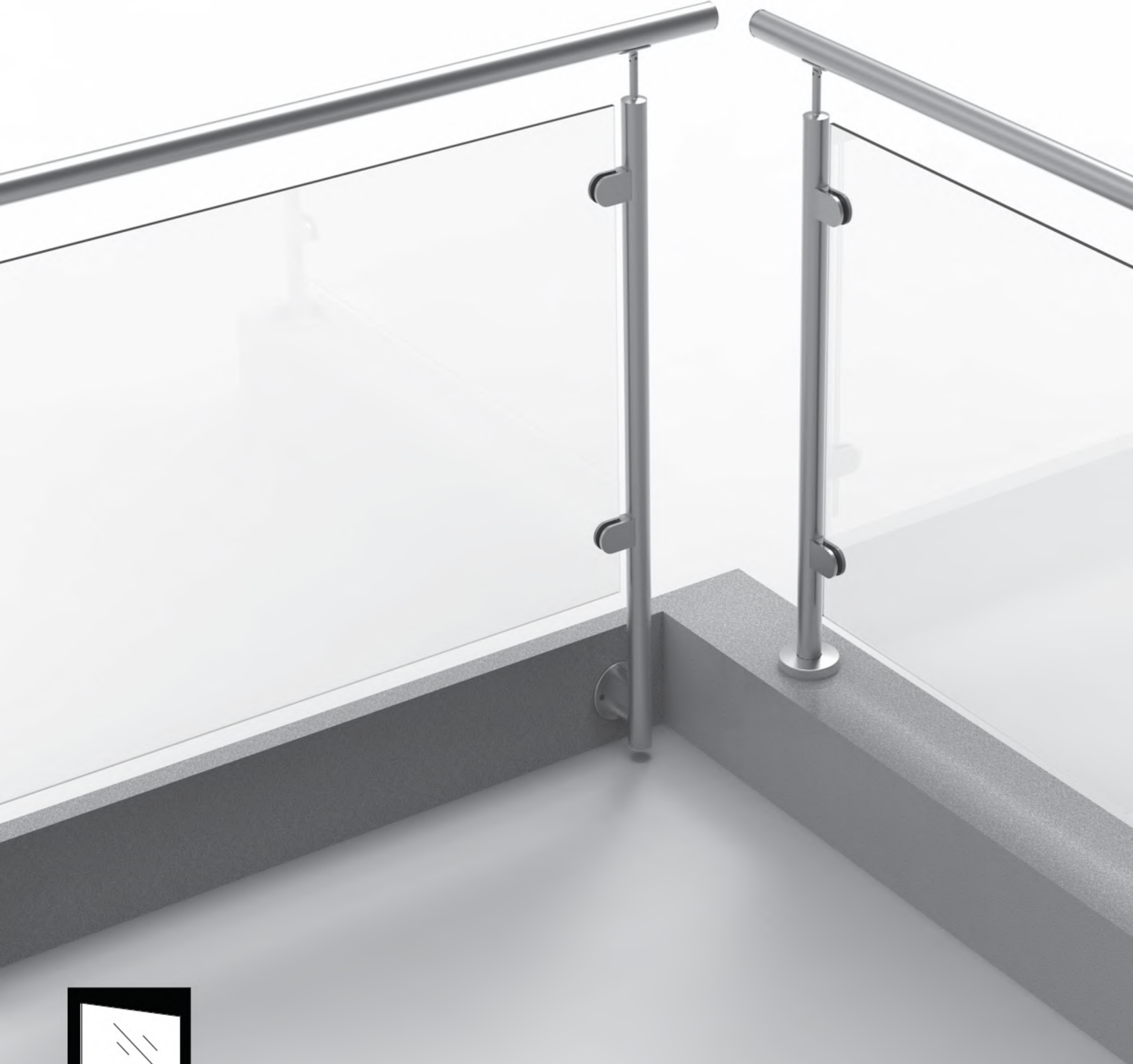
Quality	Finish	art.	L1 (m)	a	b	L (m) (L1x1,15)	L (m) (L1x1,18)	h
AISI316	raw	A14/LV-50x88x1,5	m/1,15	88	50	m		750
		A14/LV-50x88x1,5-5	5			5,75		
		A14/LV-50x88x1,5-10	10			11,5		
		A14/LV-50x88x1,5-100	100			115		
		A14/LV-70x120x1,5	m/1,18			m		
		A14/LV-70x120x1,5-5	5			5,8		
		A14/LV-70x120x1,5-10	10			11,8		
		A14/LV-70x120x1,5-100	100			118		
		A14-BL/LV-70x120x1,5	m/1,18			m		
		black	A14-BL/LV-70x120x1,5-5			5	120	
	A14-BL/LV-70x120x1,5-10	10	11,8					
	red	A14-RED/LV-70x120x1,5-5	5	5,8				
	A14-RED/LV-70x120x1,5-10	10	11,8					
	white	A14-WH/LV-70x120x1,5-5	5	5,8				
	A14-WH/LV-70x120x1,5-10	10	11,8					

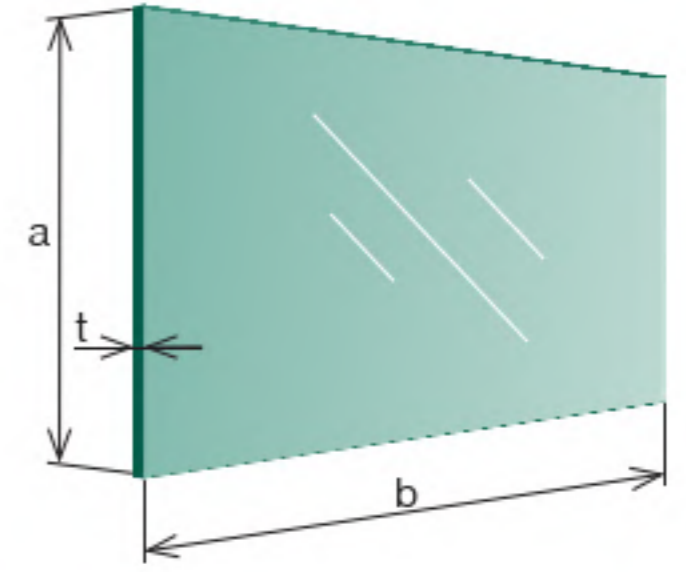
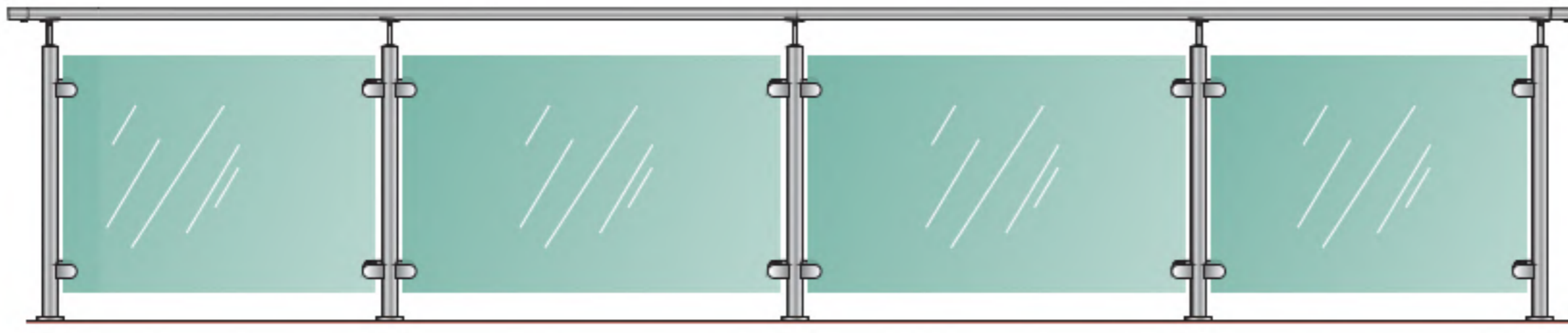
new
new

new
new
new
new
new
new



GLASS INFILLS





Quality	art.	t	a	b				
VSG/ESG 4.4.2	GS/8,76-75x40-VSG/ESG	8,76		400	new			
	GS/8,76-75x50-VSG/ESG			500	new			
	GS/8,76-75x60-VSG/ESG			600	new			
	GS/8,76-75x70-VSG/ESG			700				
	GS/8,76-75x80-VSG/ESG			800				
	GS/8,76-75x82,5-VSG/ESG			825	new			
	GS/8,76-75x85-VSG/ESG			850	new			
	GS/8,76-75x87,5-VSG/ESG			875	new			
	GS/8,76-75x90-VSG/ESG			900				
	GS/8,76-75x92,5-VSG/ESG			925	new			
	GS/8,76-75x95-VSG/ESG			950	new			
	GS/8,76-75x97,5-VSG/ESG			975	new			
	GS/8,76-75x100-VSG/ESG			1000				
	GS/10,76-75x50-VSG/ESG			10,76	750	500	new	
	GS/10,76-75x60-VSG/ESG					600	new	
GS/10,76-75x70-VSG/ESG	700	new						
GS/10,76-75x80-VSG/ESG	800	new						
GS/10,76-75x82,5-VSG/ESG	825	new						
GS/10,76-75x85-VSG/ESG	850	new						
GS/10,76-75x87,5-VSG/ESG	875	new						
GS/10,76-75x90-VSG/ESG	900	new						
GS/10,76-75x92,5-VSG/ESG	925	new						
GS/10,76-75x95-VSG/ESG	950	new						
GS/10,76-75x97,5-VSG/ESG	975	new						
GS/10,76-75x100-VSG/ESG	1000	new						
GS/10,76-75x110-VSG/ESG	1100							
GS/10,76-75x120-VSG/ESG	1200							
VSG/ESG 6.6.2	GS/12,76-100x60-VSG/ESG	12,76	1000			600		
	GS/12,76-100x70-VSG/ESG			700				
	GS/12,76-100x80-VSG/ESG			800				
	GS/12,76-100x90-VSG/ESG			900				
	GS/12,76-100x95-VSG/ESG			950				
	GS/12,76-100x100-VSG/ESG			1000				
	GS/12,76-110x60-VSG/ESG			600	new			
	GS/12,76-110x70-VSG/ESG			700	new			
	GS/12,76-110x80-VSG/ESG			800	new			
	GS/12,76-110x90-VSG/ESG			900	new			
	GS/12,76-110x95-VSG/ESG			950	new			
	GS/12,76-110x100-VSG/ESG			1000	new			
	VSG/ESG 8.8.2			GS/16,76-100x40-VSG/ESG	16,76	1000	400	
				GS/16,76-100x50-VSG/ESG			500	
				GS/16,76-100x60-VSG/ESG			600	
GS/16,76-100x70-VSG/ESG		700						
GS/16,76-100x80-VSG/ESG		800						
GS/16,76-100x82,5-VSG/ESG		825	new					
GS/16,76-100x85-VSG/ESG		850	new					
GS/16,76-100x87,5-VSG/ESG		875	new					
GS/16,76-100x90-VSG/ESG		900						
GS/16,76-100x92,5-VSG/ESG		925	new					
GS/16,76-100x95-VSG/ESG		950						
GS/16,76-100x97,5-VSG/ESG		975	new					
GS/16,76-100x100-VSG/ESG		1000						

Quality	art.	t	a	b	
VSG/ESG 8.8.2	GS/16,76-110x40-VSG/ESG	16,76	1100	400	new
	GS/16,76-110x50-VSG/ESG			500	new
	GS/16,76-110x60-VSG/ESG			600	
	GS/16,76-110x70-VSG/ESG			700	
	GS/16,76-110x80-VSG/ESG			800	
	GS/16,76-110x82,5-VSG/ESG			825	new
	GS/16,76-110x85-VSG/ESG			850	new
	GS/16,76-110x87,5-VSG/ESG			875	new
	GS/16,76-110x90-VSG/ESG			900	
	GS/16,76-110x92,5-VSG/ESG			925	new
	GS/16,76-110x95-VSG/ESG			950	
	GS/16,76-110x97,5-VSG/ESG			975	new
	GS/16,76-110x100-VSG/ESG			1000	
	GS/16,76-110x110-VSG/ESG			1100	
	GS/16,76-120x40-VSG/ESG			400	
	GS/16,76-120x50-VSG/ESG			500	
	GS/16,76-120x60-VSG/ESG			600	
	GS/16,76-120x70-VSG/ESG			700	
	GS/16,76-120x80-VSG/ESG			800	
	GS/16,76-120x82,5-VSG/ESG			825	new
	GS/16,76-120x85-VSG/ESG			850	new
GS/16,76-120x87,5-VSG/ESG	875	new			
GS/16,76-120x90-VSG/ESG	900				
GS/16,76-120x92,5-VSG/ESG	925	new			
GS/16,76-120x95-VSG/ESG	950				
GS/16,76-120x97,5-VSG/ESG	975	new			
GS/16,76-120x100-VSG/ESG	1000				
GS/16,76-120x110-VSG/ESG	1100				
GS/16,76-120x120-VSG/ESG	1200	new			
ULTRA CLEAR VSG/ESG 8.8.4	GSU/17,52-110x80-VSG/ESG	17,52	1100	800	new
	GSU/17,52-110x82,5-VSG/ESG			825	new
	GSU/17,52-110x85-VSG/ESG			850	new
	GSU/17,52-110x87,5-VSG/ESG			875	new
	GSU/17,52-110x90-VSG/ESG			900	new
	GSU/17,52-110x92,5-VSG/ESG			925	new
	GSU/17,52-110x95-VSG/ESG			950	new
	GSU/17,52-110x97,5-VSG/ESG			975	new
	GSU/17,52-110x100-VSG/ESG			1000	new
	GSU/17,52-110x110-VSG/ESG			1100	new
	GSU/17,52-110x120-VSG/ESG			1200	new
	GSU/17,52-110x130-VSG/ESG			1300	new
	GSU/17,52-110x140-VSG/ESG			1400	new
	GSU/17,52-110x150-VSG/ESG			1500	new

VSG Glass	4.4.1	4.4.2	5.5.1	5.5.2	6.6.1	6.6.2	8.8.2	8.8.4	8.8.8.2.2
t1	2x4	2x4	2x5	2x5	2x6	2x6	2x8	2x8	3x8
t2	0,38	0,76	0,38	0,76	0,38	0,76	0,76	1,52	2x0,76
t	8,38	8,76	10,38	10,76	12,38	12,76	16,76	17,52	25,52

Glass	FLOAT, ESG								
t1 (mm)	3	4	5	6	8	10	12	15	19
Tolerance (± mm)	0,2	0,2	0,2	0,2	0,3	0,3	0,3	0,5	1,0
Weight (kg/m ²)	7,5	10	12,5	15	20	25	30	37,5	47,5

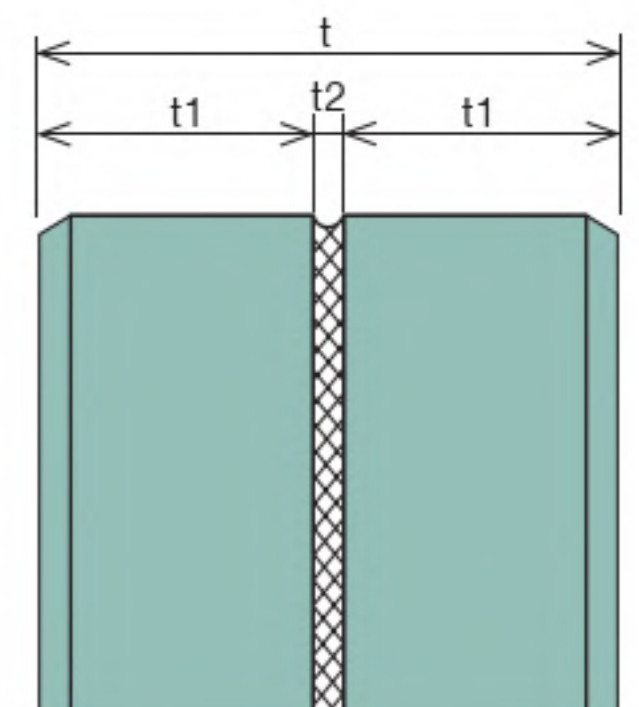
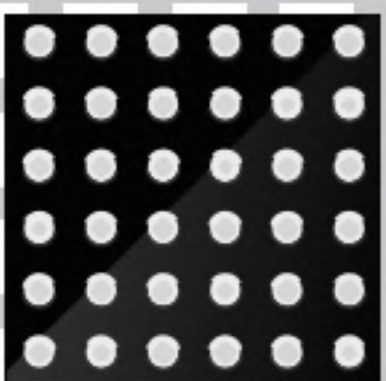
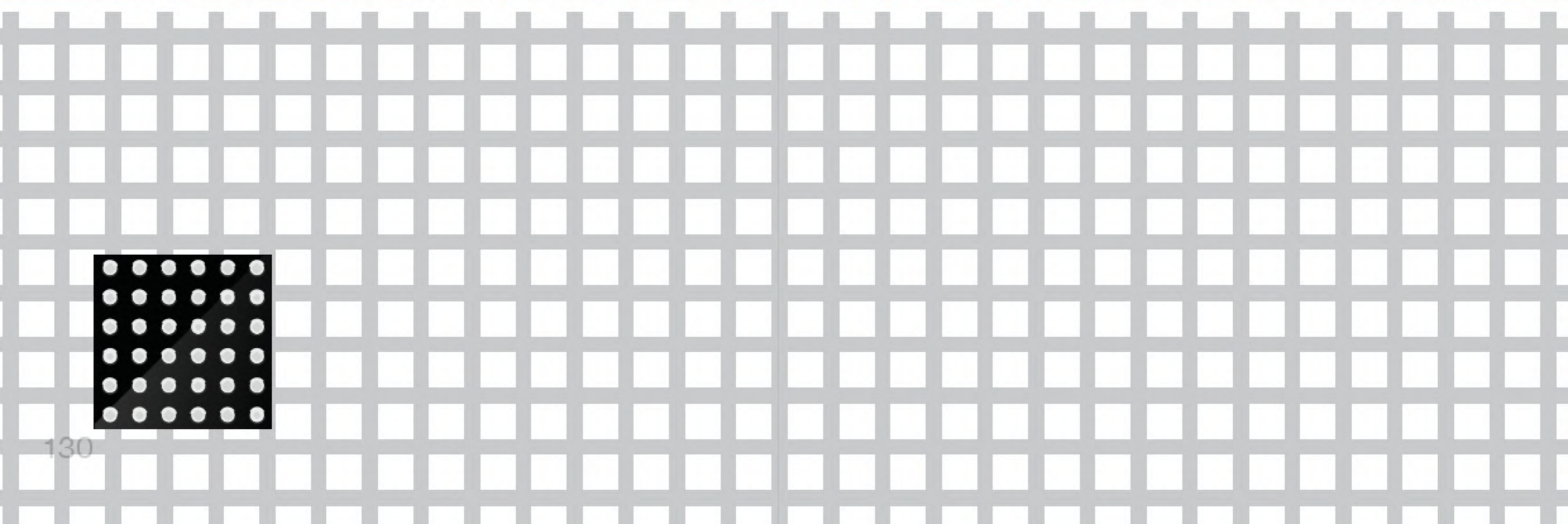
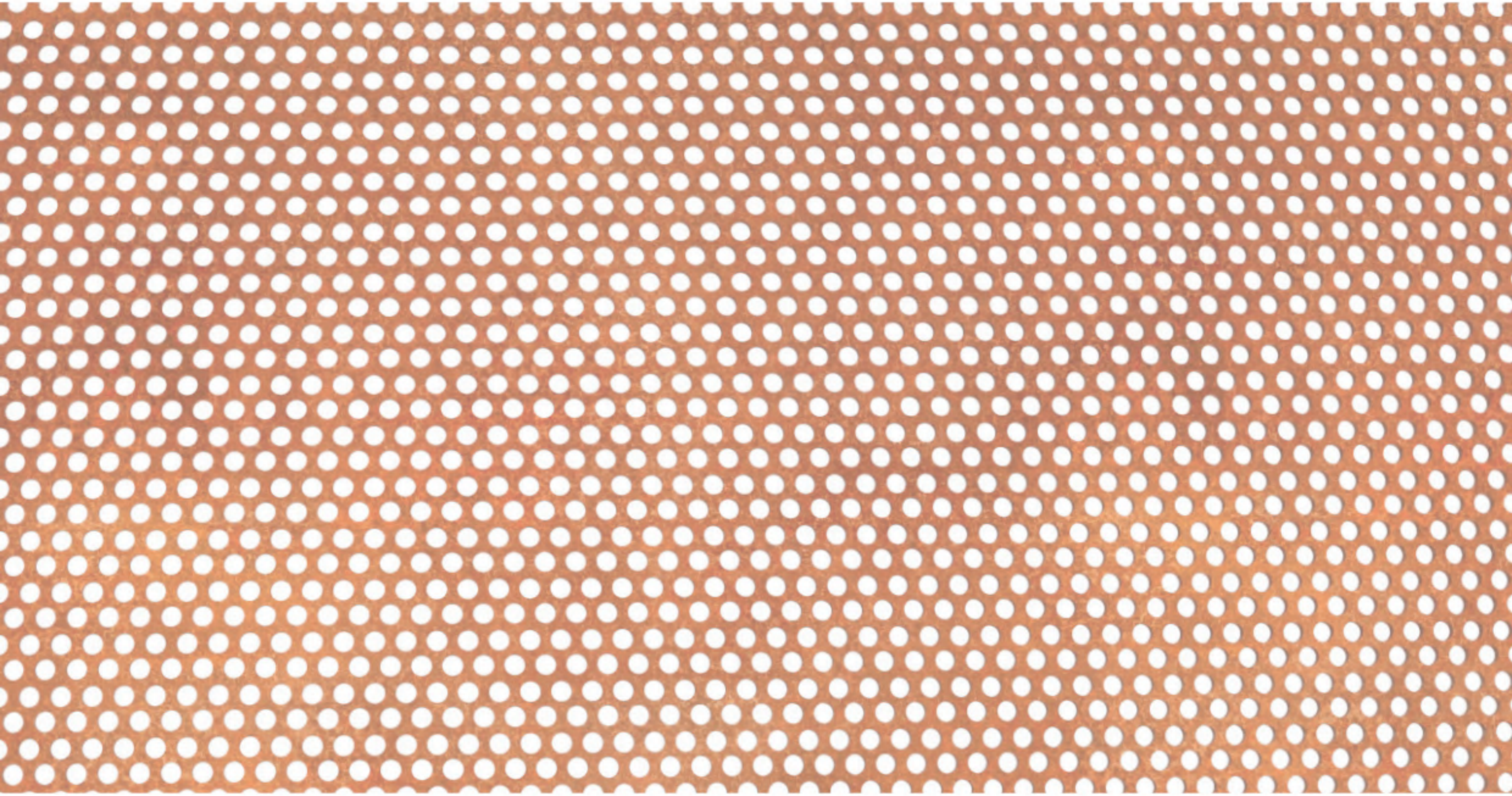
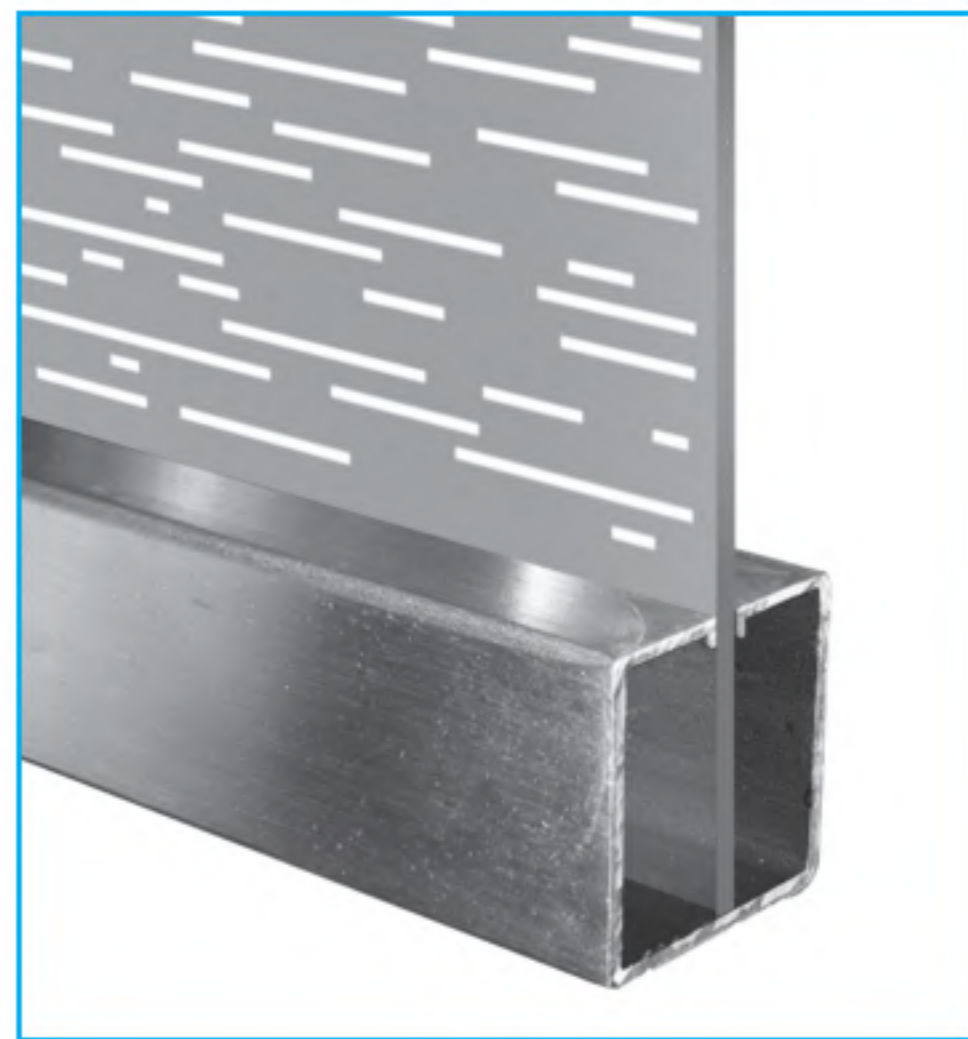
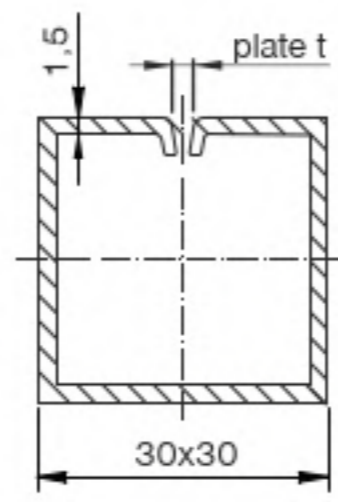


PLATE INFILLS



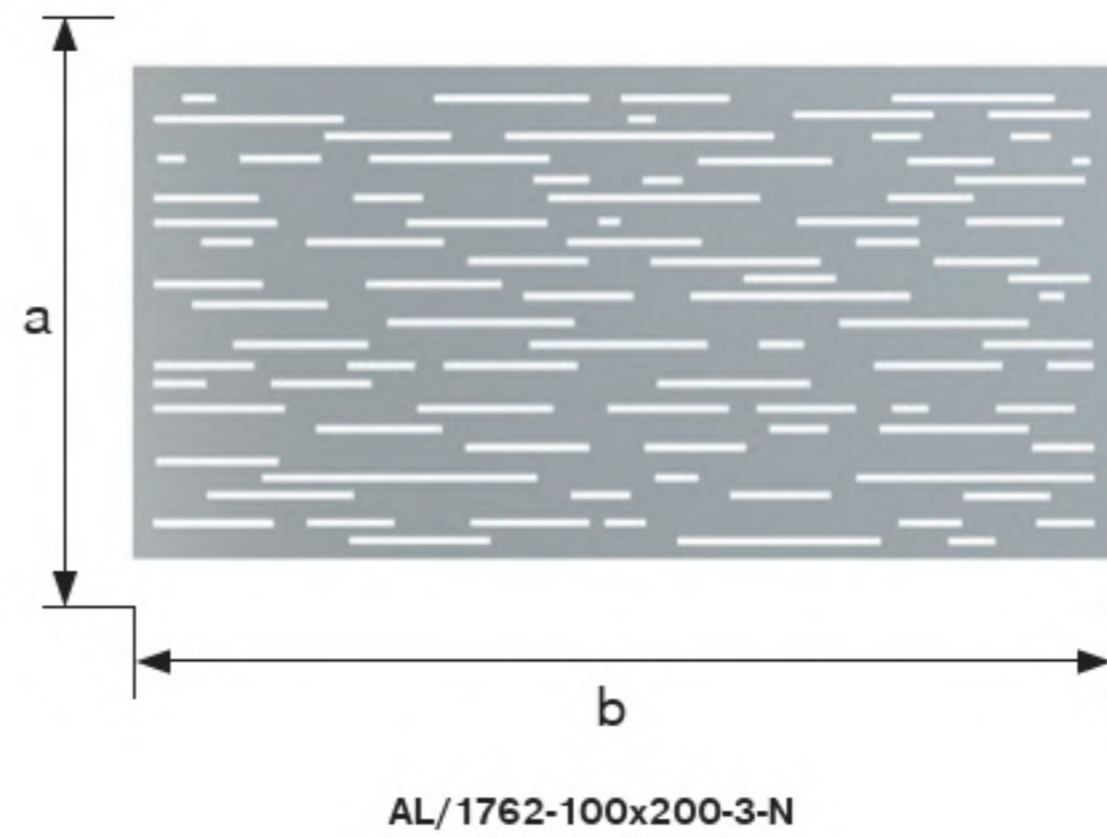


Quality	Finish	art.	D	plate t	t	L
AISI304	satin	A/30x30x4-frame	30x30	4	1,5	3000
		A/30x30x7,5-frame	30x30	7,5		



Quality	Finish	art.	axb	t
ALUMINIUM	raw	AL/1348-100x200-3-N	1000x2000	3

new

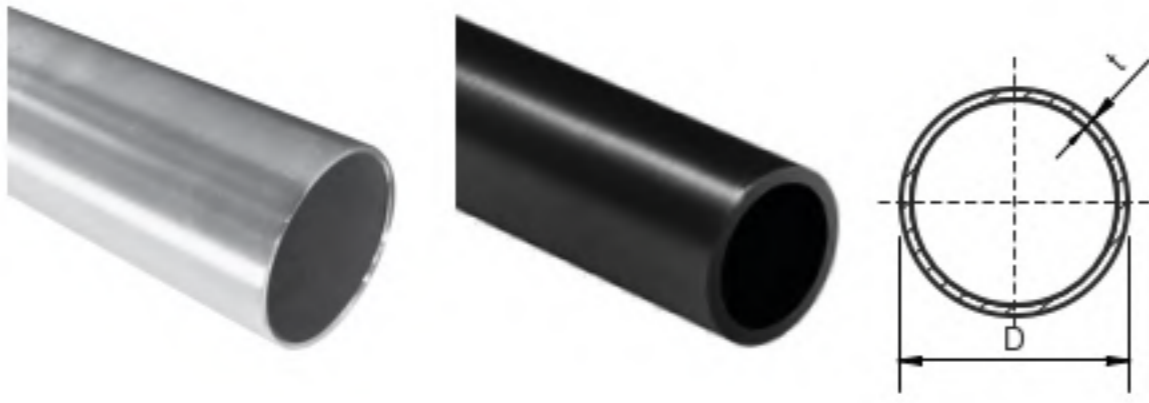


Quality	Finish	art.	axb	t
ALUMINIUM	raw	AL/1762-100x200-3-N	1000x2000	3

new

BAR/TUBE INFILLS





Quality	Finish	art.	D	t	L
AISI304	satin	A/10x1-6000	10	1	6000 <i>new</i>
		A/12x1,5-1000			1000
		A/12x1,5-1500			1500
		A/12x1,5-2000			2000
		A/12x1,5-3000			3000
	PVD Black	A-PVD/12x1,5-3000	12		3000 <i>new</i>
	satin	A/12x1,5-4000		4000	
		A/12x1,5-5000		5000	
		A/12x1,5-6000		6000 <i>top new</i>	
	CORTEN	raw	CA/12x1,5-6000		1,5
AISI304	satin	A/14x1,5-3000	14		3000
		A/14x1,5-6000			6000
		A/16x1,5-3000		16	3000
		A/16x1,5-6000			6000
	polish	A/12x1,5-3000-L	12		3000
		A/12x1,5-6000-L			6000
AISI316	satin	A14/12x1,5-3000	12		3000
		A14/12x1,5-6000			6000
	polish	A14/12x1,5-6000-L	12		6000

Quality	Finish	art.	D	h	t	L
AISI304	satin	A/10x10x1-6000	10	10	1	6000
		A/12x12x1-6000	12	12		



Quality	Finish	art.	L
AISI304	satin	A/10x10-3000	3000



Quality	Finish	art.	L
AISI304	satin	A/15x5-2000	2000
		A/15x5-4000	4000



Quality	Finish	art.	D	L
AISI304	satin	A/12-3000	12	3000
		A/12-6000		6000
AISI316		A14/12-3000	12	3000 <i>new</i>

General tolerances
T3/D3 EN 10217-7
 (t ±10%, max ±0,2mm;
 D ±0,75%, max ±0,3mm)

FIND YOUR PERFECT COLOUR

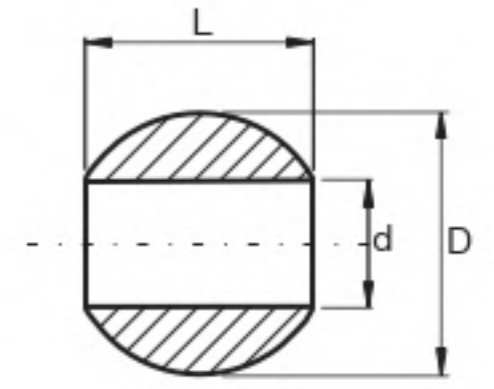
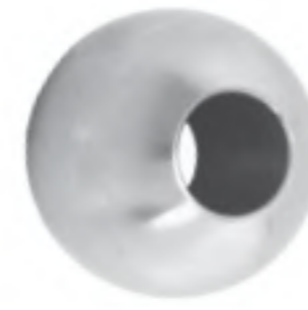
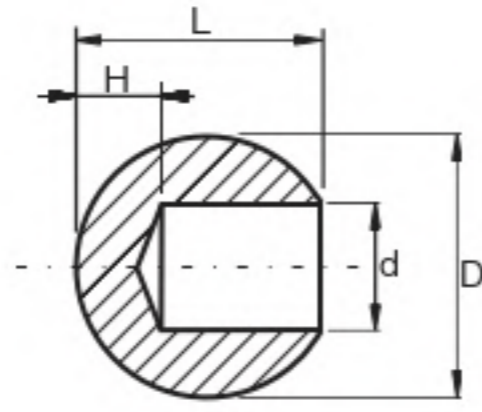
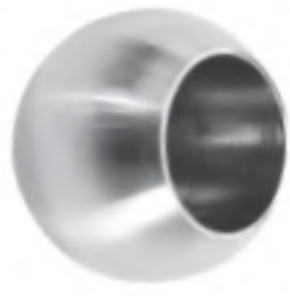
Our powder coated components can be customized to any individual RAL colour as you wish. For specific requests email us at: info@umakov.sk

RAL Line



PVD Line

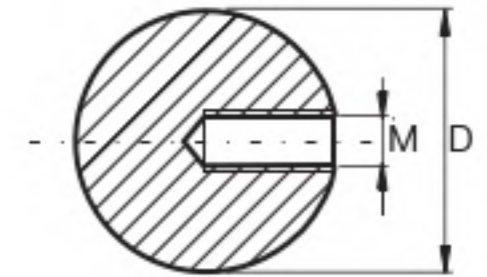
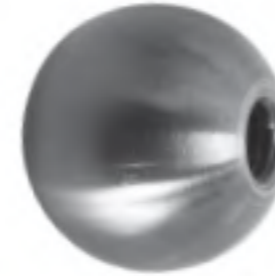
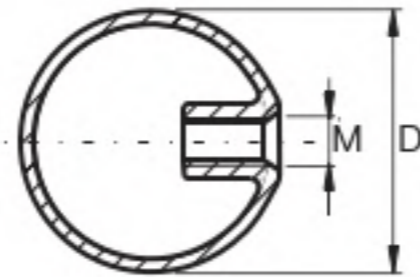
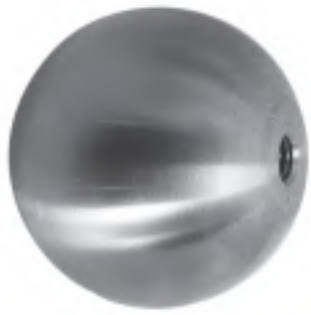




Quality	Finish	d	art.	D	L	H
AISI304	satin	10	A/0221-010	20	19	7
			A/0221-2510	25	23	10
		12	A/0221-012	20	18	5
			A/0221-2512	25	24	12
			A/0221-3012	30	28	13
			A/0221-2514	25	22	8
	14	A/0221-014	20	17	6	
		16	A/0221-016	25	22	9
	polish		12	A/0221-012-L	20	18
		16	A/0221-016-L	25	22	9
AISI316	satin	12	A14/0221-012	20	18	6
	polish	12	A14/0221-012-L	20	18	6

top

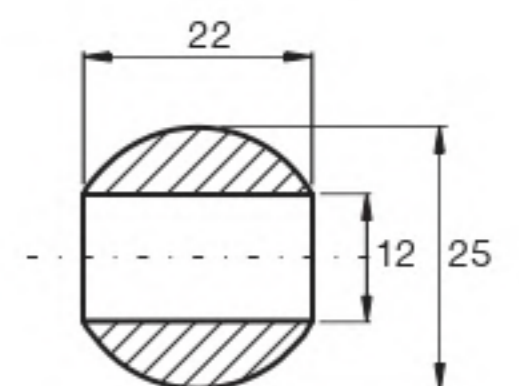
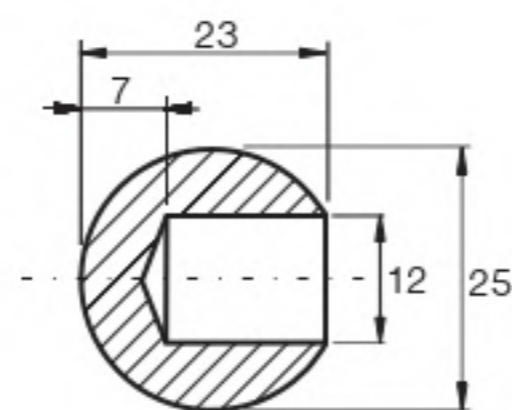
Quality	Finish	d	art.	D	L
AISI304	satin	12	A/0224-2012	20	15,5
			A/0224-2512	25	22
		14	A/0224-3012	30	27
			A/0224-3014	30	26



Quality	Finish	D	art.	M
AISI304	satin	40	A/0220-040-R	8
			A/0220-050-R	8
		50	A/0220-050-R-B	10
			A/0220-060	8
		68	A/0220-070-B	8
		80	A/0220-080-R	10
		100	A/0220-100	10
			A/0220-100-B	8
		97	A/0220-100-C	8
		120	A/0220-120	10
		150	A/0220-150	12
		200	A/0220-200	12
	polish	50	A/0220-050-R-L	8
		80	A/0220-080-R-L	10

new

Quality	Finish	D	art.	M
AISI304	satin	15	A/0220-015	6
		20	A/0220-020	
		25	A/0220-025	
		30	A/0220-030	8
		40	A/0220-040	



Quality	Finish	art.
Brass	polish	B/0221-2512

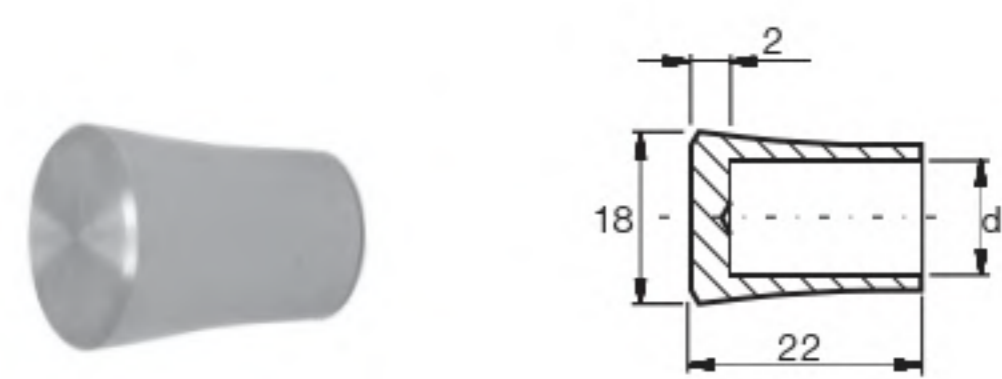
Quality	Finish	art.
Brass	polish	B/0224-2512



Quality	Finish	d	art.	D	L	H
AISI304	satin	10	A10/0015-010	15	15	5
		12	A10/0015-012-A			
			A10-PVD/0015-012-A			
	satin	14	A10/0015-014	16		
		16	A10/0015-016	18	21	6
		polish	12	A10/0015-012-L	14	15
16	A10/0015-016-L		18	21	6	
AISI316	satin	12	A14/0015-012-A	15	15	5
		16	A14/0015-016	18	21	6

*top
new*

Quality	Finish	art.
AISI316	satin	A14/0014-012



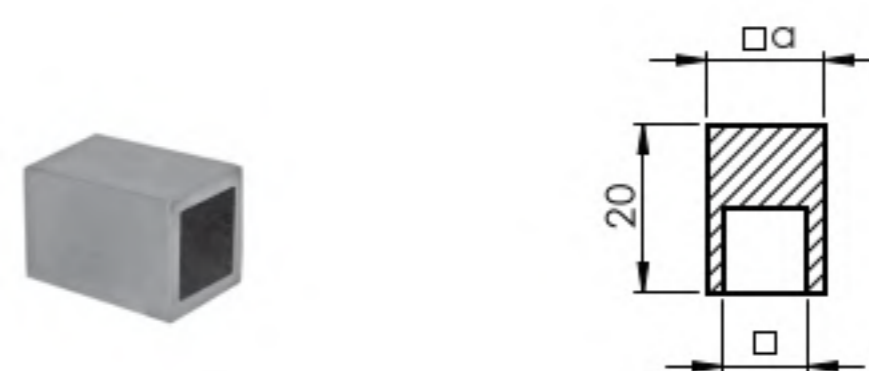
Quality	Finish	D	art.
AISI304	satin	12x1,5	A10/0010-012
AISI316		12x1,5	A14/0010-012
AISI304		16x1,5	A10/0010-016

new

Quality	Finish	d	art.
AISI304	satin	10	A10/0017-010
		12	A10/0017-012



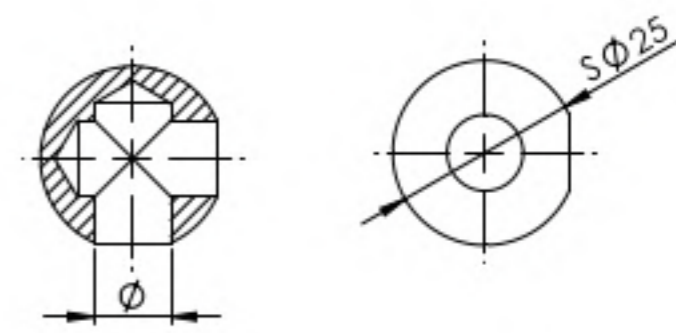
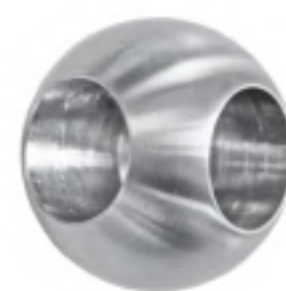
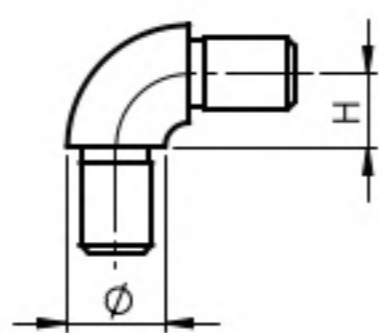
Quality	Finish	art.
PVC	gray	A10/12-PVC



Quality	Finish	art.
PVC	gray	A9/12x12-PVC

Quality	Finish	art.	∅	a
AISI304	satin	A10/4023-012	10x10	14
		A10/4023-12x12	12x12	16

SYSTEM **FIX**



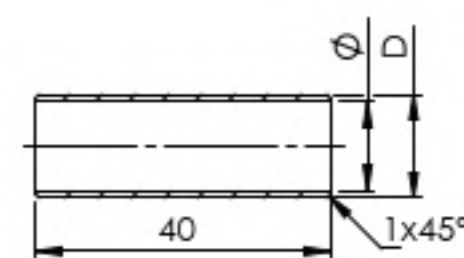
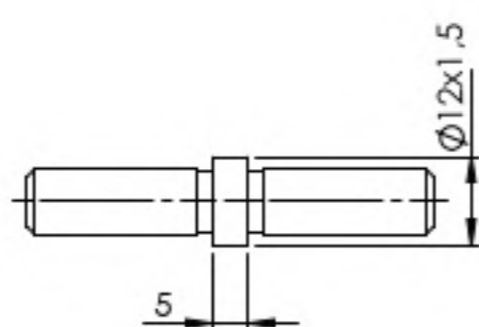
Quality	Finish	∅	art.	H
AISI304	satin	12x1,5	A/0305-012	9
		16x1,5	A/0305-016	11

top

Quality	Finish	∅	art.
AISI304	satin	10	A/0220-210
		12	A/0220-225

3

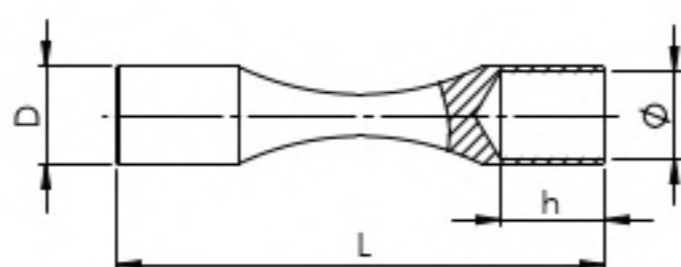
INFILLS



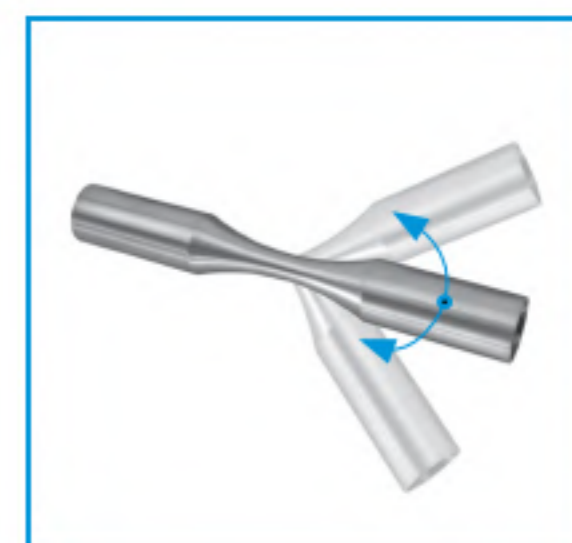
Quality	Finish	art.
AISI304	satin	A/0041-012-B
AISI316		A14/0041-012

Quality	Finish	∅	art.	D
AISI304	satin	10	A/0040-010	12
		12	A/0040-012	14
		16	A/0040-016	18

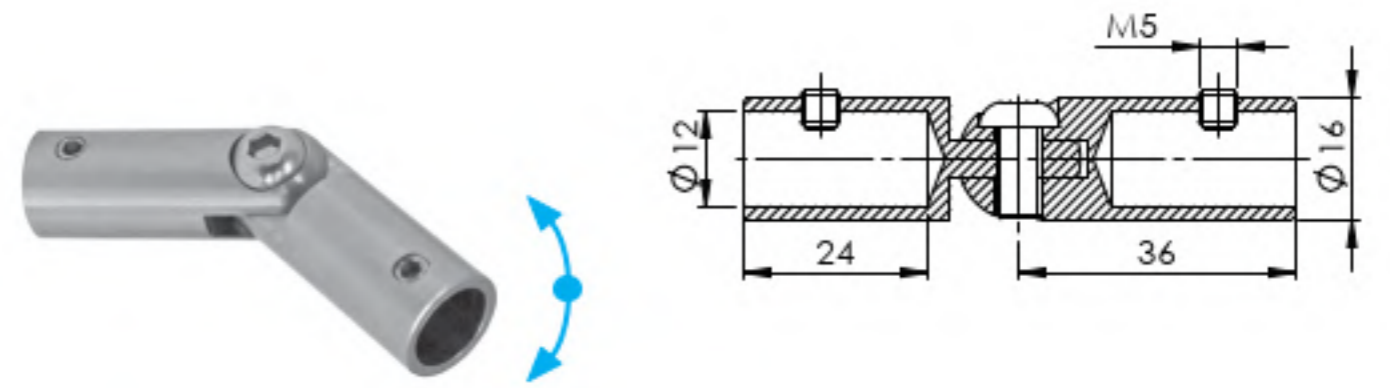
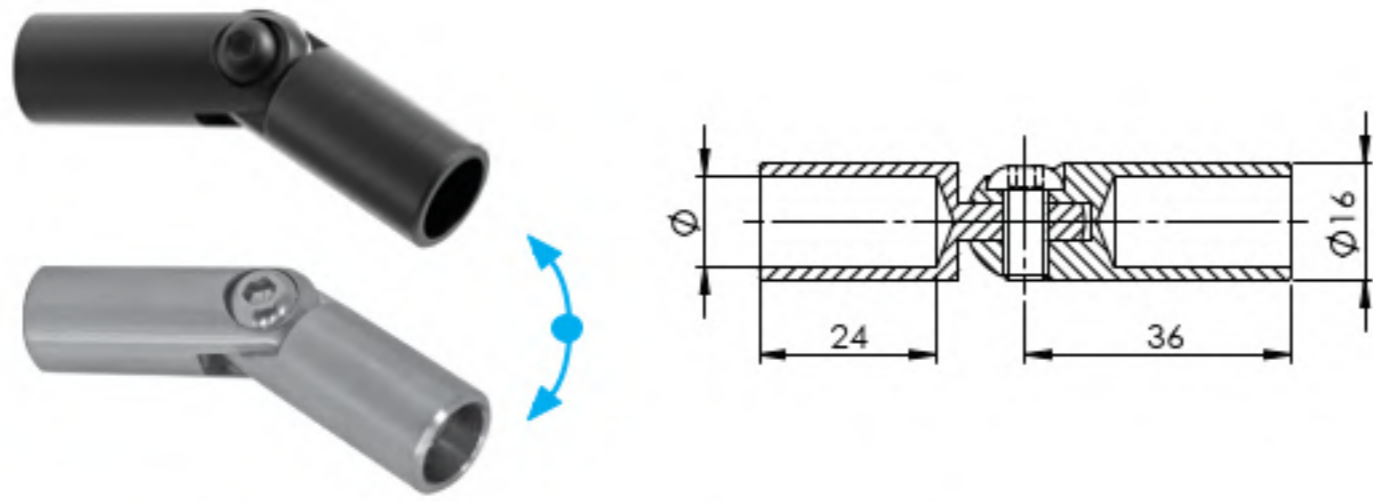
SYSTEM **FLEX**



Quality	Finish	∅	art.	L	D	h
AISI304	satin	10	A/0012-010	80	12	19,5
		12	A/0012-012-B	70	14	15



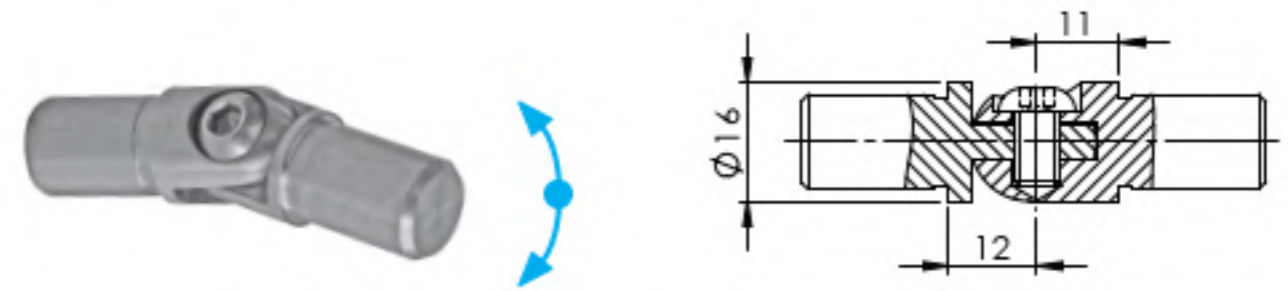
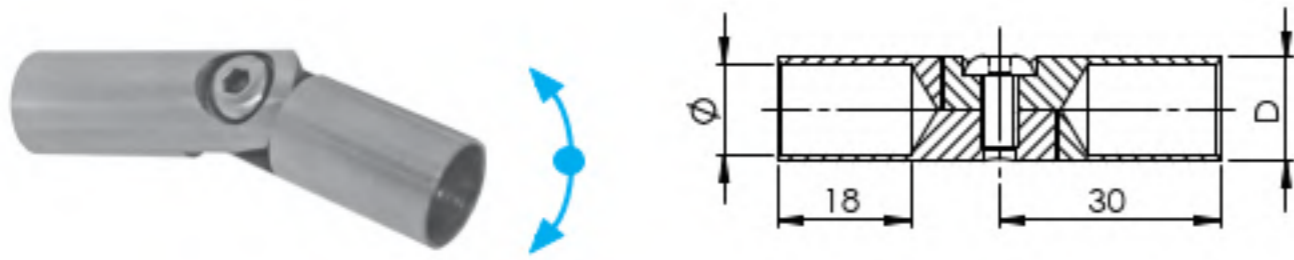
SYSTEM FLEX



Quality	Finish	Ø	art.
AISI304	satın	12	A/0302-012
	PVD black		A-PVD/0302-012
	satın	14	A/0302-014
	polish		A/0302-012-L
AISI316	satın	12	A14/0302-012
	polish		A14/0302-012-L

new

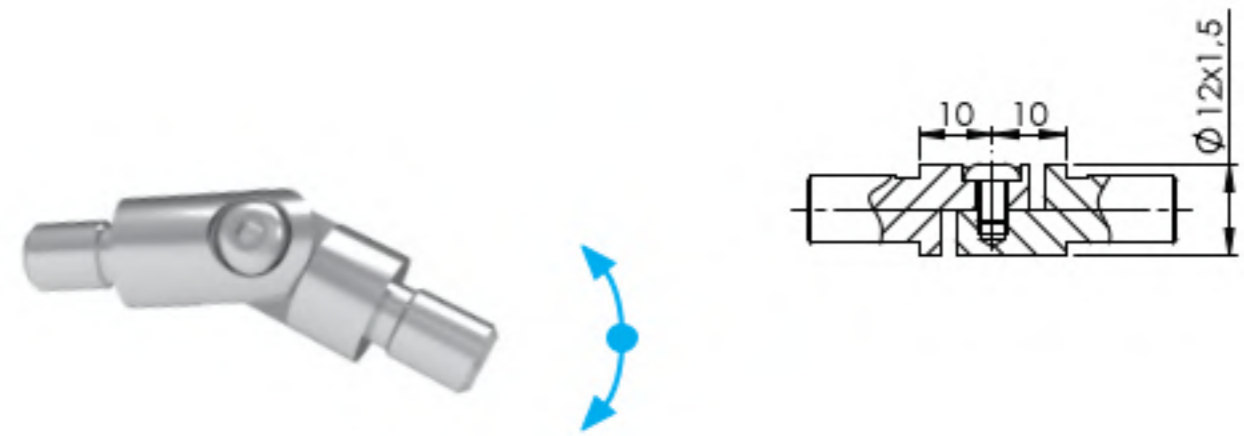
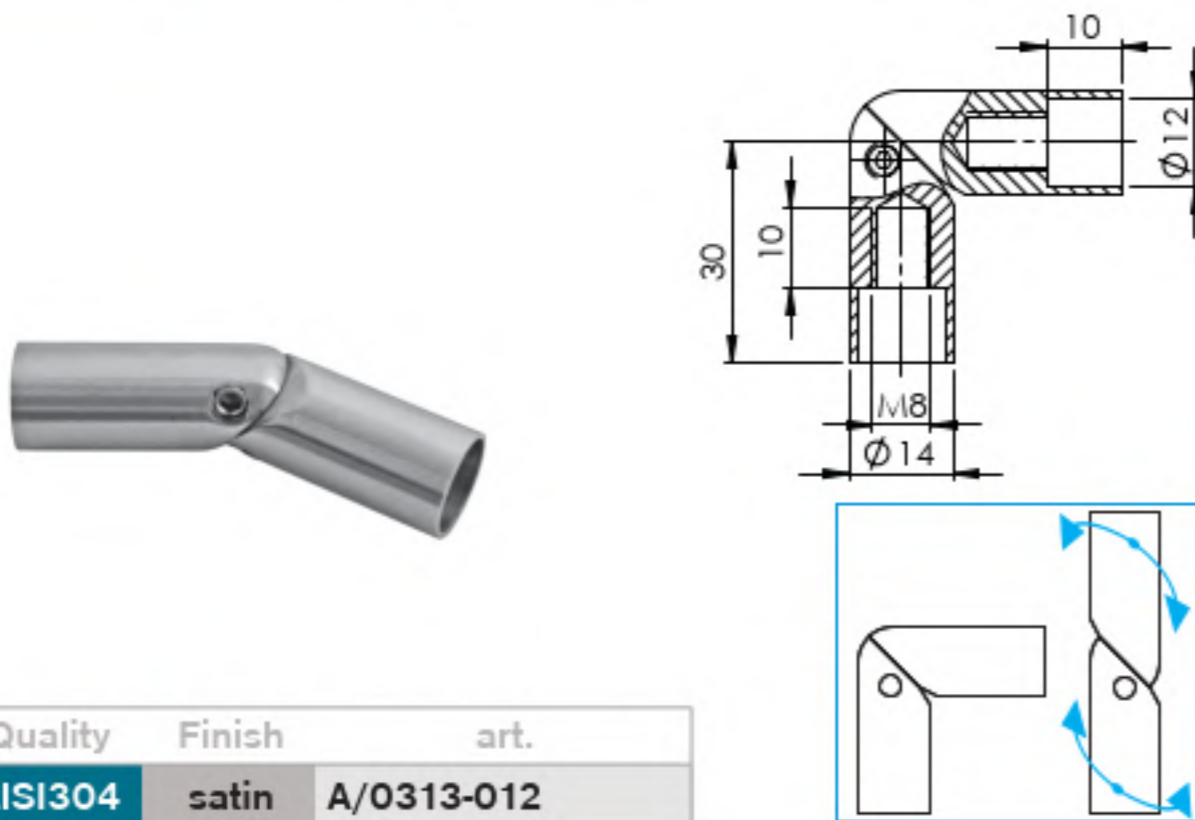
Quality	Finish	art.
AISI304	satın	A/0302-012-B



Quality	Finish	Ø	art.	D
AISI304	satın	10	A/0302-010-S	12
AISI316		12	A/0302-012-S	14
			A14/0302-012-S	

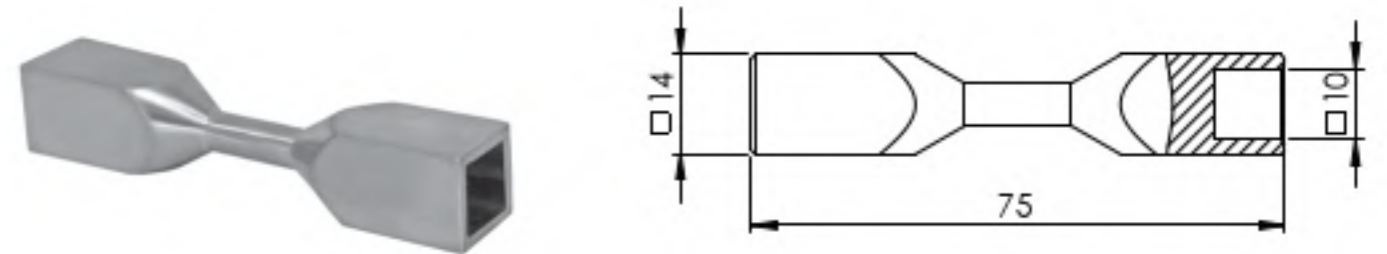
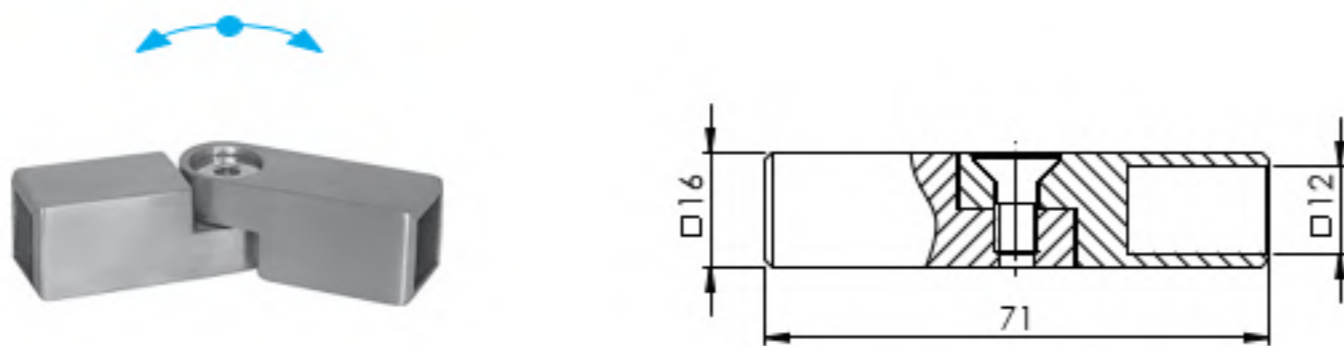
top

Quality	Finish	art.
AISI304	satın	A/0302-016



Quality	Finish	art.
AISI304	satın	A/0313-012

Quality	Finish	art.
AISI304	satın	A/0302-012-C



Quality	Finish	art.
AISI304	satın	A/4012-012

Quality	Finish	art.
AISI304	satın	A/4010-012



4

HANDRAIL HOLDERS





**HANDRAIL
HOLDERS
ROUND**

- WELD/WELD
- WELD/SCREW
- SCREW/WELD
- SCREW/SCREW
- COMPLETE



**HANDRAIL
HOLDERS
SQUARE**

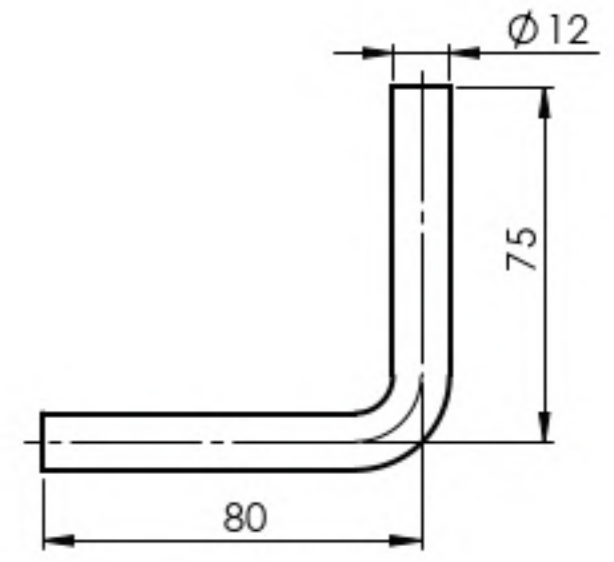
- COMPLETE



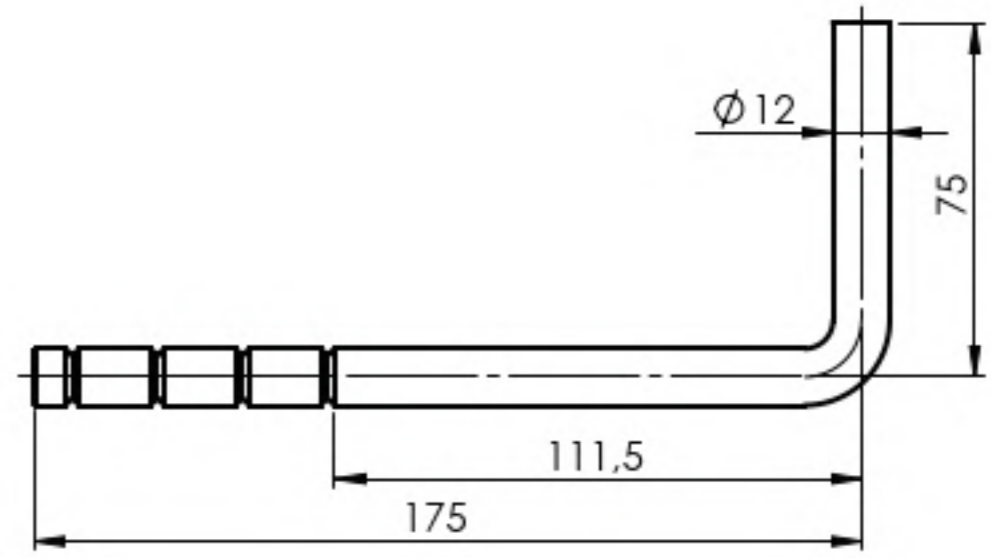
**GLASS
HOLDERS**



Quality	Finish	art.
AISI304	satın	A/0132-000

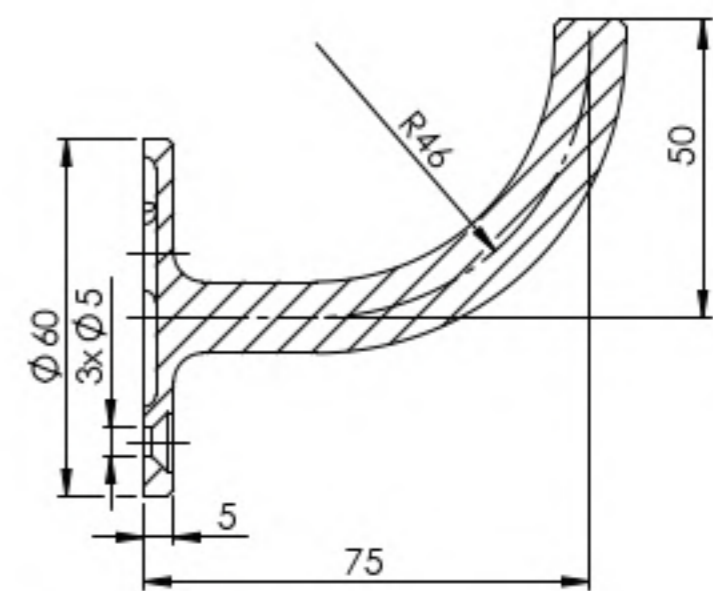
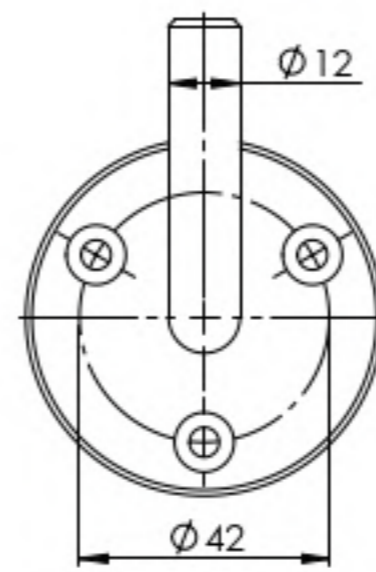


Quality	Finish	art.
AISI304	satın	A/0120-000-Z

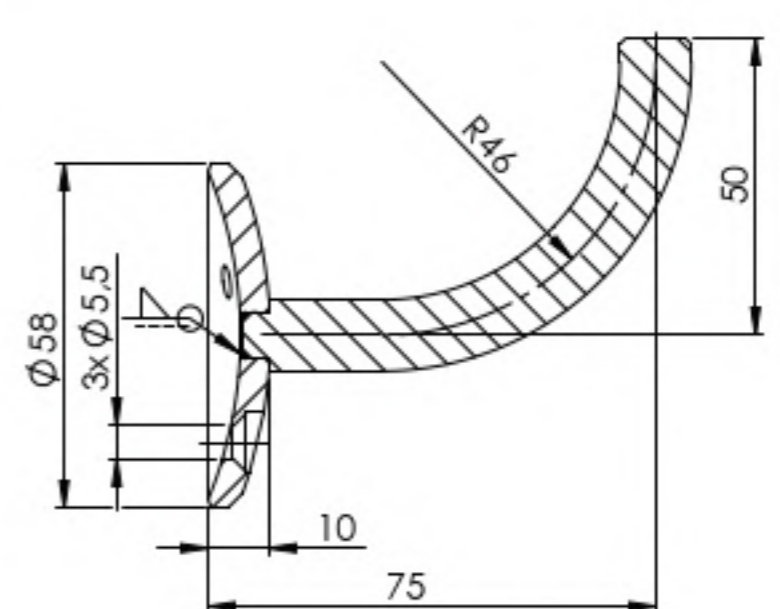
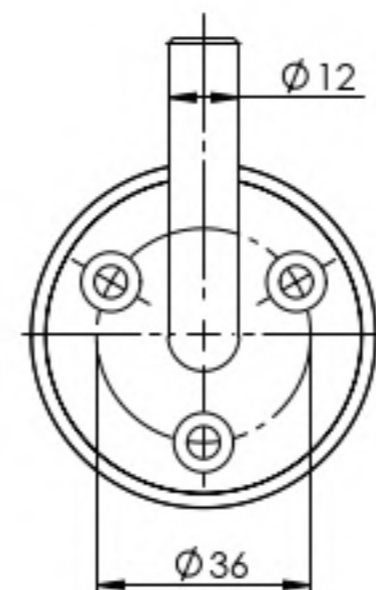


Quality	Finish	art.
AISI304	satın	A/0113-000-R
AISI316		A14/0113-000

top



Quality	Finish	art.
AISI304	satın	A/0113-000

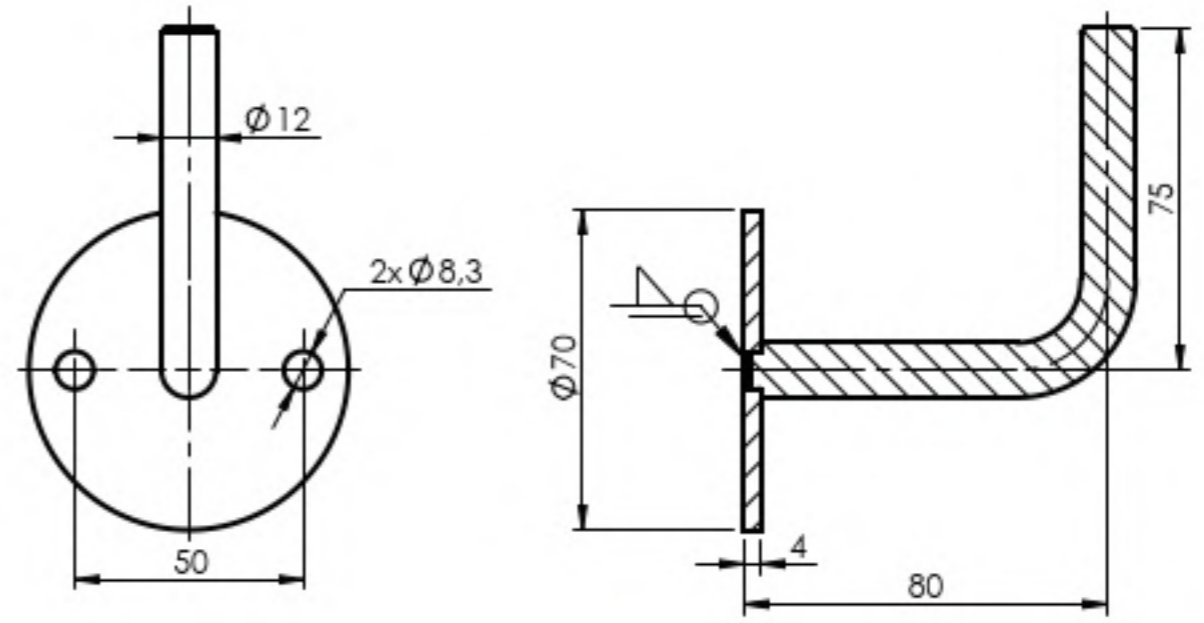
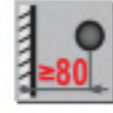


SYSTEM WELD/WELD

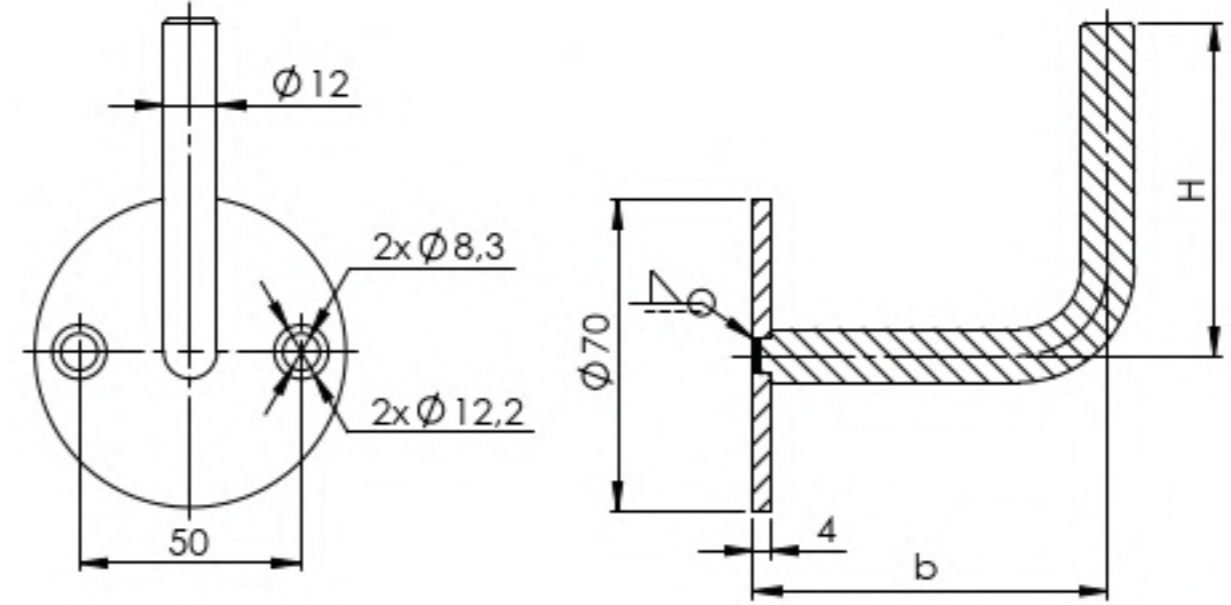
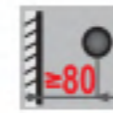


Quality	Finish	art.
AISI304	satın	A/0118-271

new

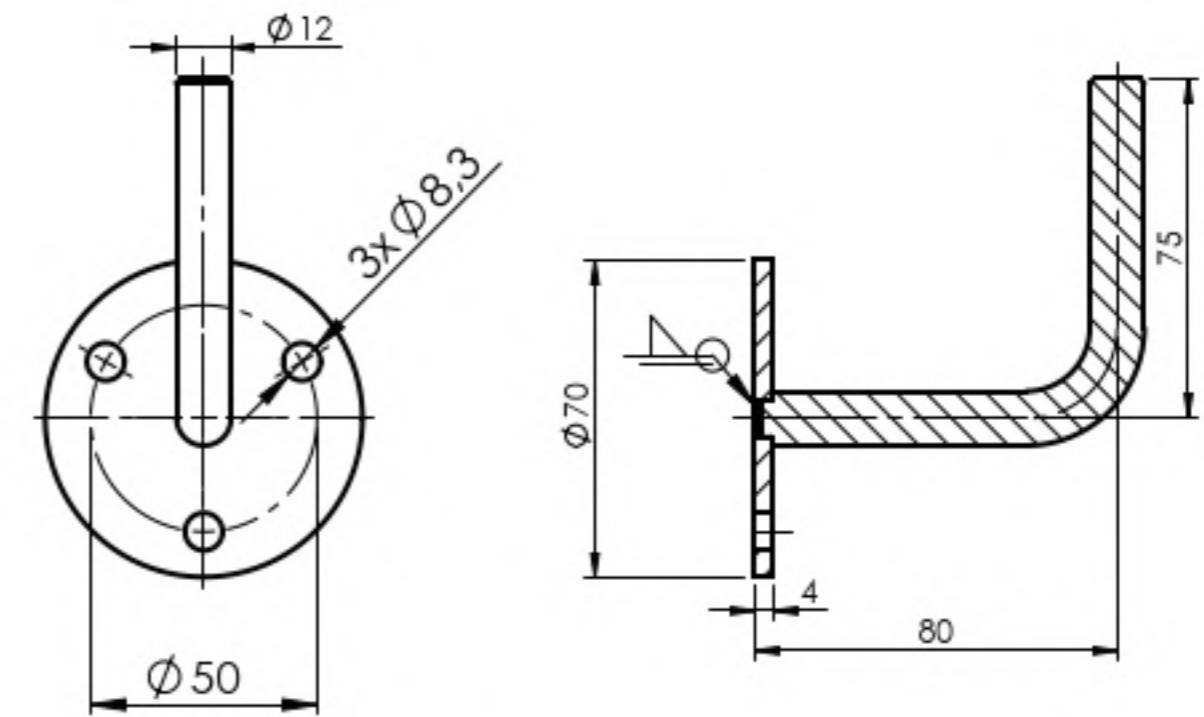
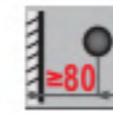


Quality	Finish	art.	b x H
AISI304	satın	A/0118-270	80x75
		A/0118-270-B	69x69



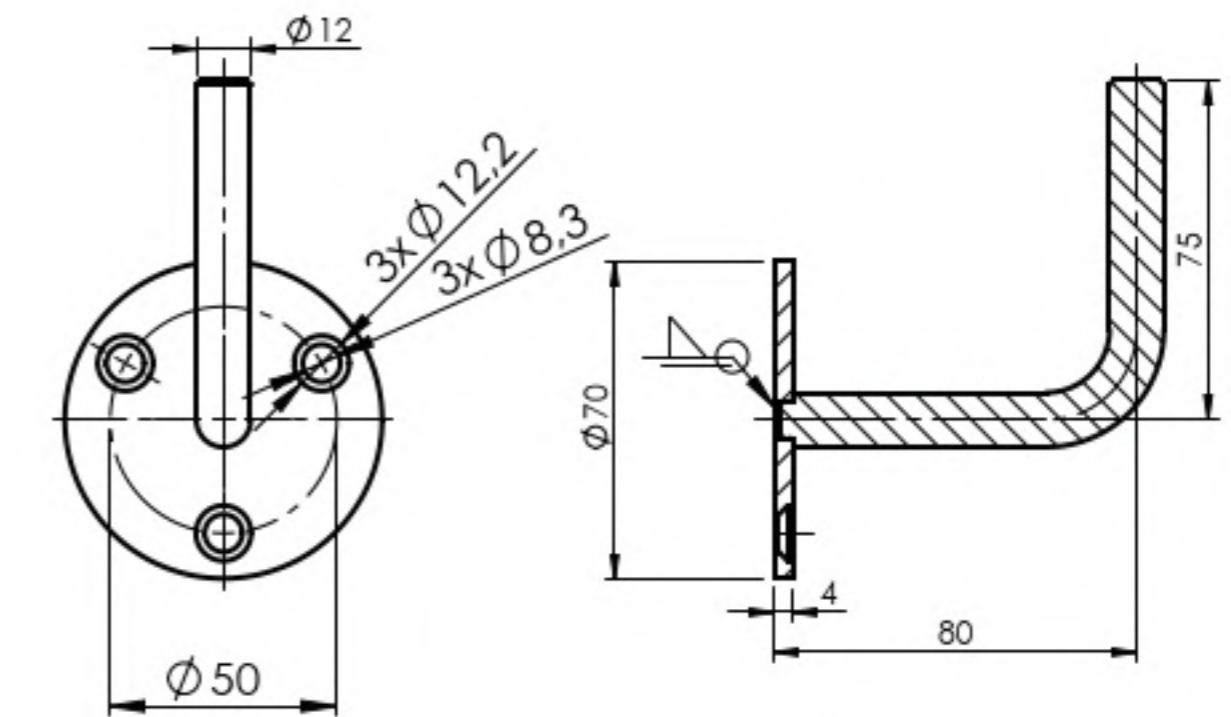
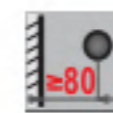
Quality	Finish	art.
AISI304	satın	A/0118-371

new

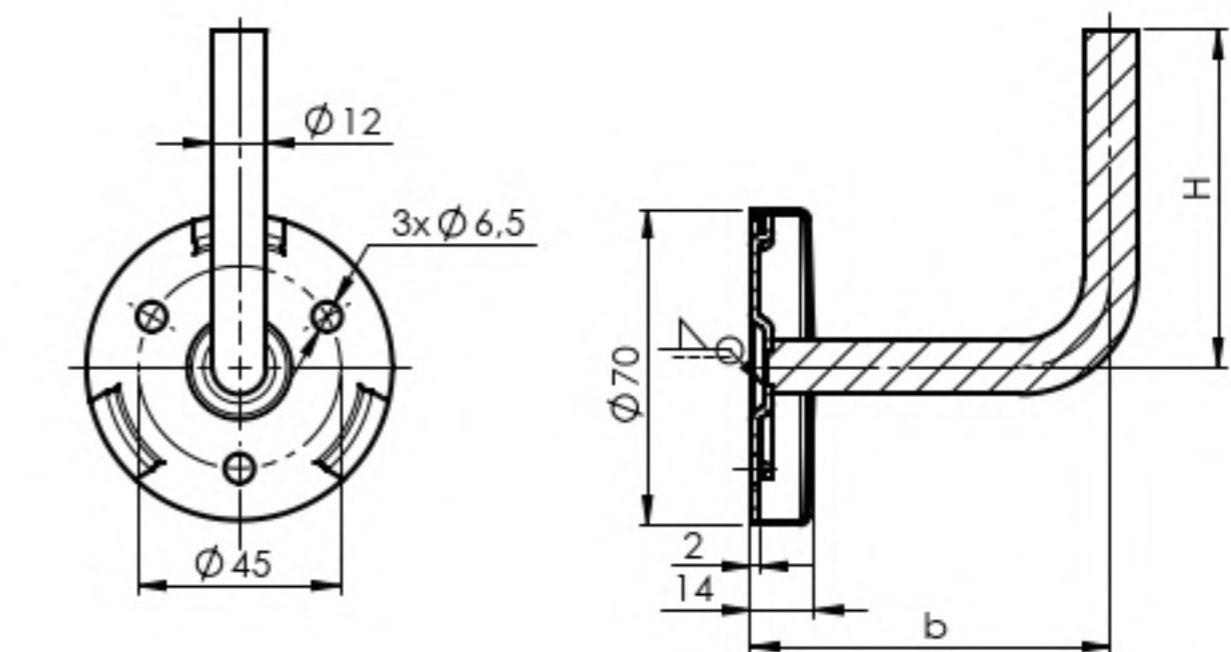


Quality	Finish	art.
AISI304	satın	A/0118-370

new

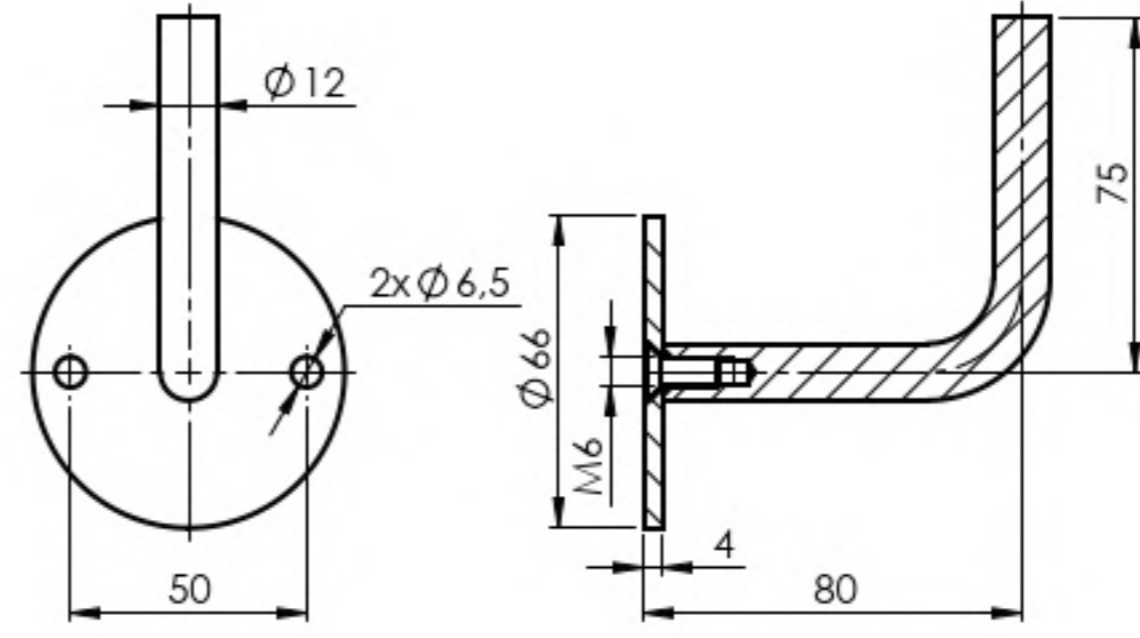
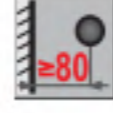


Quality	Finish	art.	b x H
AISI304	satın	A/0110-370-Z	80x75
		A/0110-000-Z	73x71

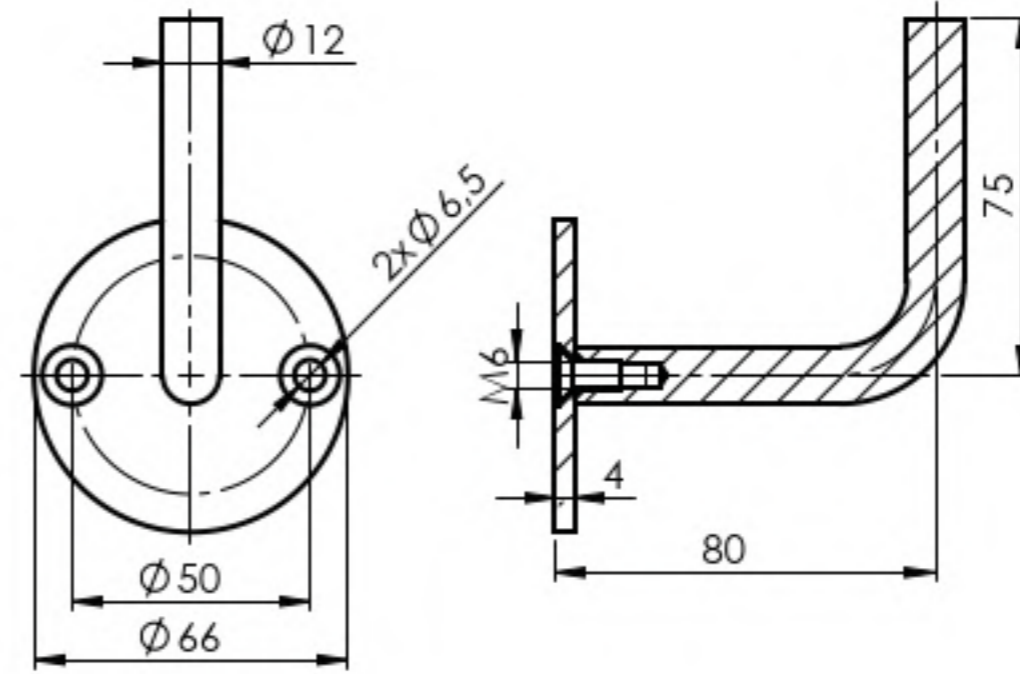




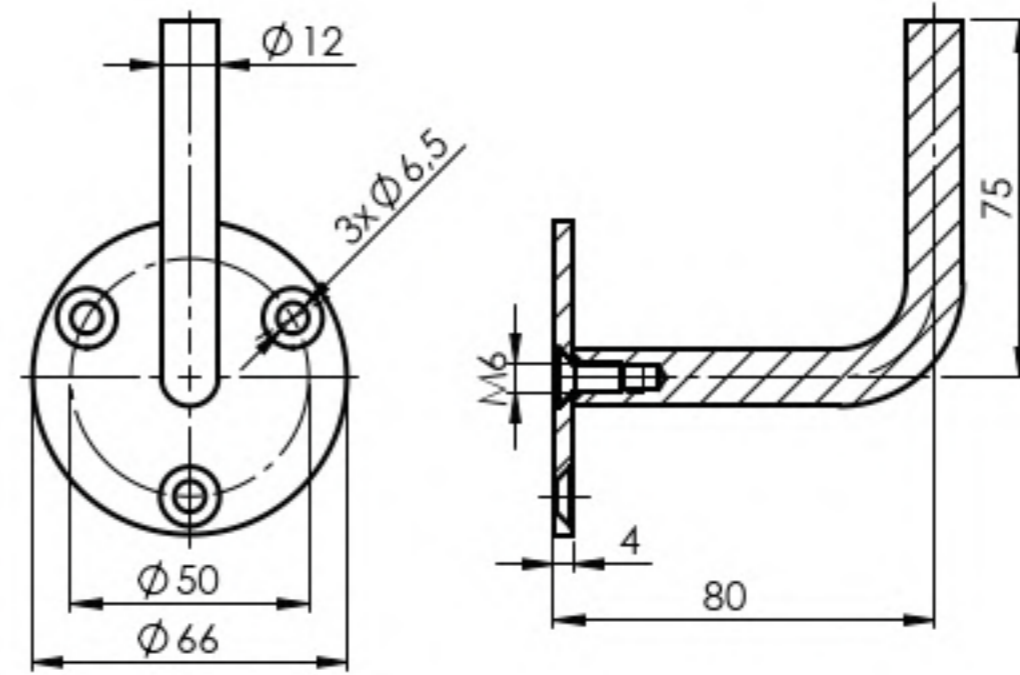
Quality	Finish	art.
AISI304	satın	A/0114-266-Z



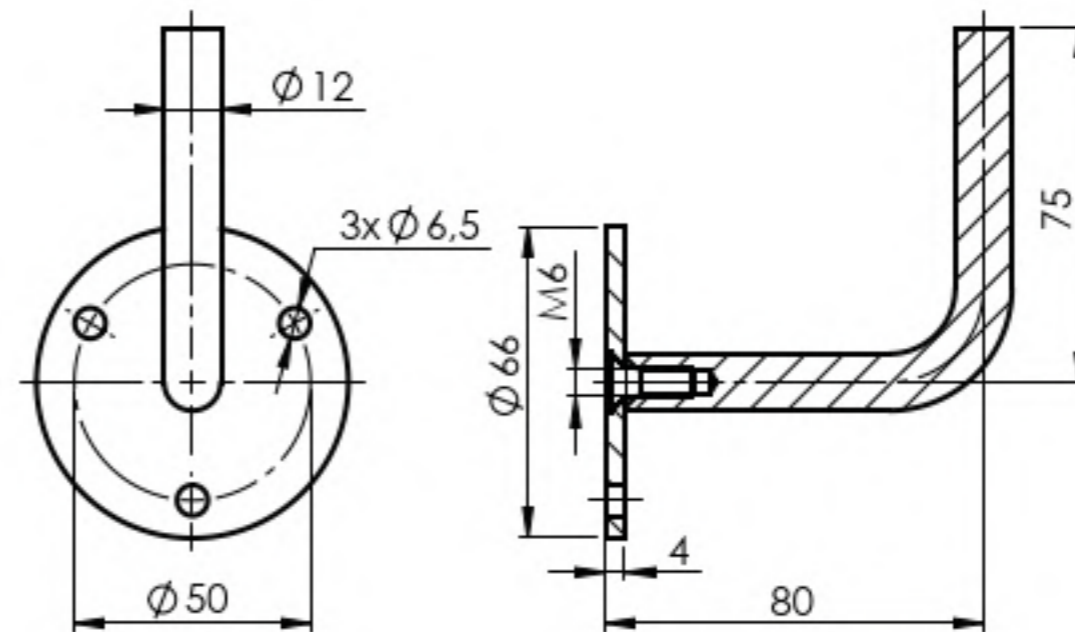
Quality	Finish	art.
AISI304	satın	A/0114-270



Quality	Finish	art.
AISI304	satın	A/0114-370

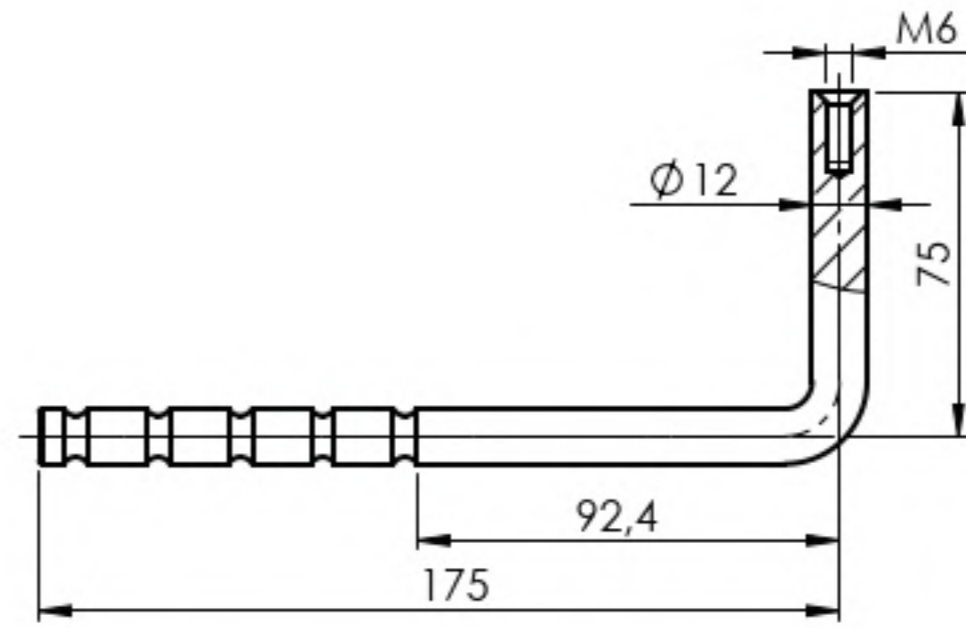
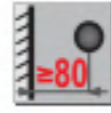


Quality	Finish	art.
AISI304	satın	A/0114-366-Z



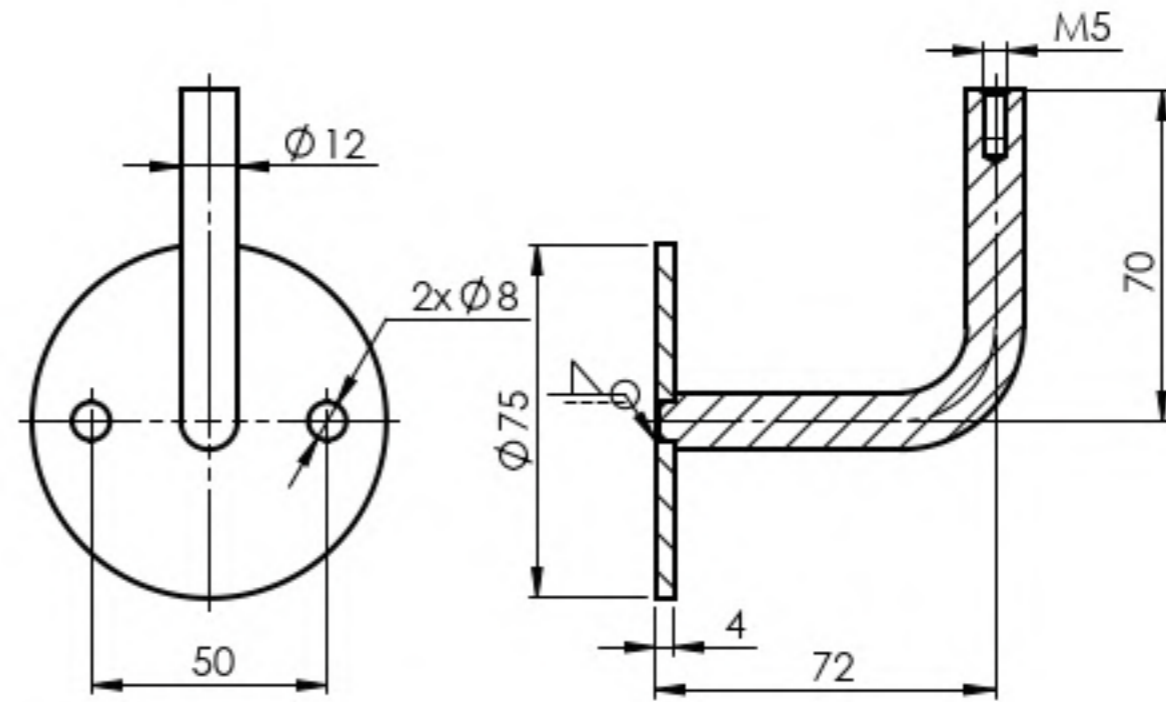


Quality	Finish	art.
AISI304	satın	A/0120-000-M6



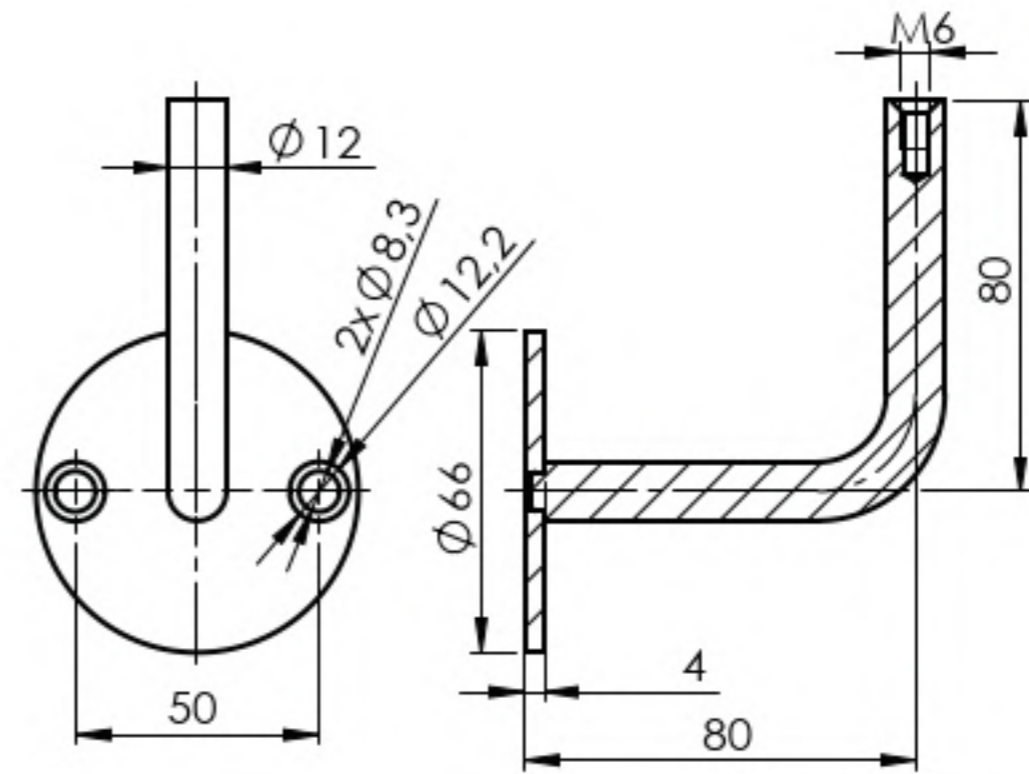
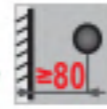
Quality	Finish	art.
AISI304	satın	A/0114-000

top

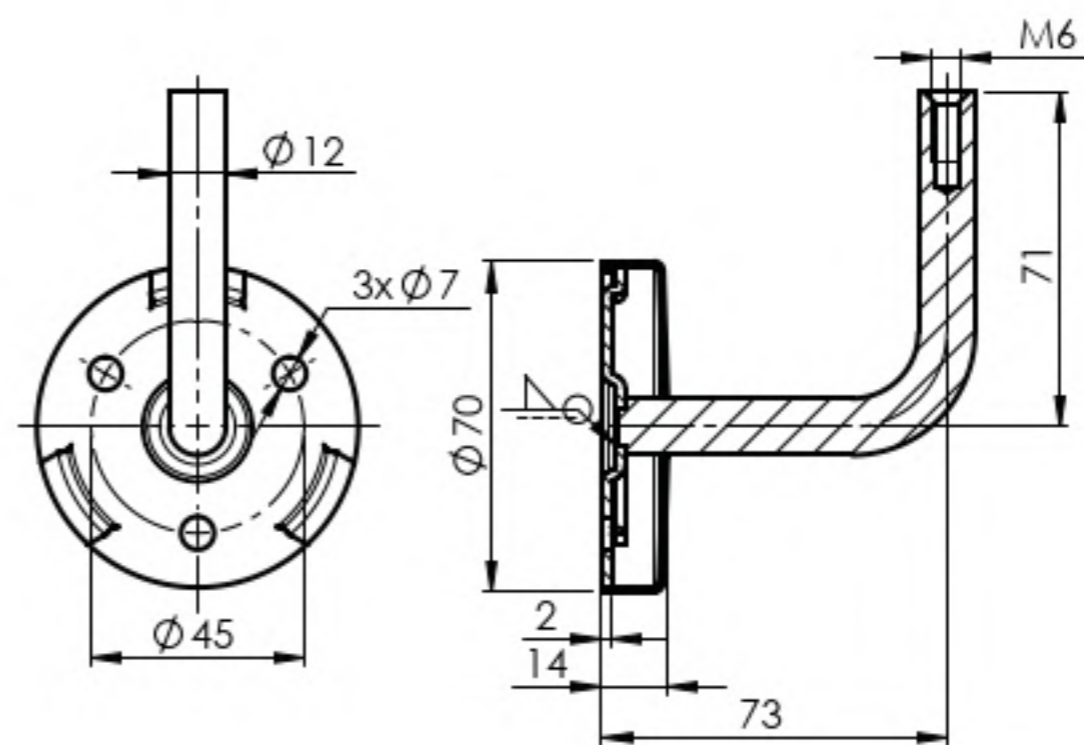


Quality	Finish	art.
AISI304	satın	A/0114-070-M6

new

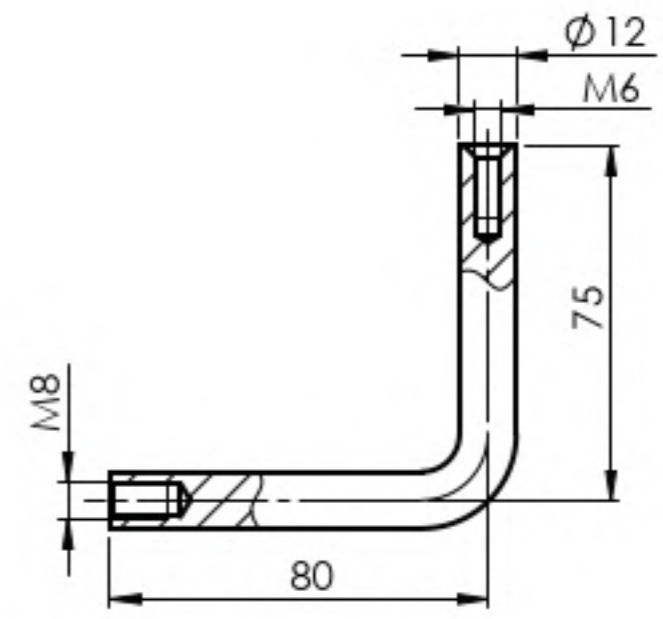


Quality	Finish	art.
AISI304	satın	A/0110-000

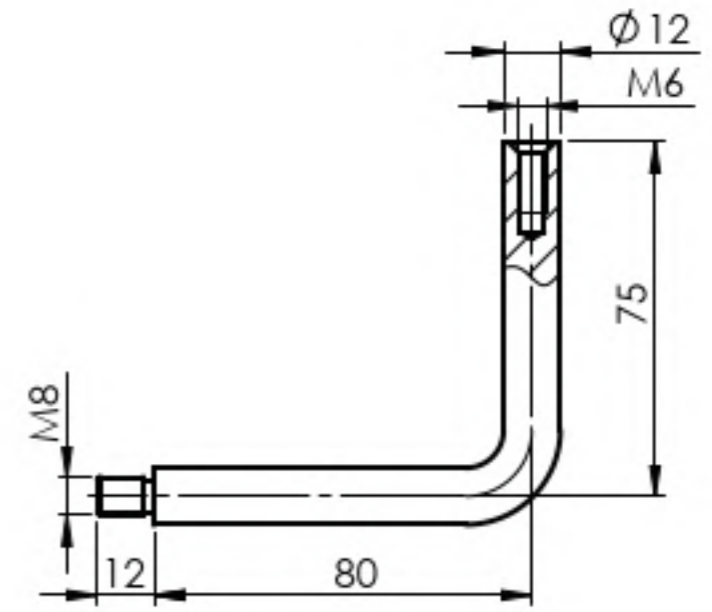
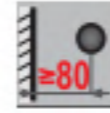




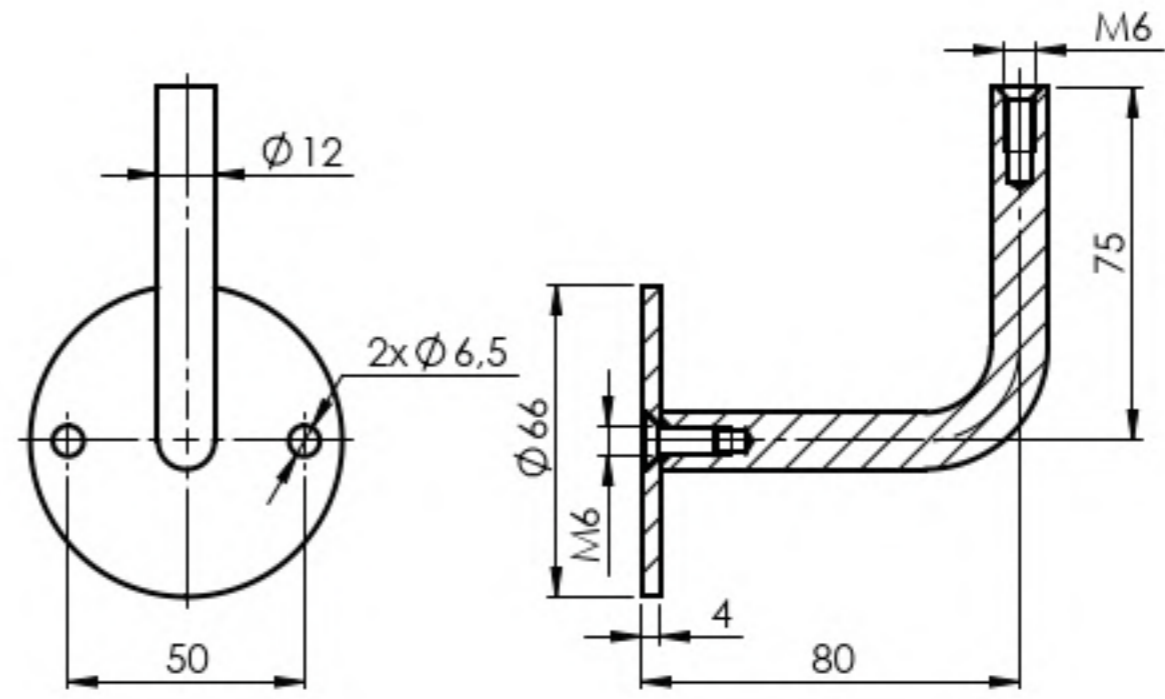
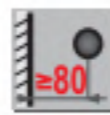
Quality	Finish	art.
AISI304	satın	A/0131-M6



Quality	Finish	art.
AISI304	satın	A/0130-M6

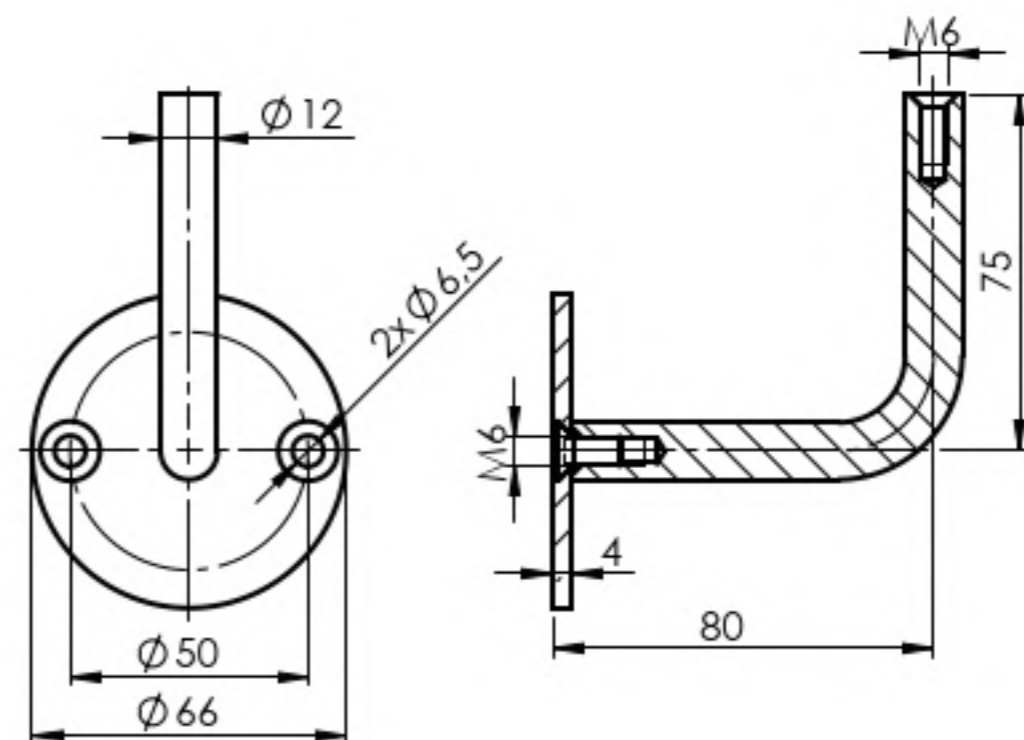


Quality	Finish	art.
AISI304	satın	A/0114-266-M6

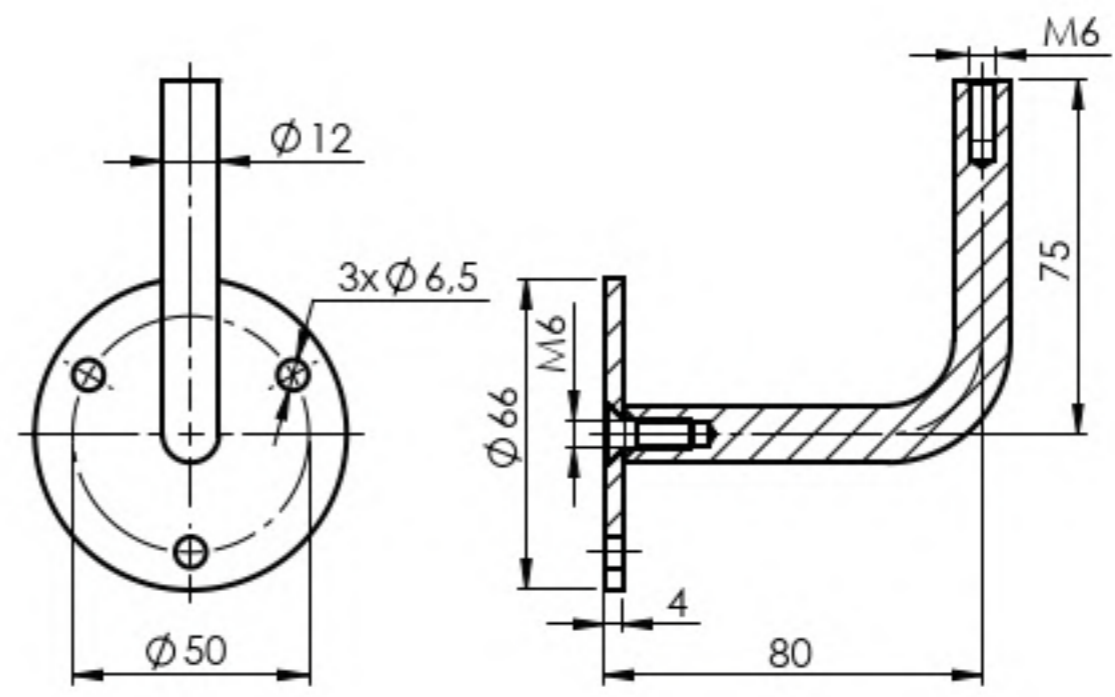


Quality	Finish	art.
AISI304	satın	A/0114-270-M6

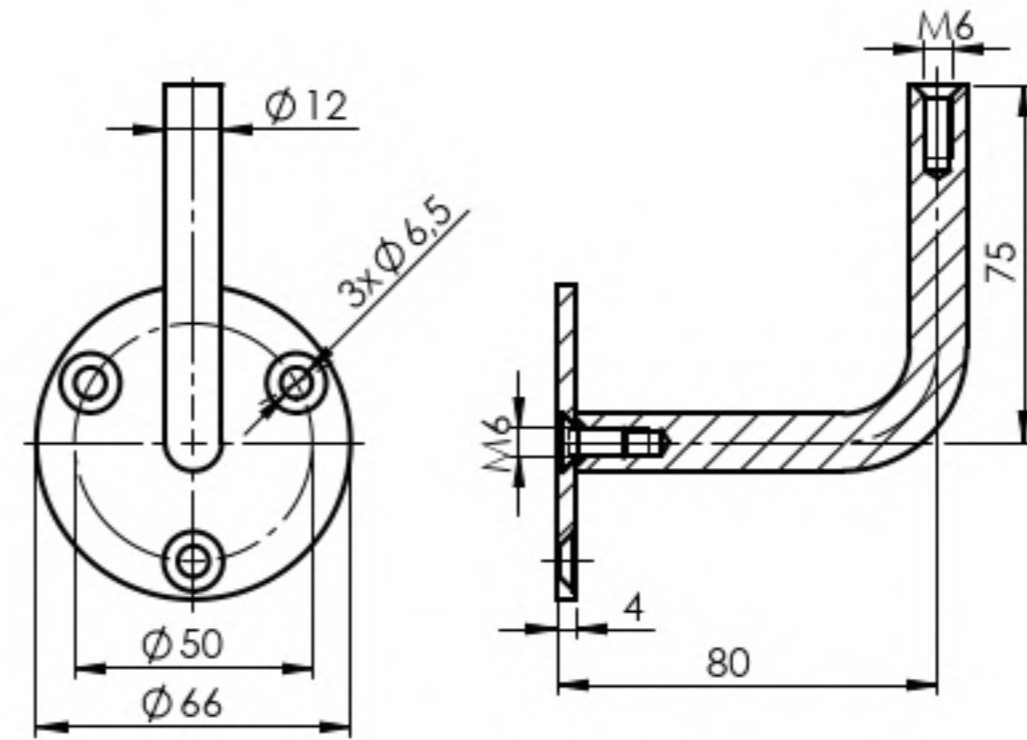
new



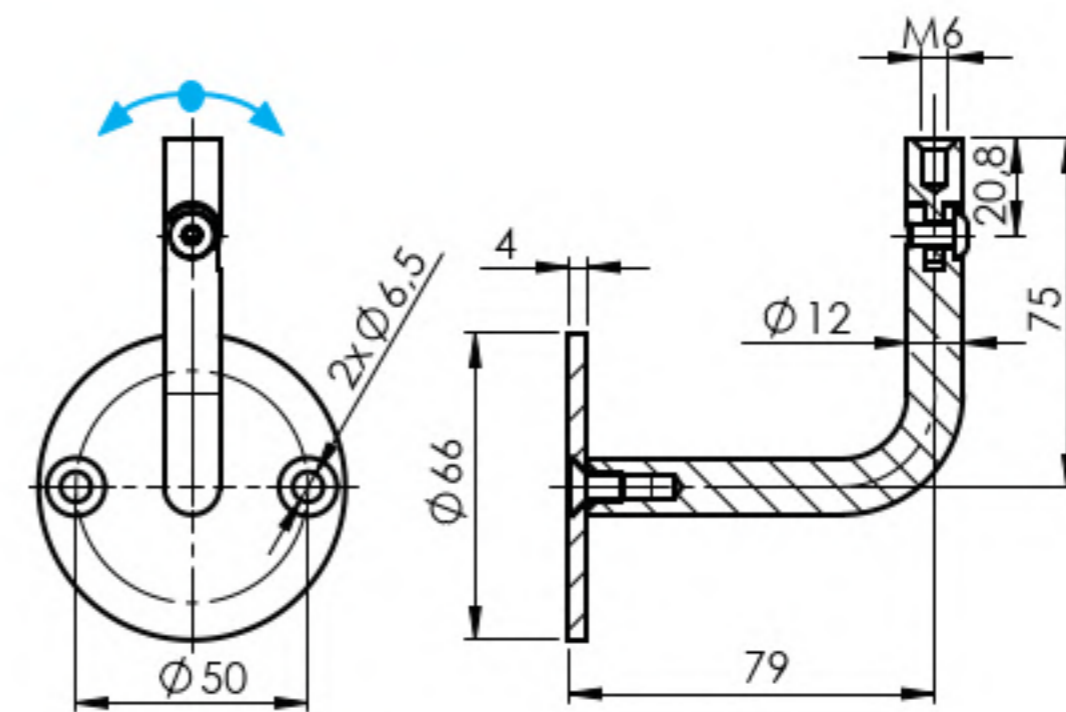
SYSTEM SCREW/SCREW



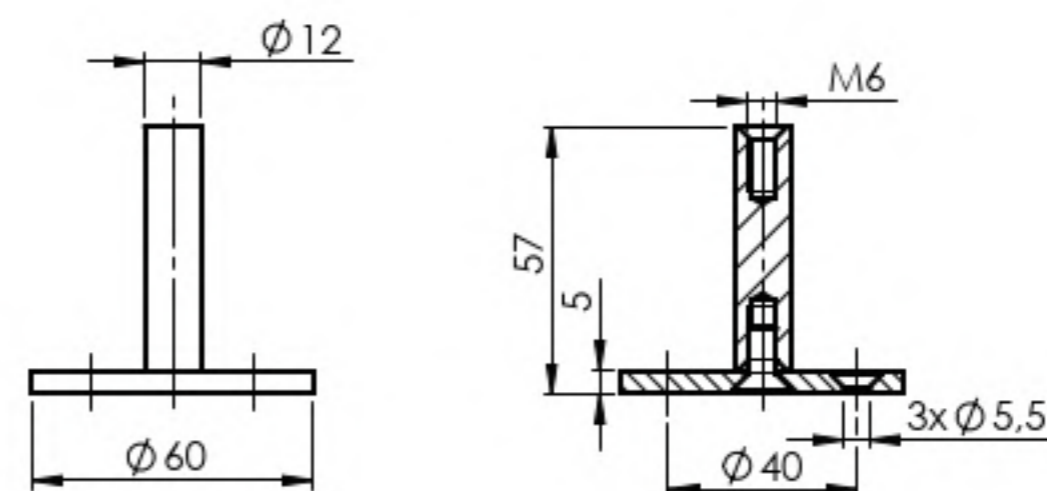
Quality	Finish	art.
AISI304	satın	A/0114-366-M6



Quality	Finish	art.
AISI304	satın	A/0114-370-M6

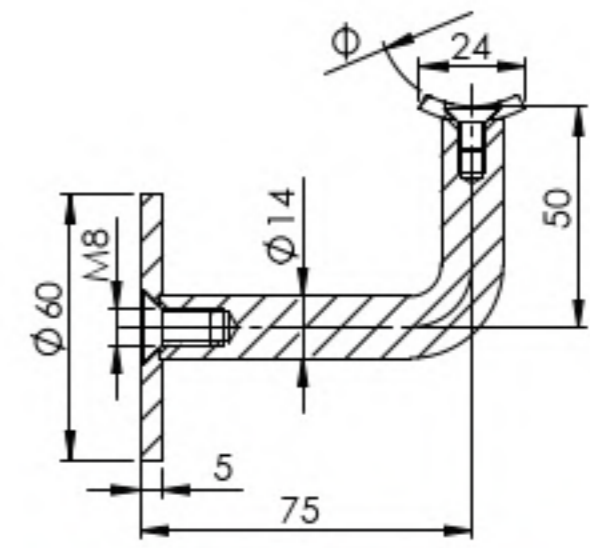
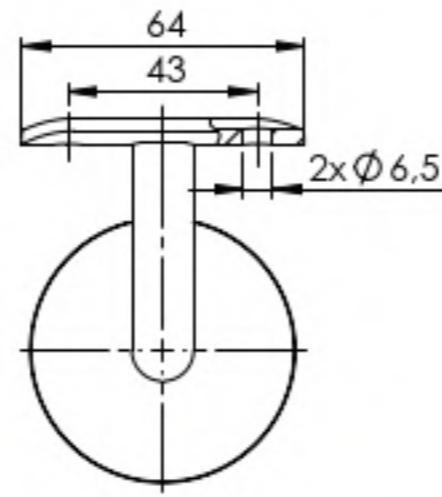


Quality	Finish	art.
AISI304	satın	A/0116-270
AISI316	satın	A14/0116-270



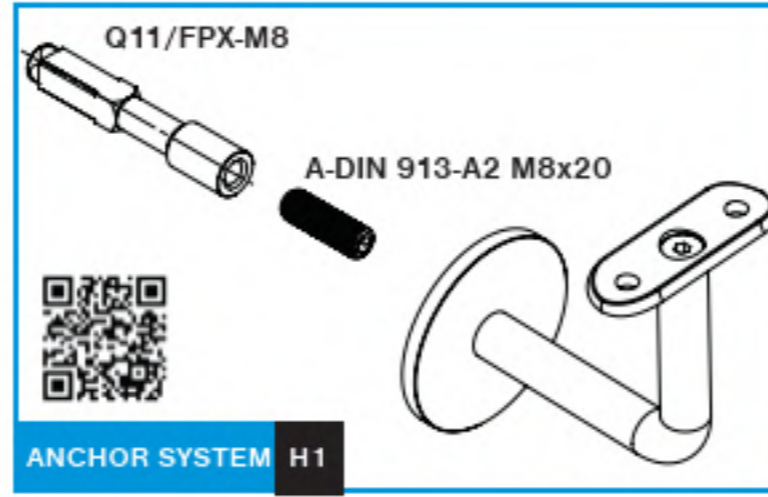
Quality	Finish	art.
AISI316	satın	A14/0708-base

SYSTEM COMPLETE

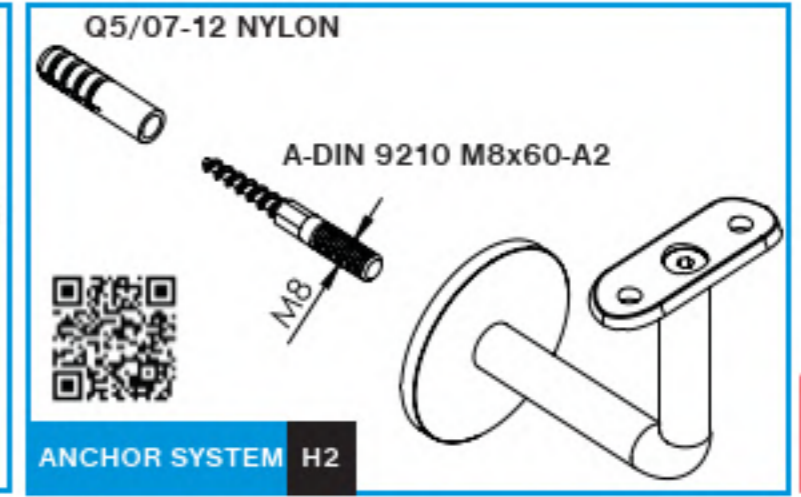


Quality	Finish	Ø	art.	anchor system
AISI304	satin	33,7	A/0111-033	H1,H2
			A/0111-042	
	PVD black	A-PVD/0111-042		
	BLACK RAL9005	A-BL/0111-042		
AISI316	satin	48,3	A/0111-048	H1,H2
	polish	42,4	A/0111-042-L	
AISI316	satin	42,4	A14/0111-042	H1,H2

new new



ANCHOR SYSTEM H1

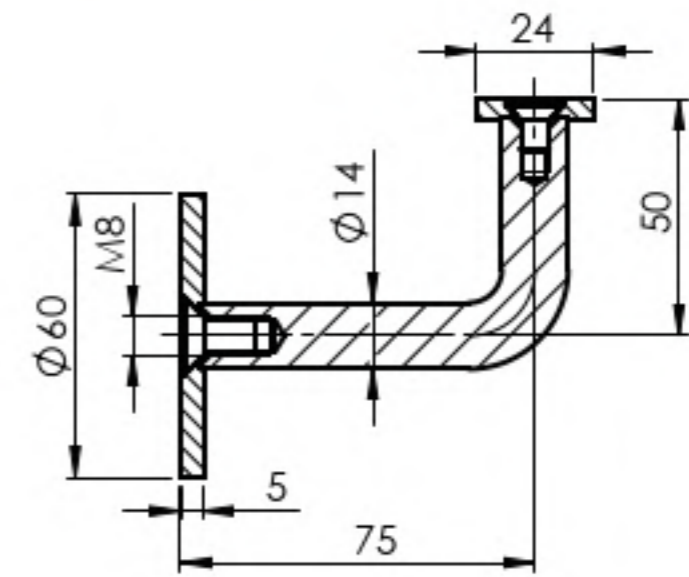
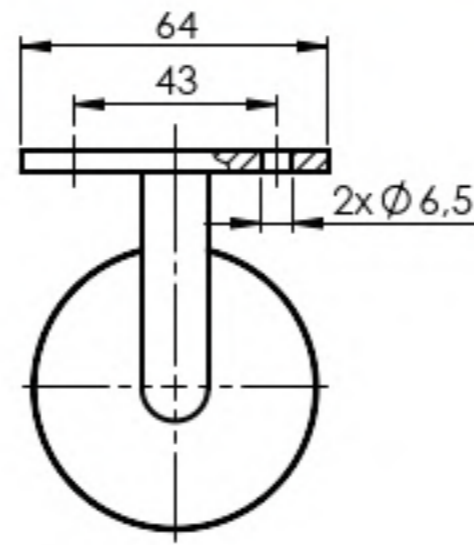


ANCHOR SYSTEM H2



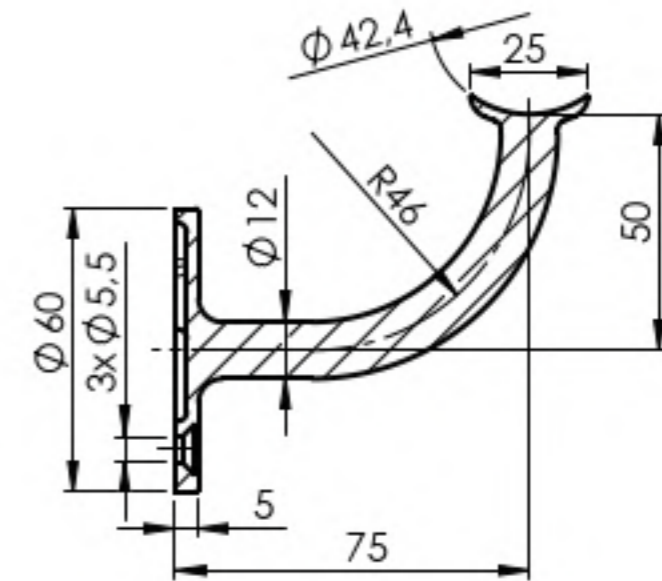
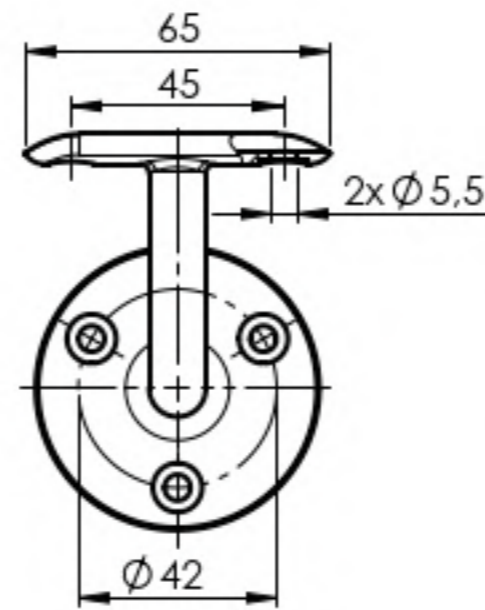
4

HANDRAIL HOLDERS

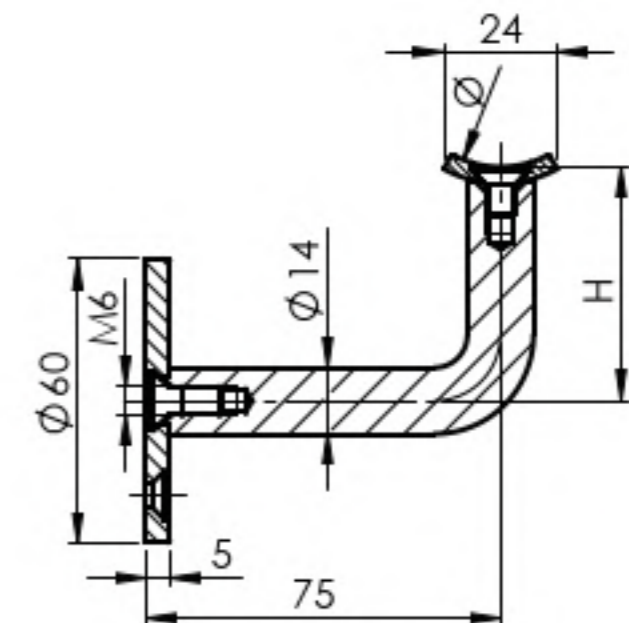
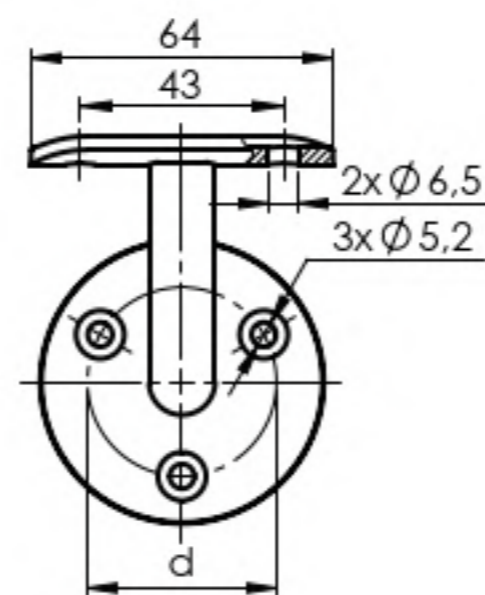


Quality	Finish	art.	anchor system
AISI304	satin	A/0111-000	H1,H2

top



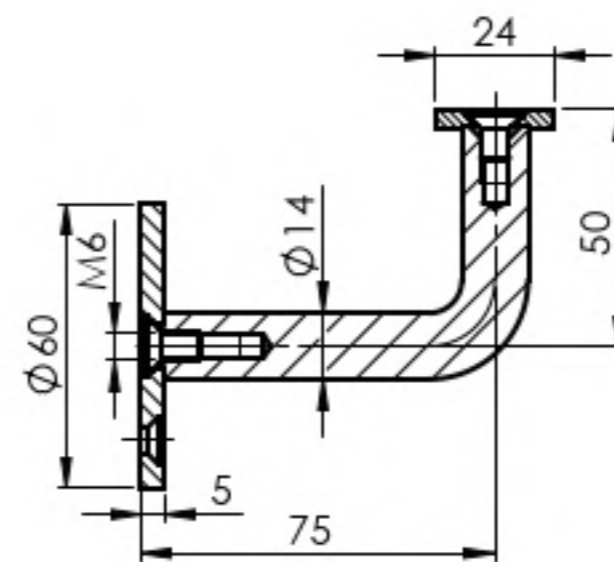
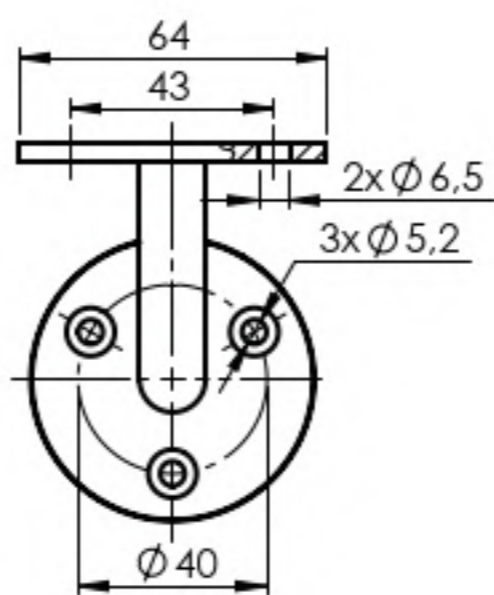
Quality	Finish	art.
AISI304	satin	A/0112-042-A
AISI316	polish	A14/0112-042-A-L



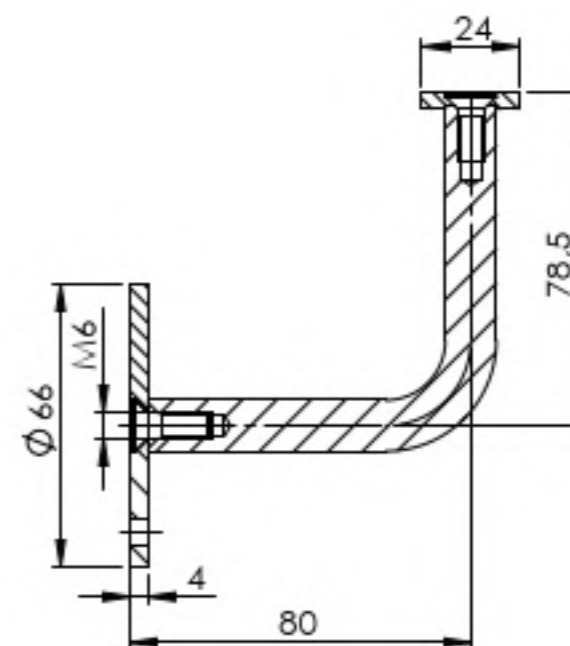
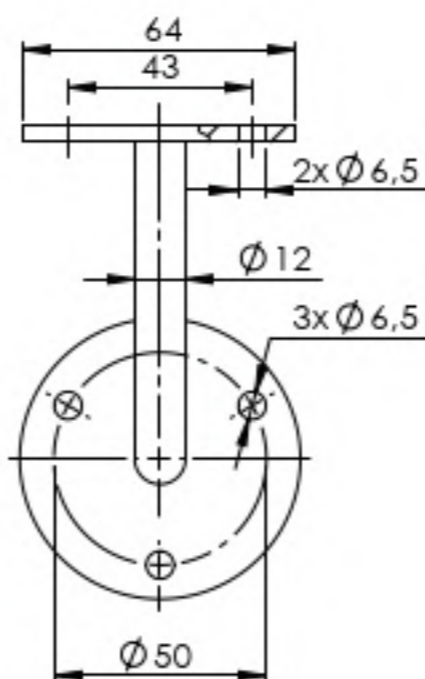
Quality	Finish	art.	d	H	
AISI304	satin	33,7	A/0112-033	40	50
		42,4	A/0112-042		
		48,3	A/0112-048		
	polish	42,4	A/0112-042-B-L A/0112-042-L		
AISI316	satin	42,4	A14/0112-042	40	50
		48,3	A14/0112-048		
	polish	42,4	A14/0112-042-L		

top

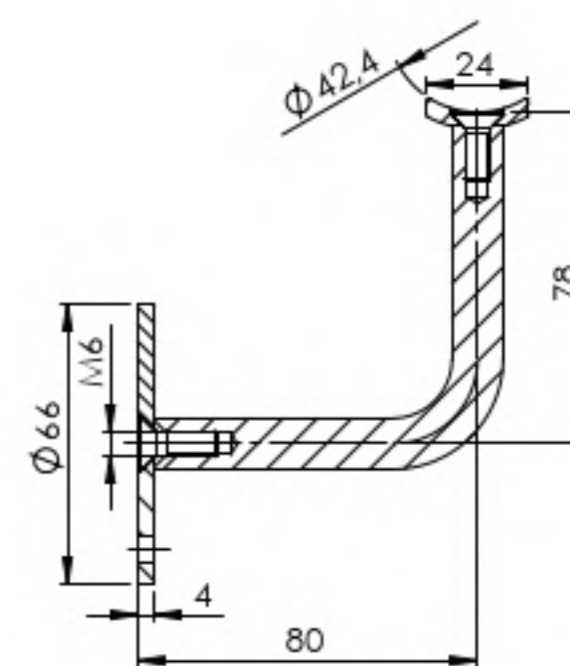
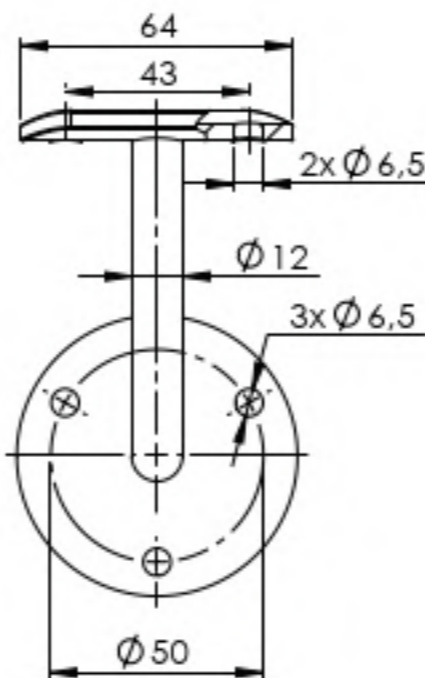
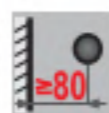
SYSTEM COMPLETE



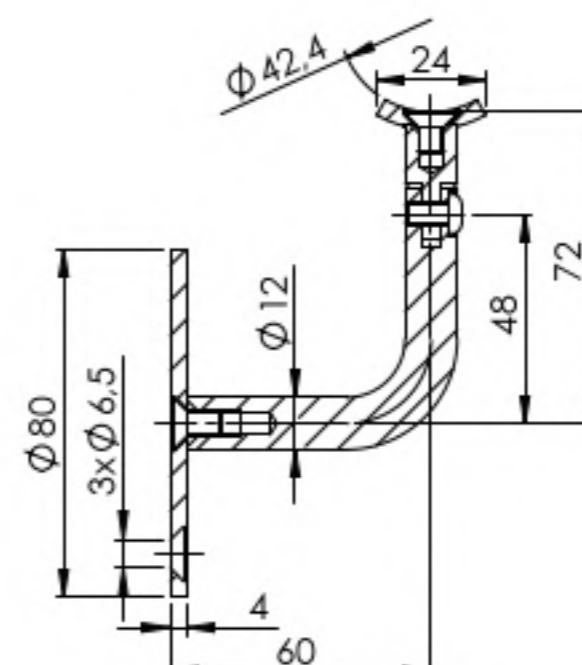
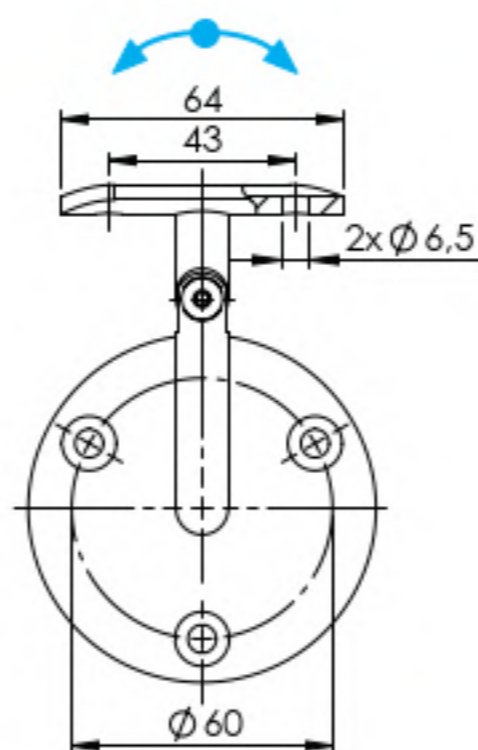
Quality	Finish	art.
AISI304	satin	A/0112-000
AISI316		A14/0112-000



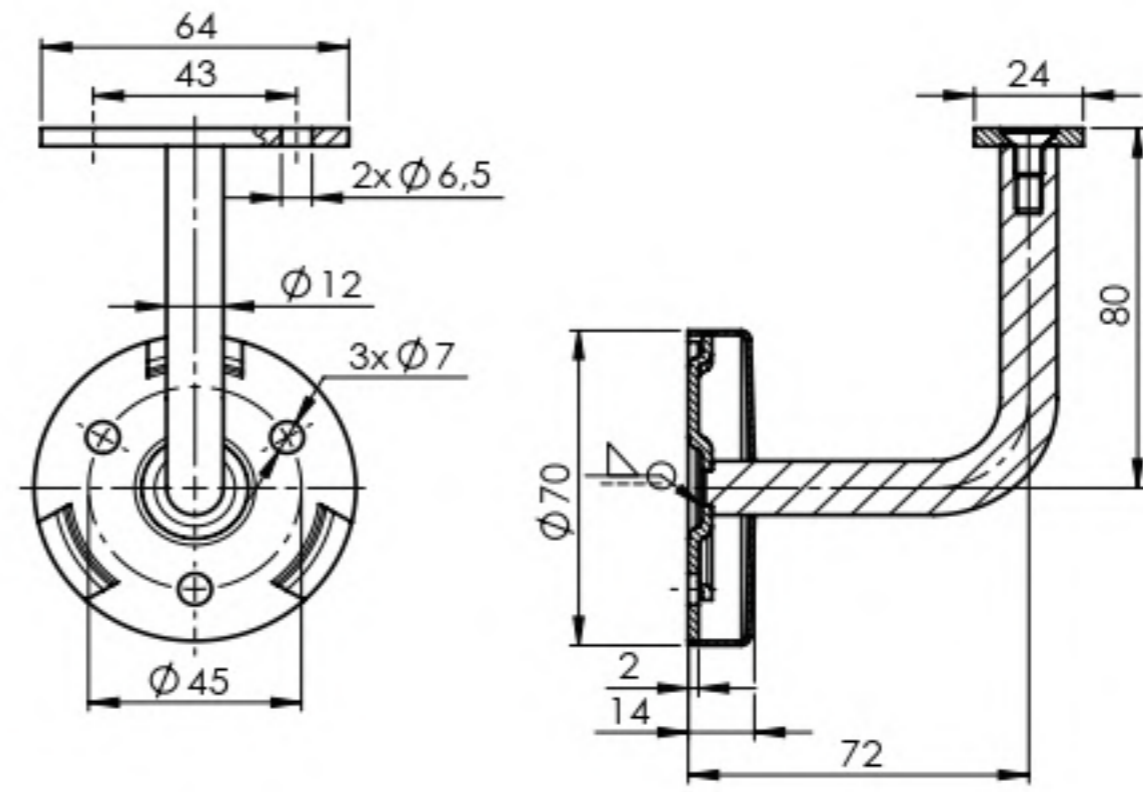
Quality	Finish	art.
AISI304	satin	A/0115-000



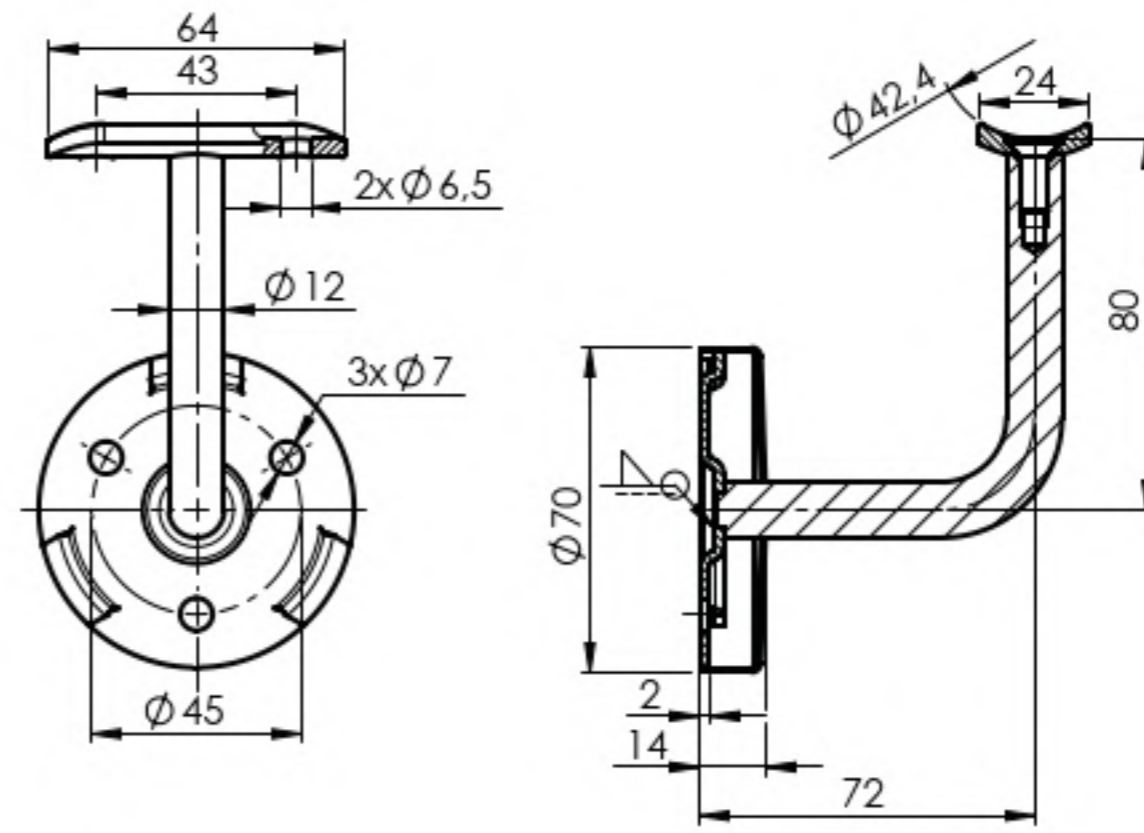
Quality	Finish	art.
AISI304	satin	A/0115-042



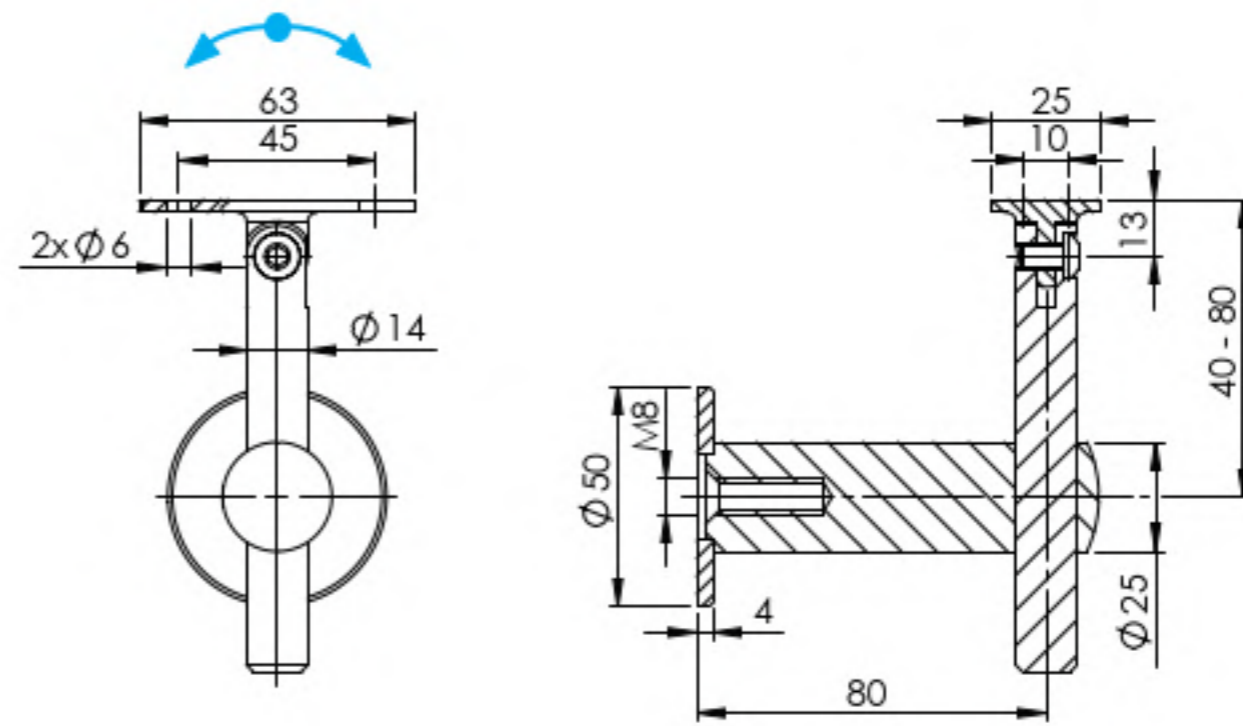
Quality	Finish	art.
AISI304	satin	A/0116-042



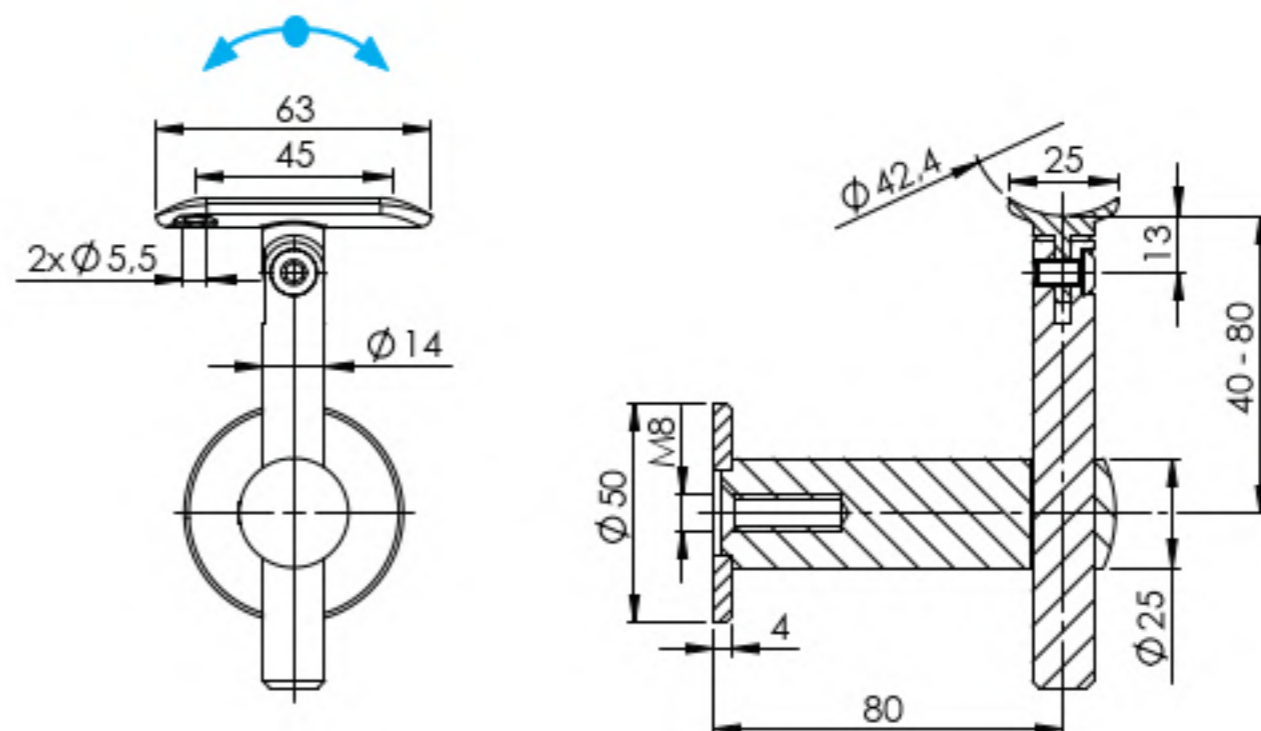
Quality	Finish	art.
AISI304	satın	A/0117-000-B



Quality	Finish	art.
AISI304	satın	A/0117-042-B
AISI316		A14/0117-042-B



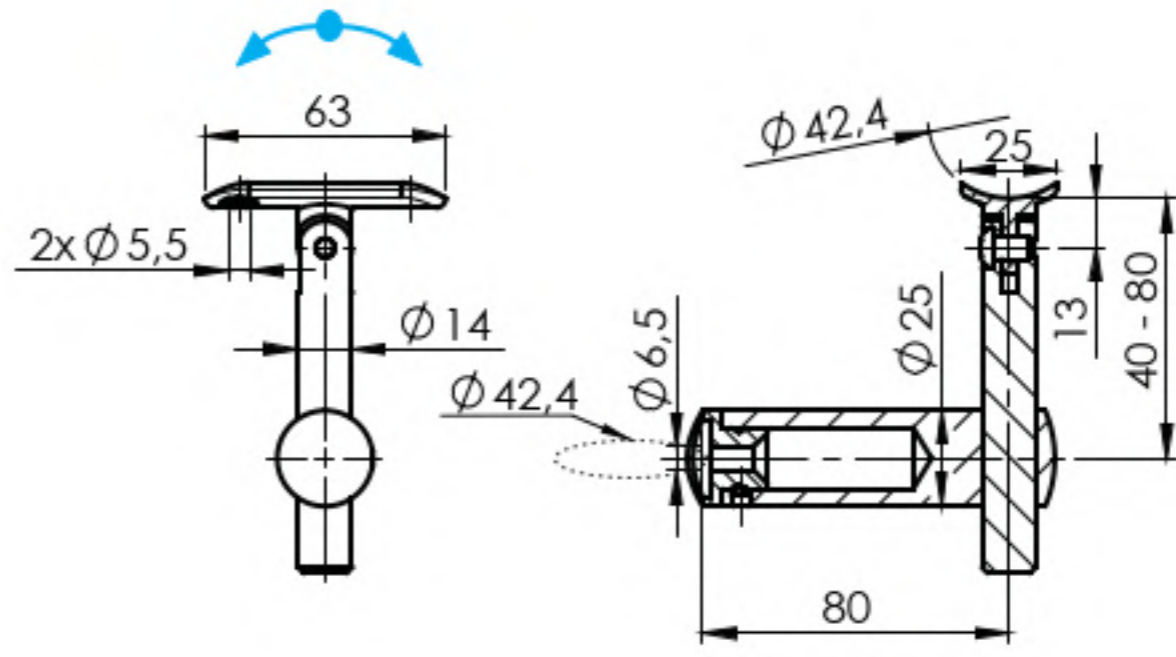
Quality	Finish	art.	anchor system
AISI304	satın	A/0145-000	H1,H2



Quality	Finish	art.	anchor system
AISI304	satın	A/0145-042	H1,H2

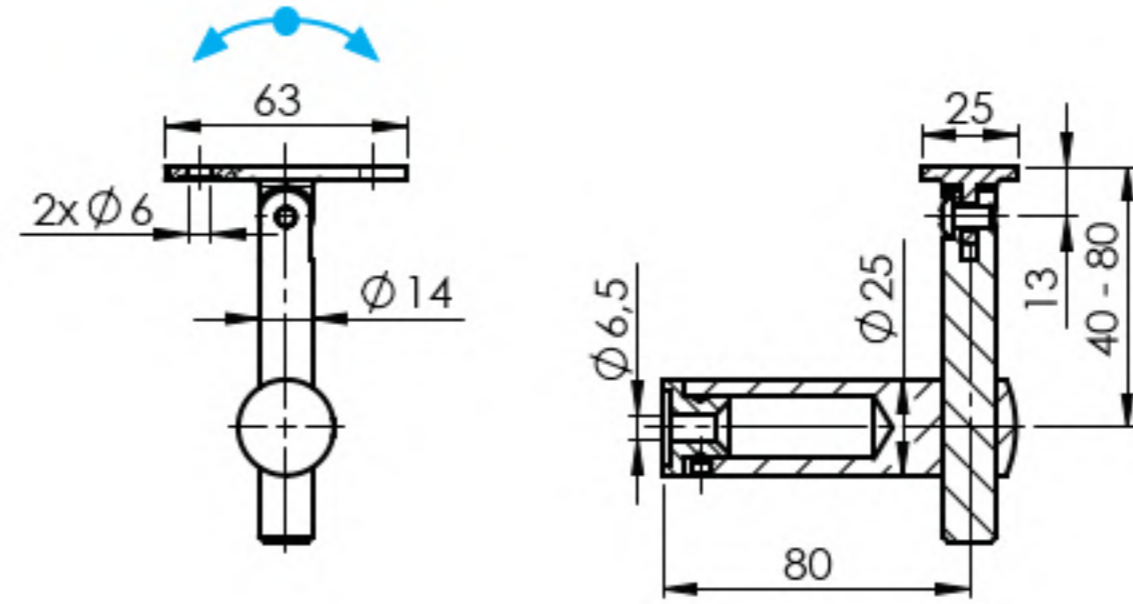


SYSTEM COMPLETE

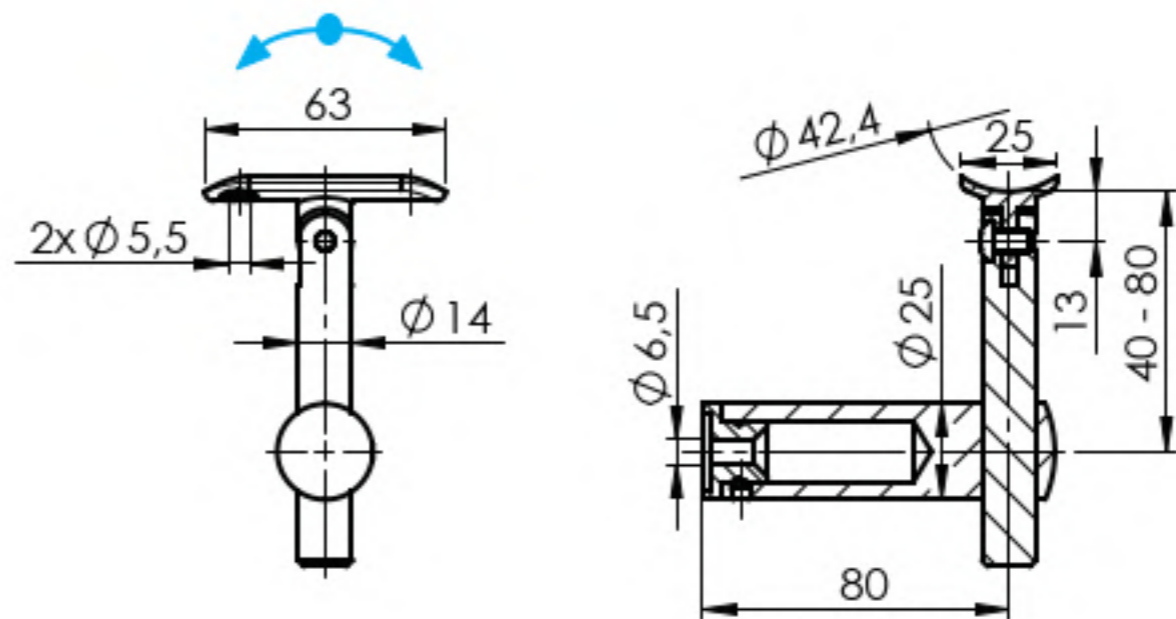
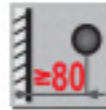


Quality	Finish	art.
AISI304	satin	A/0135-042
AISI316		A14/0135-042

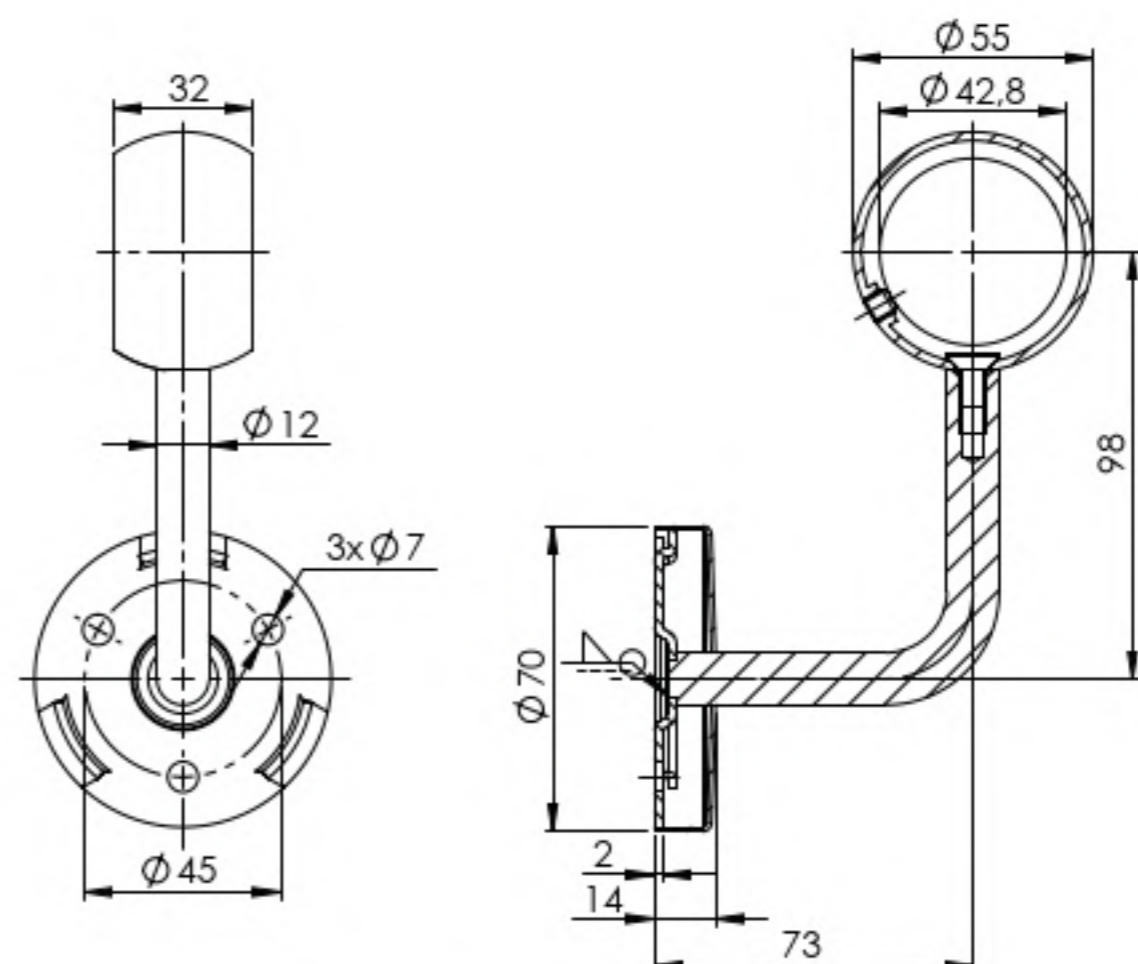
new



Quality	Finish	art.
AISI304	satin	A/0136-000

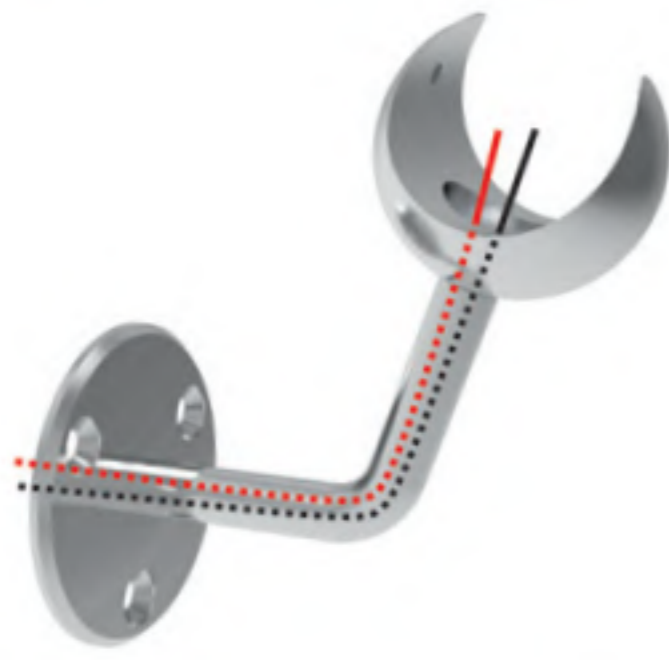


Quality	Finish	art.
AISI304	satin	A/0136-042
	polish	A/0136-042-L

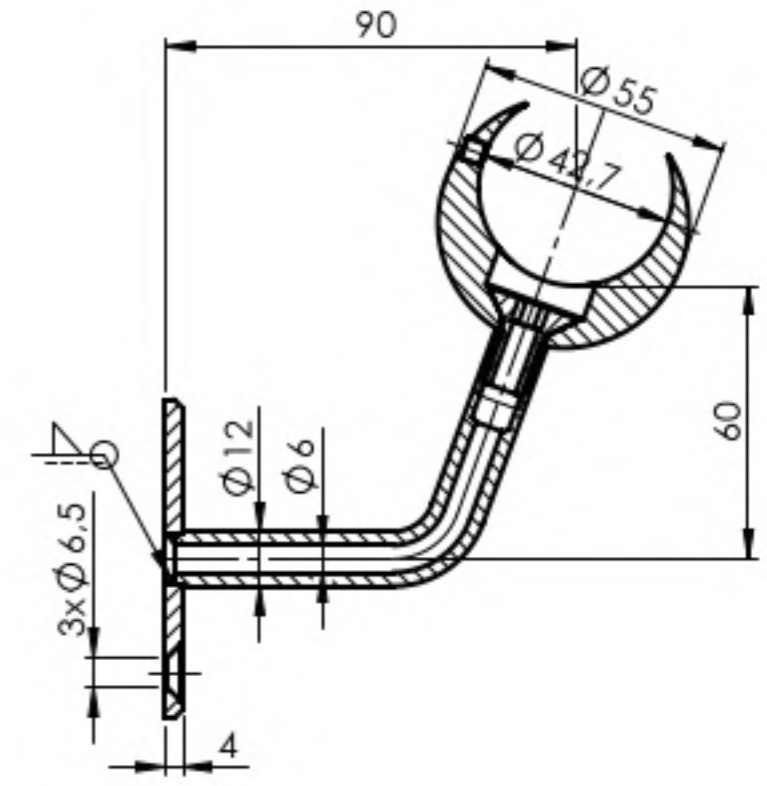
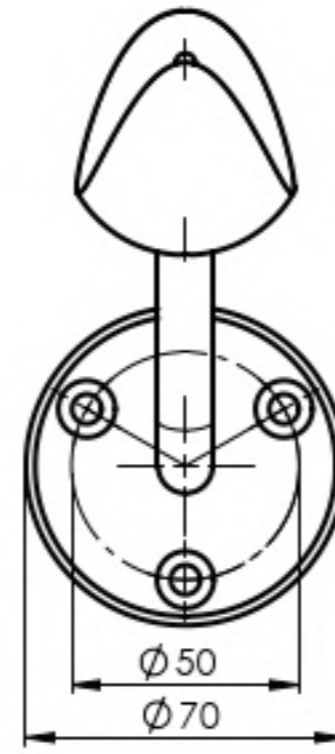
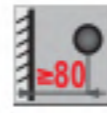


Quality	Finish	art.
AISI304	satin	A/0110-42-55-35

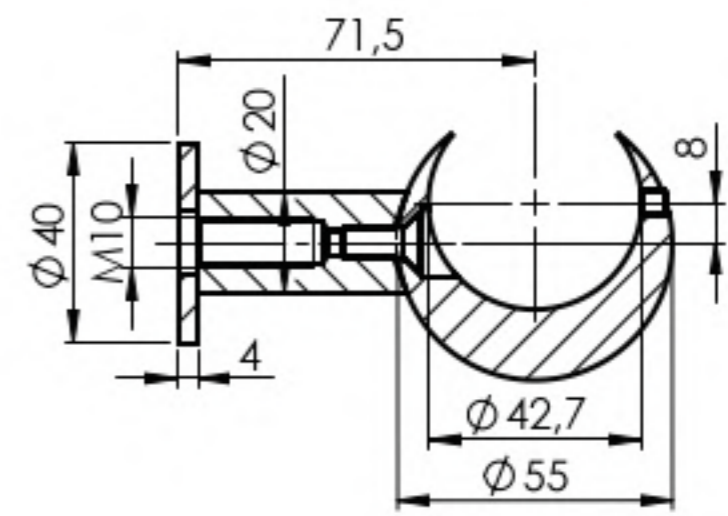
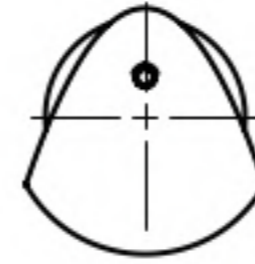
SYSTEM COMPLETE



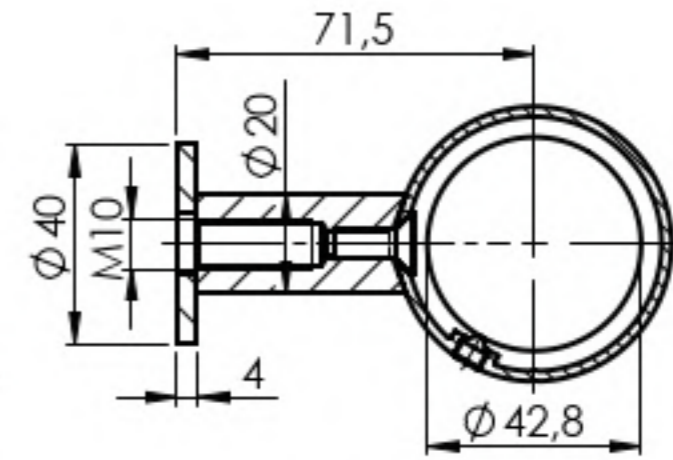
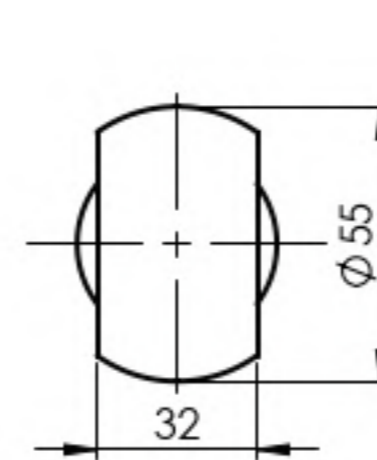
Quality	Finish	art.
AISI316	satın	A14/4114-042-LED



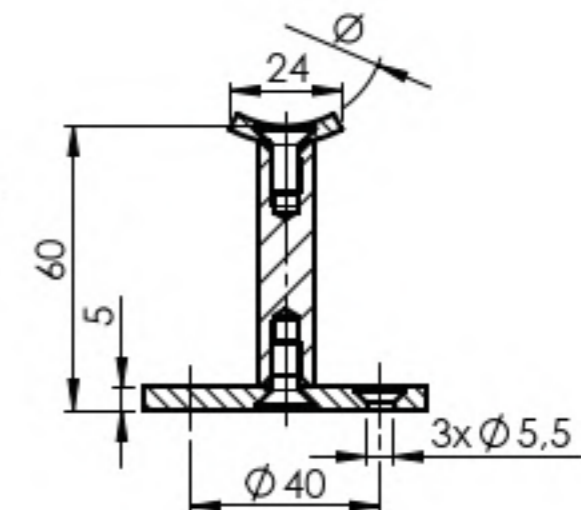
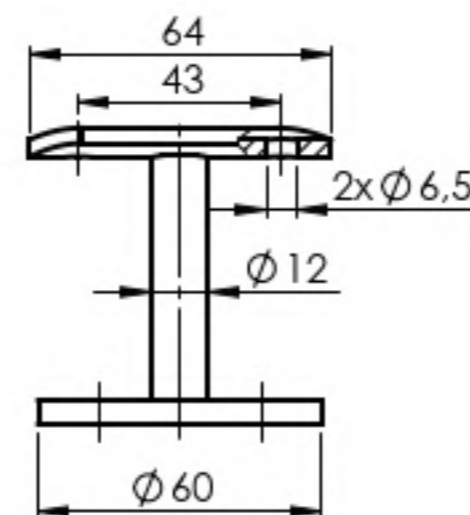
Quality	Finish	art.	anchor system
AISI304	satın	A/0708-42-55-C	H1,H2

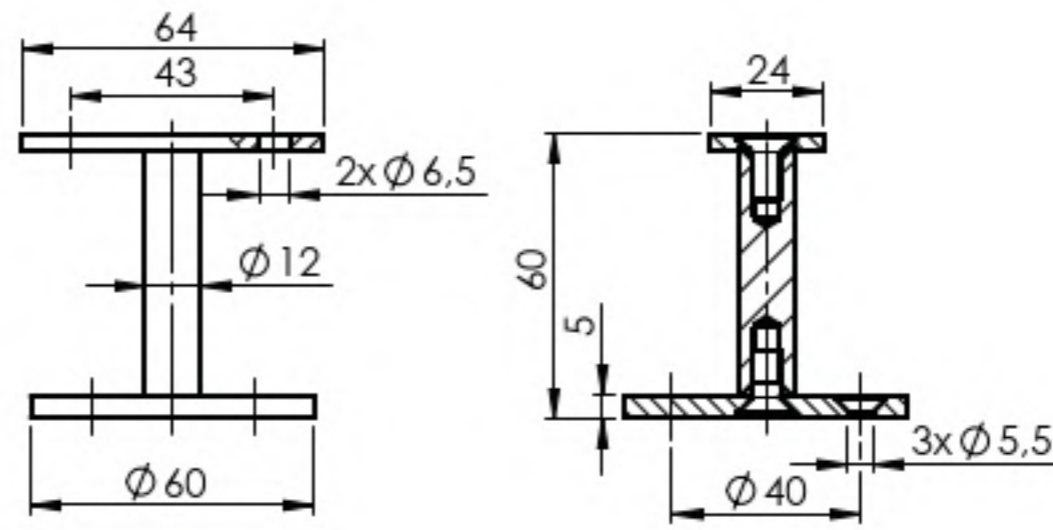


Quality	Finish	art.	anchor system
AISI304	satın	A/0708-42-55-35	H1,H2

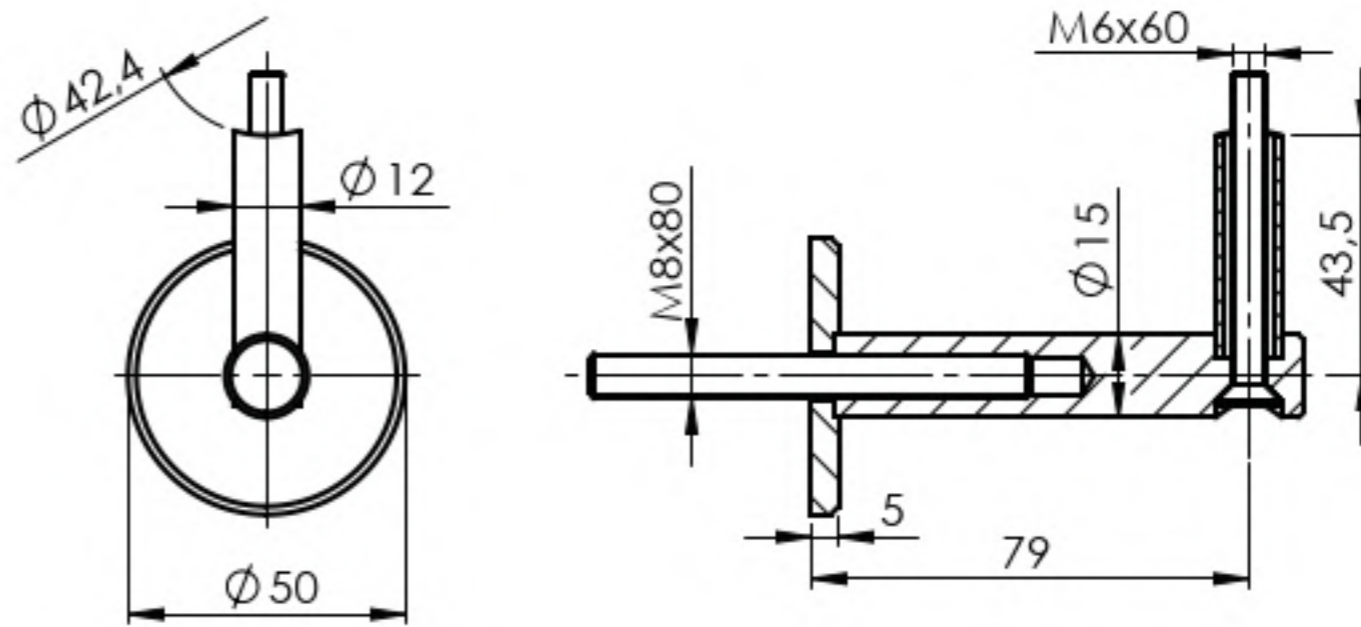
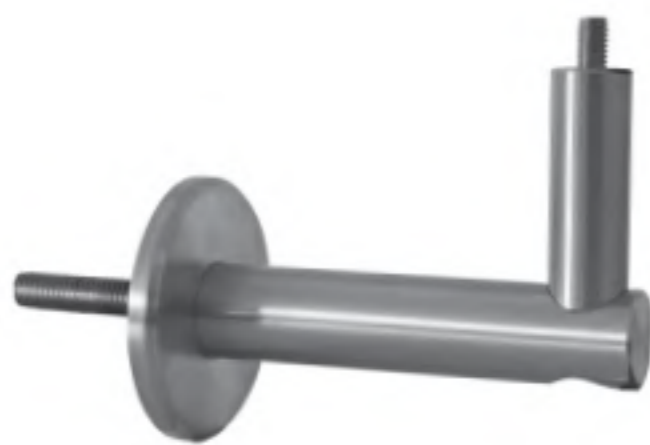


Quality	Finish	Ø	art.
AISI304	satın	42,4	A/0708-042-B
		48,3	A/0708-048
AISI316		42,4	A14/0708-042

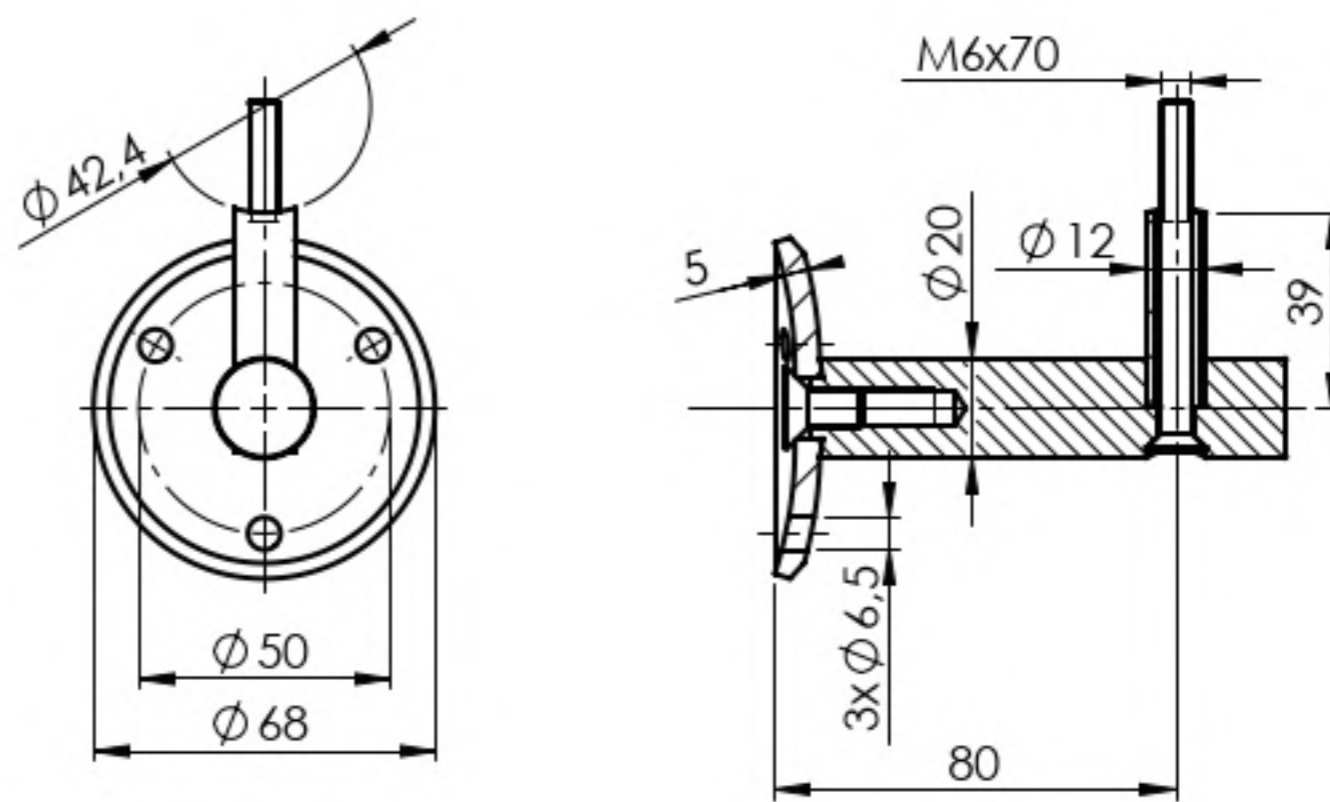




Quality	Finish	art.
AISI304	satın	A/0708-000

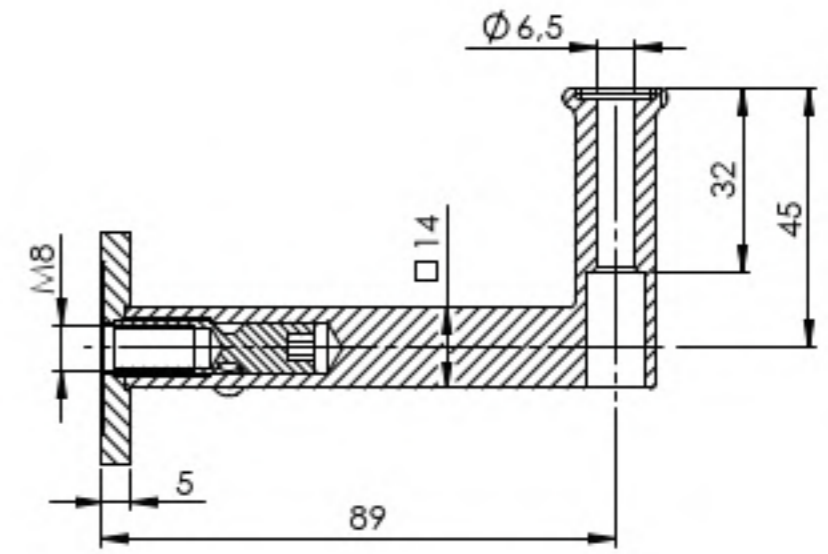
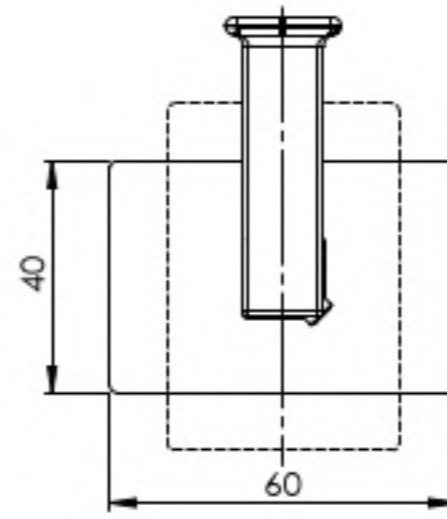


Quality	Finish	art.	anchor system
AISI304	satın	A/0134-042	H1,H2

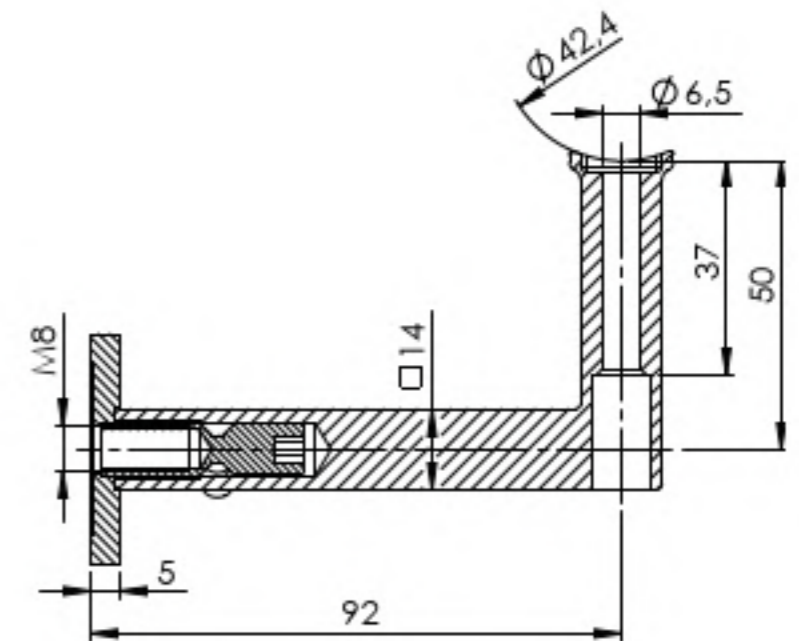
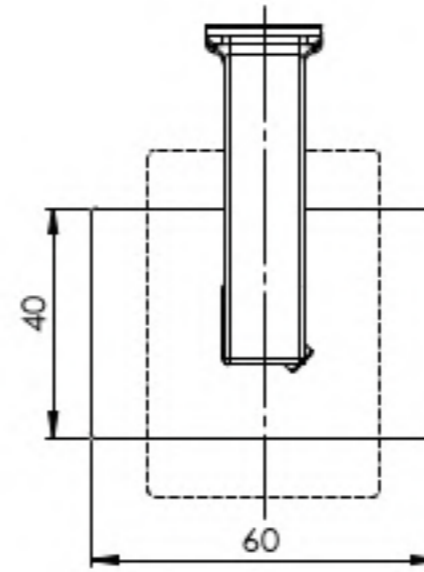
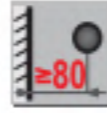


Quality	Finish	art.
AISI304	satın	A/0134-042-B

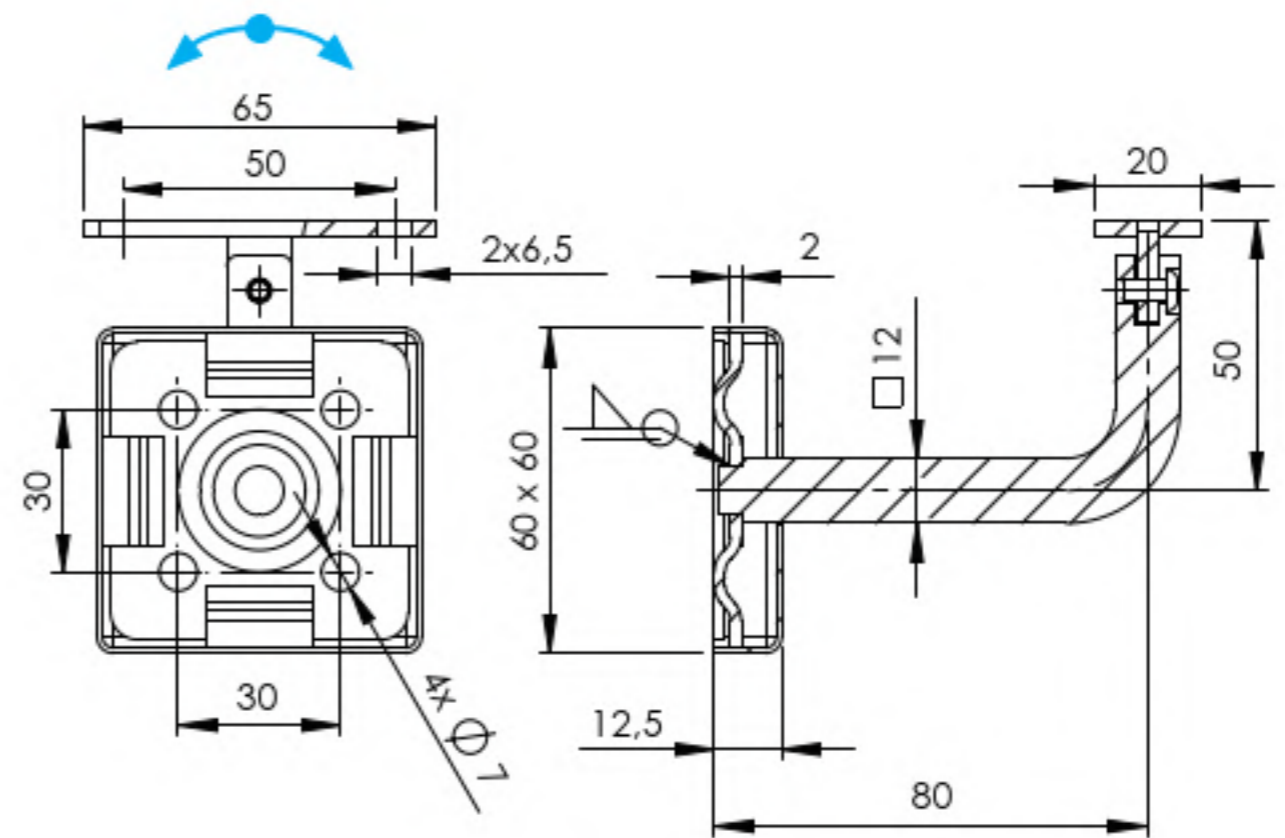
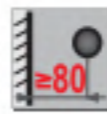




Quality	Finish	art.	anchor system
AISI304	satın	A/4111-000	H1,H2

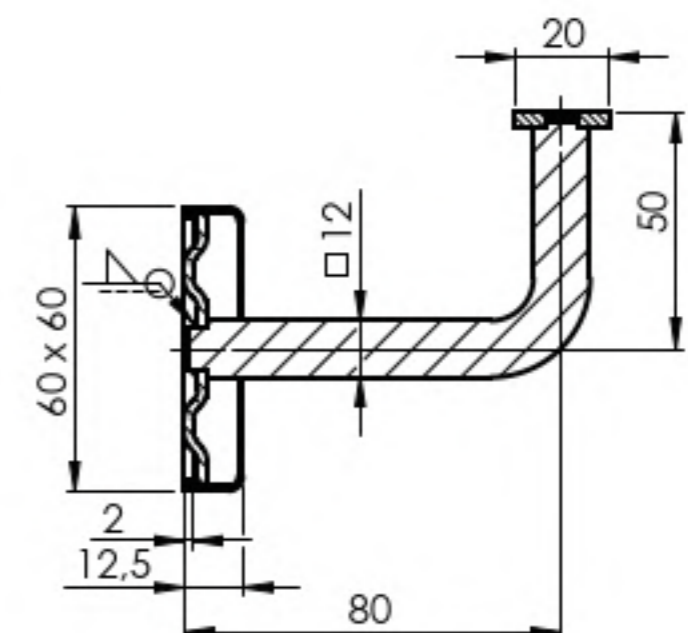
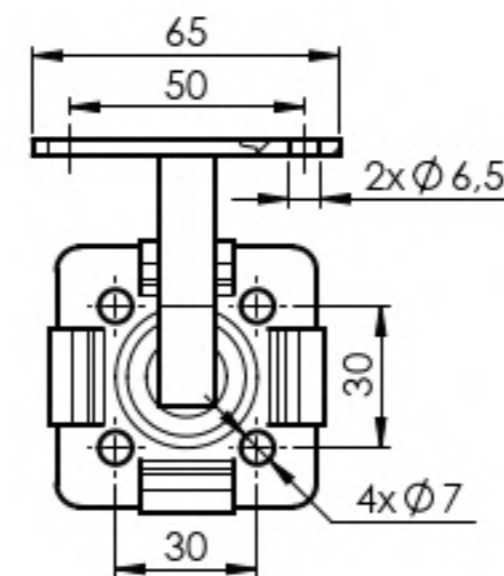
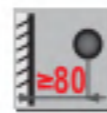


Quality	Finish	art.	anchor system
AISI304	satın	A/4111-042	H1,H2



Quality	Finish	art.
AISI304	satın	A/4120-000

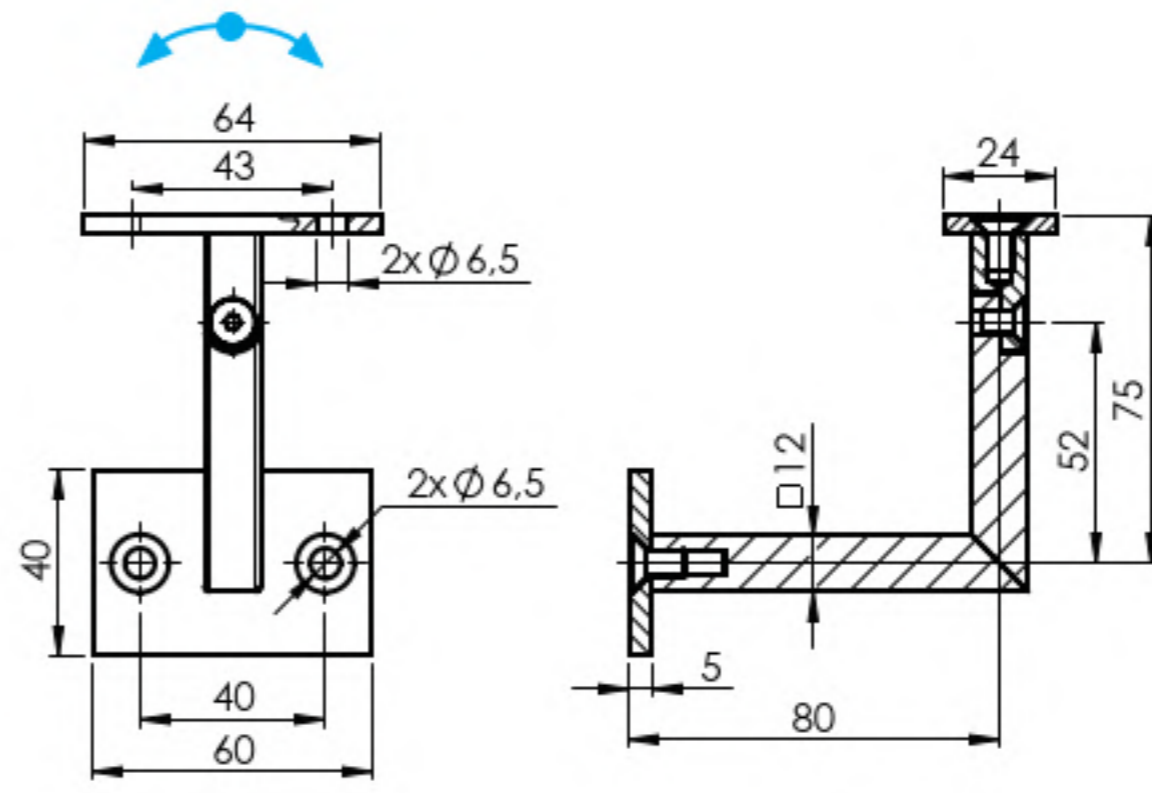
new



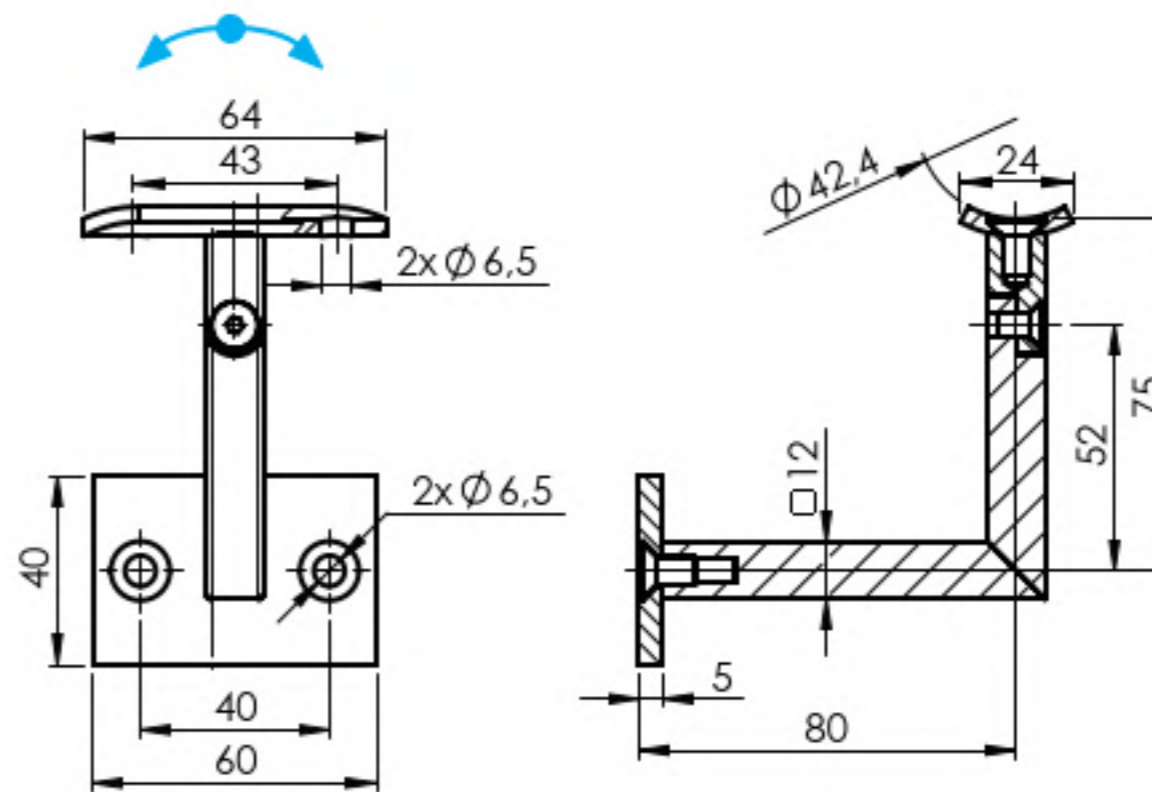
Quality	Finish	art.
AISI304	satın	A/4110-000



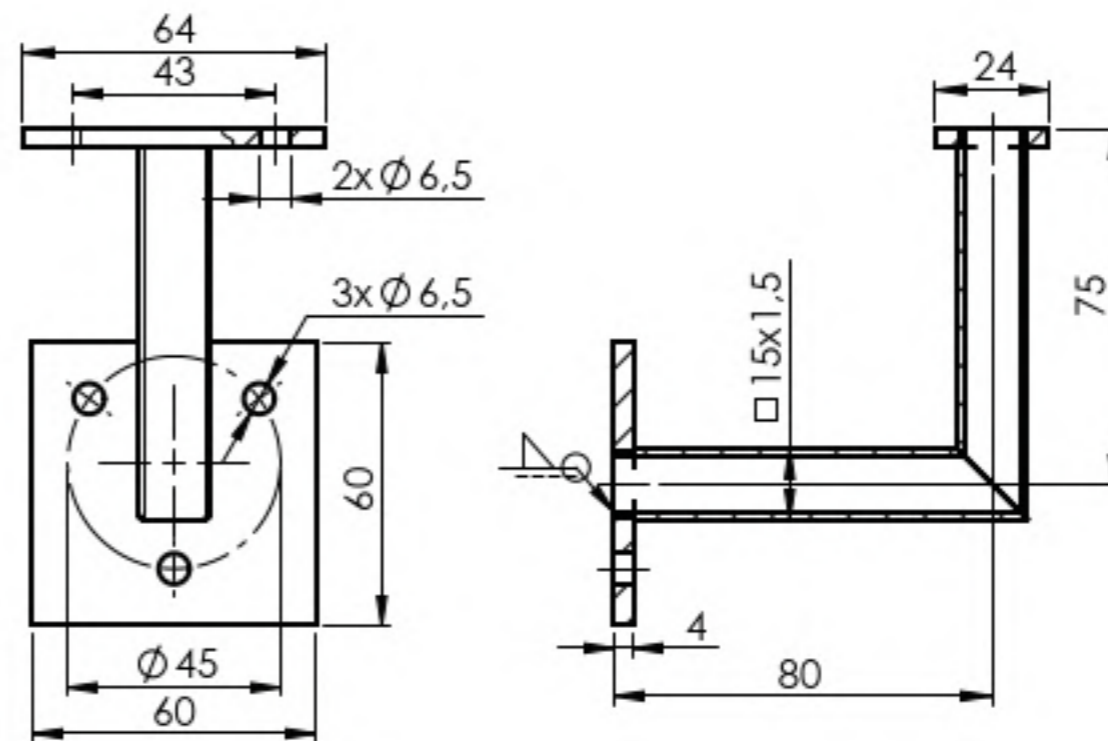
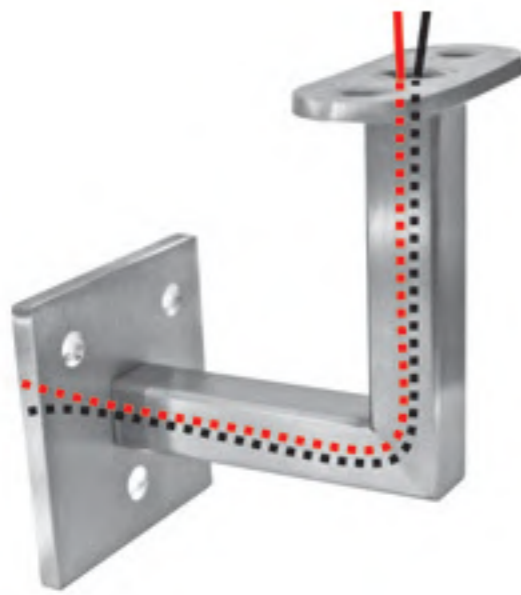
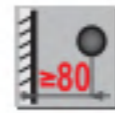
SYSTEM COMPLETE



Quality	Finish	art.
AISI304	satın	A/4145-000



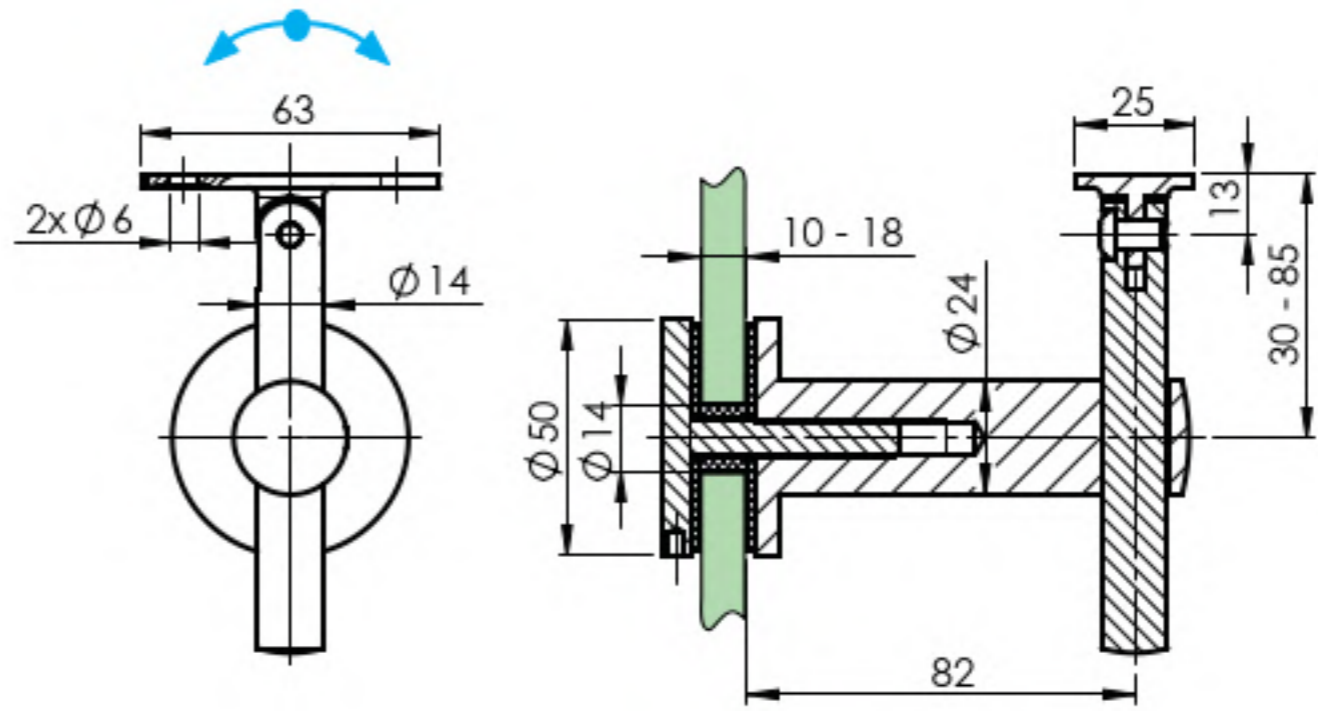
Quality	Finish	art.
AISI304	satın	A/4145-042



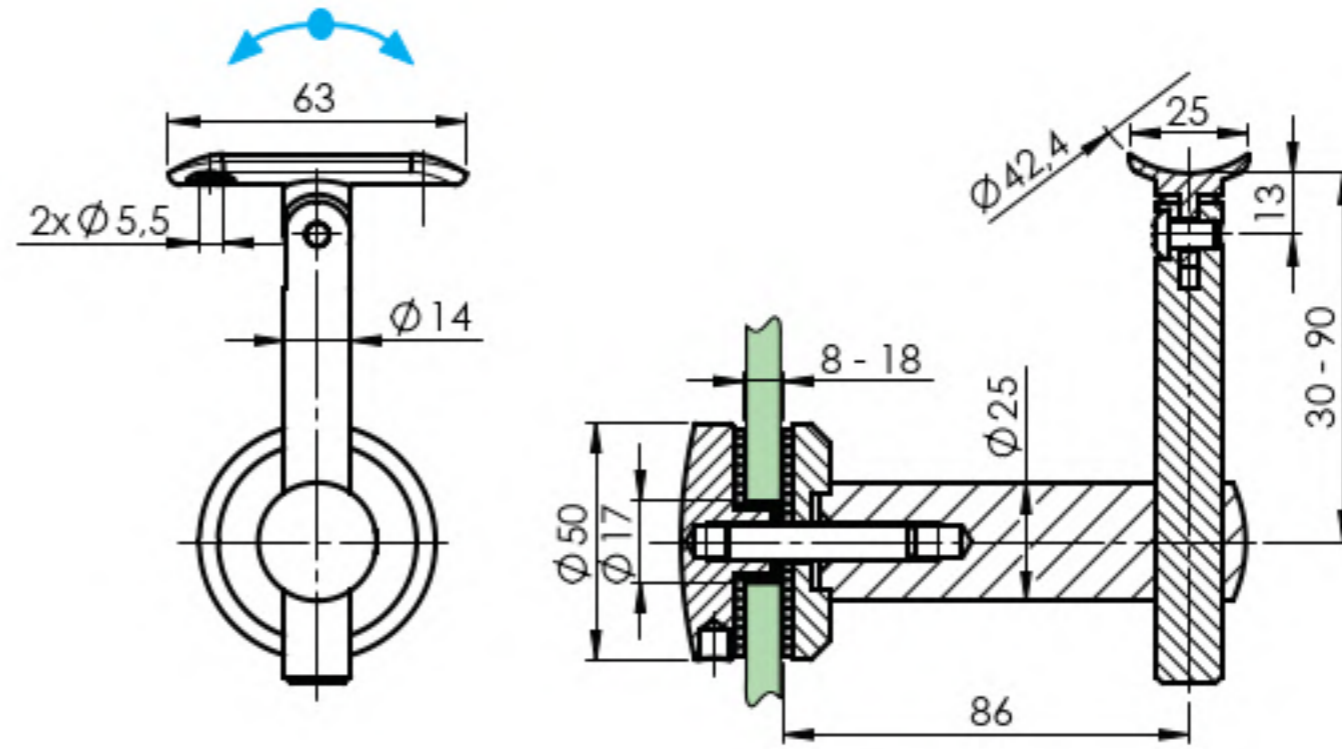
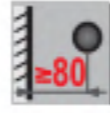
Quality	Finish	art.
AISI304	satın	A/4111-000-LED



SYSTEM GLASS

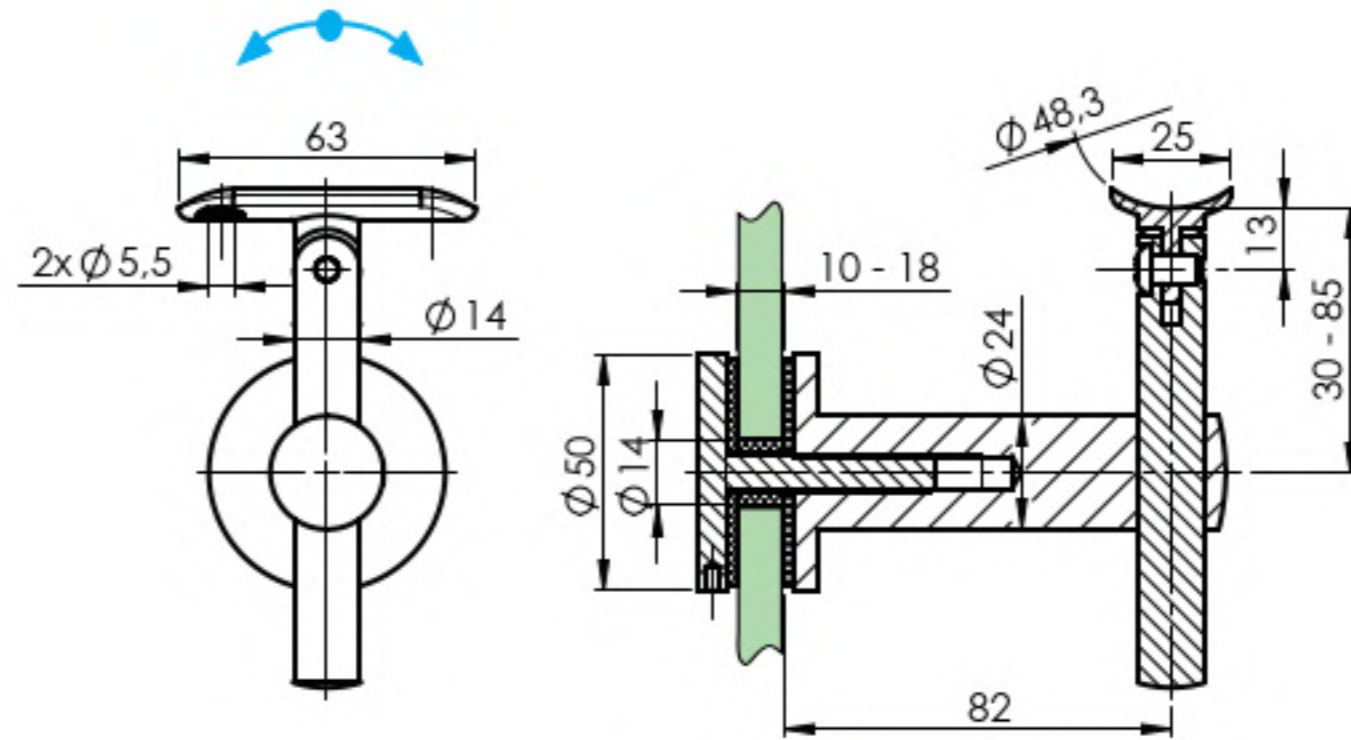
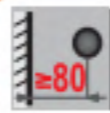


Quality	Finish	art.	Glass hole
AISI304	satin	A/0155-000	20

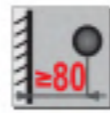


Quality	Finish	art.	Glass hole
AISI304	satin	A/0155-042-B	20
AISI316		A14/0155-042	

top

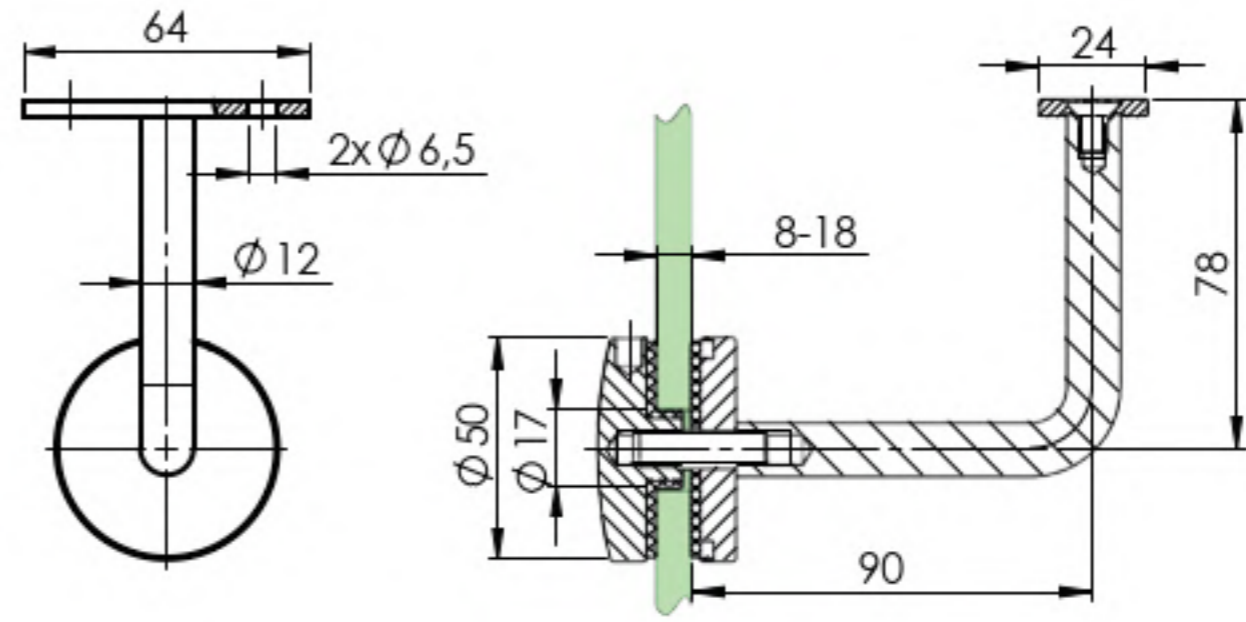


Quality	Finish	art.	Glass hole
AISI316	satin	A14/0155-048	20

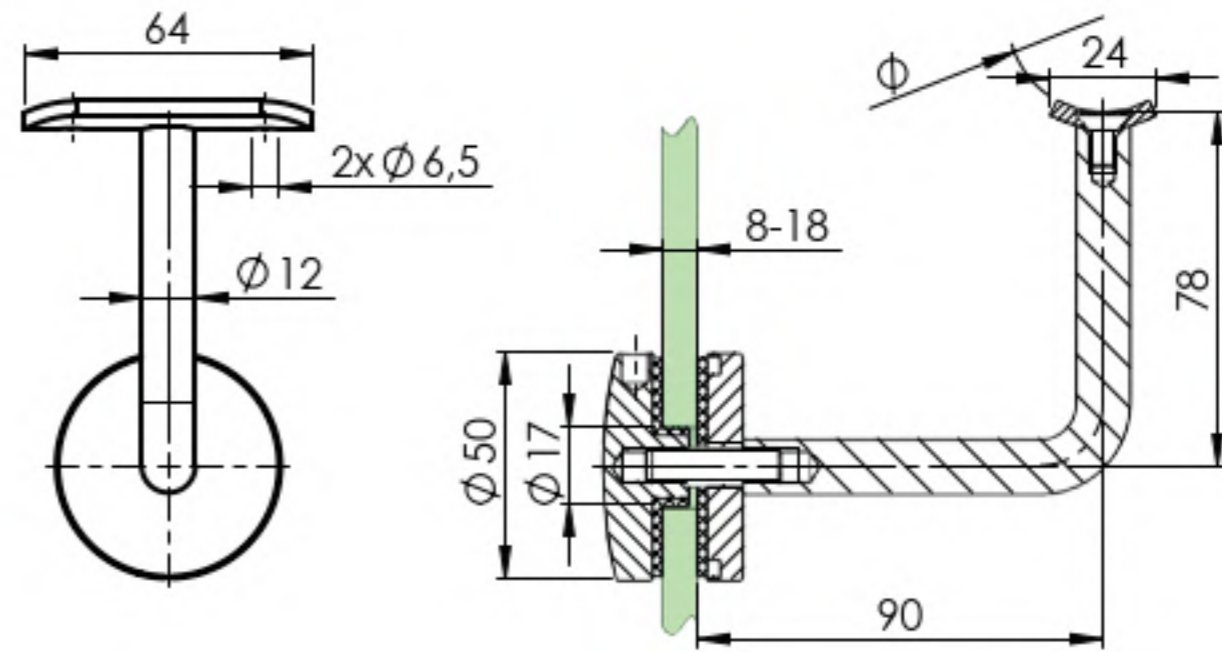
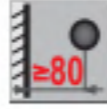


4
HANDRAIL HOLDERS

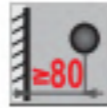
SYSTEM GLASS



Quality	Finish	art.	Glass hole
AISI304	satın	A/0156-000	20

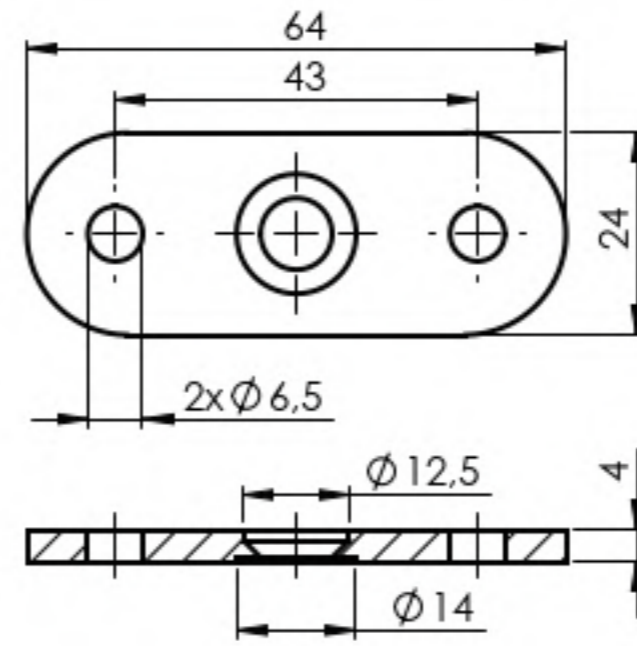


Quality	Finish	art.	∅	Glass hole
AISI304	satın	A/0156-042	42,4	20
		A/0156-048	48,3	



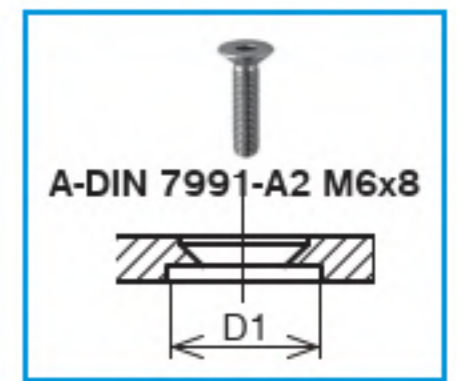
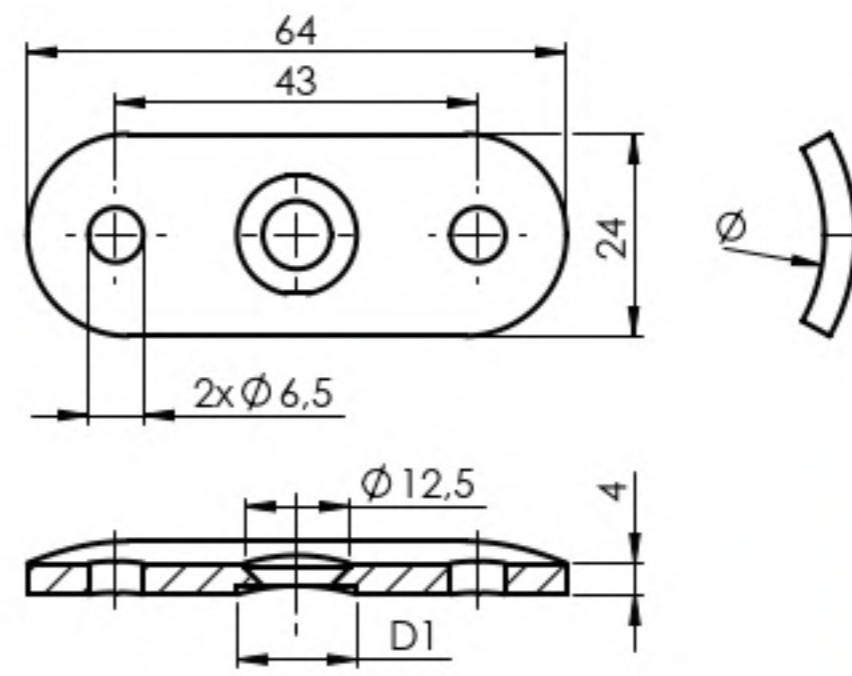


Quality	Finish	art.
AISI304	satin	A/1800-000
AISI316		A14/1800-000



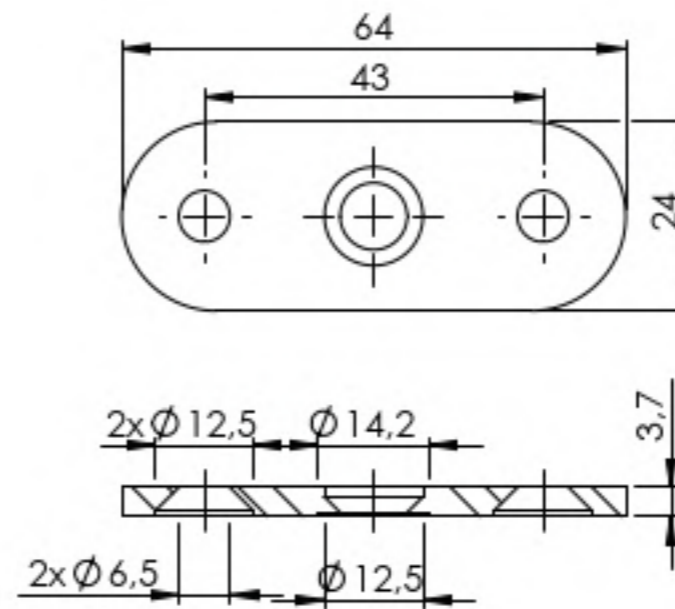
Quality	Finish	Ø	art.	D1
AISI304	satin	33,7	A/1800-033	14
		42,4	A/1800-042	
		48,3	A/1800-048	
AISI316	satin	42,4	A/1800-042-L	14
		48,3	A14/1800-042	
		48,3	A14/1800-048	

top



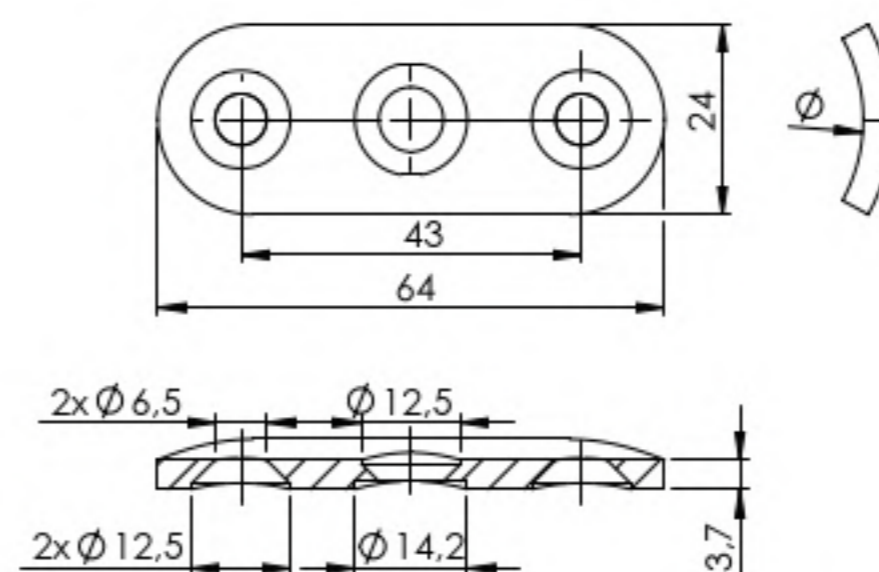
Quality	Finish	art.
AISI304	satin	A/1800-100

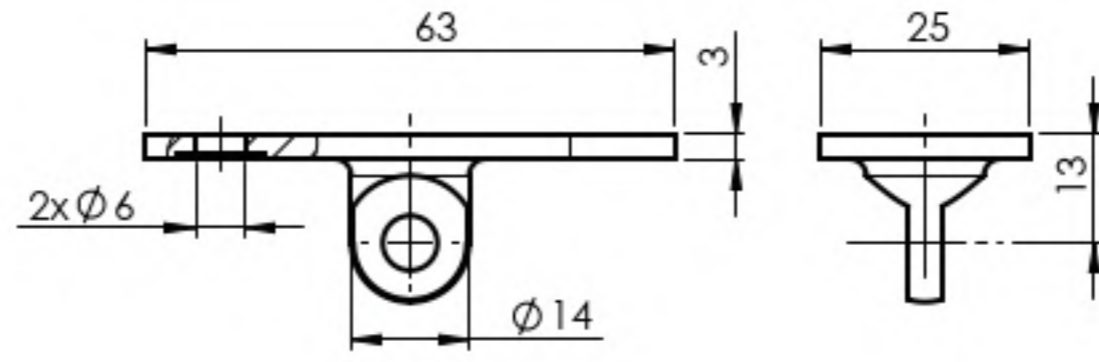
new



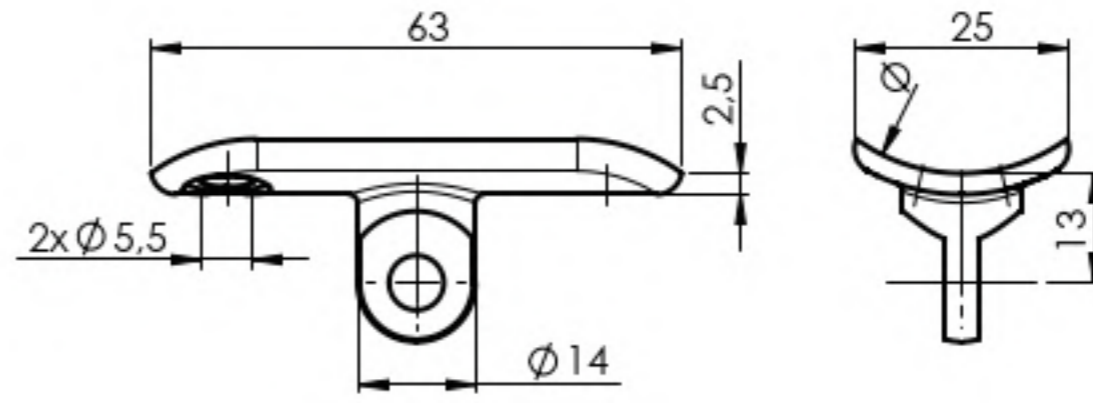
Quality	Finish	Ø	art.
AISI304	satin	33,7	A/1800-133
		42,4	A/1800-142
		48,3	A/1800-148

*new
new
new*

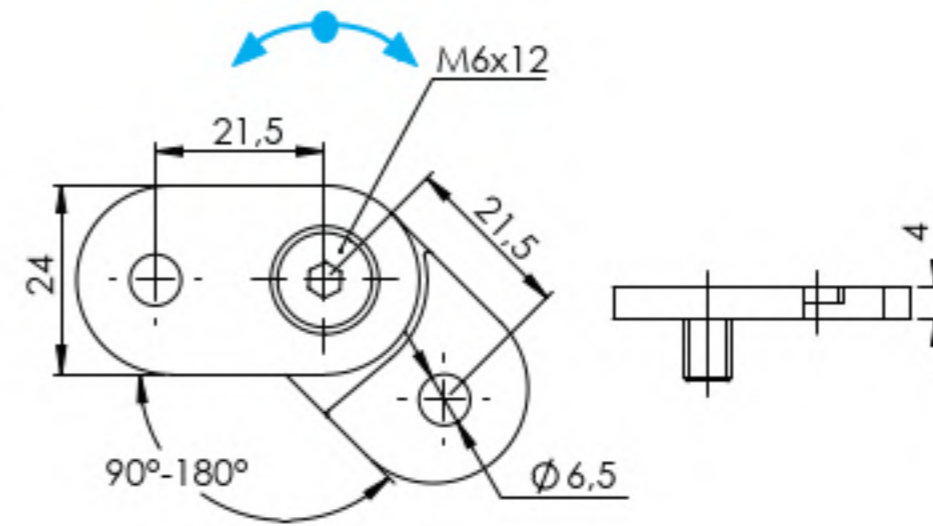




Quality	Finish	art.	t
AISI304	satin	A/1800-200	3
AISI316		A14/1800-200	

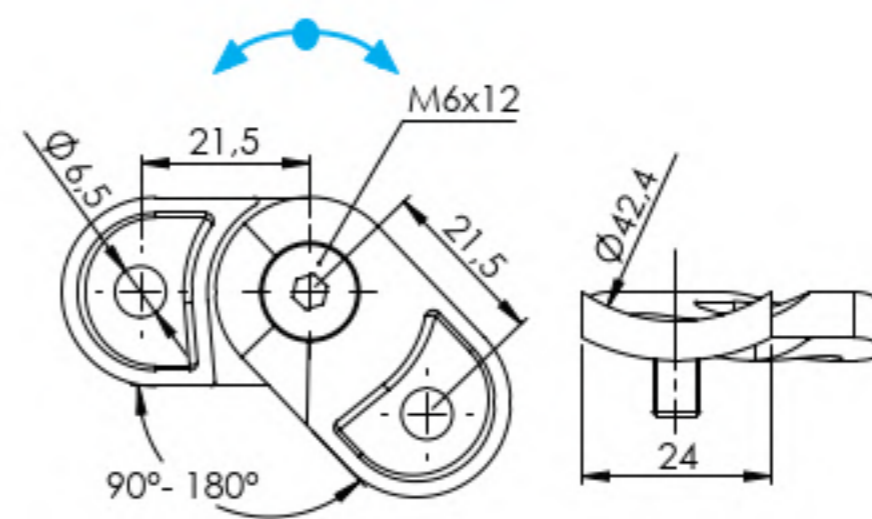
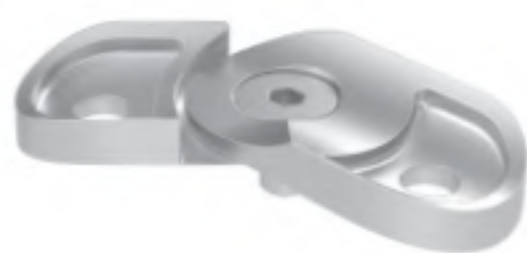


Quality	Finish	Ø	art.
AISI304	satin	42,4	A/1800-242
AISI316		48,3	A/1800-248
		42,4	A14/1800-242



Quality	Finish	art.
AISI304	satin	A/1881-000

new

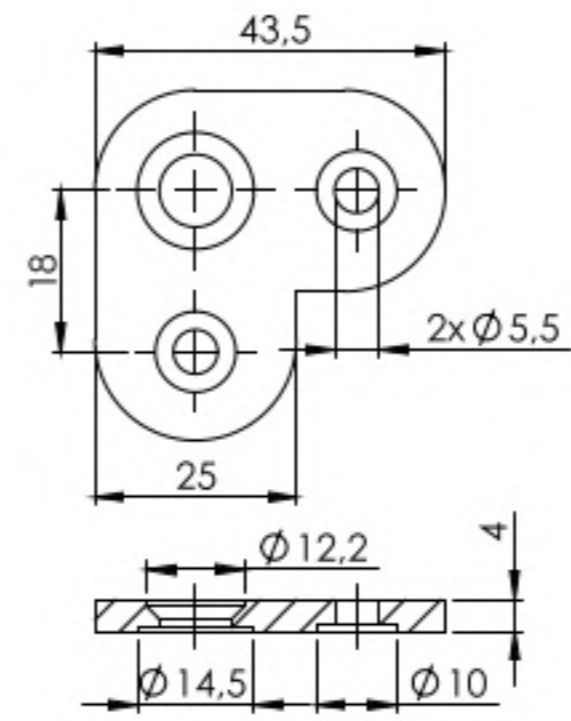


Quality	Finish	art.
AISI304	satin	A/1881-042

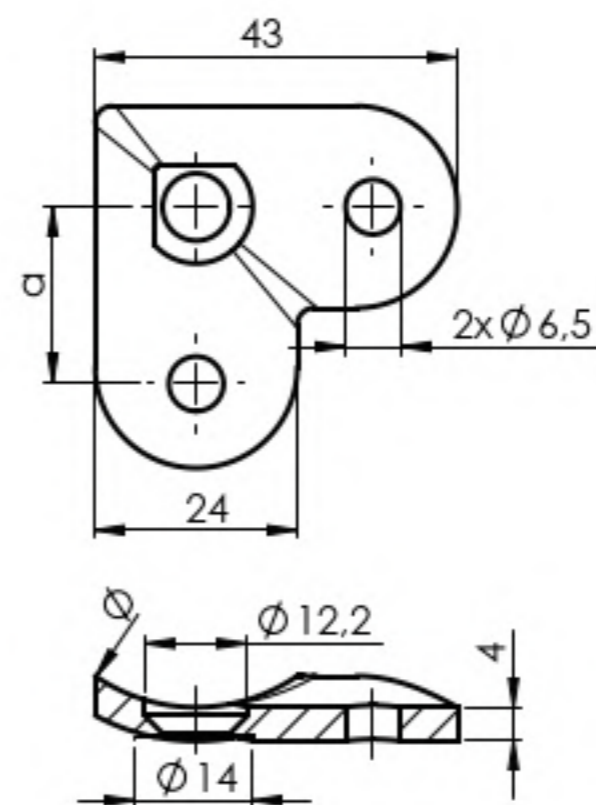
new



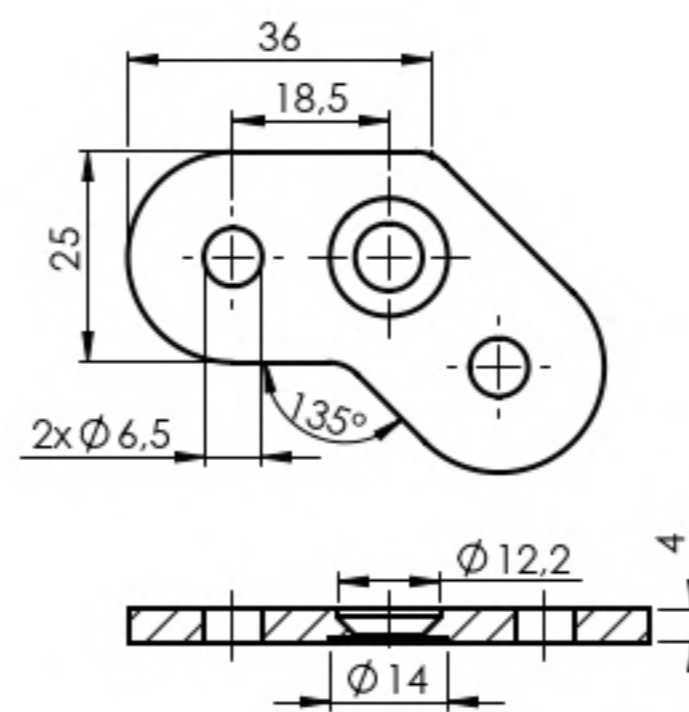
Quality	Finish	art.	flush angle
AISI304	satın	A/1890-000-B	A/0303...



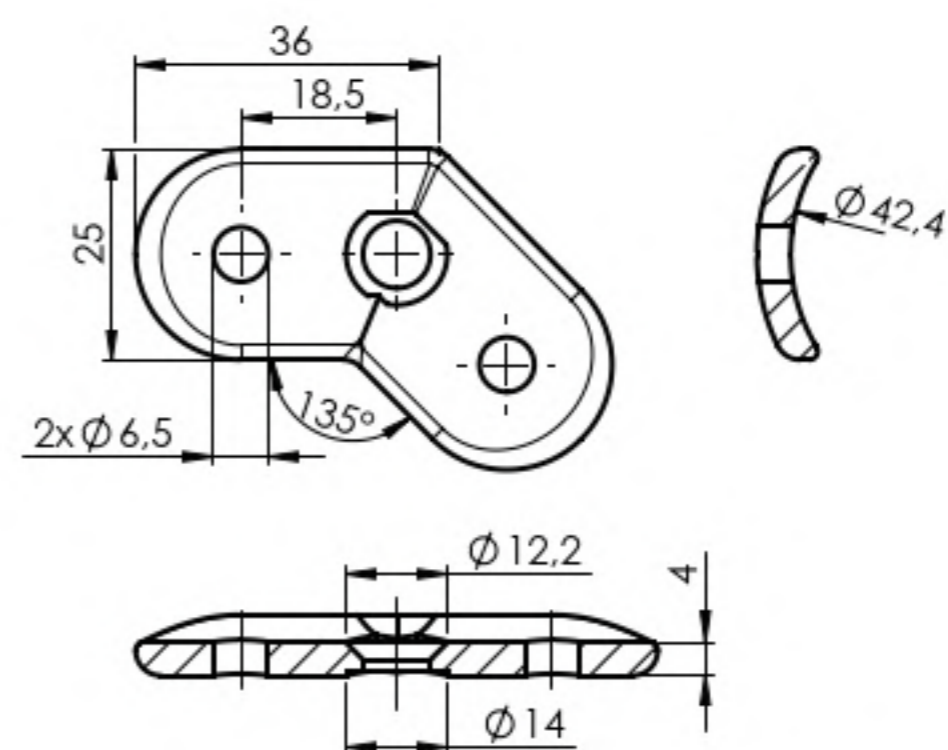
Quality	Finish	∅	art.	a	flush angle
AISI304	satın	42,4	A/1890-042	21	A/0301...
AISI316		48,3	A14/1890-048	23	A/0303...

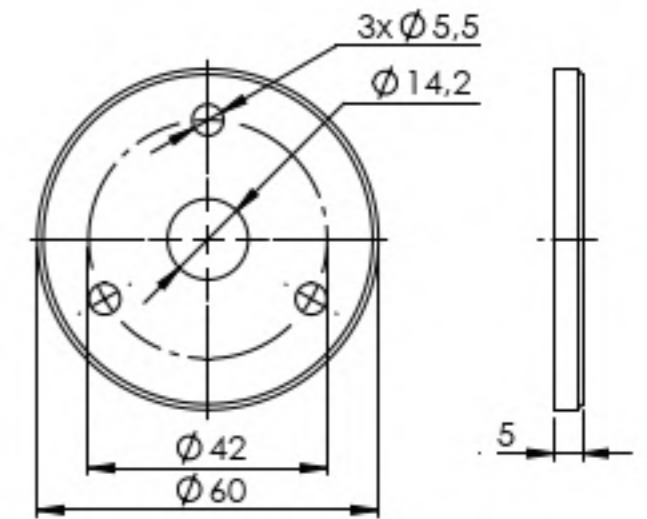
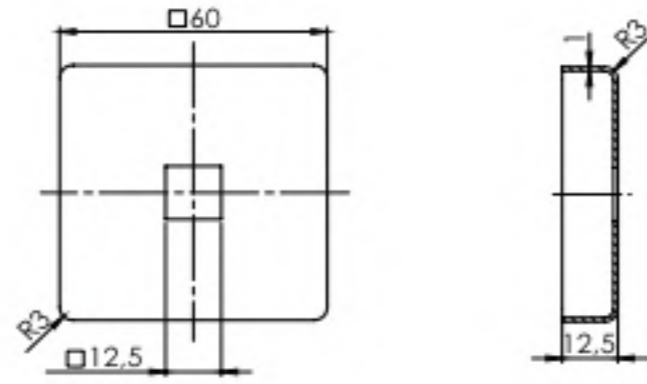


Quality	Finish	art.
AISI316	satın	A14/1870-000



Quality	Finish	art.	flush angle
AISI316	satın	A14/1870-042-B	A/0300...

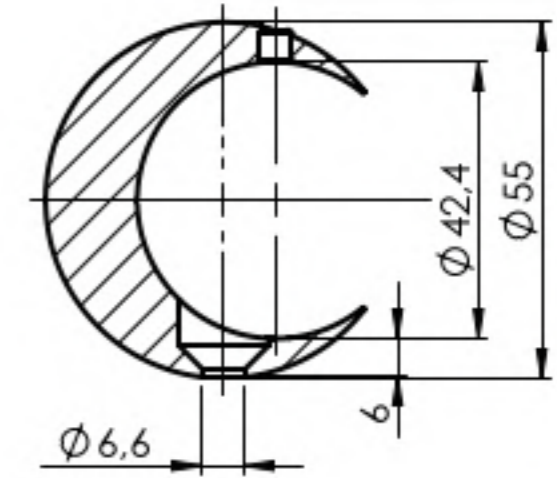
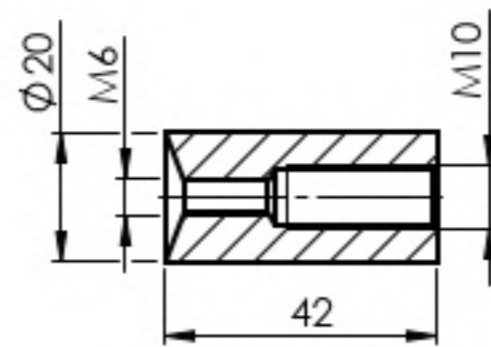




Quality	Finish	art.
AISI304	satin	A/4514-012

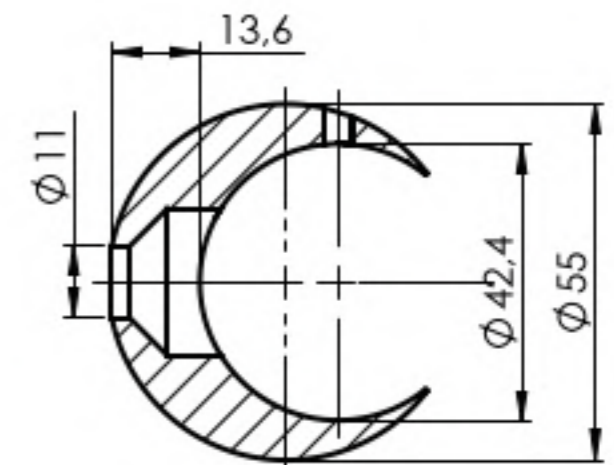
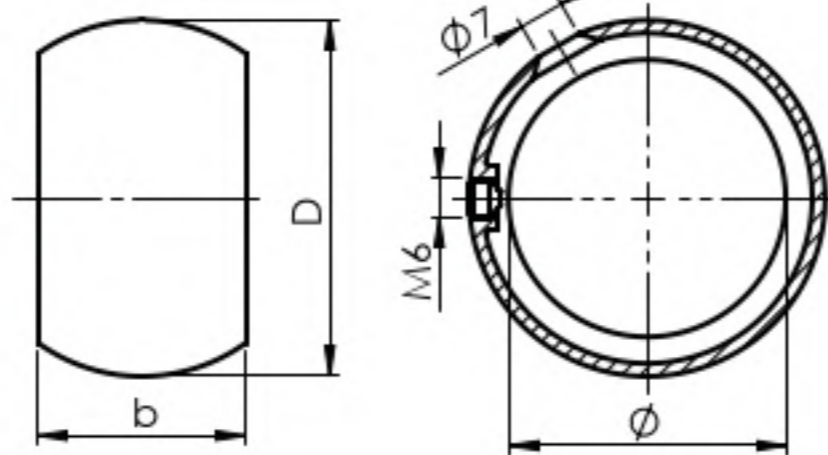
new

Quality	Finish	art.
AISI304	satin	A/0112-LED-PLATE



Quality	Finish	art.
AISI304	satin	A/014

Quality	Finish	art.
AISI316	satin	A14/42-55-C



Quality	Finish	∅	art.	D	b
AISI304	satin	33,7	A6/33-55-35-B	44,5	28
		42,4	A6/42-55-35-B	55	32

top

Quality	Finish	art.
AISI316	satin	A14/42-55

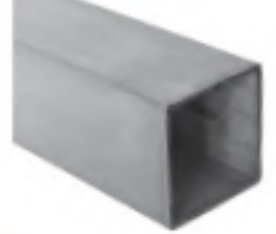
	+					
A-DIN 7991-A2 M6x8		A/1800-0...	A/1890-0...	A/1881-0...	A14/42-55-C	A6/42-55-35-B

See catalogue section 8. for various screw options

5

HANDRAILS





ROUND

D33,7

D42,4

D48,3

**HANDRAILS /
PROFILES**



SQUARE

30x30

40x40

60x60

80x80



40x20

50x30

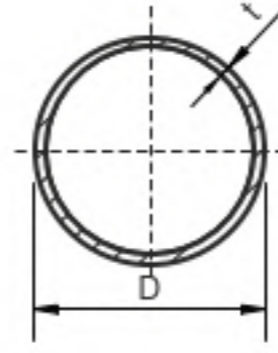
60x40



**HANDRAIL
COMPONENTS**



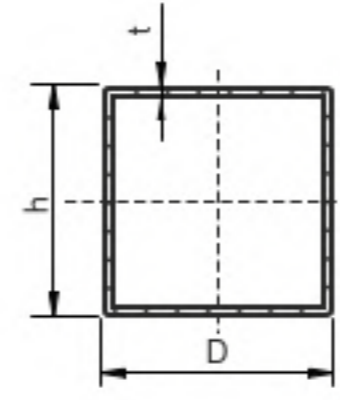
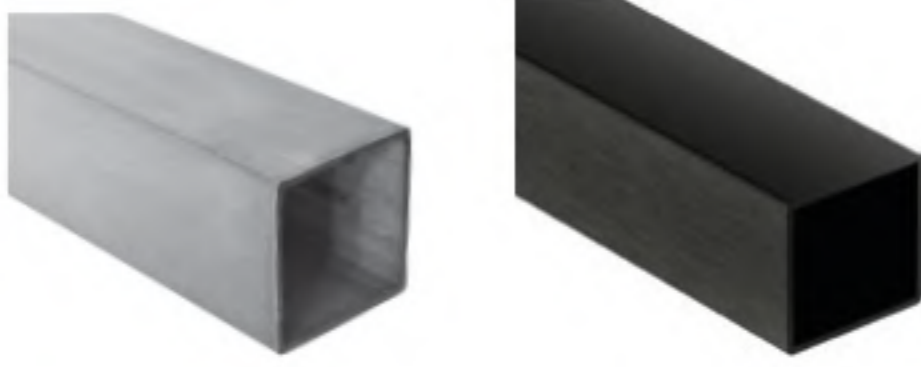
HANDRAIL SETS



Quality	Finish	art.	D	t	L		
AISI304	satin	A/33,7x2-3000	33,7	2	3000		
		A/33,7x2-6000			6000		
		A/42,4x1,5-3000	42,4	1,5	3000		
		A/42,4x1,5-6000			6000		
		A/42,4x2-1000	1000				
		A/42,4x2-1000-EXCLUSIVE					
		A/42,4x2-1500	1500				
		A/42,4x2-1500-EXCLUSIVE					
		A/42,4x2-2000	2000				
		A/42,4x2-2000-EXCLUSIVE					
	A/42,4x2-3000						
	PVD Black	A-PVD/42,4x2-3000	42,4		3000	<i>new</i>	
	satin	A/42,4x2-3000-EXCLUSIVE					
		A/42,4x2-4000		2	4000		
A/42,4x2-4000-EXCLUSIVE							
A/42,4x2-5000				5000			
A/42,4x2-5000-EXCLUSIVE							
A/42,4x2-5750-EXCLUSIVE				5750			
A/42,4x2-6000					<i>top</i>		
A/42,4x2-6000-EXCLUSIVE							
COR TEN	raw	CA/40x2-6000	40		6000	<i>new</i>	
		CA/42,4x2-6000				<i>new</i>	
AISI304	satin	A/48,3x2-3000	48,3		3000		
		A/48,3x2-6000			6000		
	polish	A/42,4x2-1500-L	42,4	2		1500	
		A/42,4x2-2000-L				2000	
A/42,4x2-3000-L		3000					
A/42,4x2-6000-L							
COR TEN	raw	CA/48,3x2-6000	48,3		6000	<i>new</i>	
AISI316	satin	A14/33,7x2-6000	33,7				
		A14/42,4x2-3000	42,4	2	3000		
	A14/42,4x2-6000	6000					
	polish	A14/42,4x2-3000-L	42,4	2	3000	<i>new</i>	
		A14/42,4x2-6000-L			6000		

5
HANDRAILS

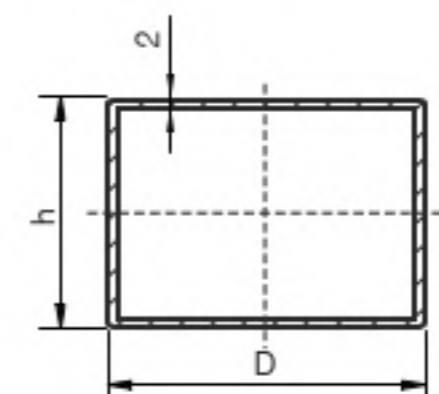
General tolerances
T3/D3 EN 10217-7
 (t ±10%, max ±0,2mm;
 D ±0,75%, max ±0,3mm)



Quality	Finish	art.	D	h	t	L
AISI304		A/30x30x2-6000	30	30		6000
		A/40x40x2-1000				1000
		A/40x40x2-1500				1500
		A/40x40x2-2000				2000
		A/40x40x2-3000				3000
	PVD Black	A-PVD/40x40x2-3000	40	40		3000
	satin	A/40x40x2-4000				4000
		A/40x40x2-5000			2	5000
		A/40x40x2-6000				6000
		A/40x40x2-6000-EXCLUSIVE				
A/60x60x2-6000		60	60			
A/80x80x2-6000	80	80				
polish	A/40x40x2-6000-L				6000	
AISI316	satin	A14/40x40x2-3000	40	40		3000
A14/40x40x2-6000					6000	
CORTEN	raw	CA/40x40x2-6000				2,5

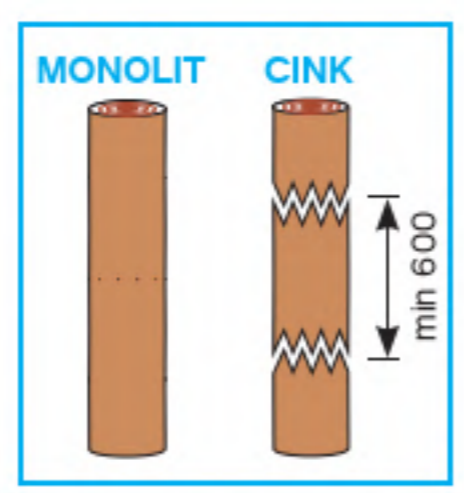
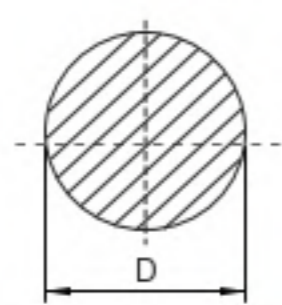
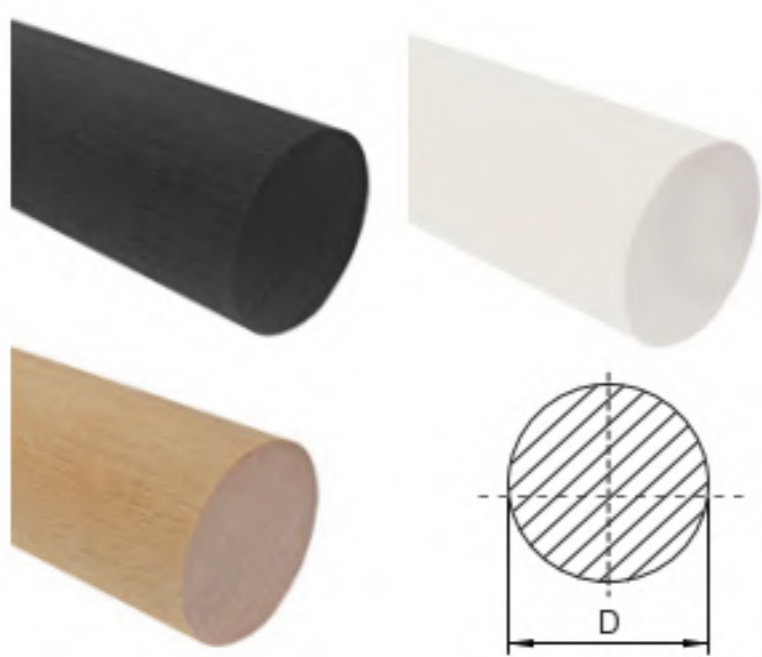
new

top



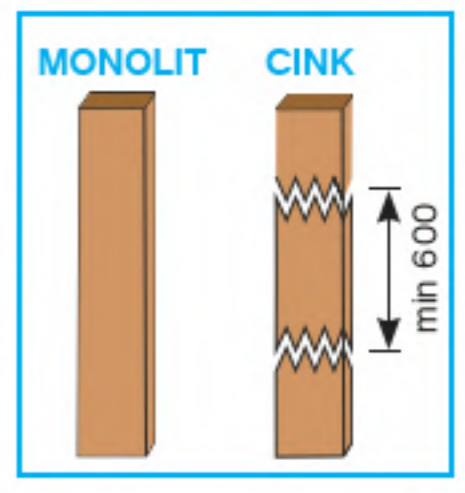
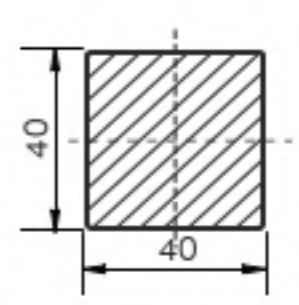
Quality	Finish	art.	D	h	L
AISI304	satin	A/40x20x2-6000	40	20	6000
		A/50x30x2-6000	50	30	
		A/60x40x2-6000	60	40	

General tolerances
T3/D3 EN 10217-7
 (t ±10%, max ±0,2mm;
 D ±0,75%, max ±0,3mm)



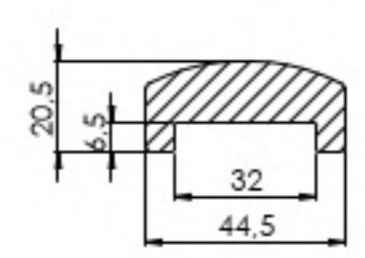
Quality	Finish	art.	D	L	
Beech	natural	WB/D42-L1200	42	1200	
		WB/D42-L1600		1600	
		WB/D42-L2000		2000	
		WB/D42-L2000-CINK			
		WB/D42-L2500		2500	
		WD/D42-L2500-CINK			
		WB/D42-L3000		3000	
		WB/D42-L3000-CINK			
		WB/D42-L4000-CINK			
		WB/D42-L4000		4000	
		WB/D50-L3000-CINK		49	3000
		black		WB/D42-L3000-BLACK	
white	WB/D42-L3000-WHITE				
lacquere	WB/D42-L3000-LACQ				
Oak	natural	WD/D42-L1200	42	1200	
		WD/D42-L1600		1600	
		WD/D42-L2000		2000	
		WD/D42-L2500		2500	
		WD/D42-L2500-CINK			
		WD/D42-L3000		3000	
		WD/D42-L3000-CINK			
		lacquere		WD/D42-L3000-LACQ	
		WD/D42-L4000-CINK			
		WD/D42-L4000		4000	
	WD/D50-L3000-CINK	49	3000		

top
new
new
new
new
new
new
new
new
new

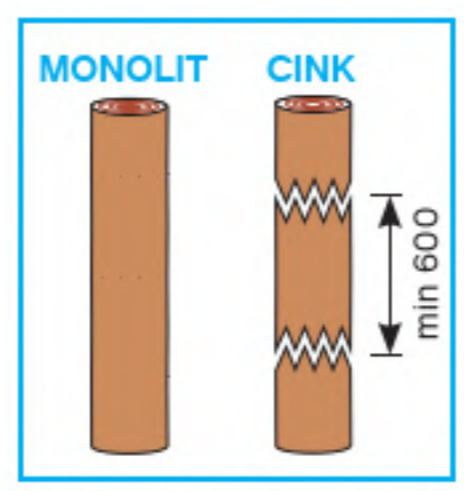


Quality	Finish	art.	L		
Beech	natural	WB/40x40-L2000	2000		
		WB/40x40-L2000-CINK			
		WB/40x40-L2500	2500		
		WB/40x40-L2500-CINK			
		WB/40x40-L3000			
		WB/40x40-L3000-CINK	3000		
		WB/40x40-L4000			
		WB/40x40-L4000-CINK	4000		
		Oak	natural	WD/40x40-L2000	2000
				WD/40x40-L2000-CINK	
WD/40x40-L2500	2500				
WD/40x40-L2500-CINK					
WD/40x40-L3000					
WD/40x40-L3000-CINK	3000				
WD/40x40-L4000					
WD/40x40-L4000-CINK	4000				

new
new
new
new
new
new
new
new
new
new

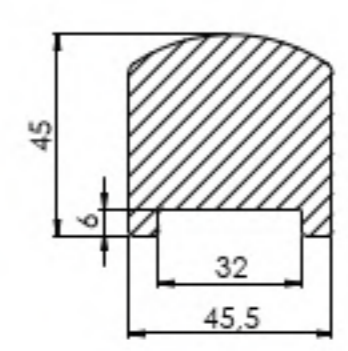


Quality	Finish	art.	L
Spruce	natural	WS/45x20-L3000	3000

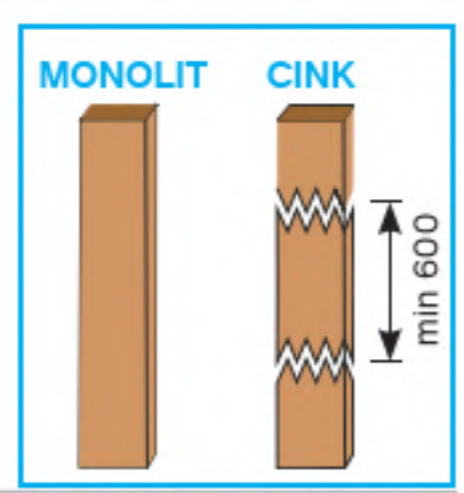


Quality	Finish	art.	L
Beech		WB/6925-042-17	2500
Oak	natural	WD/6925-042-17	
		WD/6925-042-17-CINK	

new
new

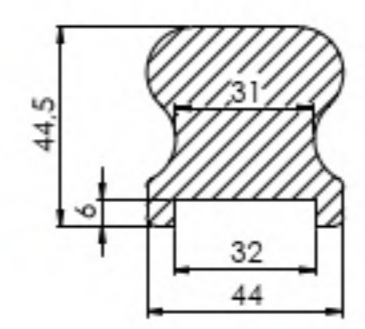


Quality	Finish	art.	L
Spruce	natural	WS/45x45-L3000	3000



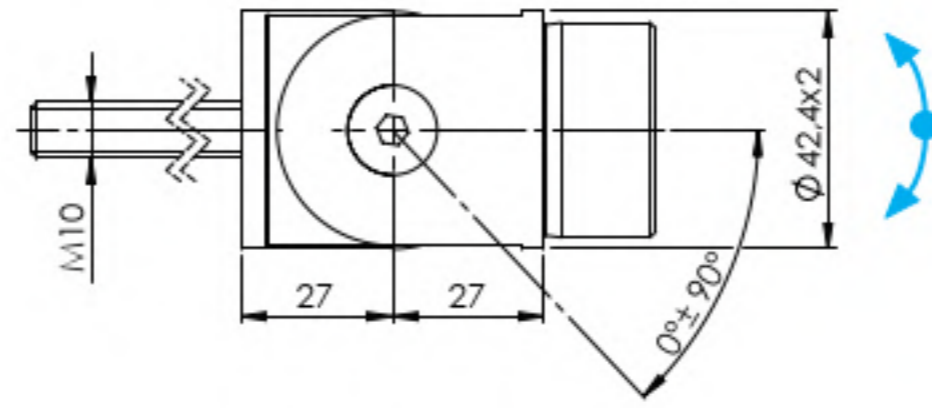
Quality	Finish	art.	L
Beech	natural	WB/6925-040-17	2500
		WB/6925-040-17-CINK	
Oak	WD/6925-040-17	WD/6925-040-17-CINK	

new
new

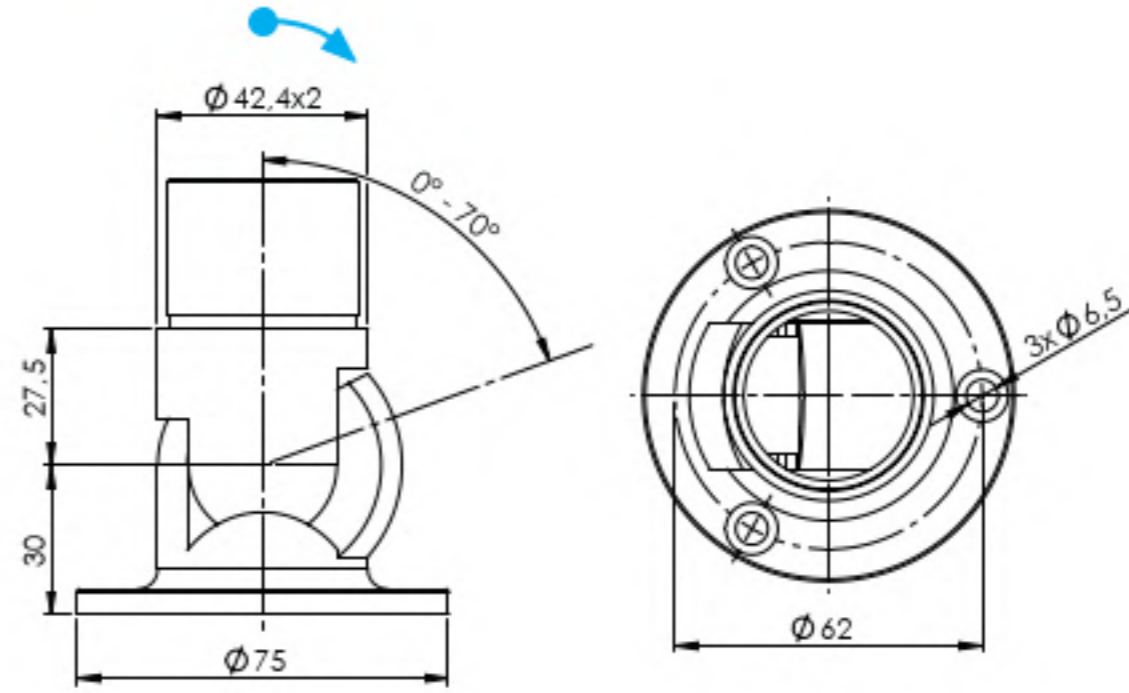


Quality	Finish	art.	L
Spruce	natural	WS/45x45-R-L3000	3000

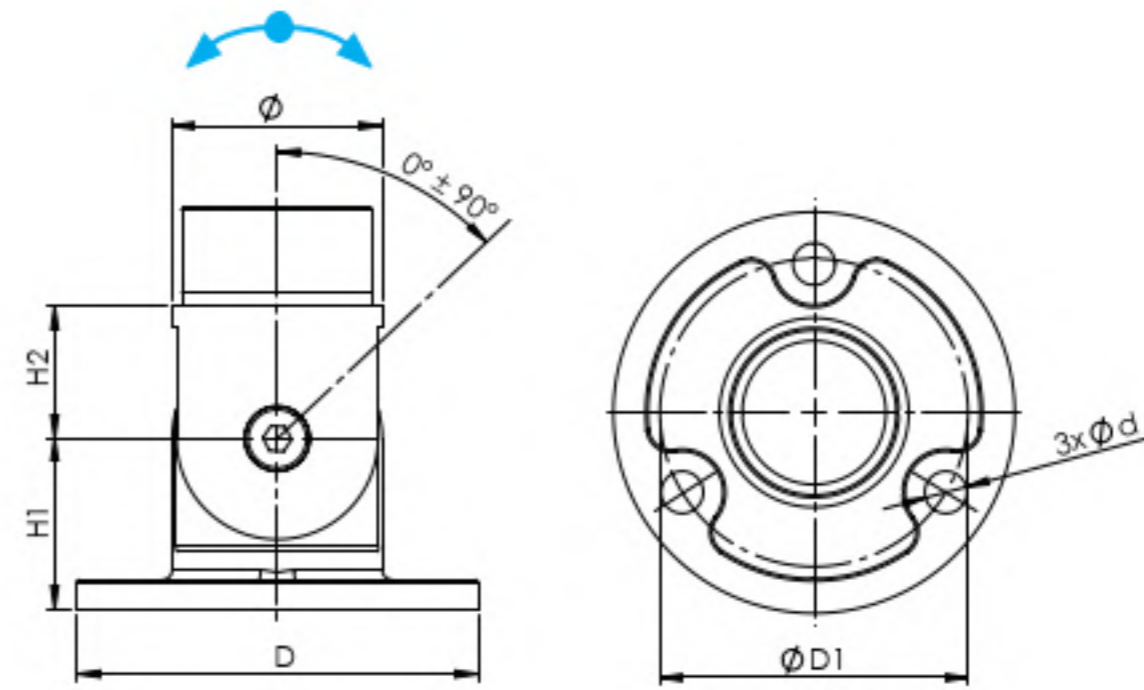
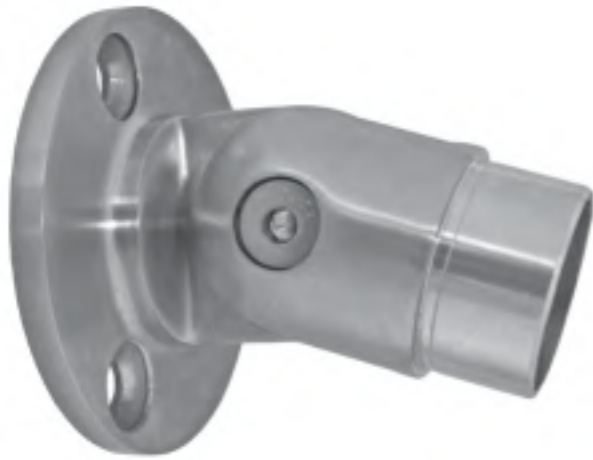
SYSTEM FLEX



Quality	Finish	art.
AISI304	satin	A/0315-242

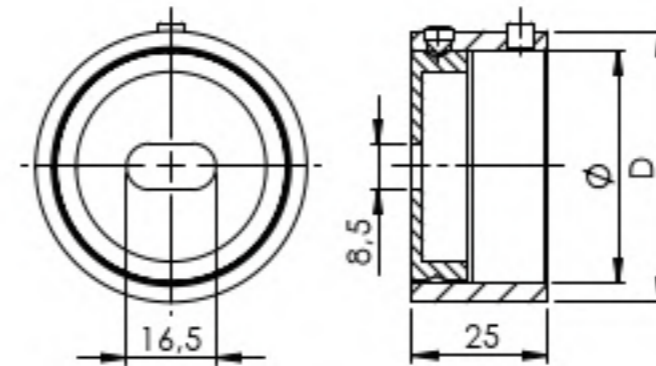


Quality	Finish	art.
AISI304	satin	A/0506-242
		A/0506-242-B



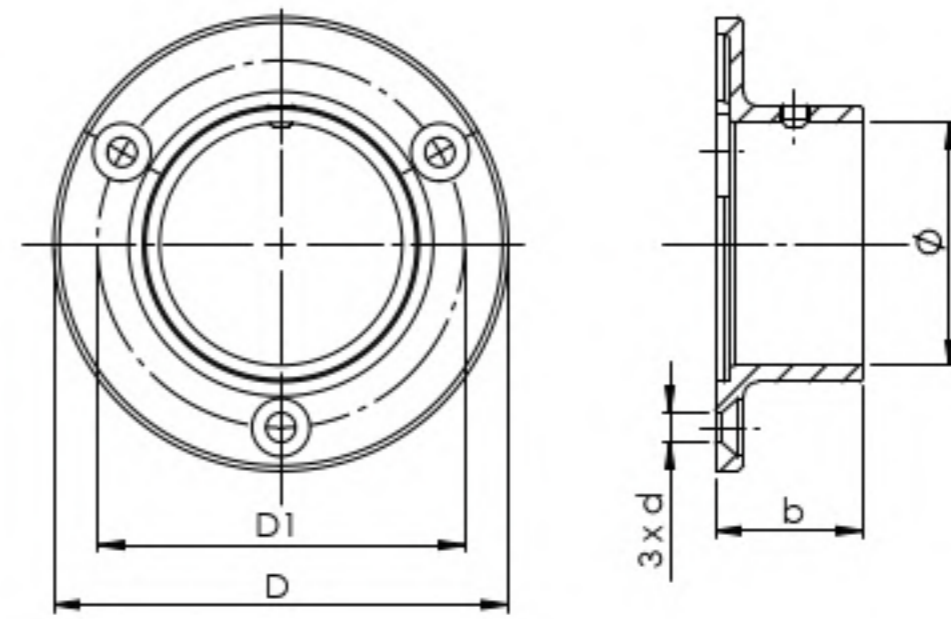
Quality	Finish	∅	art.	D	D1	H1	H2	d
AISI304	satin	33,7x2	A/0945-233	70	50	29	21	6,5
		42,4x2	A/0945-242-B					
AISI316			A14/0945-242-B	83	62	35	27	8,5

SYSTEM FIX



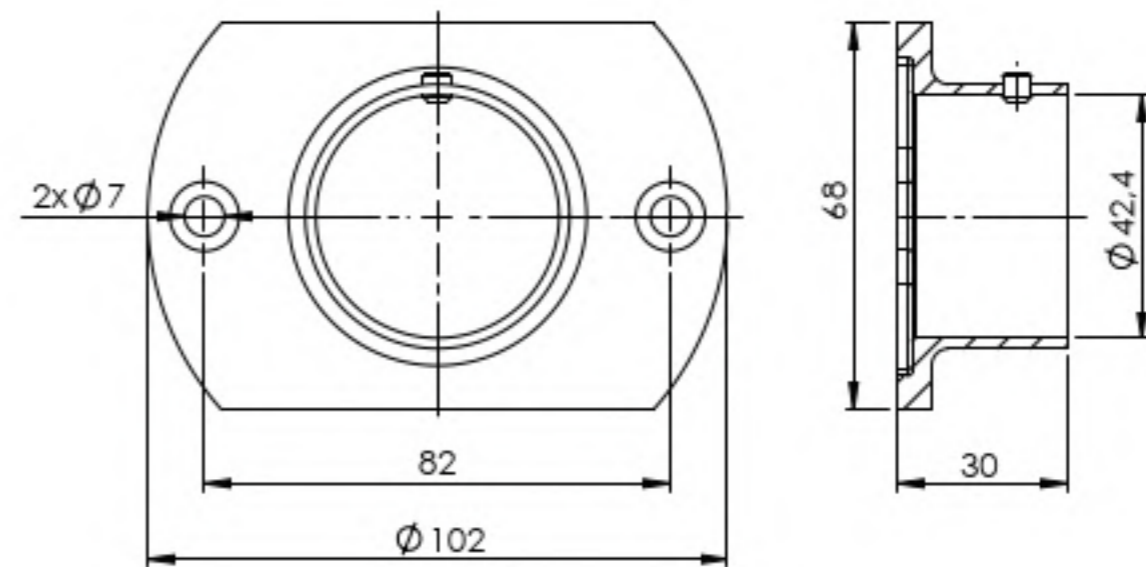
Quality	Finish	∅	art.	D
AISI304	satin	33,7	A/0504-233	42
		42,4	A/0504-242	50
	polish	42,4	A/0504-242-L	50
AISI316	satin	33,7	A14/0504-233	42
		42,4	A14/0504-242	50

top

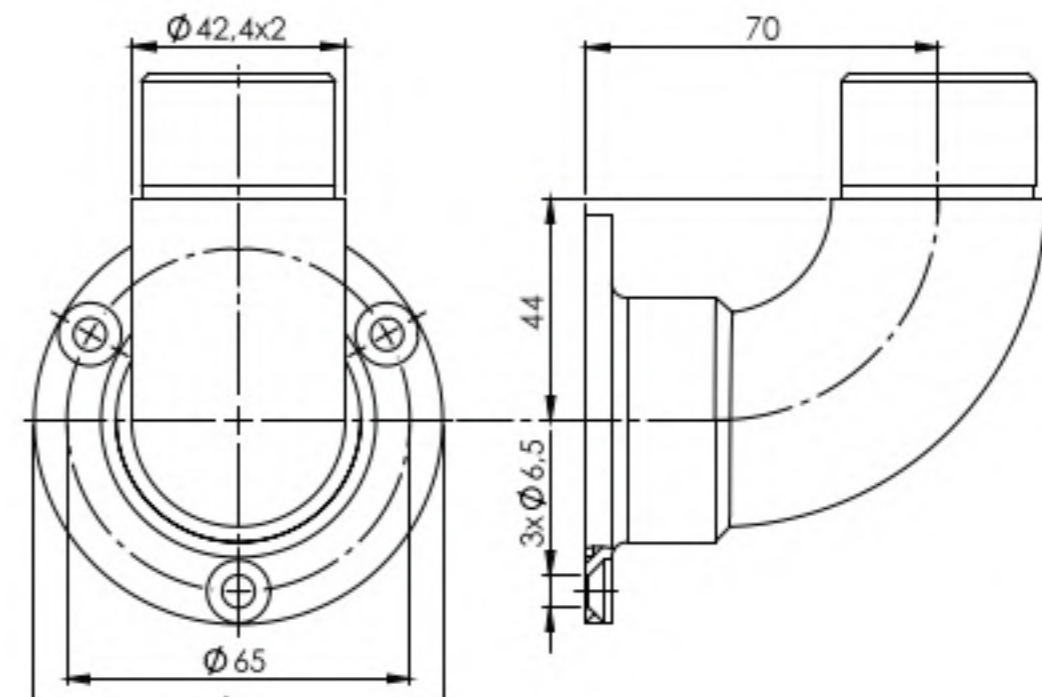
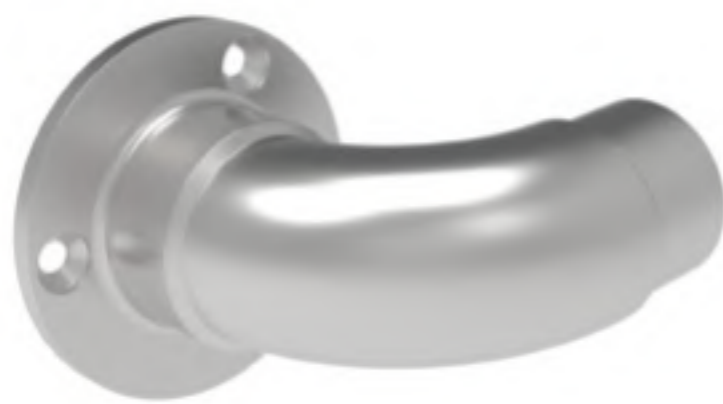


Quality	Finish	Ø	art.	D	D1	b	d
AISI304	satin	33,7	A/0505-033	85	65	30	5
			A/0505-033-B (WELD)				
	42,4	A/0505-042	95	71			
		A/0505-042-B	80	65			
AISI316	polish	48,3	A/0505-048	100	77	30	6,5
		42,4	A/0505-042-L	95	71	5	
	satin	42,4	A14/0505-042-B	80	65	25	5
		48,3	A14/0505-048	100	77	28	5,5
polish	42,4	A14/0505-042-B-L	85	64	25	6,5	
	48,3	A14/0505-048-L	100	77	28	5,5	

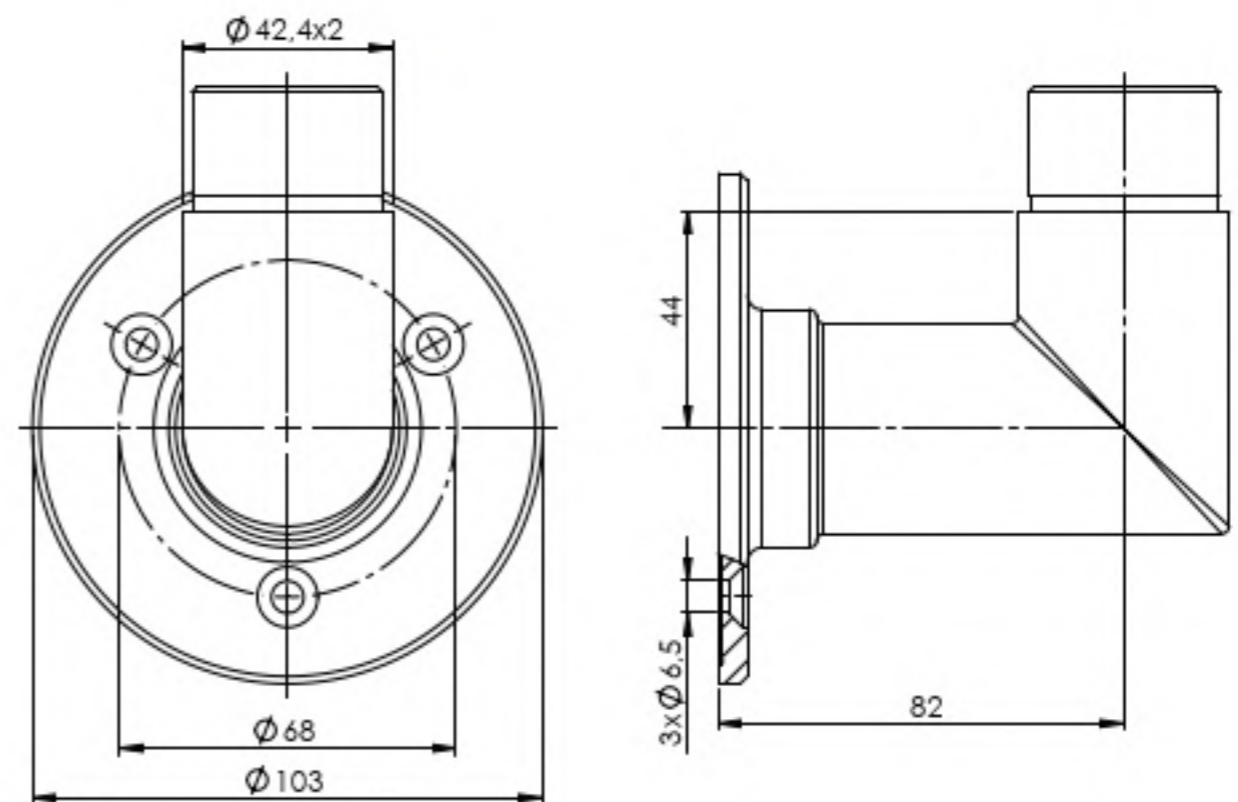
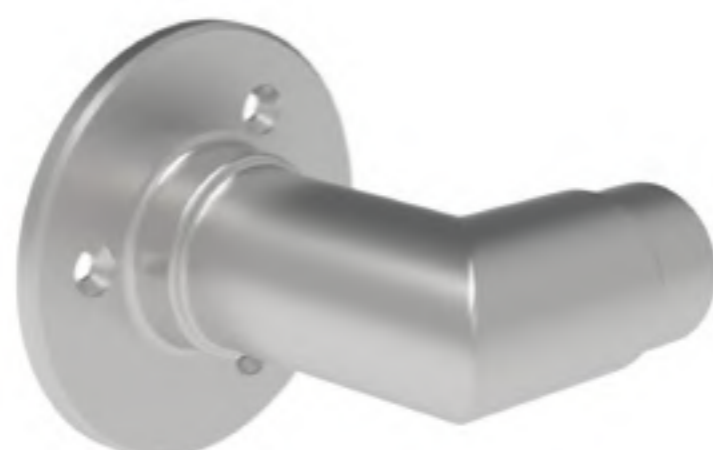
top



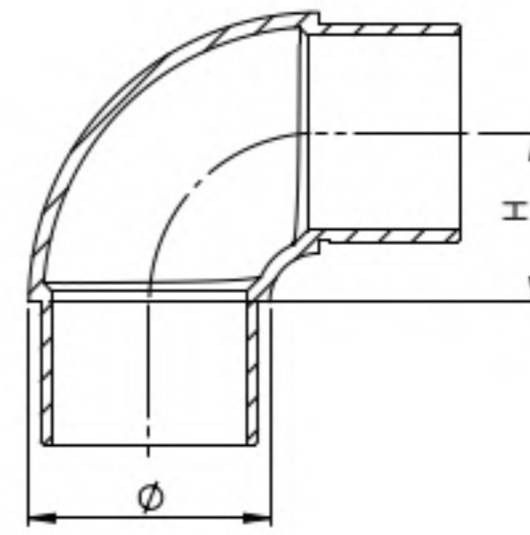
Quality	Finish	art.
AISI304	satin	A/0503-042



Quality	Finish	art.
AISI304	satin	A/0507-242
AISI316		A14/0507-242

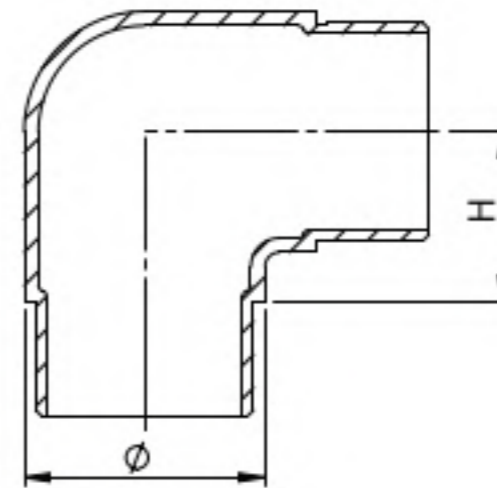


Quality	Finish	art.
AISI304	satin	A/0509-242

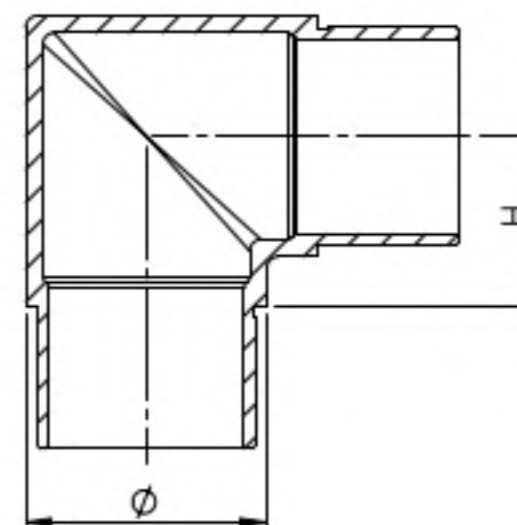


Quality	Finish	Ø	art.	H
AISI304	satin	33,7x2,0	A/0305-233	36
			A/0305-242	30
	PVD Black	42,4x2,0	A-PVD/0305-242	30
	satin	48,3x 2,0	A/0305-242-S	44
			A/0305-248	35
polish	42,4x2,0	A/0305-242-L	30	
		48,3x 2,0	A/0305-248-L	35
AISI316	satin	42,4x2,0	A14/0305-242-B	30
	polish		A14/0305-242-L	

top new

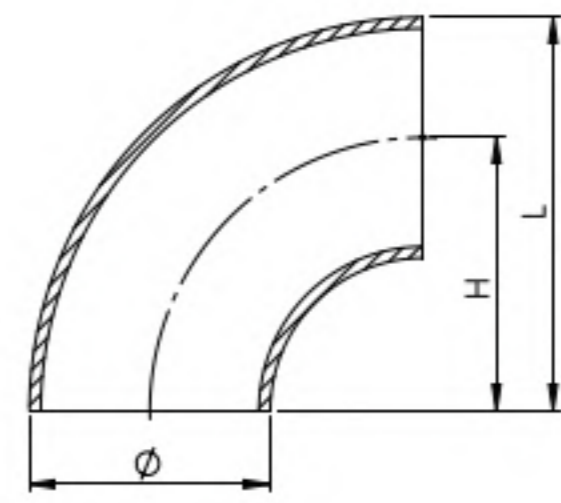


Quality	Finish	Ø	art.	H
AISI304	satin	33,7x2,0	A/0303-233	25
		42,4x2,0	A/0303-242	30
		48,3x2,0	A/0303-248	35
polish	42,4x2,0	A/0303-242-L	30	
		A14/0303-242	30	
AISI316	satin	48,3x2,6	A14/0303-249	35
	polish	42,4x2,0	A14/0303-242-L	30

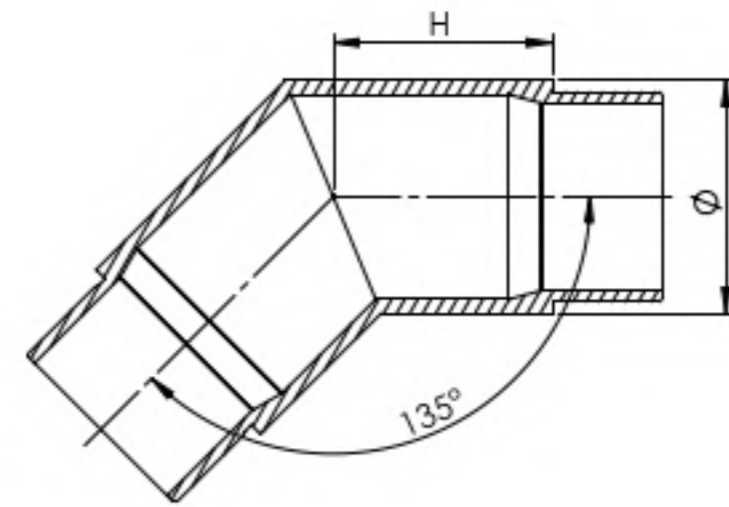


Quality	Finish	Ø	art.	H
AISI304	satin	33,7x2,0	A/0301-233-S	23
		42,4x2,0	A/0301-242	30
		42,4x2,0	A/0301-242-S	44
		48,3x2,0	A/0301-248	35
polish	42,4x2,0	A/0301-242-L	30	
		A14/0301-242	30	
AISI316	satin	42,4x2,0	A14/0301-242-S	44
		48,3x2,6	A14/0301-249	35

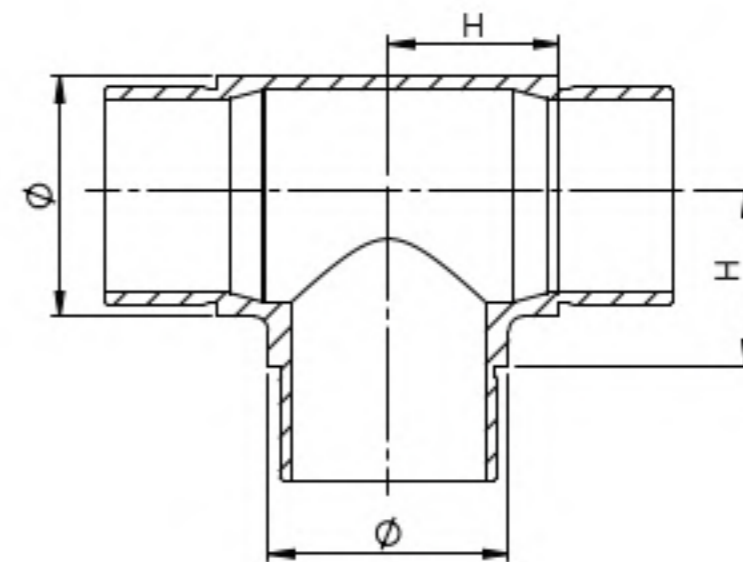
top



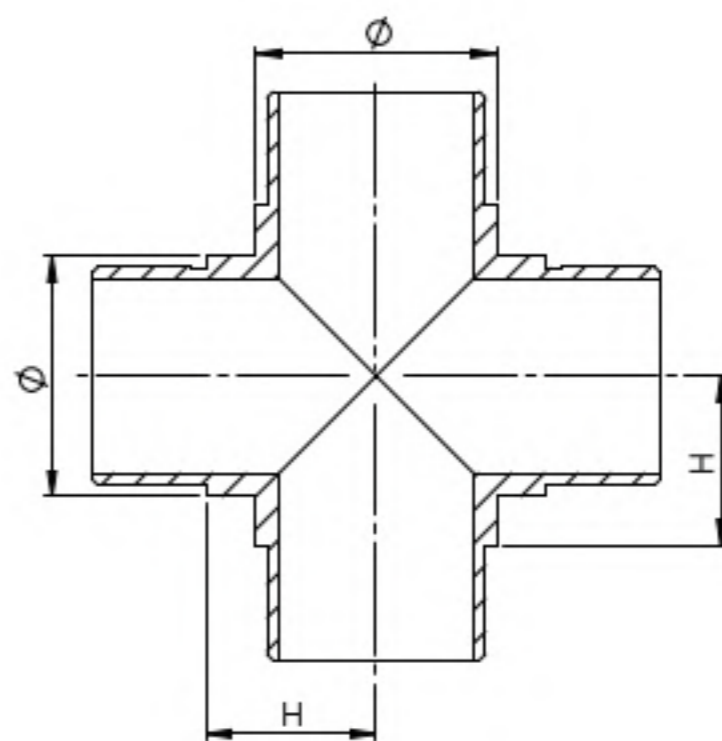
Quality	Finish	Ø	art.	H	L
AISI304	satin	33,7x2,0	A/1305-233	38	55
		42,4x2,0	A/1305-242	48	69
		48,3x2,0	A/1305-248	57	81
AISI316	polish	42,4x2,0	A/1305-242-L	48	69
	satin		A14/1305-242		



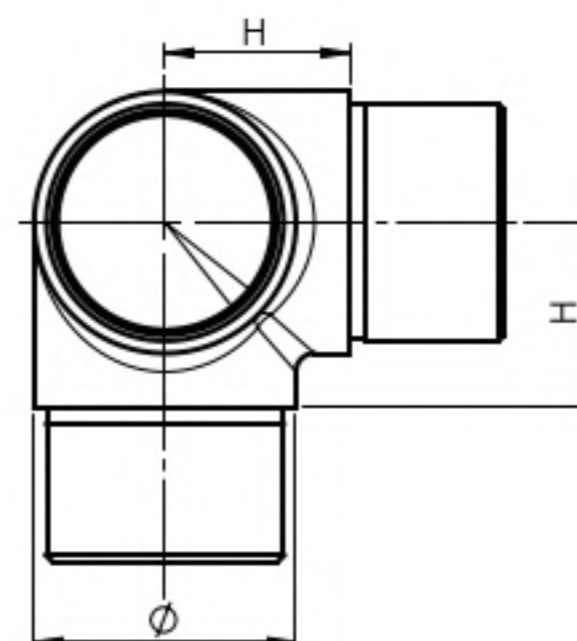
Quality	Finish	Ø	art.	H
AISI304	satin	33,7x2,0	A/0300-233	25
AISI316		42,4x2,0	A/0300-242-B A14/0300-242-B	30
		48,3x2,0	A14/0300-248	35



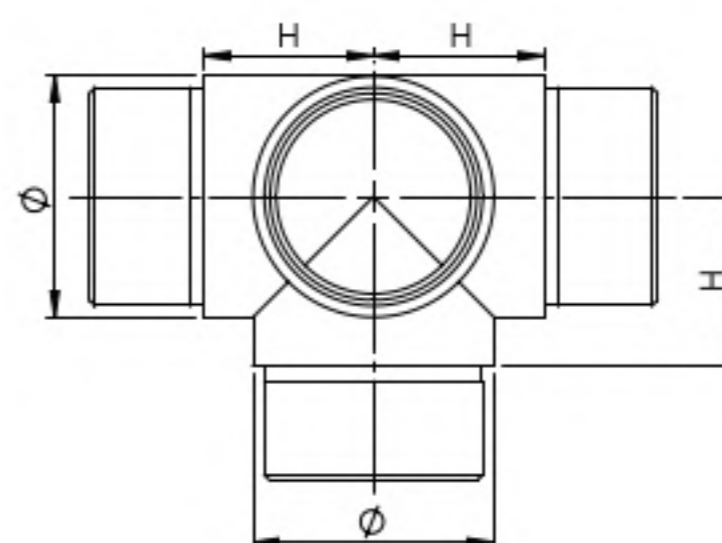
Quality	Finish	Ø	art.	H
AISI304	satin	33,7x2,0	A/0307-233	25
	polish		A/0307-242-L A14/0307-242-S	
AISI316	satin	48,3x2,0	A14/0307-248	35



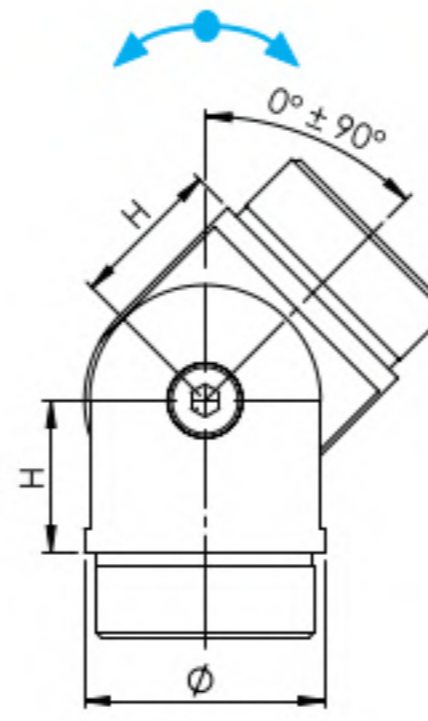
Quality	Finish	Ø	art.	H
AISI304	satin	33,7x2,0	A/0308-233	24
		42,4x2,0	A/0308-242	30



Quality	Finish	Ø	art.	H
AISI304	satin	33,7x2,0	A/0304-233	25
			A/0304-242	
AISI304	polish	42,4x2,0	A/0304-242-L	28
			A14/0304-242	
AISI316	satin	48,3x2,0	A14/0304-248	35



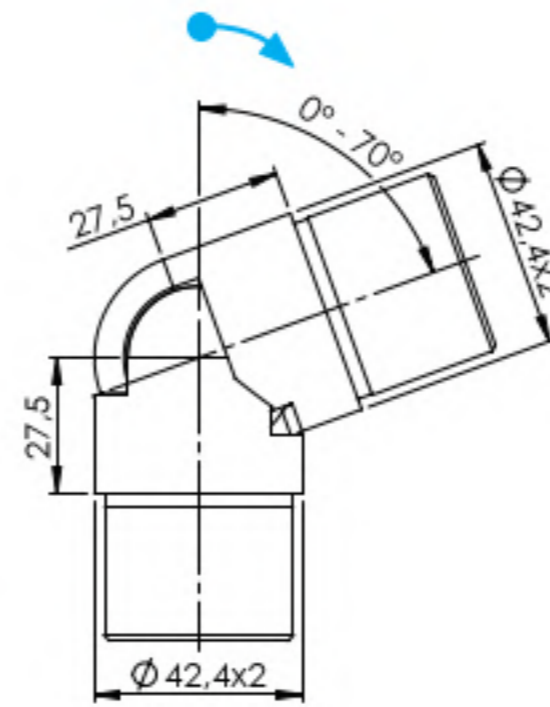
Quality	Finish	Ø	art.	H
AISI304	satin	33,7x2,0	A/0309-233	24
		42,4x2,0	A/0309-242	30



Quality	Finish	Ø	art.	H
AISI304	satin	33,7x2,0	A/0302-233	22
	PVD Black	42,4x2,0	A-PVD/0302-242	27
	satin	48,3x2,0	A/0302-242-B	29
	polish		A/0302-242-L	
AISI316	satin	42,4x2,0	A14/0302-242	27
	polish		A14/0302-242-L	
ZAMAK	raw		ZN/0302-242	

*top
new
new

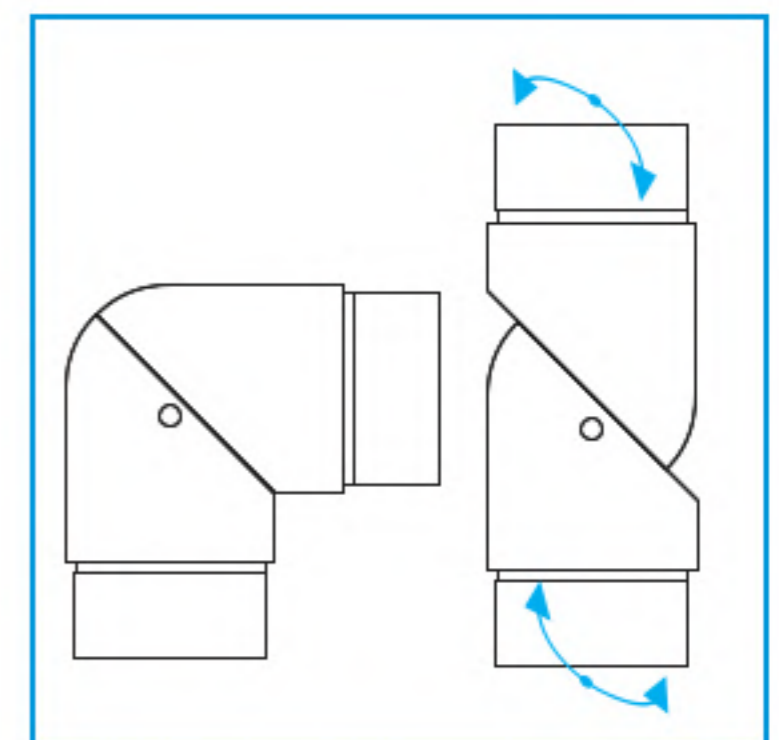
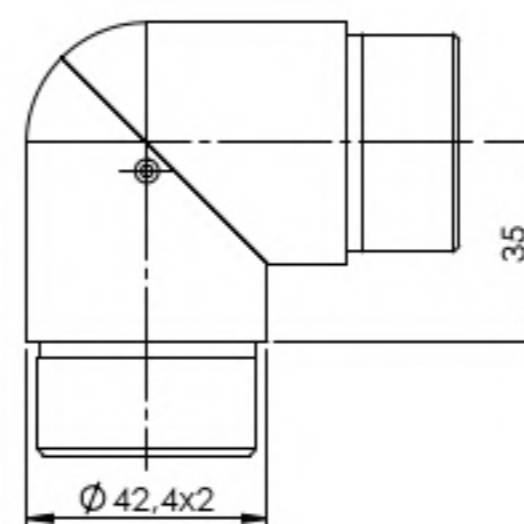
new*



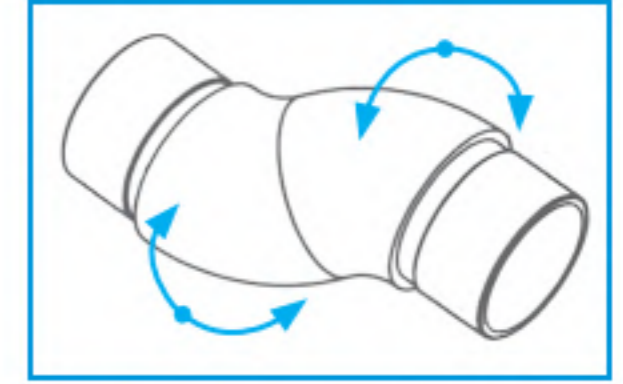
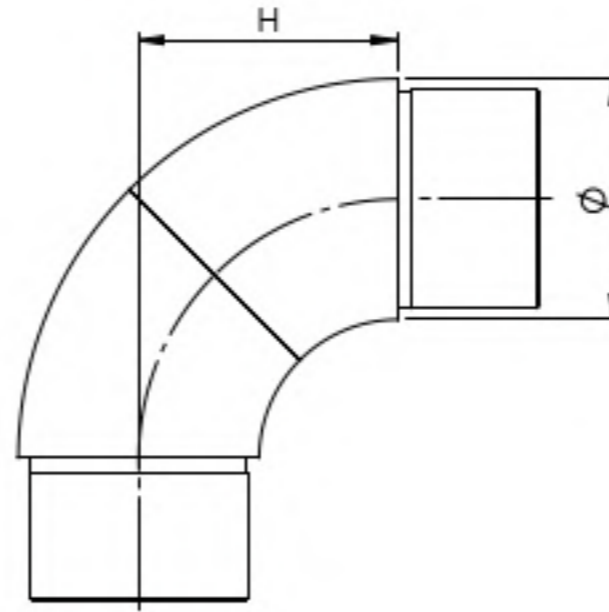
Quality	Finish	art.
AISI304	satin	A/0312-242-B
AISI316		A14/0312-242

5

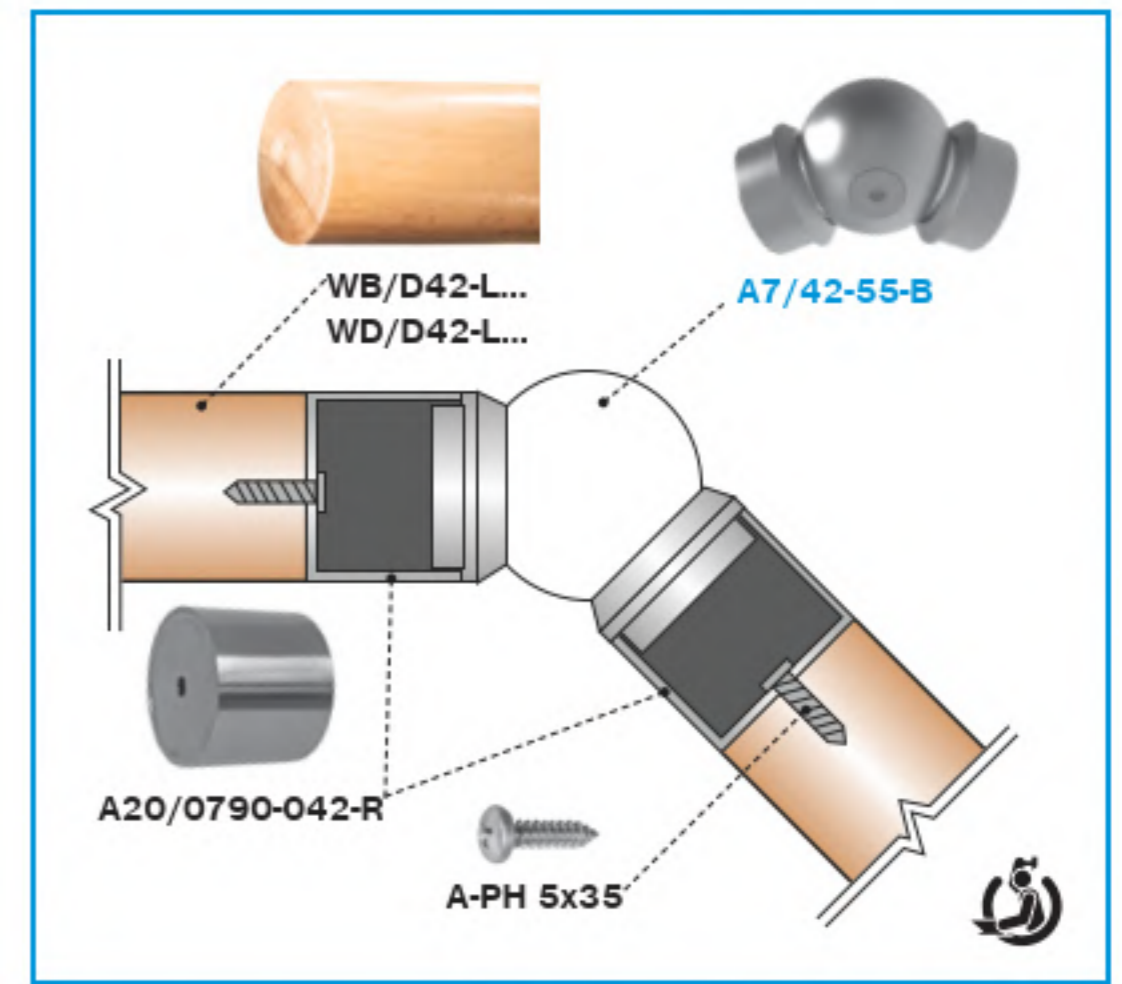
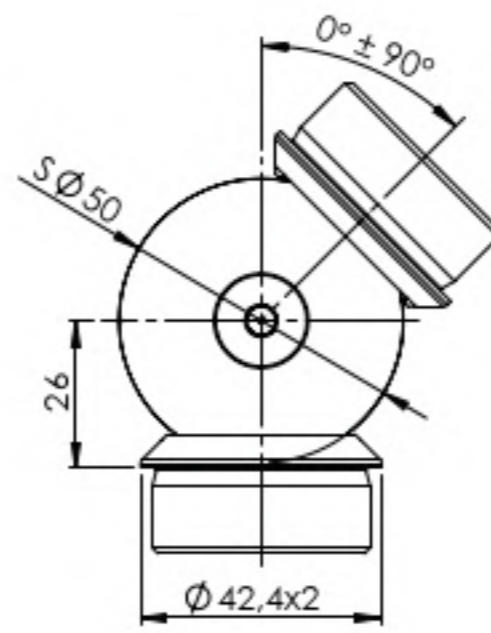
HANDRAILS



Quality	Finish	art.
AISI304	satin	A/0313-242

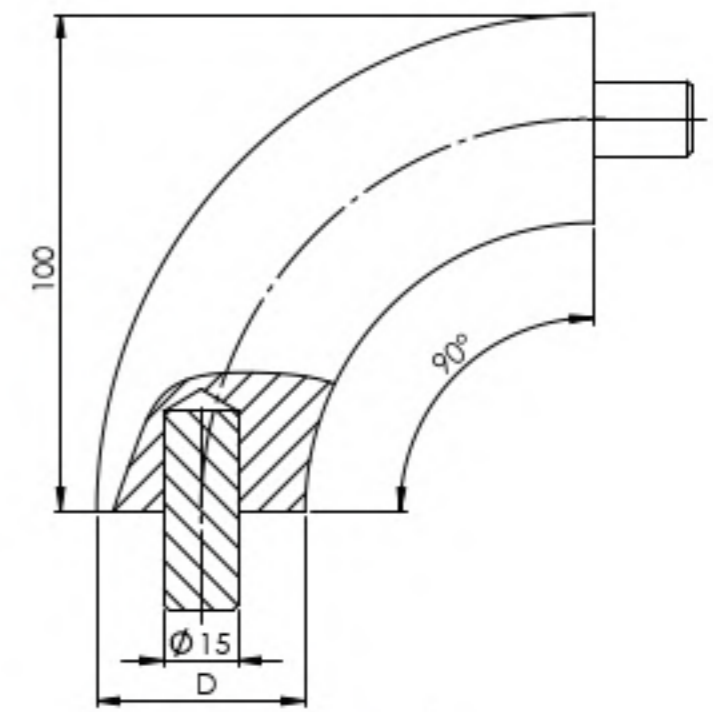
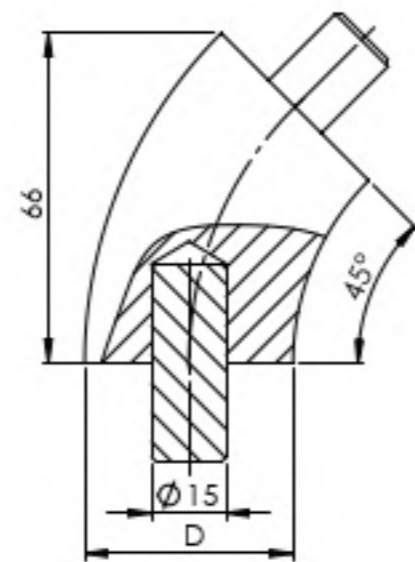


Quality	Finish	Ø	art.	H
AISI304	satin	33,7x2,0	A/0302-033	38
		42,4x2,0	A/0302-042	46



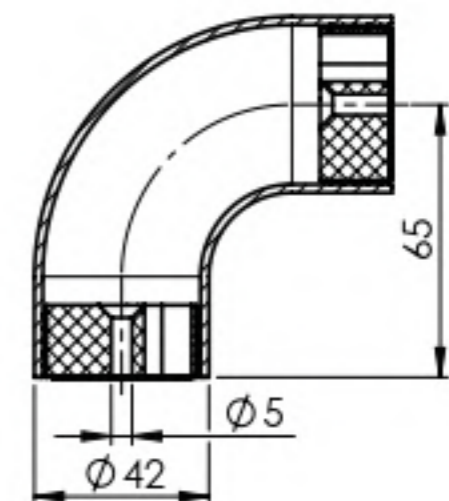
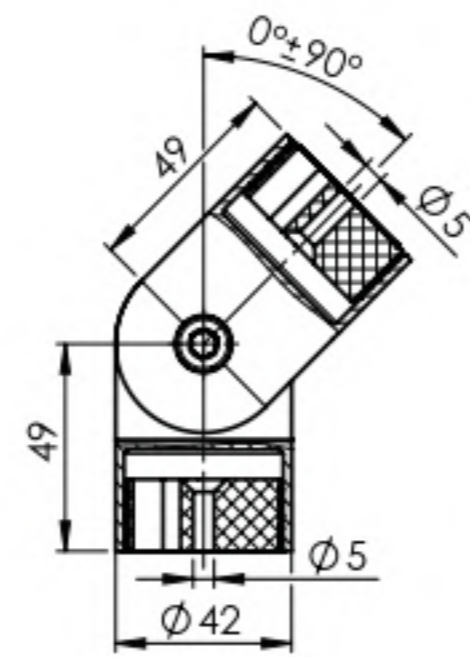
Quality	Finish	art.
AISI304	satin	A7/42-55-B





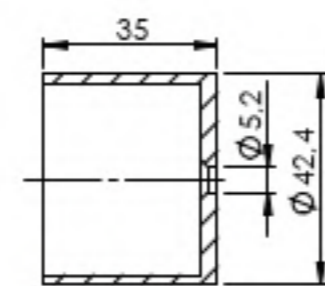
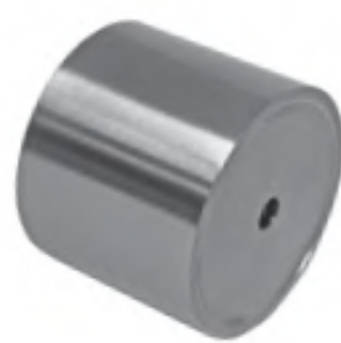
Quality	Finish	D	art.
Beech	natural	42	WB/D42-45°

Quality	Finish	D	art.
Beech	natural	42	WB/D42-90°
Oak	natural	42	WD/D42-90°

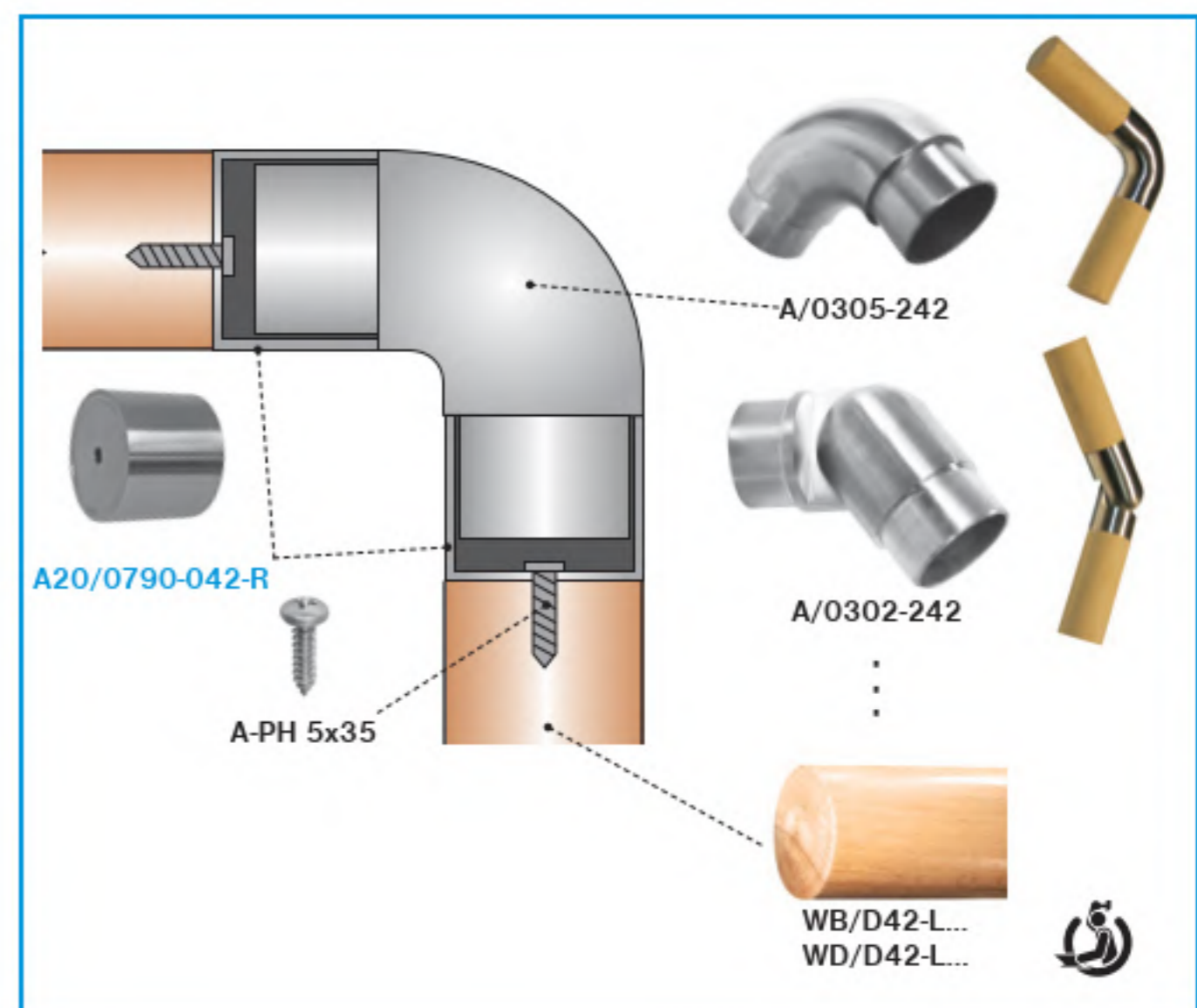


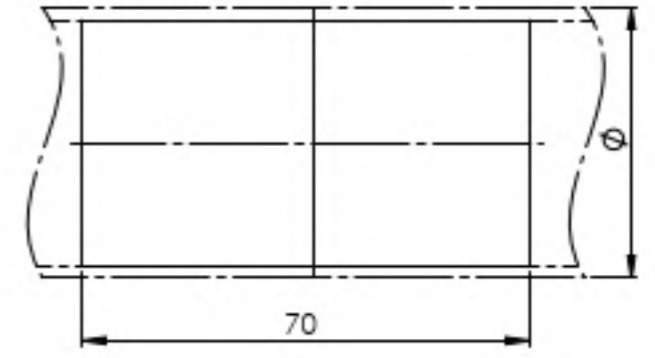
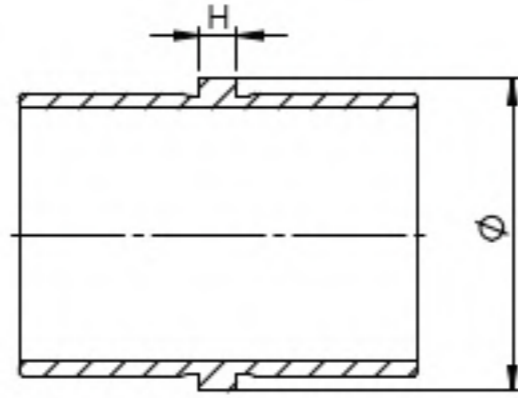
Quality	Finish	art.
AISI304	satın	A20/0302-042

Quality	Finish	art.
AISI304	satın	A20/0305-042



Quality	Finish	art.
AISI304	satın	A20/0790-042-R

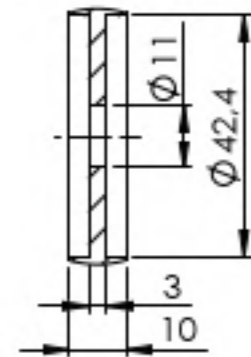
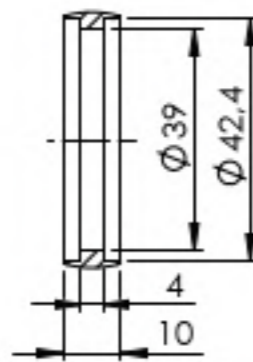




Quality	Finish	Ø	art.	H
AISI304	satin	33,7x2,0	A/0790-233	5
		42,4x2,0	A/0790-242	4
	PVD Black	A-PVD/0790-242		
	polish	48,3x2,0	A/0790-248	6
		A/0790-242-L	5	
AISI316	satin	42,4x2,0	A14/0790-242	4
	polish		A14/0790-242-L	

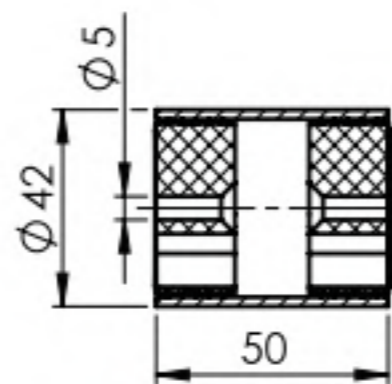
top new

Quality	Finish	Ø	art.
AISI304	satin	33,7x2	A/0791-033
		42,4x2	A/0791-042

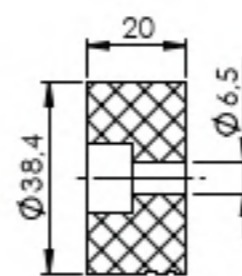
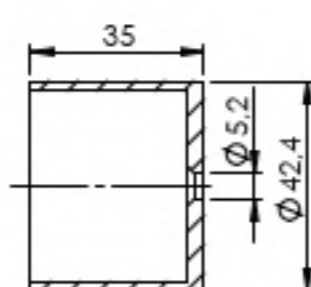


Quality	Finish	art.
AISI304	satin	A7/42-11-A

Quality	Finish	art.
AISI304	satin	A7/42-11



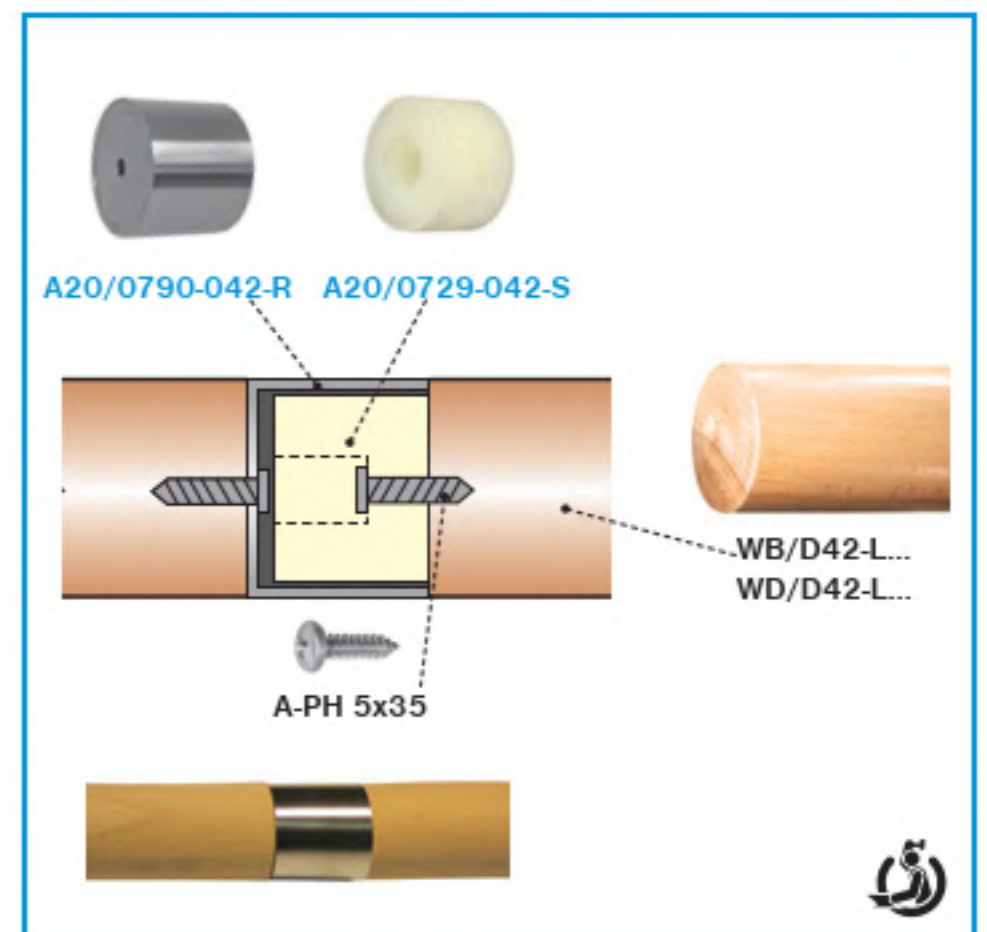
Quality	Finish	art.
AISI304	satin	A20/0790-042

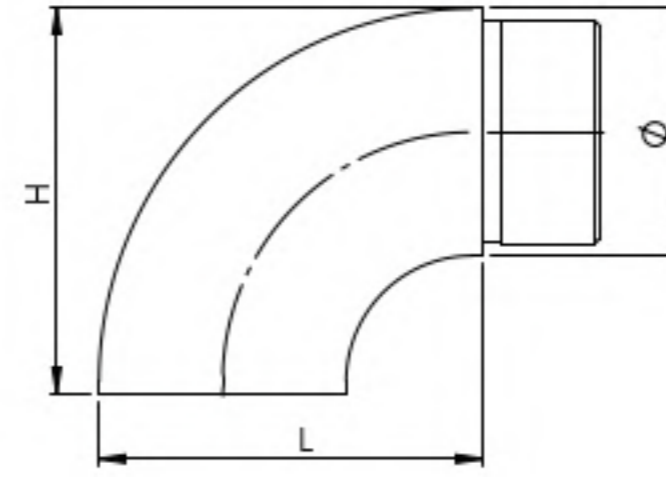


Quality	Finish	art.
AISI304	satin	A20/0790-042-R



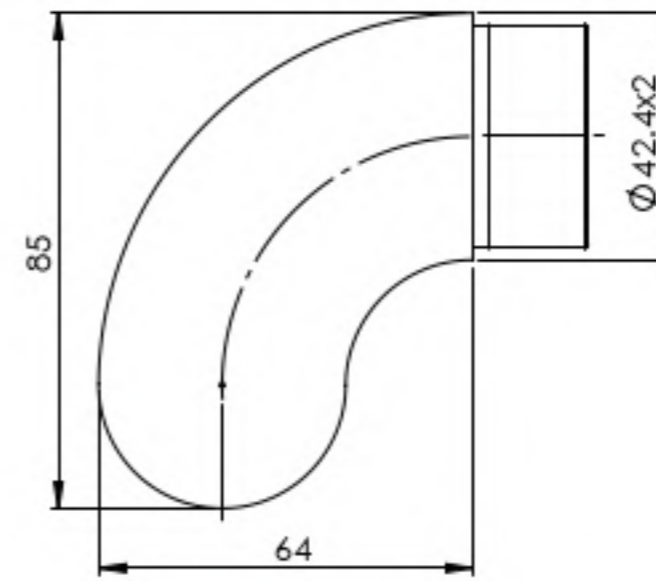
Quality	art.
PVC	A20/0729-042-S



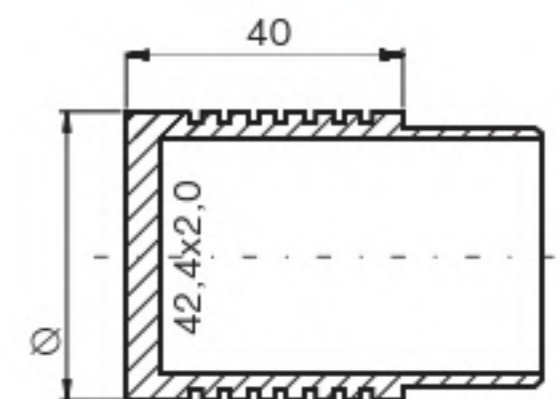
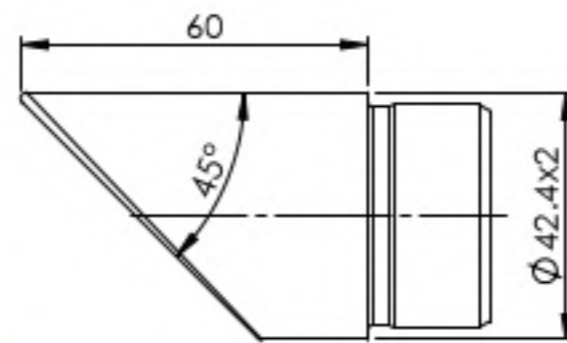


Quality	Finish	∅	art.	L	H
AISI304	satin	33,7x2,0	A/0739-233	55	57
	polish	42,4 x2,0	A/0739-242-S	66	66
A/0739-242-L					
AISI316	satin	33,7x2,0	A14/0739-233	55	57
		42,4 x2,0	A14/0739-242	66	66

top

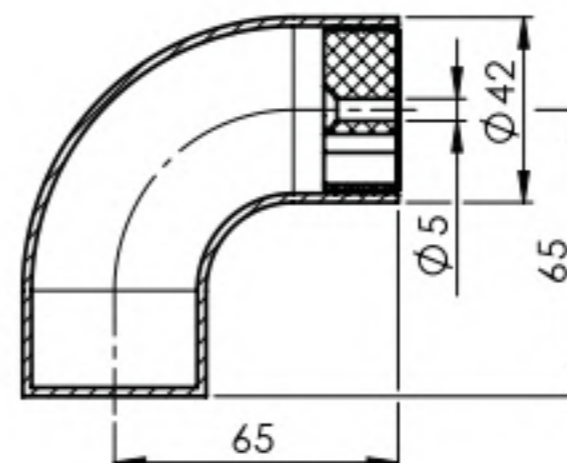


Quality	Finish	art.
AISI304	satin	A/0739-242-R

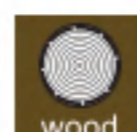


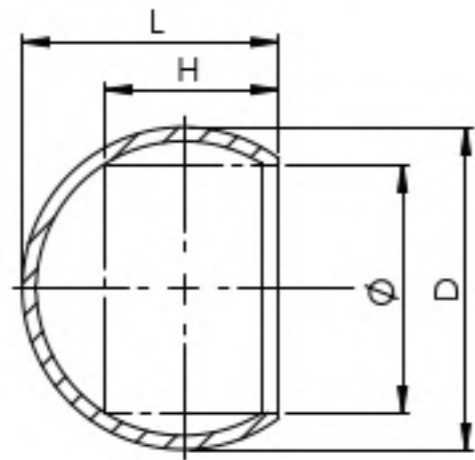
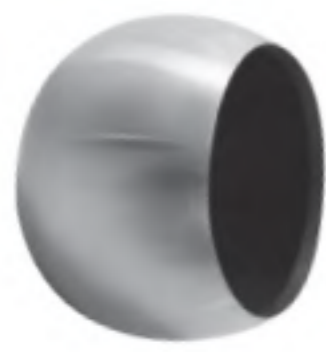
Quality	Finish	art.
AISI304	satin	A/0737-242

Quality	Finish	∅	art.
AISI316	satin	42,4x2,0	A14/0736-242

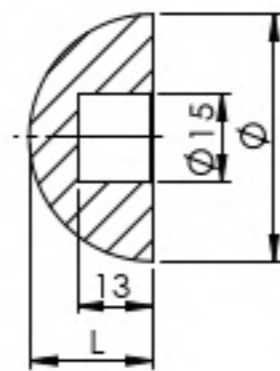



Quality	Finish	art.
AISI304	satin	A20/0739-042

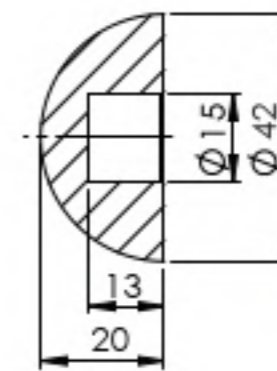




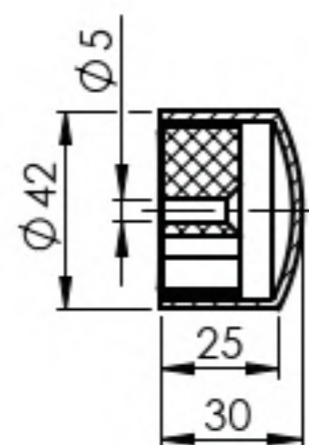
Quality	Finish	∅	art.	D	L	H
AISI304	satin	33,7	A9/33	47	38	27
		42,4	A9/42	55	44	30
		48,3	A9/48	65	52	38




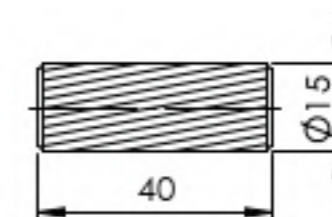
Quality	Finish	∅	art.	L	wood
AISI 304	satin	42	WA/D42-G2	21	
		50	WA/D50-G2	25	



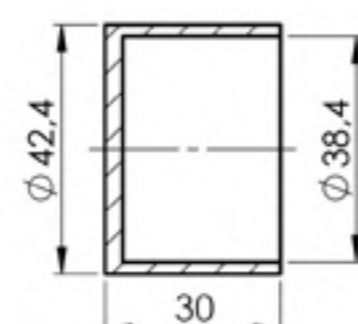
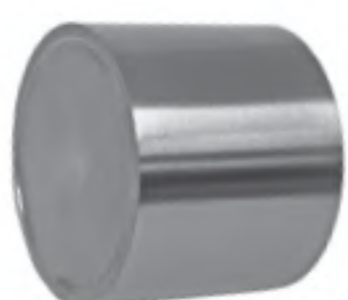
Quality	Finish	art.
Beech	natural	WB/D42-G2
Oak		WD/D42-G2




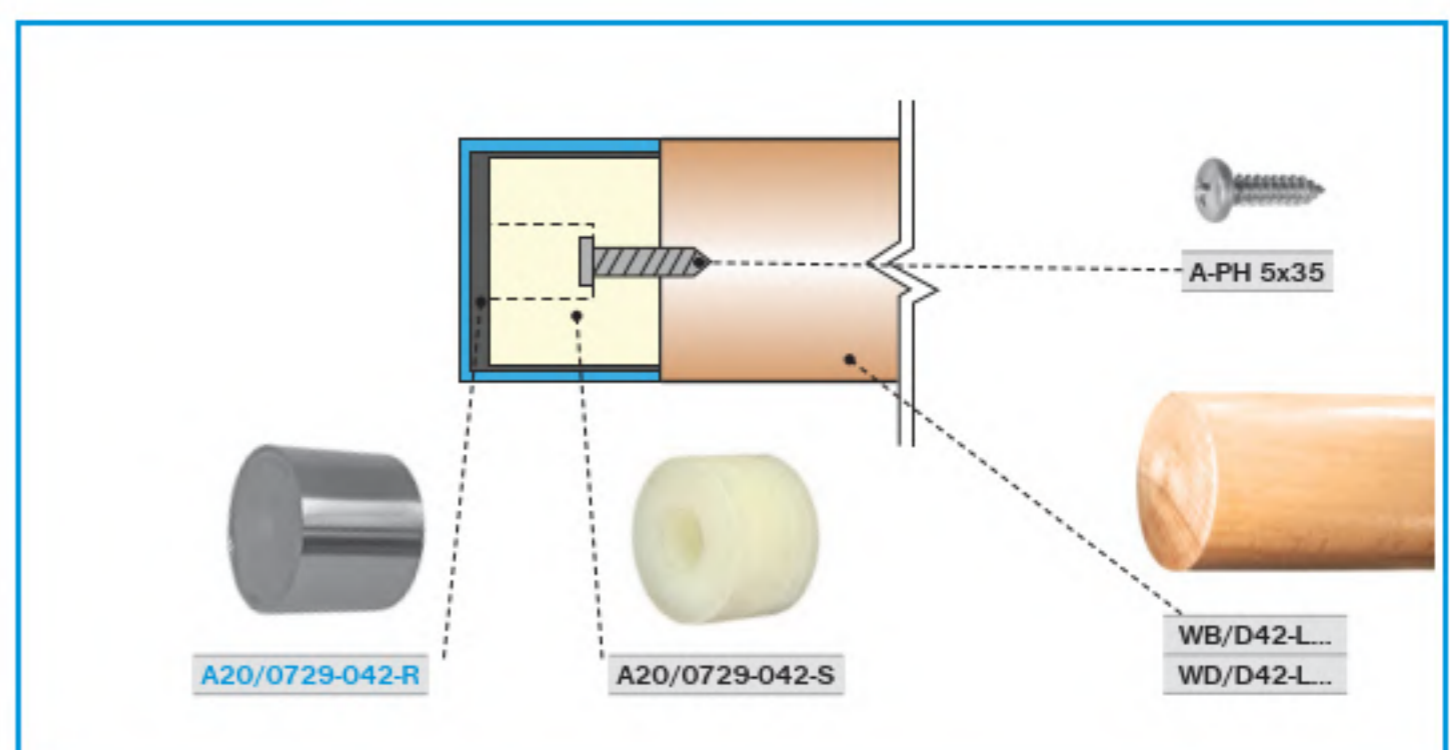
Quality	Finish	art.	wood
AISI304	satin	A20/0729-042	



Quality	Finish	art.
Beech	natural	WOOD/D15x40



Quality	Finish	art.	wood
AISI304	satin	A20/0729-042-R	



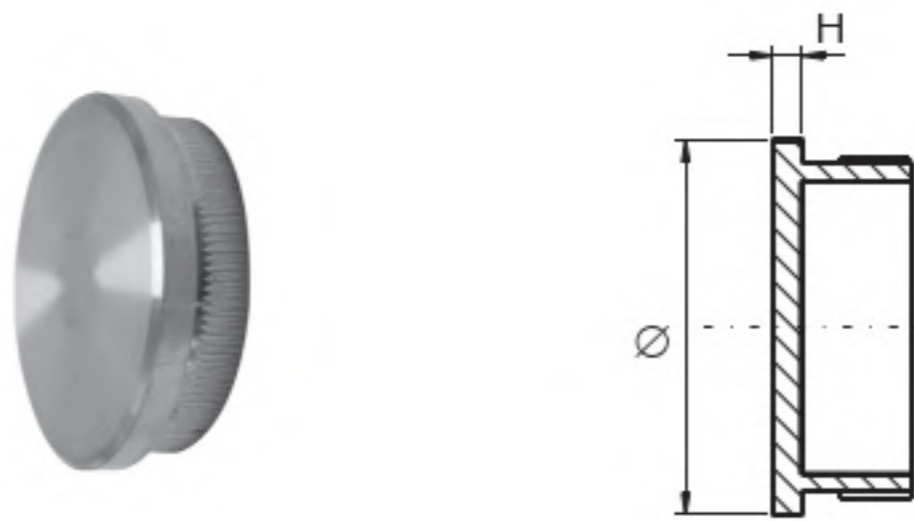


Quality	Finish	Ø	art.	H
AISI304	satin	33,7x2,0	A/5729-233-B	5
		38x2,0	A/5729-238	
		42,4x2,0	A/5729-242	
	PVD Black	42,4x2,0	A-PVD/5729-242	7
	satin	48,3x2,0	A/5729-248	
AISI316	polish	42,4x2,0	A/5729-242-L	7
	polish	42,4x2,0	A14/5729-242	

new
top
new



Quality	Finish	Ø	art.	H
AISI304	satin	33,7x2,0	A/5728-233	6
			A/5728-242	
		42,4x2,0	A/5728-242-A	9
			A/5728-242-B	4
			A/5728-242-C	2
		42,4x3,0	A/5728-243	6

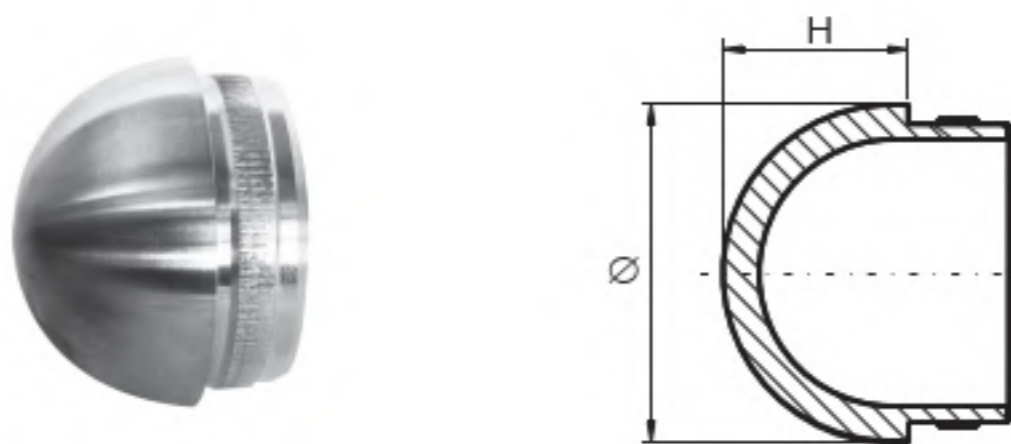


Quality	Finish	Ø	art.	H
AISI304	satin	33,7x2,0	A/5732-233	3
		42,4x2,0	A/5732-242	
		48,3x2,0	A/5732-248	
	polish	42,4x2,0	A/5732-242-L	3
AISI316	satin	42,4x2,0	A14/5732-242	
	polish	42,4x2,0	A14/5732-242-L	

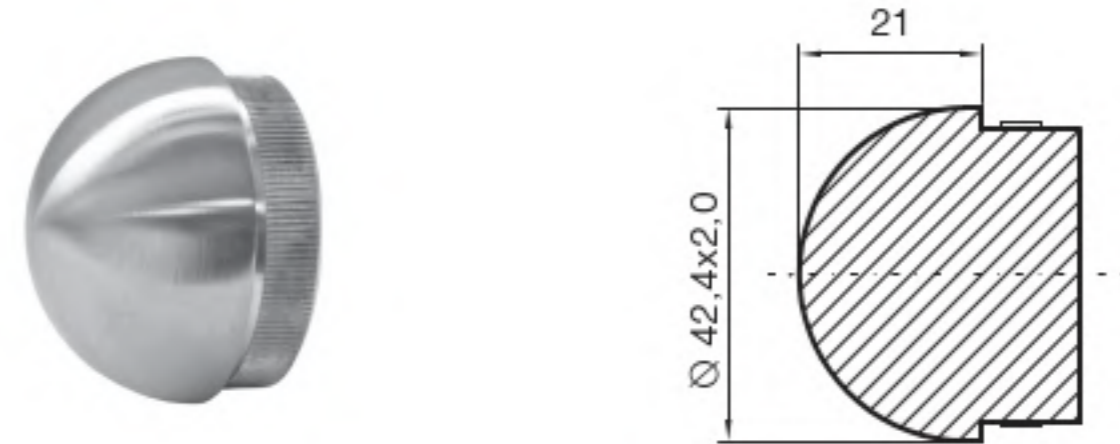
top



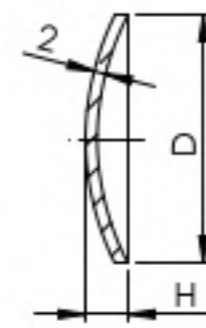
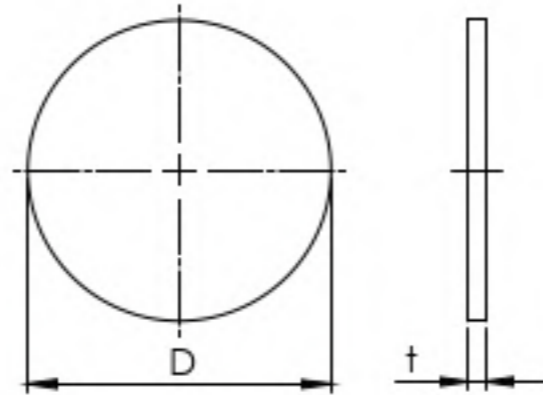
Quality	Finish	Ø	art.	H
AISI304	satin	33,7x2,0	A/5731-233	1,4
			A/5731-242	3
		42,4x2,0	A/5731-242-A	5
AISI316			A14/5731-242	3



Quality	Finish	Ø	art.	H
AISI304	satin	33,7x2,0	A/5730-233	17
		42,4x2,0	A/5730-242	21
		48,3x2,0	A/5730-248	23
	polish	42,4x2,0	A/5730-242-L	21
AISI316	satin	42,4x2,0	A14/5730-242	



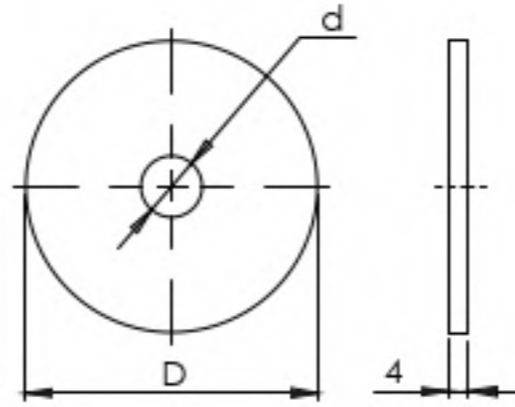
Quality	Finish	Ø	art.
AISI304	satin	42,4x2,0	A/5733-242



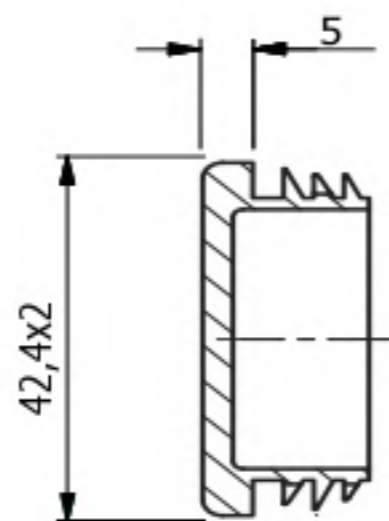
Quality	Finish	D	art.	t
AISI304	satin	33	A/1732-033	4
		40	A/1732-040	
		42	A/1732-042	
		48	A/1732-048	
		50	A/1732-050	
		60	A/1732-060	
		80	A/1732-080	
		100	A/1732-100	
	120	A/1732-120x6	6	
	polish	42	A/1732-042-L	4

top

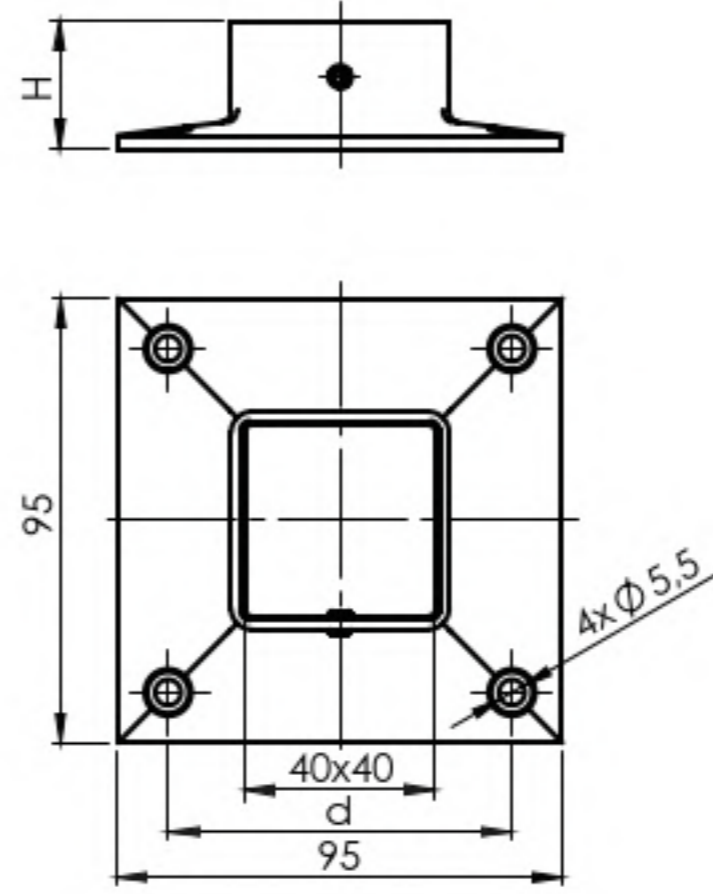
Quality	Finish	D	art.	H
AISI304	satin	33	A/1733-033	6



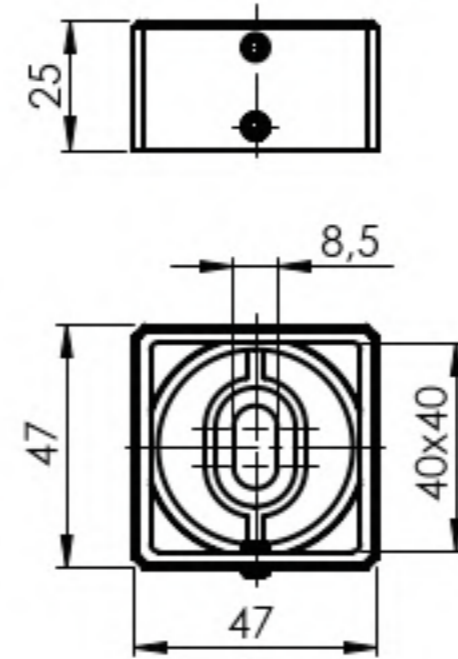
Quality	Finish	D	art.	d
AISI304	satin	50	A/1732-050-10	10,5



Quality	Finish	D	art.
PVC	gray	42,4 x2,0	A9/42-PVC

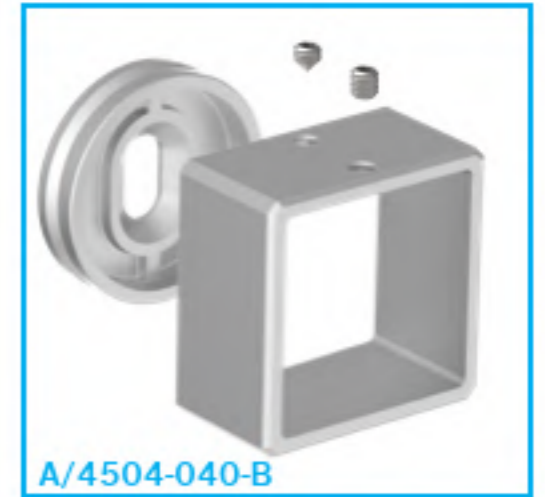


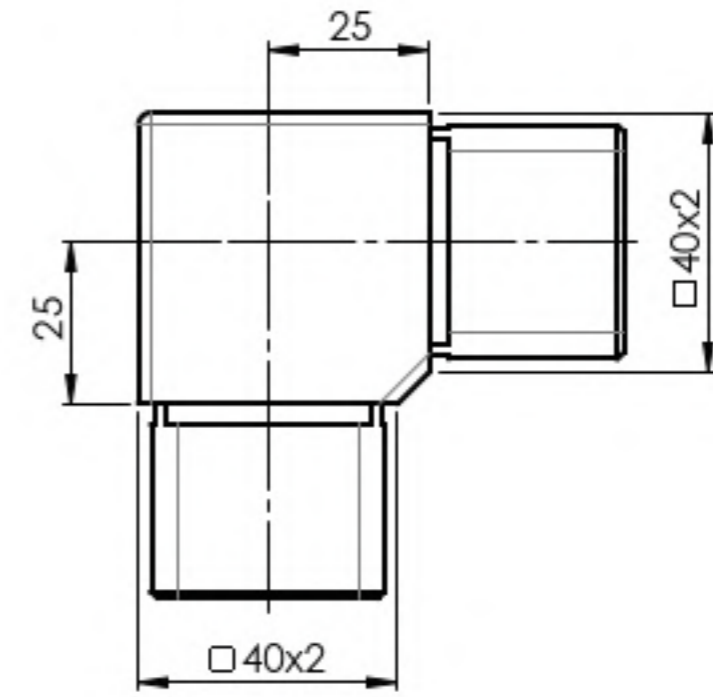
Quality	Finish	art.	d	H
AISI304	satin	A/4505-040	73,5	28
		A/4505-040-B	70	23



Quality	Finish	art.
AISI304	satin	A/4504-040
		A/4504-040-B

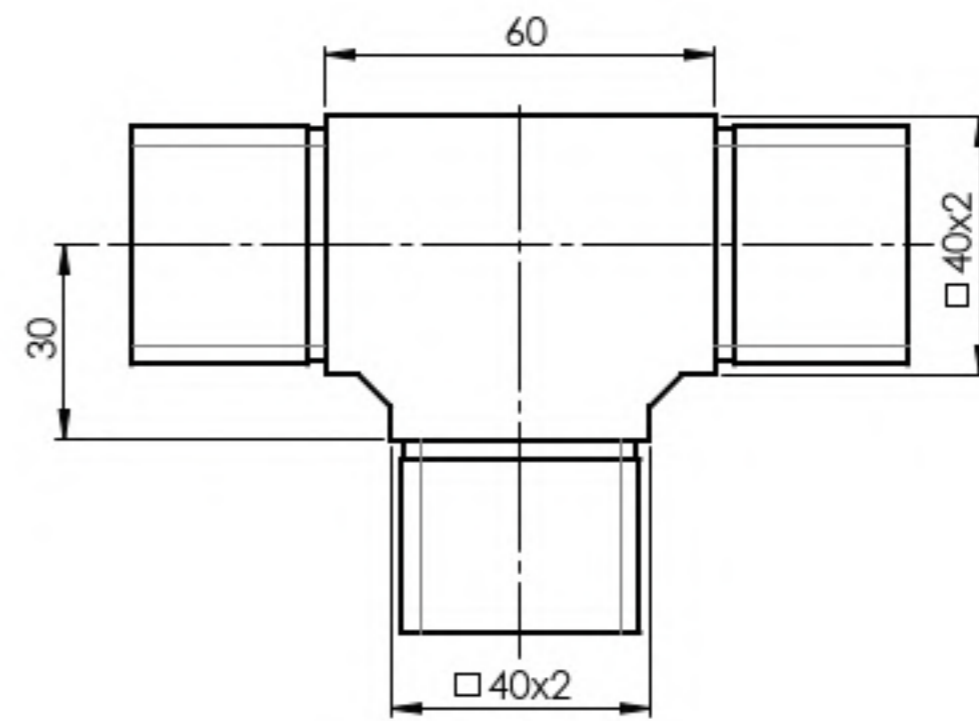
new



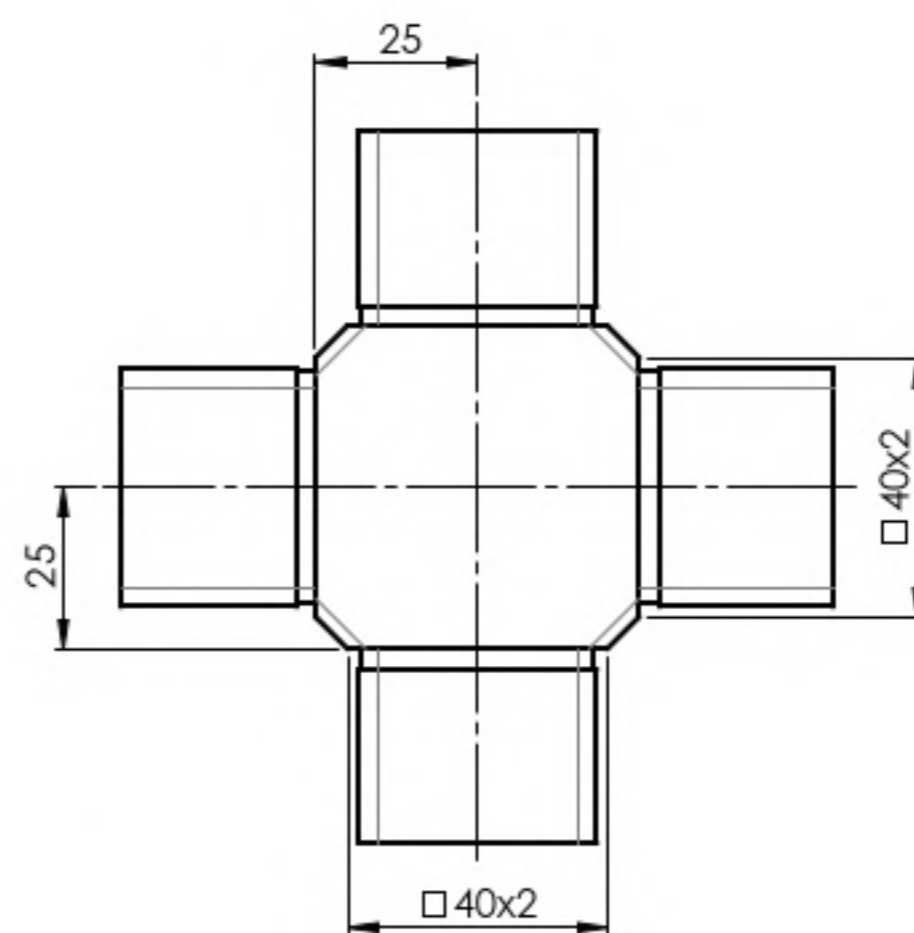


Quality	Finish	art.
AISI304	satin	A/4301-040
AISI316		A14/4301-040

top



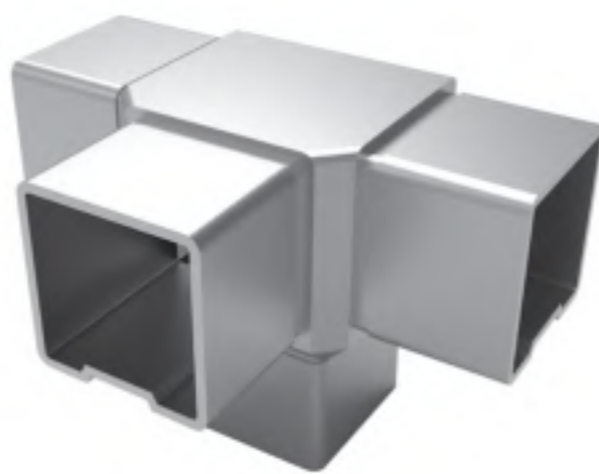
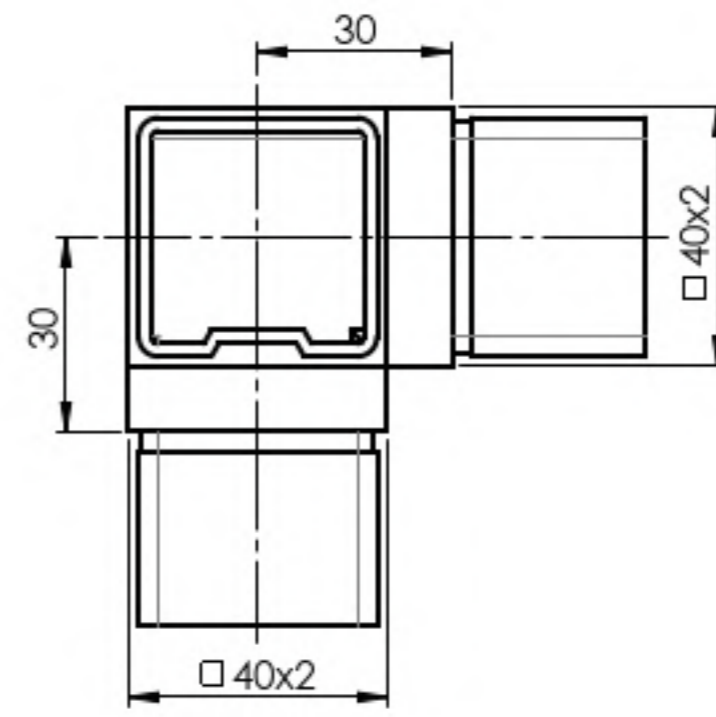
Quality	Finish	art.
AISI304	satin	A/4307-040
AISI316		A14/4307-040



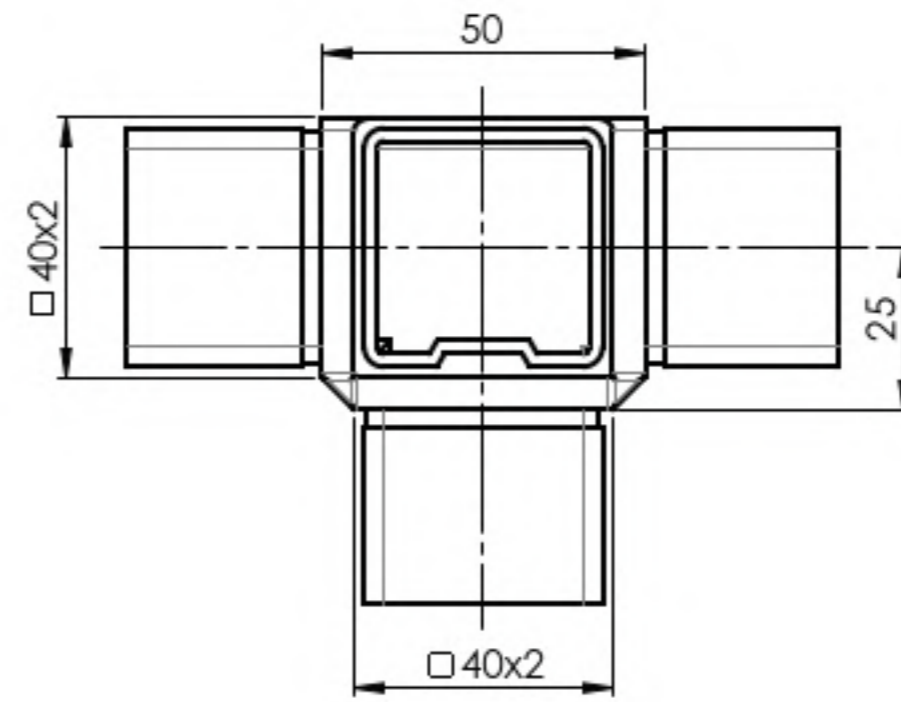
Quality	Finish	art.
AISI316	satin	A14/4308-040



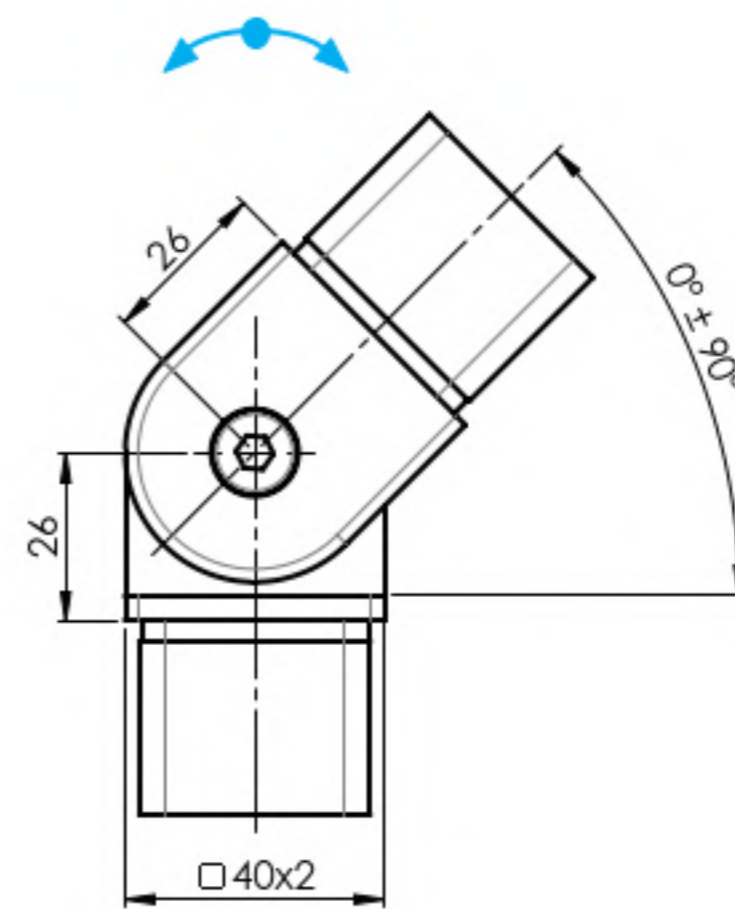
Quality	Finish	art.
AISI304	satin	A/4304-040
AISI316		A14/4304-040

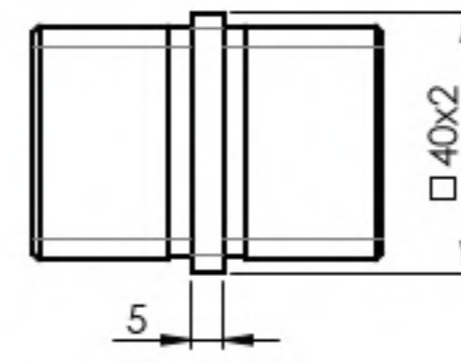


Quality	Finish	art.
AISI316	satin	A14/4309-040

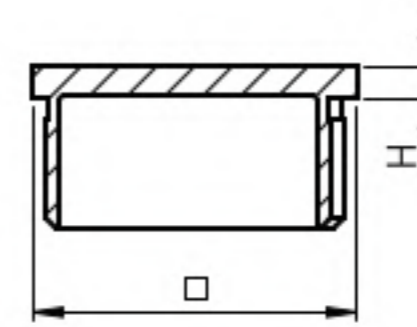


Quality	Finish	art.
AISI304	satin	A/4302-040
AISI316		A14/4302-040



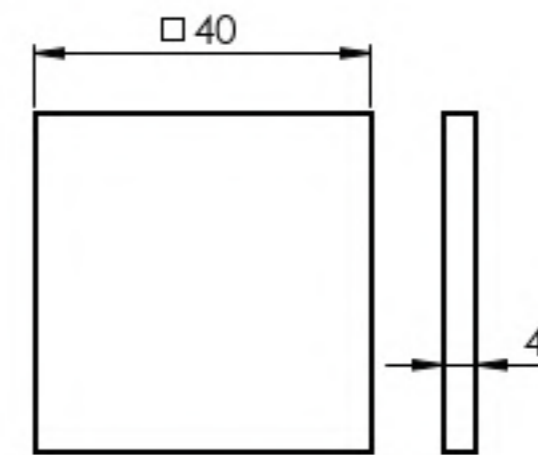


Quality	Finish	art.
AISI304	satin	A/4790-040
AISI316		A14/4790-040

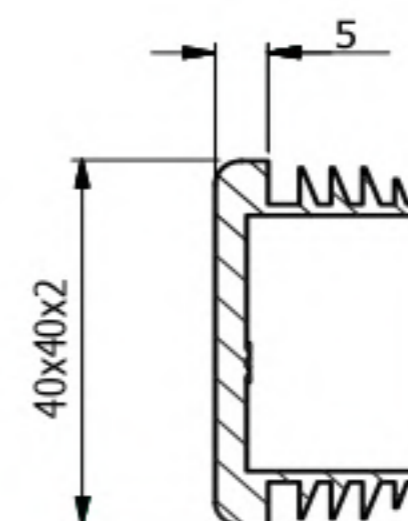


Quality	Finish	art.	∅	H
AISI304	satin	A/4732-030	30x30x2	5
		A/4732-040	40x40x2	
		A/4732-041	40x40x3	
AISI304	satin	A/4732-050	50x50x2	5
AISI316		A14/4732-040	40x40x2	

top



Quality	Finish	art.
AISI304	satin	A/1734-040



Quality	Finish	∅	art.
PVC	gray	40x40x2	A9/40x40-PVC

	Quality	Finish	∅	art.		A / 42,4x2-1000	A/ 0110-000	A/ 5729-242	A6/ 42-55-35-B	A-DIN 7991-A2 M6x14
	AISI304	satın	42,4x2	A/M-1000-M		1x 1000mm	2x	2x	2x	2x

	Quality	Finish	∅	art.		A / 42,4x2-1000	A/ 0110-000	A/ 0791-042	A6/ 42-55-35-B	A-DIN 7991-A2 M6x14
	AISI304	satın	42,4x2	A/M-1000-M1		1x 1000mm	1x	1x	1x	1x

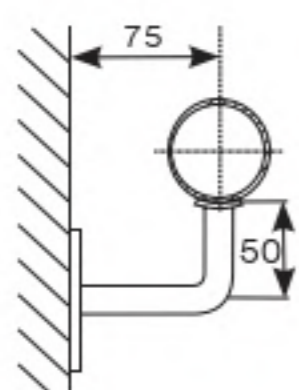
A/M-1000-M
A/M-1000-M1

2m = 1x A/M-1000-M + 1x A/M-1000-M1
3m = 1x A/M-1000-M + 2x A/M-1000-M1
 ...

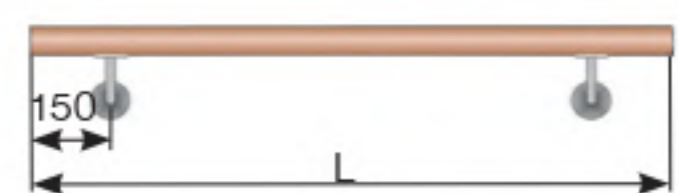
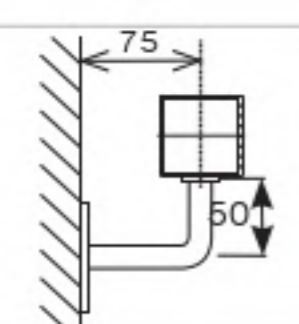
MODEL SETS



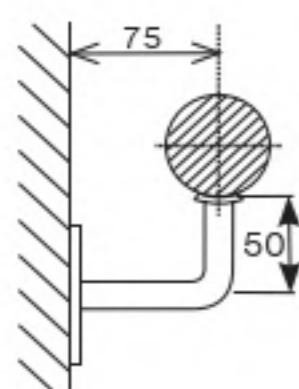
Quality	Finish	Ø	art.	L	A/0111-042	A/5729-242	A-DIN 7380-A2 M5x12	
AISI304	satin	42,4x2	A/M-1000	1000				
	polish		A/M-1500	1500				
	satin		A/M-1500-L	1500	2x		4x	
	polish		A/M-2000	2000				
	satin		A/M-2000-L	2000				
	polish		A/M-3000	3000	3x	2x	6x	
	satin		A/M-3000-L	3000	4x		8x	
	polish		A/M-4000	4000	5x		10x	
	satin		A/M-5000	5000				
	polish		A/M-6000	6000				
					A/M-6000-L			



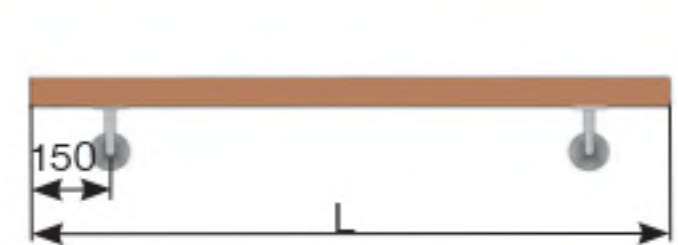
Quality	Finish	D x h x t	art.	L	A/0111-000	A/4732-040	A-DIN 7380-A2 M5x12
AISI304	satin	40x40x2	AJP/M-1000	1000			
			AJP/M-1500	1500	2x		4x
			AJP/M-2000	2000			
			AJP/M-3000	3000	3x	2x	6x
			AJP/M-4000	4000	4x		8x
			AJP/M-5000	5000	5x		10x
			AJP/M-6000	6000			



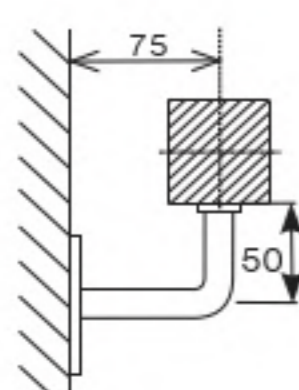
Quality	Finish	Ø	art.	L	A/0111-042	A/0117-042-B	A-BL/0111-042	A-PH 5x20
Beech	natural	42	WB/M-1200	1200				
			WB/M-1600	1600	2x			
			WB/M-2000	2000				
			WB/M-2000-CINK	2000				
			WB/M-2500-CINK	2500	3x			
			WB/M-3000	3000				
	black lacquere		WB/M-3000-CINK	3000				
			WB/M-3000-BLACK	3000			3x	
			WB/M-3000-LACQ	3000				3x
			WB/M-4000	4000	4x			8x
			WB/M-4000-CINK	4000	2x			4x
			WB/M-1200	1200				
Oak	natural	WD/M-1600	1600	2x				
		WD/M-2000	2000					
		WD/M-2500	2500	3x				
		WD/M-2500-CINK	2500					
		WD/M-3000	3000					
		WD/M-3000-LACQ	3000			3x		
	lacquere	WD/M-3000-CINK	3000	3x				
		WD/M-4000	4000	4x			8x	
		WD/M-4000-CINK	4000					



new
new
new
new
new
new
new
new
new
new
new
new



Quality	Finish	D x h x t	art.	L	A/0111-000	A-PH 5x20
Beech	natural	40x40	WBJP/M-2000	2000		
			WBJP/M-2000-CINK	2000		
			WBJP/M-2500	2500	3x	6x
			WBJP/M-2500-CINK	2500		
			WBJP/M-3000	3000		
			WBJP/M-3000-CINK	3000		
Oak	natural	WBJP/M-4000	4000	4x		8x
		WBJP/M-4000-CINK	4000			
		WDJP/M-2000	2000			
		WDJP/M-2000-CINK	2000			
		WDJP/M-2500	2500	3x	6x	
		WDJP/M-2500-CINK	2500			
		WDJP/M-3000	3000			
		WDJP/M-3000-CINK	3000			
new	new	new	WDJP/M-4000	4000	4x	8x
			WDJP/M-4000-CINK	4000		



new
new
new
new
new
new
new
new
new
new

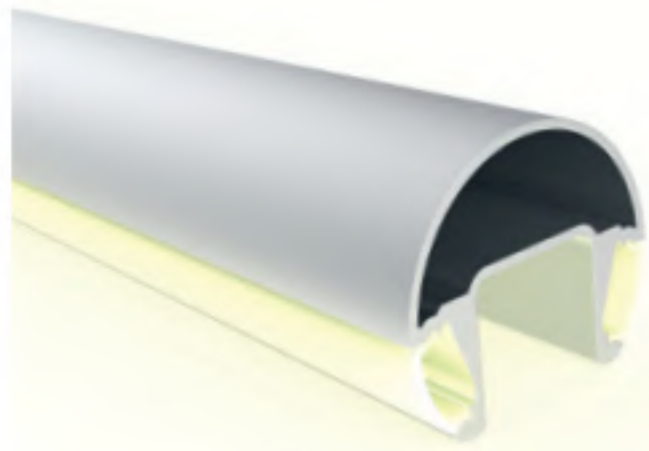


not assembled

6

LED HANDRAIL SETS





**LED HANDRAILS -
ROUND**

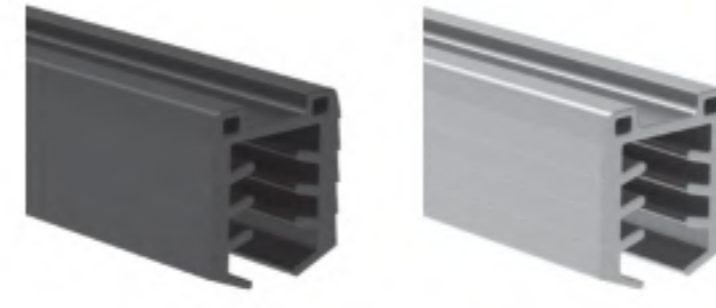
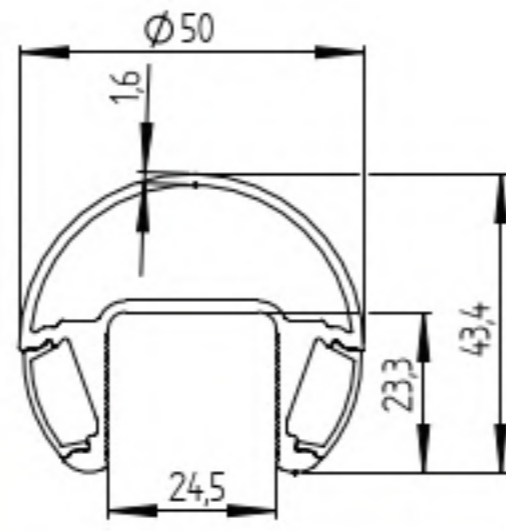
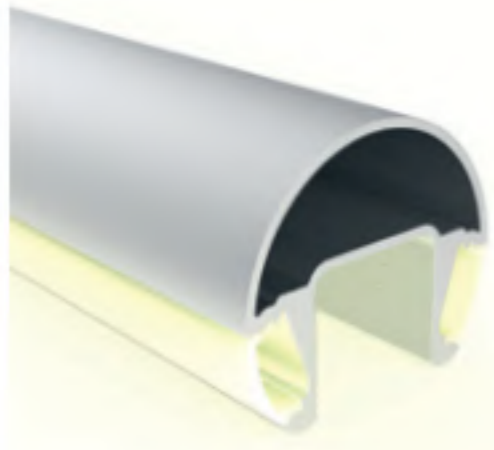


**LED HANDRAIL SETS -
ROUND**



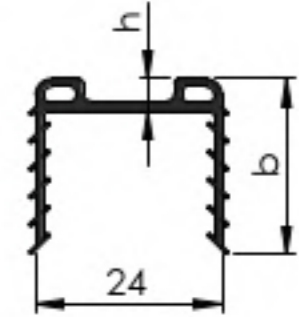
**LED HANDRAIL SETS -
SQUARE**

MODEL 50/AL/LED



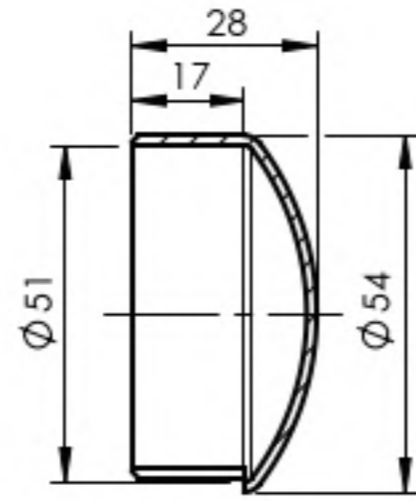
EPDM - exterior

PVC-P - interior

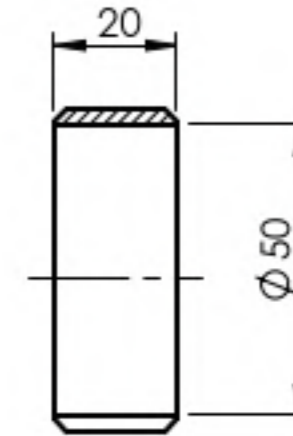


Quality	Finish	Effect	art.	L	
ALUMINIUM	satin	silver	AL/6920-050-LED-S-E	6000	✓
		black	AL/6920-050-LED-S-EB		

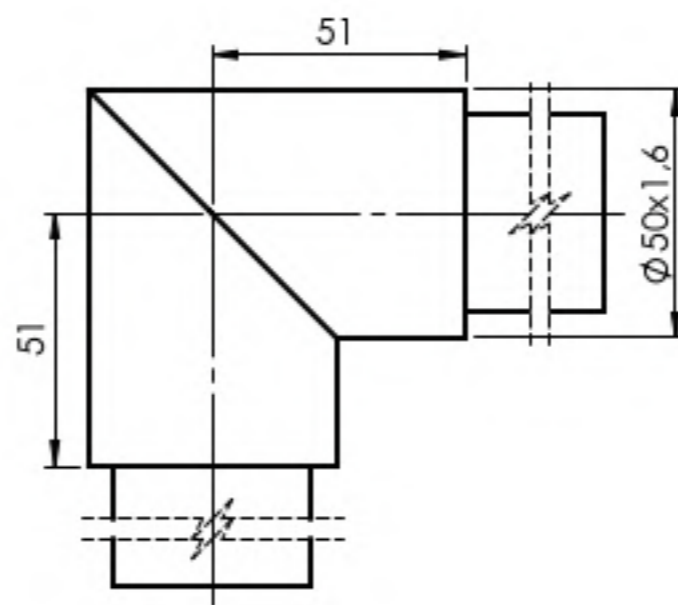
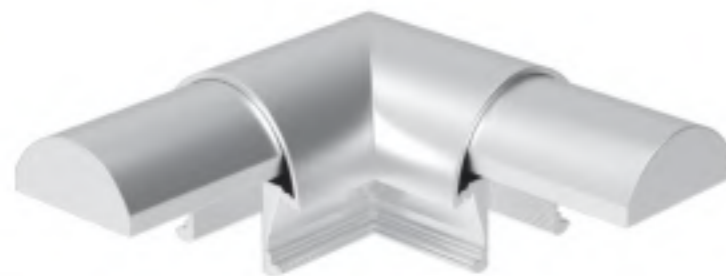
Quality	Finish	art.	Glass t	b	h	L	
Rubber	black (exterior)	A19/5042-08-2500	8,0-11,0	22	5	2500	
		A19/5042-08-5000				5000	
		A19/5042-08-6000				6000	
		A19/5042-11-2500	11,5-13,5				2500
		A19/5042-11-5000					5000
		A19/5042-11-6000					6000
		A19/5042-13-2500	13,5-16,0	25	4,5		2500
		A19/5042-13-5000					5000
		A19/5042-13-6000					6000
		A19/5042-16-2500	16,0-17,5	21,5	4,2		2500
		A19/5042-16-5000					5000
		A19/5042-16-6000					6000
		A19/5042-16-30000					30000
		A19/5042-21-2500	20,76-21,52	24	3,5		2500
		A19/5042-21-5000					5000
A19/5042-21-6000	6000						
Rubber interior	gray (interior)	A19/5042-G-16-2500	16,0-17,5	21,5	4,2	2500	
		A19/5042-G-16-5000				5000	



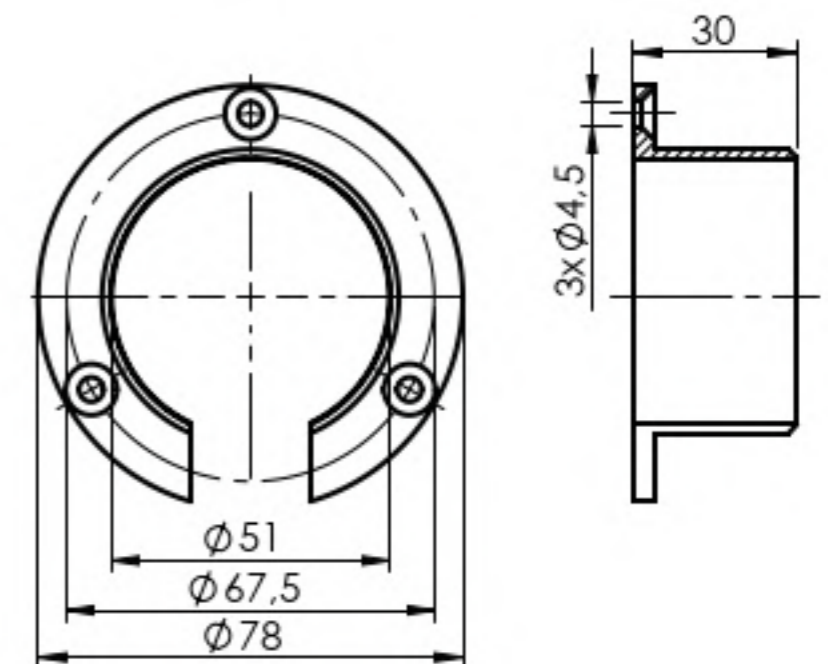
Quality	Finish	art.
ALUMINIUM	satin	AL/6732-050-LED



Quality	Finish	art.
ALUMINIUM	satin	AL/6790-050-LED



Quality	Finish	art.
ALUMINIUM	satin	AL/6313-050-LED



Quality	Finish	art.
ALUMINIUM	satin	AL/6505-050-LED



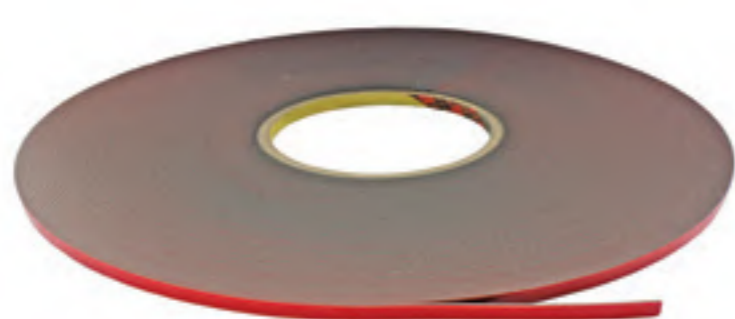
	Quality	Finish	Ø	art.	A/6925-042	LED/24x24-24V	5000K	YEM/2x0,75-SET	A14/4114-042-LED	A/6732-042
	AISI304	satın	42,4x1,5	A/6920-042-iLED-2500	1x (2500mm)	1x (2500mm)		1x	3x	2x



Quality	Finish	Color	art.	L	a x b	IP	Lumen	Power	Voltage	
PVC + SILICONE	white	5000K	LED/24x24-24V	25m	24 x 24	IP40/IP65*	120lm/m	8W/m	24VDC	✓

art.	L(m)
YEM/2x0,75-SET	0,75

* IP65 using silicone end



art.	t	b	L
Q9/03-0,2x9	0,2	9	50
Q9/03-0,5x9	0,5	9	33

art.	g
A/GLUE-50g-C	50

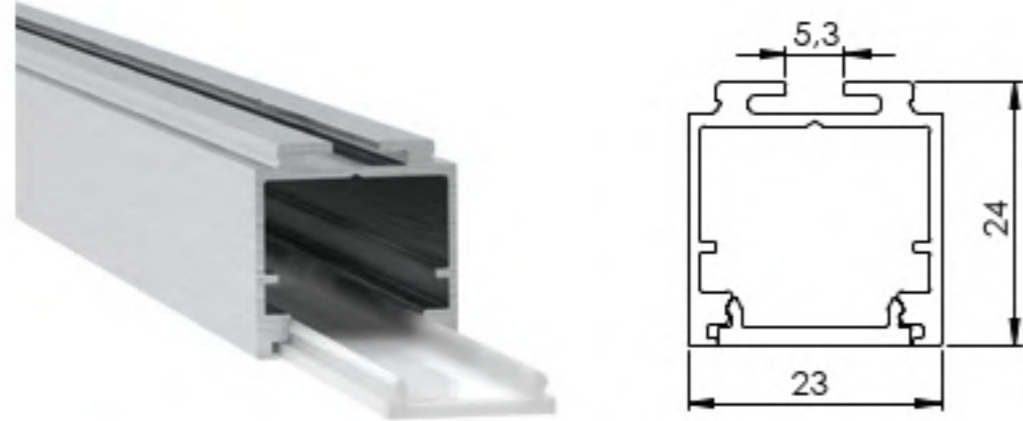
top

A/692...
A/6732-042
LED/24x24
YEM/2x0,75-SET
A14/4114-042-LED (for mount on wall)
A/GLUE...

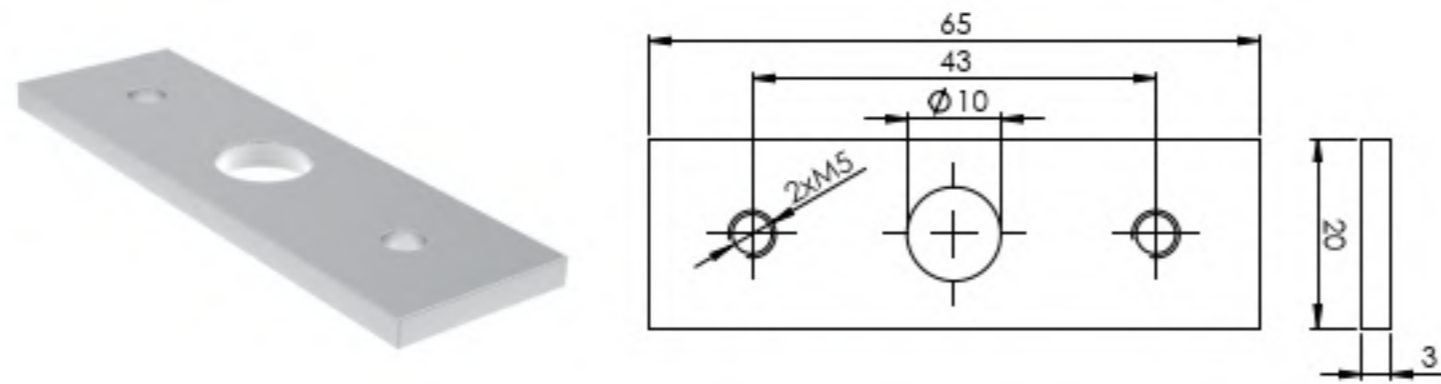


MODEL ROUND

	Quality	Finish	Ø	art.	A/6920-042	AL/23x24-5000-LED-SET	A14/PD-LED-23x24	A14/0112-000-LED-B	A/0112-000	A/6732-042
	AISI304	satin	42,4x1,5	A/6920-042-LED-5000-S1	1x (5000mm)	1x (5000mm)	5x	1x	4x	2x



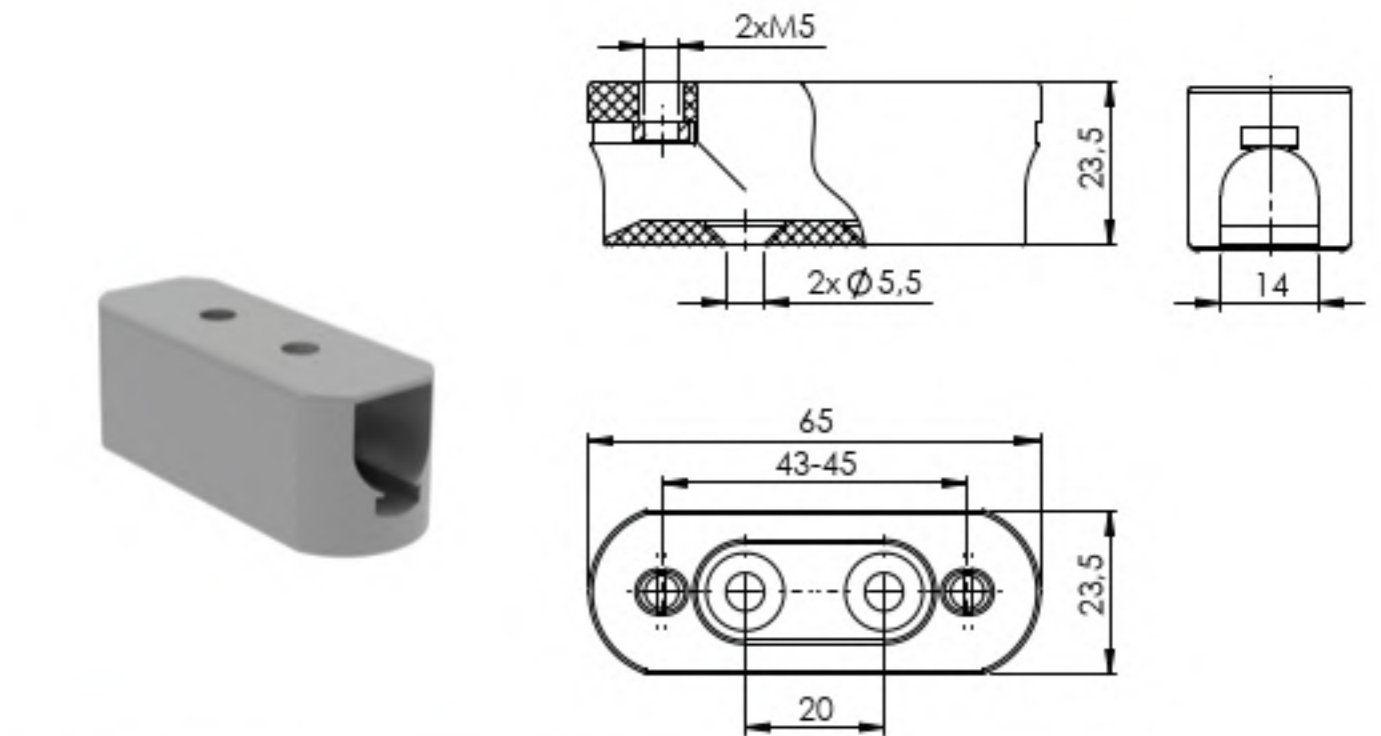
Material	Effect	art.	L
ALUMINIUM	raw	AL/23x24-5000-LED-SET	5000



Material	Effect	art.
AISI316	raw	A14/PD-LED-23x24

+

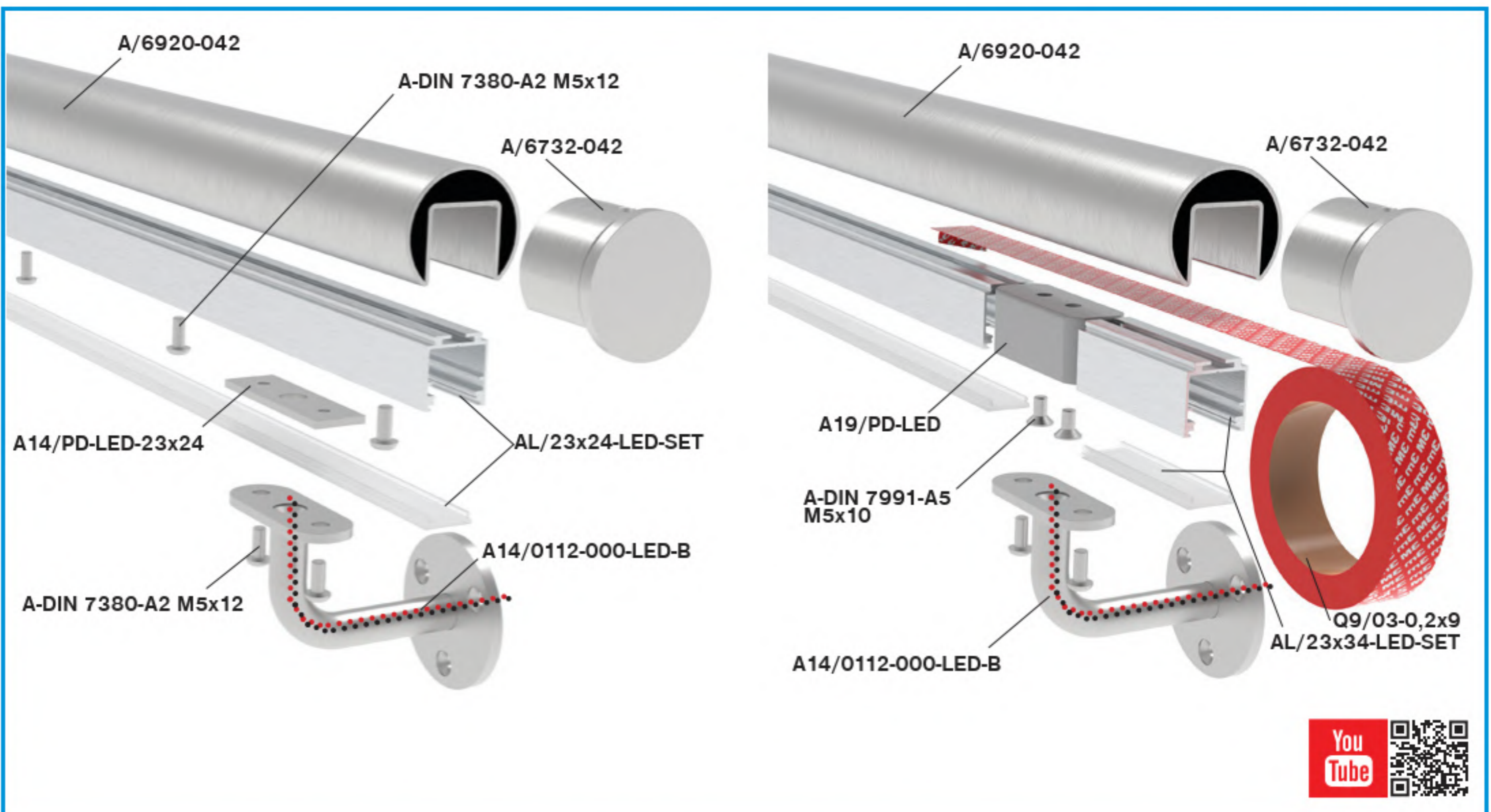
art.	A-DIN 7380-A2 M5x12	A-DRILL-M5	A/GLUE-20g
Quantity	20x	1x	1x



Quality	Finish	art.
PVC	Black	A19/PD-LED

6

LED HANDRAILS

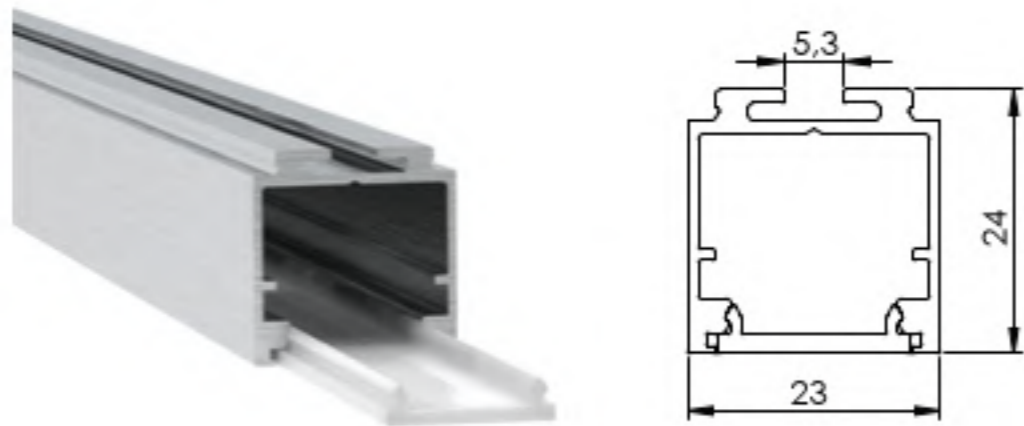


MODEL SQUARE

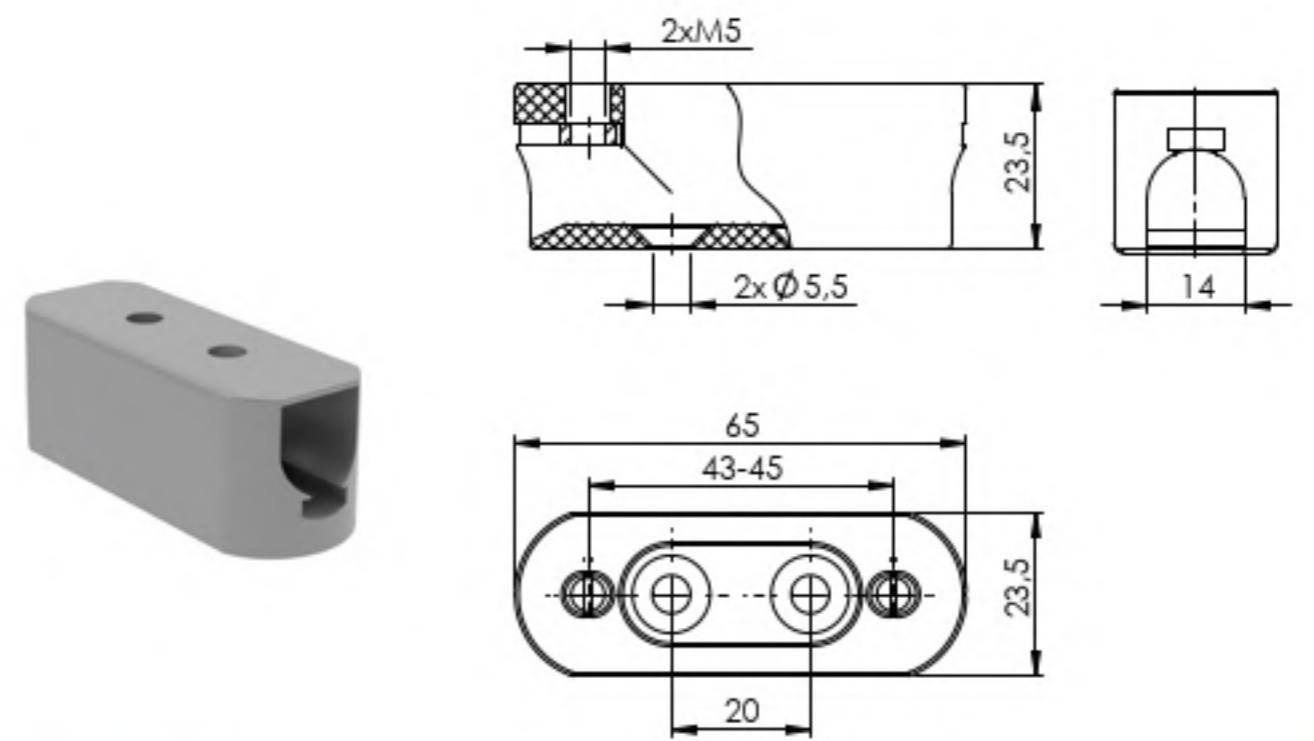
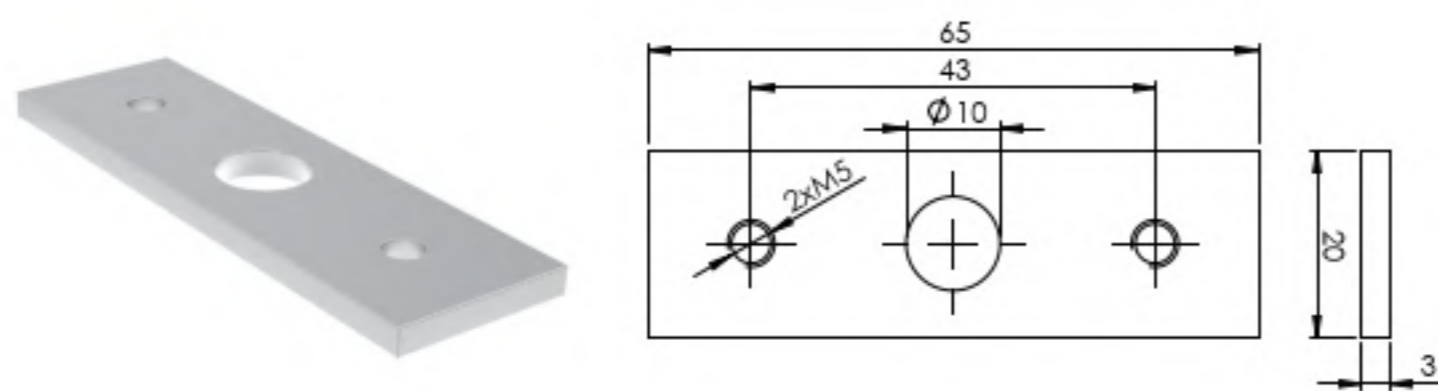
	Quality	Finish	art.	A/6920-040	AL/23x24-5000-LED-SET	A14/PD-LED-23x24	A/4111-000-LED	A/4732-040
	AISI304	satın	40x40	A/6920-040-LED-5000-S1	1x (5000mm)	1x (5000mm)	5x	5x

+

	art.	A-DIN 7380-A2 M5x12	A-DRILL-M5	A/GLUE-20g
	Quantity	20x	1x	1x

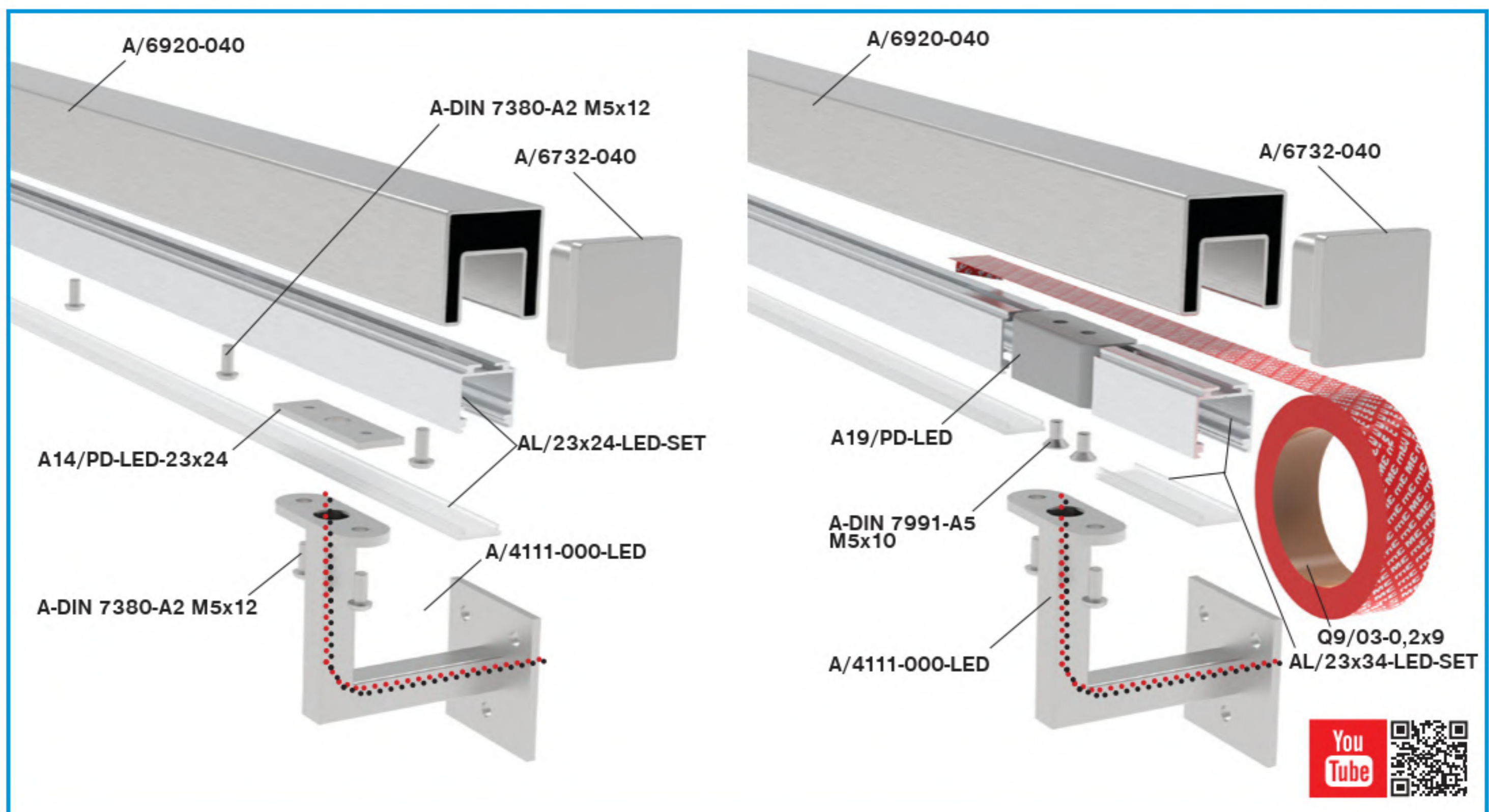


Material	Effect	art.	L
ALUMINIUM	raw	AL/23x24-5000-LED-SET	5000



Material	Effect	art.
AISI316	raw	A14/PD-LED-23x24

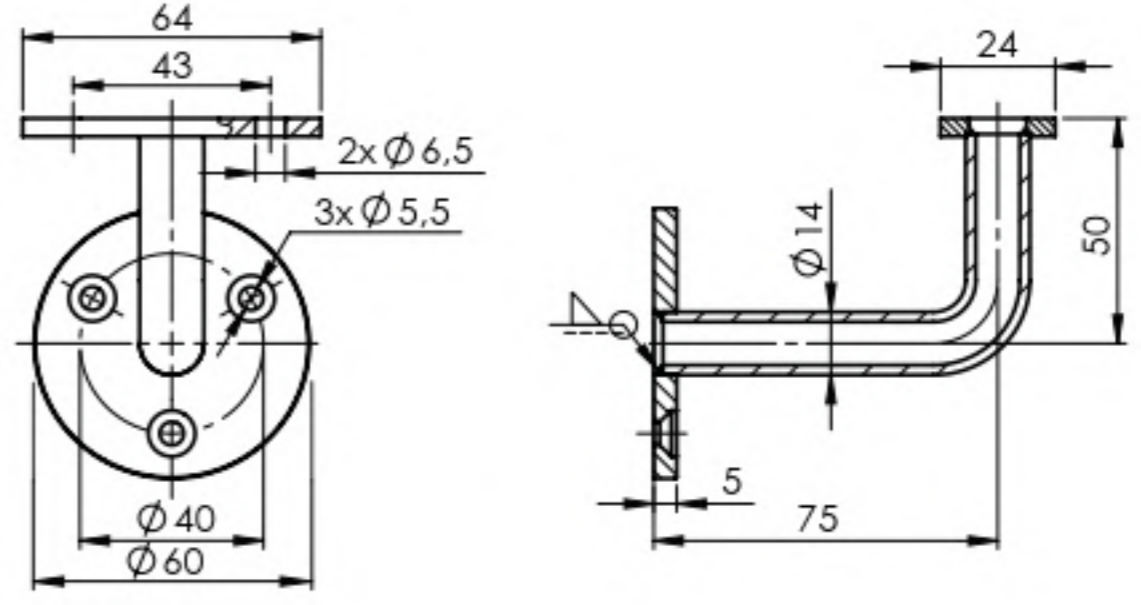
Quality	Finish	art.
PVC	Black	A19/PD-LED



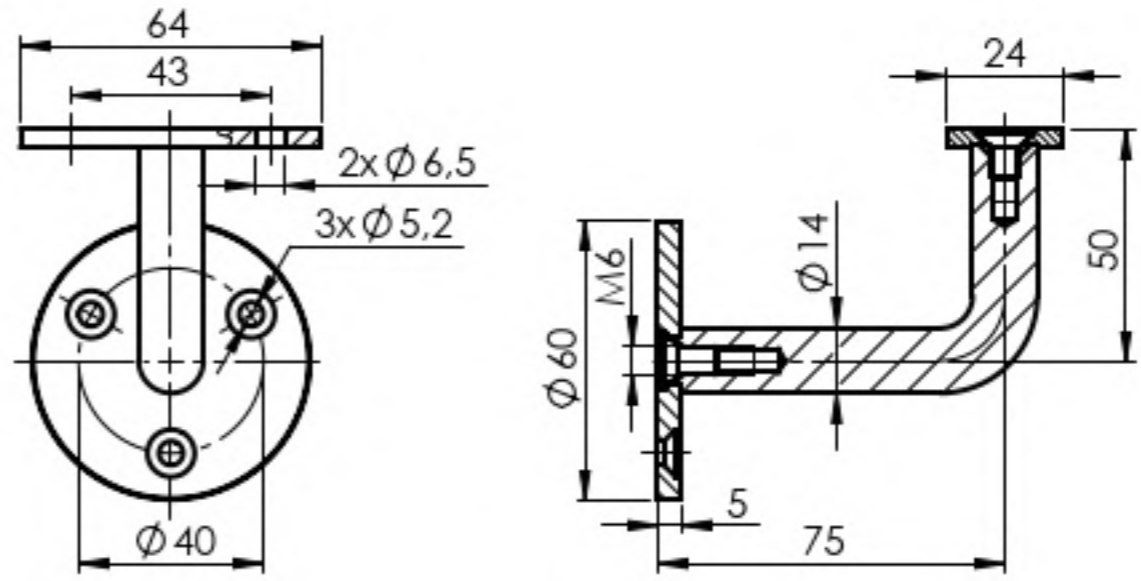
SYSTEM SCREW



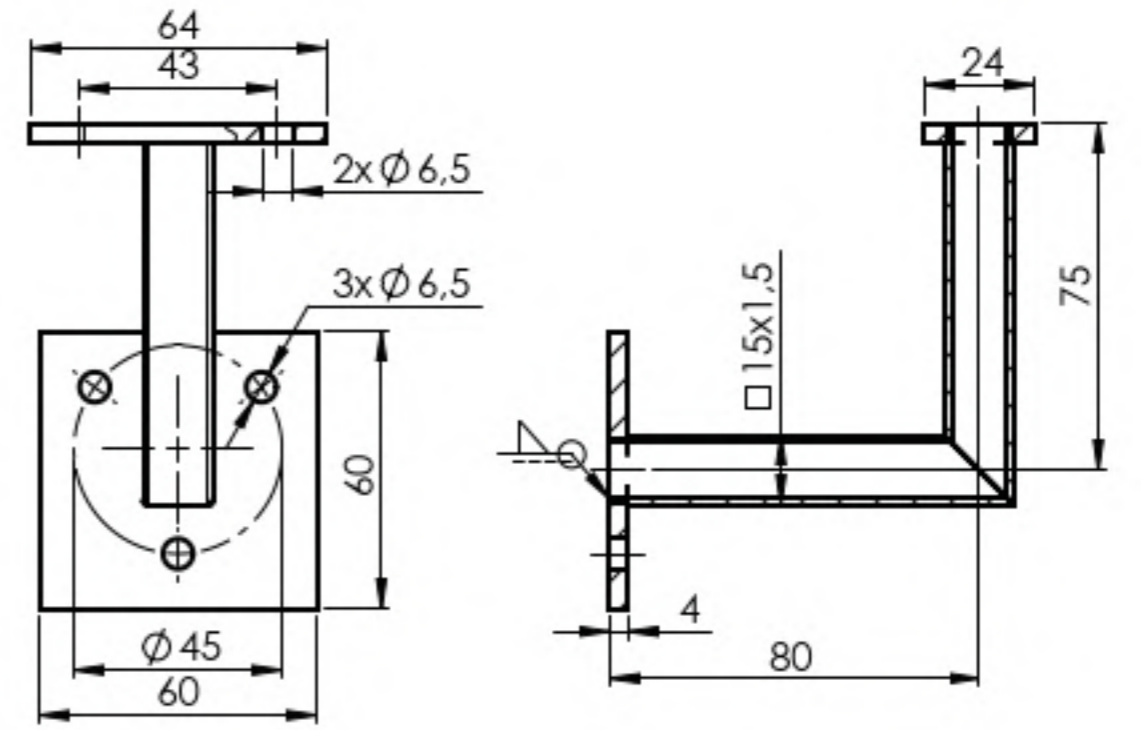
Quality	Finish	art.
AISI316	satın	A14/0112-000-LED-B



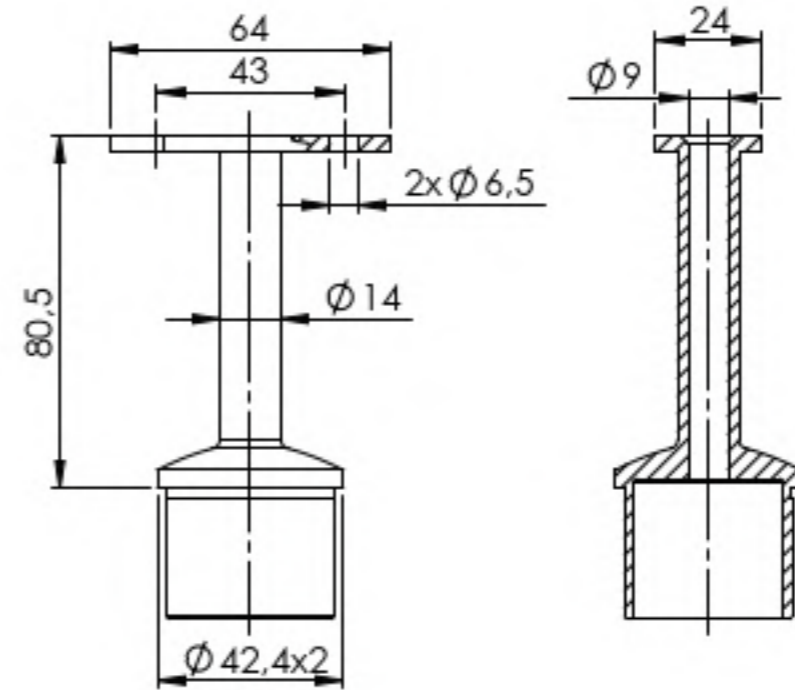
Quality	Finish	art.
AISI304	satın	A/0112-000
AISI316		A14/0112-000



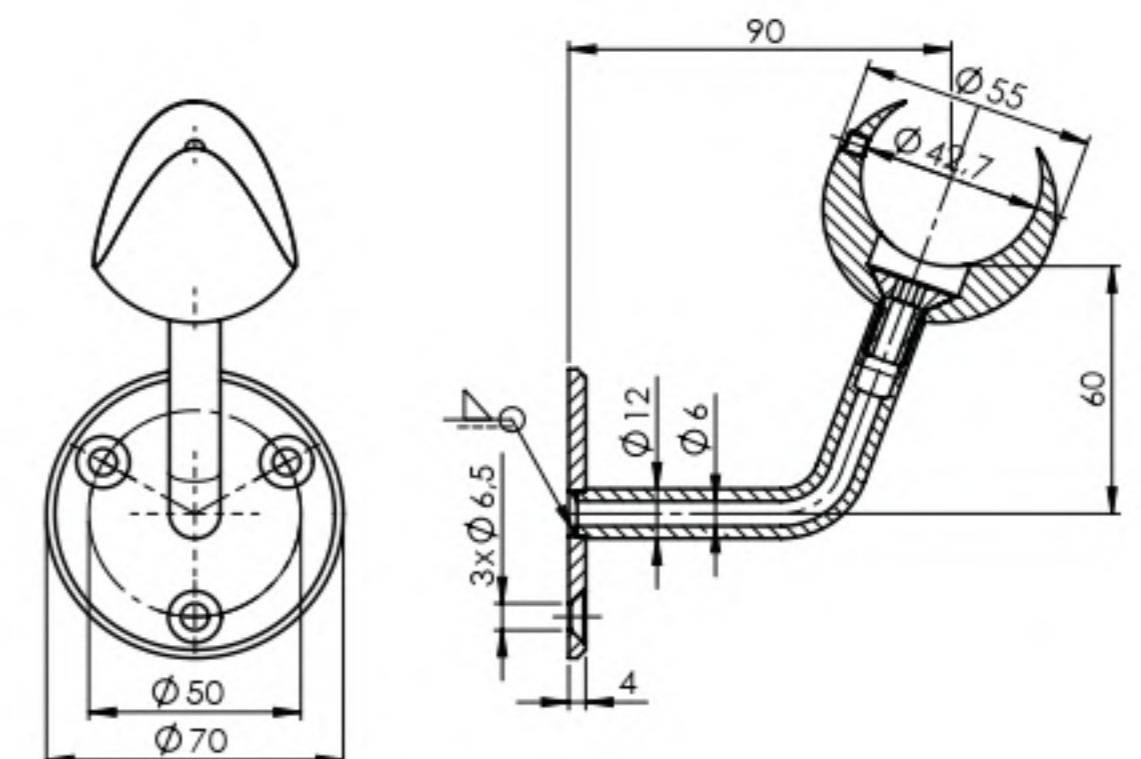
Quality	Finish	art.
AISI304	satın	A/4111-000-LED



Quality	Finish	art.
AISI304	satın	A/0710-242-LED



Quality	Finish	art.
AISI316	satın	A14/4114-042-LED





7

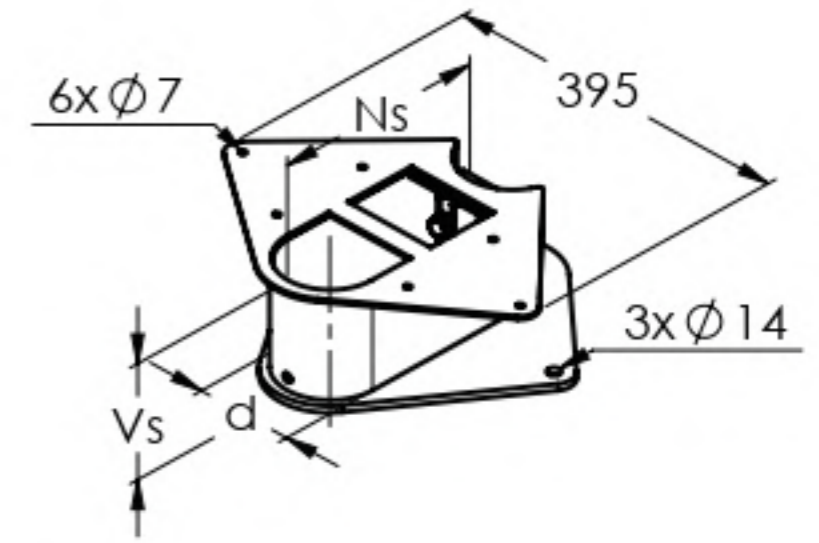
SEGMENT STAIRS



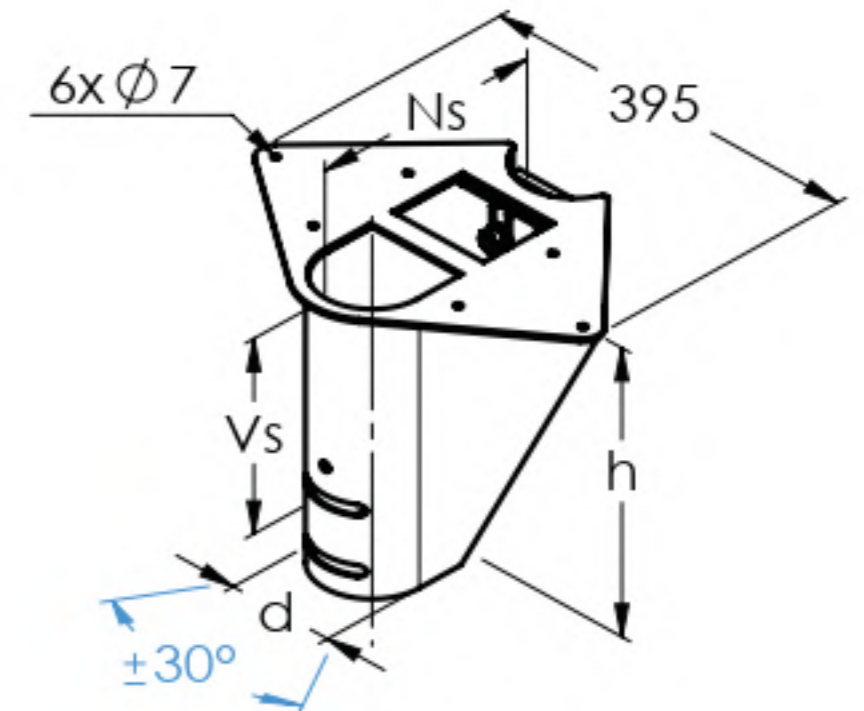
MODEL NS SEGMENTS



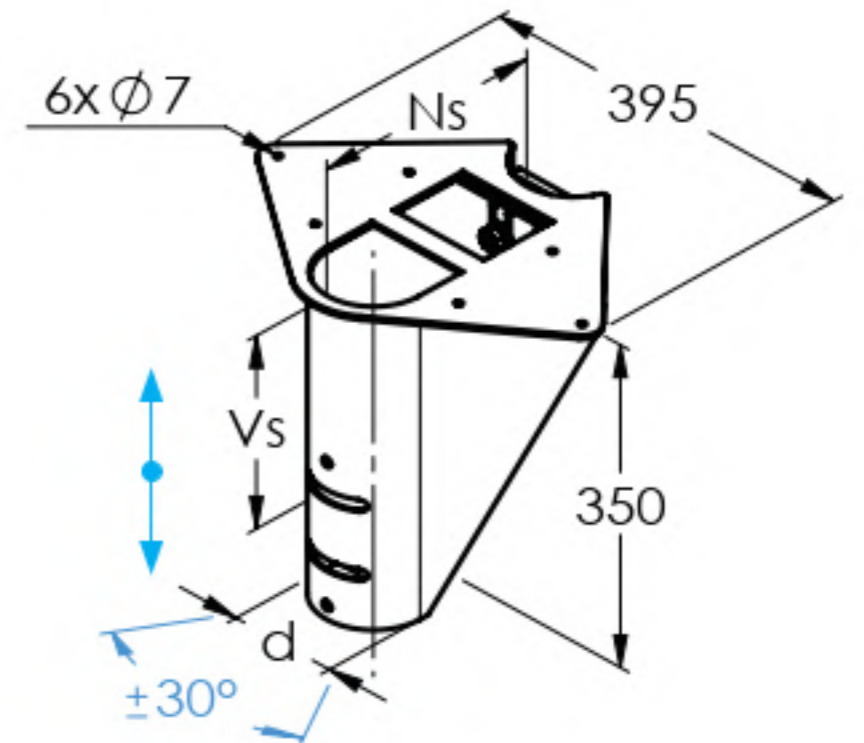
Quality	Finish	art.	V _s	N _s	d
Fe	raw	NS240-N1	140	240	114
CORTEN		NSC240-N1			
Fe		NS270-N1	130	270	138



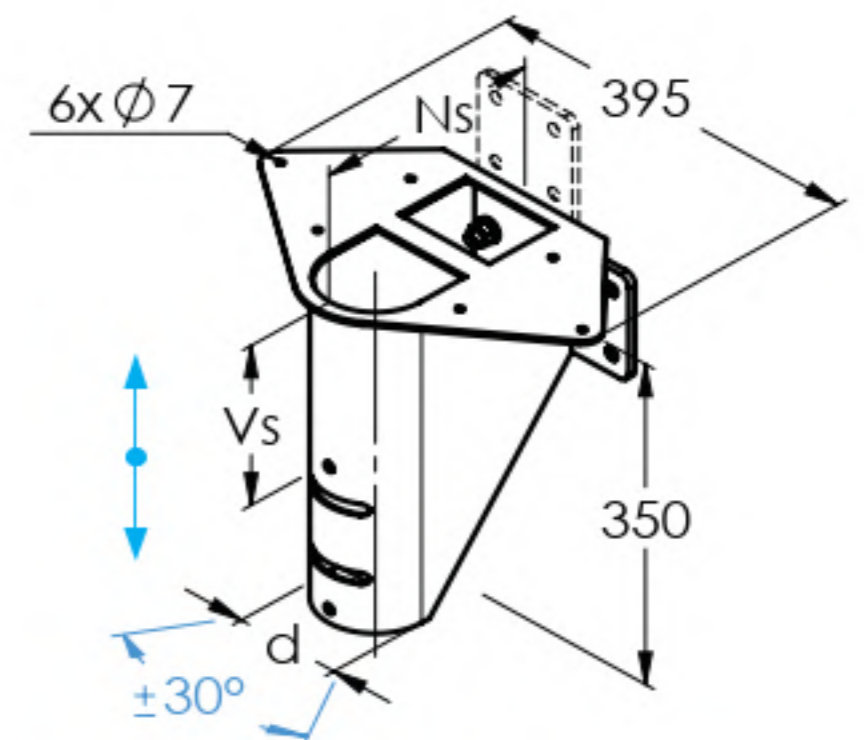
Quality	Finish	art.	V _s	N _s	d	h
Fe	raw	NS240-N2	180	240	114	310
CORTEN		NSC240-N2				
Fe		NS270-N2	170	270	138	290



Quality	Finish	art.	V _s (min)	V _s (max)	N _s	d
Fe	raw	NS240	170	190	240	114
CORTEN		NSC240				
Fe		NS270	160	180	270	138



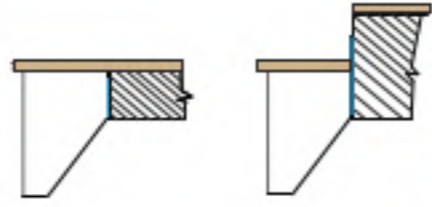
Quality	Finish	art.	V _s (min)	V _s (max)	N _s	d
Fe	raw	NS240-NV	170	190	240	114
CORTEN		NSC240-NV				
Fe		NS270-NV	160	180	270	138



ASSEMBLY MATERIAL IS INCLUDED IN ALL NS SETS AND INDIVIDUAL SEGMENTS

MODEL NS SETS

NS 240



ALT. 2

ALT. 1



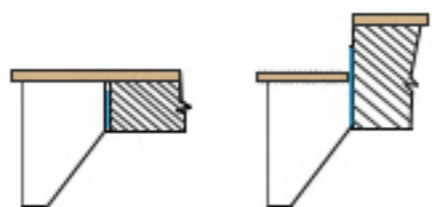
ALT. 2



ALT. 1

quality	finish	art.	HEIGHT (mm)		t (mm)	NS240		NS240		NS240		NS240		
			min-max	min-max		N1	N2				NV			
Fe	raw		180		40	1x								
			360		40	1x	1x							
			530-550	700-740	40	1x	1x					1x		
			700-740	870-930	40	1x	1x	1x				1x		
			870-930	1040-1120	40	1x	1x	2x				1x		
			1040-1120	1210-1310	40	1x	1x	3x				1x		
			1210-1310	1380-1500	40	1x	1x	4x				1x		
			1380-1500	1550-1690	40	1x	1x	5x				1x		
			1550-1690	1720-1880	40	1x	1x	6x				1x		
			1720-1880	1890-2070	40	1x	1x	7x				1x		
			1890-2070	2060-2260	40	1x	1x	8x				1x		
				NS240/V245-223	2060-2260	2230-2450	40	1x	1x	9x			1x	
				NS240/V264-240	2230-2450	2400-2640	40	1x	1x	10x			1x	
				NS240/V283-257	2400-2640	2570-2830	40	1x	1x	11x			1x	
				NS240/V302-274	2570-2830	2740-3020	40	1x	1x	12x			1x	
			2740-3020	2910-3210	40	1x	1x	13x			1x			
			2910-3210	3080-3400	40	1x	1x	14x			1x			

NS 270



ALT. 2

ALT. 1



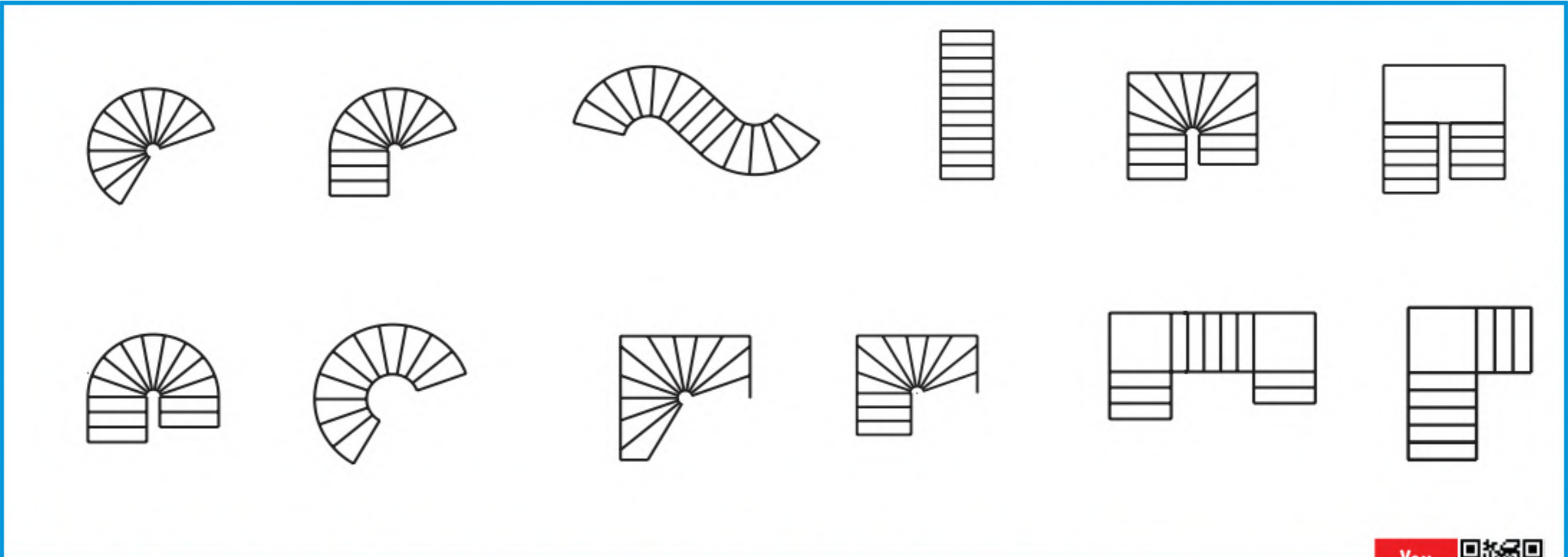
ALT. 2

ALT. 1

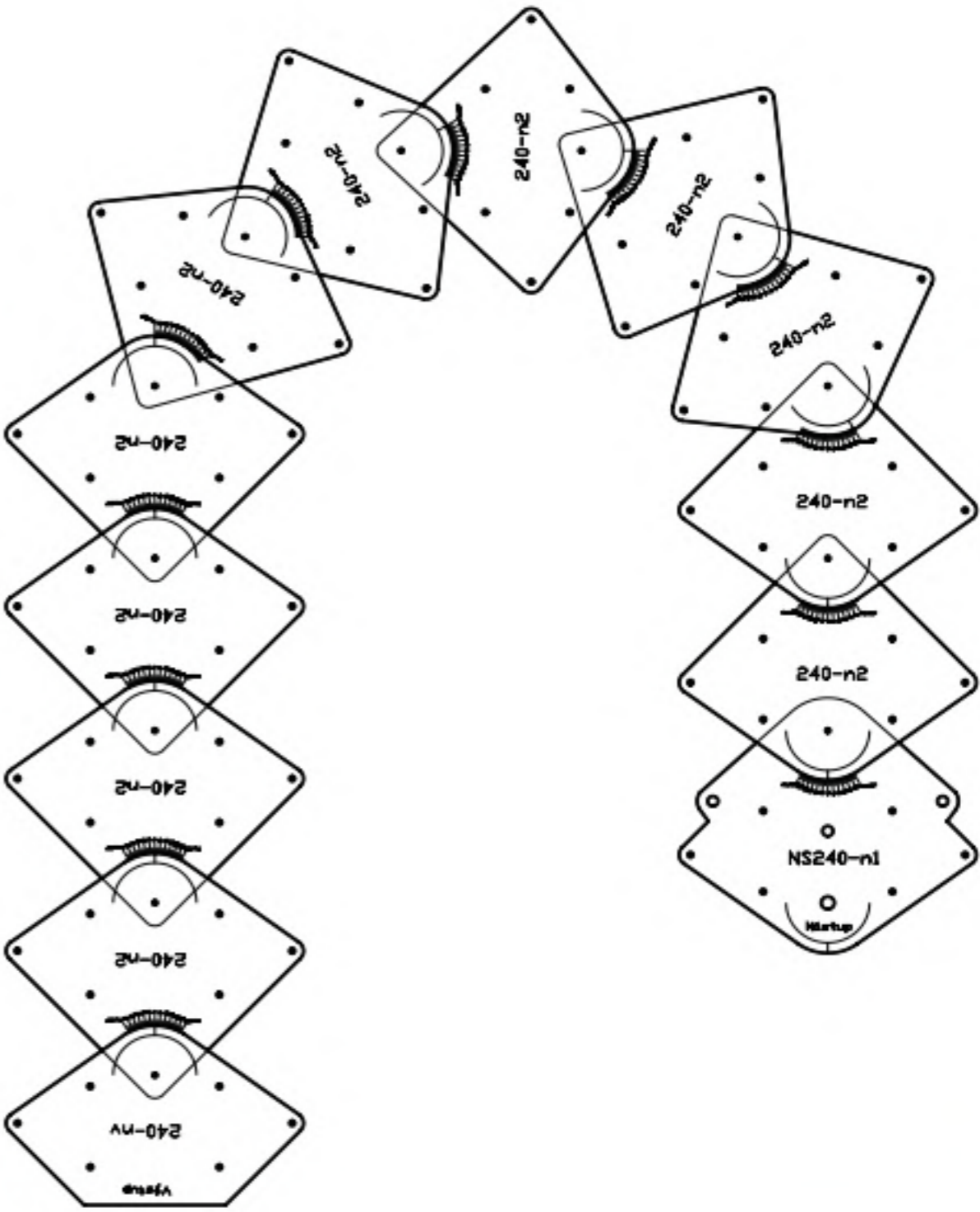
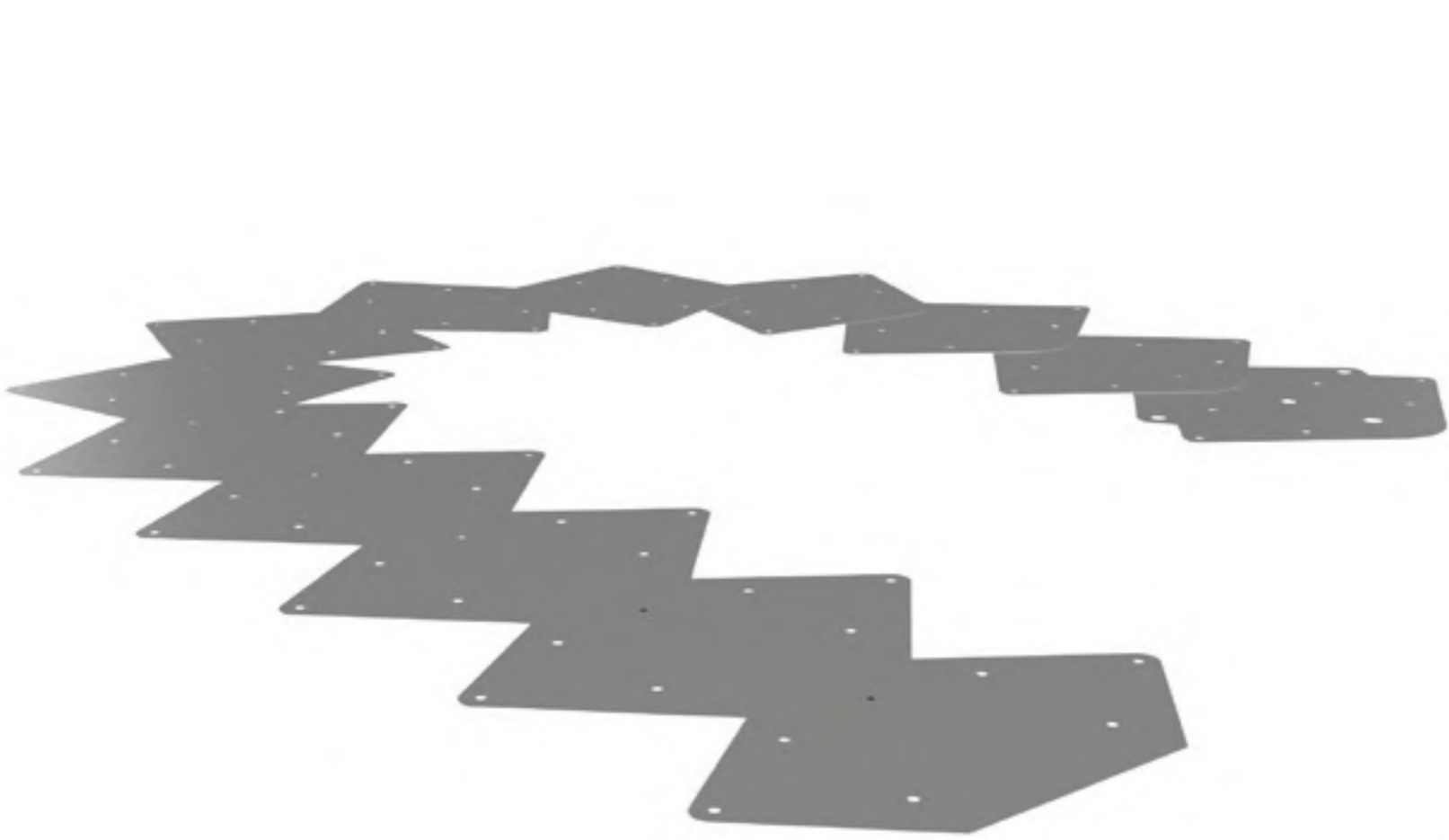
quality	finish	art.	HEIGHT (mm)		t (mm)	NS270		NS270		NS270		NS270		
			min-max	min-max		N1	N2				NV			
Fe	raw		170		40	1x								
			340		40	1x	1x							
			500-520	660-700	40	1x	1x					1x		
			660-700	820-880	40	1x	1x	1x				1x		
			820-880	980-1060	40	1x	1x	2x				1x		
			980-1060	1140-1240	40	1x	1x	3x				1x		
			1140-1240	1300-1420	40	1x	1x	4x				1x		
			1300-1420	1460-1600	40	1x	1x	5x				1x		
			1460-1600	1620-1780	40	1x	1x	6x				1x		
			1620-1780	1780-1960	40	1x	1x	7x				1x		
			1780-1960	1940-2140	40	1x	1x	8x				1x		
			1940-2140	2100-2320	40	1x	1x	9x				1x		
				NS270/V250-226	2100-2320	2260-2500	40	1x	1x	10x			1x	
				NS270/V268-242	2260-2500	2420-2680	40	1x	1x	11x			1x	
				NS270/V286-258	2420-2680	2580-2860	40	1x	1x	12x			1x	
		NS270/V304-274	2580-2860	2740-3040	40	1x	1x	13x			1x			
			2740-3040	2900-3220	40	1x	1x	14x			1x			

7

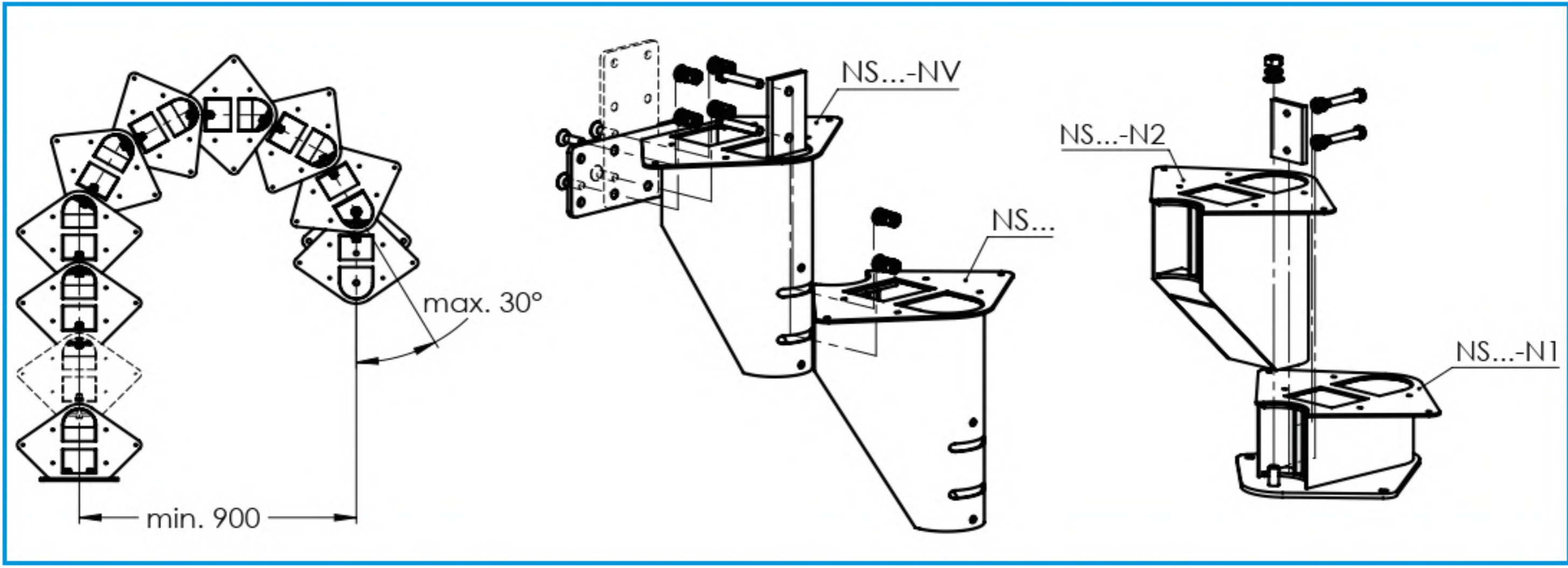
SEGMENT STAIRS



FOR MORE INFORMATION, SCAN QR CODE FOR OUR ASSEMBLY VIDEO OF NS STAIR SEGMENTS

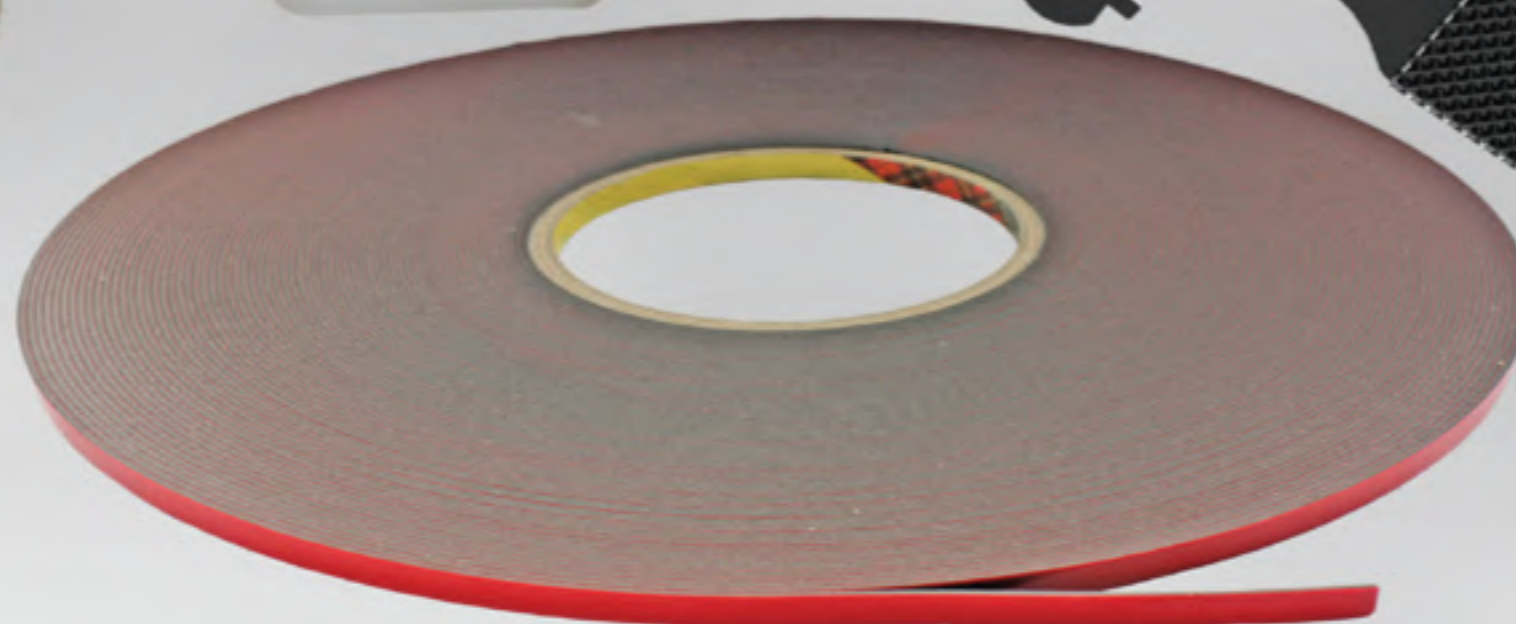


Quality	Finish	art.
steel	Zn	NS240-model NS270-sablona



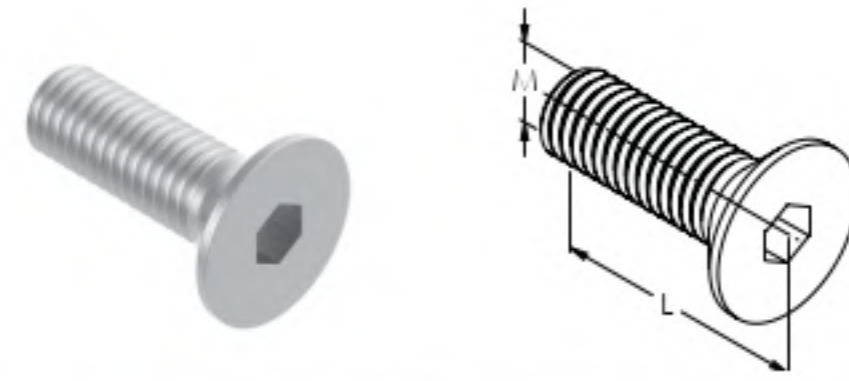
8

ACCESSORIES





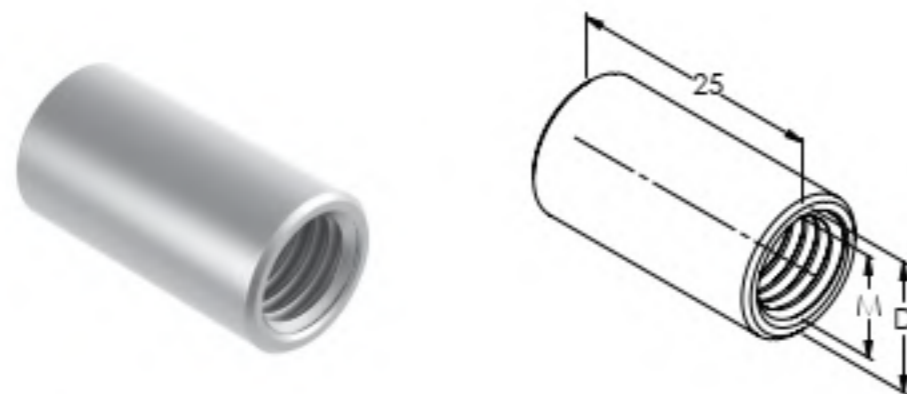
Quality	Finish	art.	M	L
AISI304	raw	A-DIN 914-A2 M5x5		5
		A-DIN 914-A2 M5x6	5	6
		A-DIN 914-A2 M5x8		8
		A-DIN 914-A2 M6x6	6	6
AISI316		A4-DIN 914 M5x5	5	5



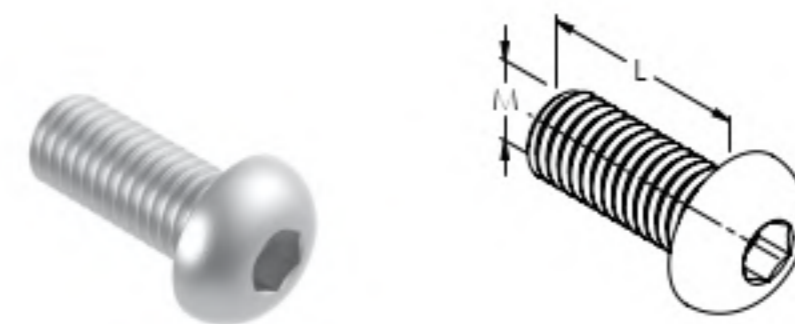
Quality	Finish	art.	M	L
steel 8.8	Zn	DIN 7991 M8x20-Zn	8	20
		DIN 7991 M12x30-Zn	12	30
AISI304	raw	A-DIN 7991-A2 M5x12		12
		A-DIN 7991-A2 M5x16	5	16
		A-DIN 7991-A2 M5x20		20
		A-DIN 7991-A2 M6x8		8
		A-DIN 7991-A2 M6x14		14
		A-DIN 7991-A2 M6x16	6	16
		A-DIN 7991-A2 M6x20		20
		A-DIN 7991-A2 M6x40		40
		A-DIN 7991-A2 M6x60		60
		A-DIN 7991-A2 M8x12		12
		A-DIN 7991-A2 M8x16		16
		A-DIN 7991-A2 M8x30		30
		A-DIN 7991-A2 M8x35	8	35
		A-DIN 7991-A2 M8x50		50
		A-DIN 7991-A2 M8x70		70
		A-DIN 7991-A2 M8x80		80
AISI316	raw	A4-DIN 7991 M5x16	5	16
		A4-DIN 7991 M6x14	6	14
		A4-DIN 7991 M6x40		40
		A4-DIN 7991 M8x20		20
		A4-DIN 7991 M8x30	8	30
		A4-DIN 7991 M8x70		70
		A4-DIN 7991 M8x100		100
		A4-DIN 7991 M10x20	10	20
		A4-DIN 7991 M12x30	12	30



Quality	Finish	art.
AISI304	raw	A-DIN 916-A2 M10x14
AISI316		A4-DIN 916 M10x14



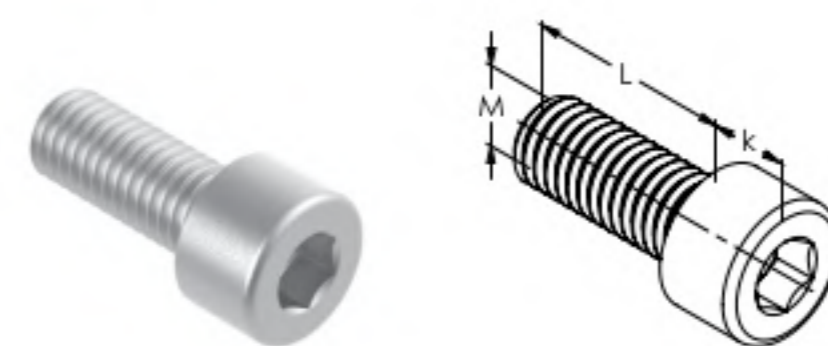
Quality	Finish	art.	M	D
AISI304	raw	A-DIN 6334V M8x25-A2	8	11
		A-DIN 6334V M10x25-A2	10	13



Quality	Finish	art.	M	L
steel 8.8	Zn	DIN 7380 M10x20 8.8-Zn	10	20
AISI304	raw	A-DIN 7380-A2 M5x12	5	12
		A-DIN 7380-A2 M6x12	6	12
		A-DIN 7380-A2 M8x10		10
		A-DIN 7380-A2 M8x12	8	12
		A-DIN 7380-A2 M8x20		20
		A-DIN 7380-A2 M10x20	10	20
AISI316	raw	A4-DIN 7380 M5x12	5	12
		A4-DIN 7380 M5x16		16
		A4-DIN 7380 M6x12	6	12
		A4-DIN 7380 M8x20	8	20
		A4-DIN 7380 M10x20	10	20

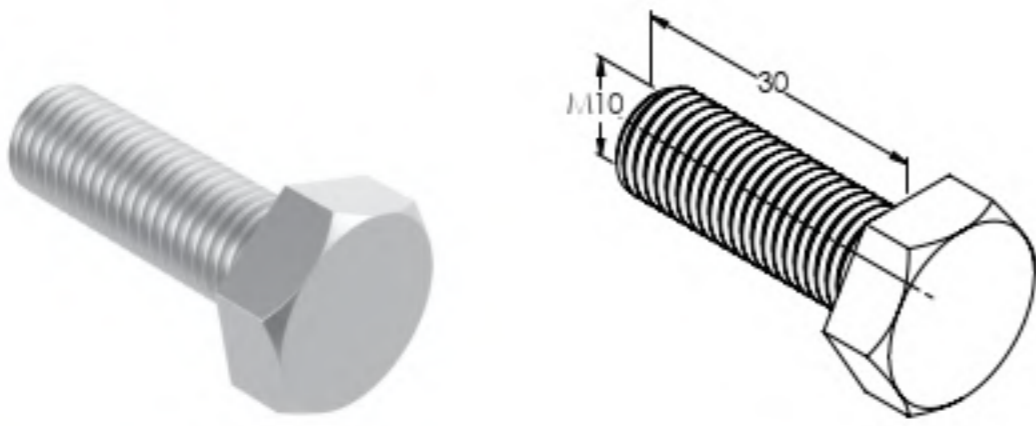


Quality	Finish	art.	M	L		
AISI304	raw	A-DIN 913-A2 M5x10	5	10		
		A-DIN 913-A2 M6x10		10		
		A-DIN 913-A2 M6x12	6	12		
		A-DIN 913-A2 M8x16		16		
		A-DIN 913-A2 M8x20		20		
		A-DIN 913-A2 M8x25		25		
		A-DIN 913-A2 M8x30	8	30		
		A-DIN 913-A2 M8x40		40		
		A-DIN 913-A2 M8x80		80		
		A-DIN 913-A2 M10x12		12		
		A-DIN 913-A2 M10x35	10	35		
		A-DIN 913-A2 M10x100		100		
		AISI316	raw	A4-DIN 913 M5x5	5	5
				A4-DIN 913 M5x10		10
A4-DIN 913 M6x10	6			10		
A4-DIN 913 M6x12				12		
A4-DIN 913 M10x12				12		
A4-DIN 913 M10x16	10			16		
A4-DIN 913 M10x55		55				



Quality	Finish	art.	M	L	k
AISI304	raw	A-DIN 912-A2 M5x20	5	20	5
		A-DIN 912-A2 M8x20	8	20	8
		A-DIN 912-A2 M10x45	10	45	10
		A-DIN 912-A2 M12x25	12	25	12
		A-DIN 912-A2 M12x35	12	35	12
AISI316		A4-DIN 7984 M8x12	8	12	5

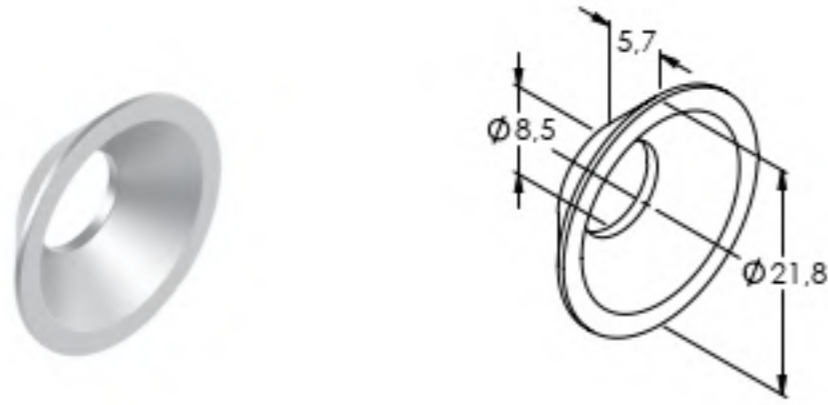
new
new
new



Quality	Finish	art.
steel 8.8	Zn	DIN 933 M10x30 8.8-Zn
AISI316	raw	A4-DIN 933 M10x30



Quality	Finish	art.	M	L
AISI304	raw	A-DIN 917 M8	8	10
		A-DIN 917 M10	10	12

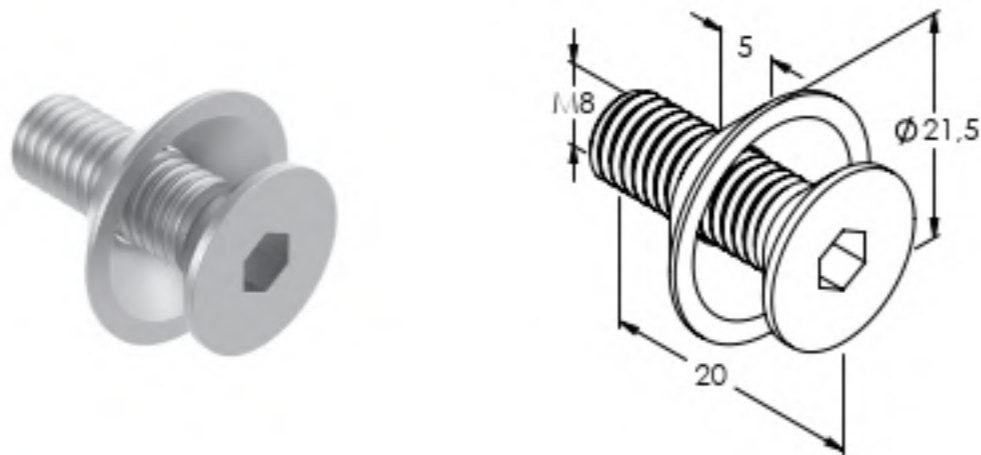


Quality	Finish	art.
AISI316	raw	A14/08-WASHER



Quality	Finish	art.	M	L
AISI304	raw	A-DIN 439B-A2 M8	8	4
		A-DIN 934 M8	8	6,5
		A-DIN 934 M10	10	8
		A-DIN 934 M12	12	10
		A-DIN 934 M16	16	13
AISI316	raw	A4-DIN 439B M8	8	4
		A4-DIN 934 M10	10	8

new



Quality	Finish	art.
steel 8.8	Zn	W-DIN 7991 M8x20-P
AISI316	raw	W-DIN 7991-A4 M8x20-P



Quality	Finish	art.	M	s	t
AISI304	raw	A-DIN 562 M6	6	10	3,2
		A-DIN 562 M8	8	13	4
		A-DIN 562 M10	10	17	5

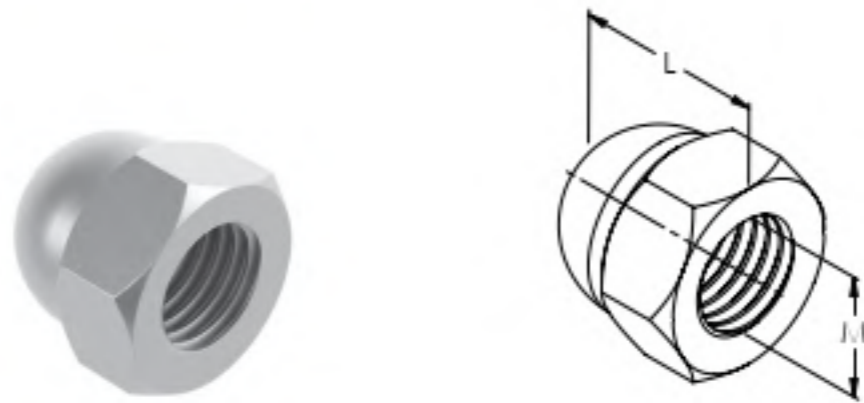


Quality	Finish	art.	D	d	t
steel	Zn	DIN 125 10-Zn	20	10	2
		DIN 9021 10-Zn	30	10	2,5
		WIT-SHB M8-Zn	23	9	5
		WIT-SHB M10-Zn	26	12	5
		WIT-SHB M12-Zn	28	14	5
AISI304	raw	A-DIN 125-A2 M5	10	5	1
		A-DIN 9021-A2 M8	30	8	2,5
		A-DIN 125-A2 M8	16	8	1,6
		A-DIN 125-A2 M10	20	10	2
		A-DIN 9021-A2 M10	30	10	2,5
		A-DIN 125-A2 M12	24	12	2,5
		A-DIN 433-A2 M12	20	12	2
		A4-DIN 9021 M8	24	8,4	2
		A4-DIN 9021 M16	50	17	2,5
		A4-WIT-SHB M8	23	9	5
A4-WIT-SHB M10	26	12	5		
A4-WIT-SHB M12	28	14	5		

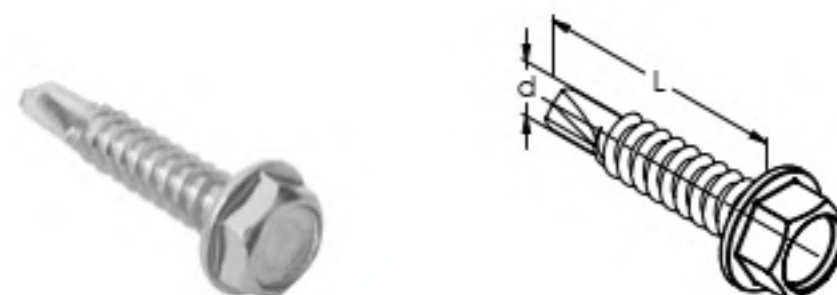
new

new

new

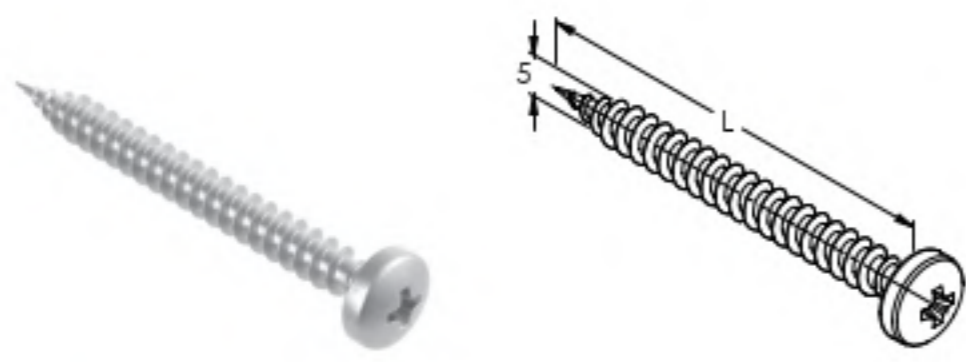


Quality	Finish	art.	M	L
AISI304	raw	A-DIN 1587-A2 M6	6	12
		A-DIN 1587-A2 M8	8	15
		A-DIN 1587-A2 M10	10	18
		A-DIN 1587-A2 M12	12	22
AISI316	raw	A4-DIN 1587 M10	10	18

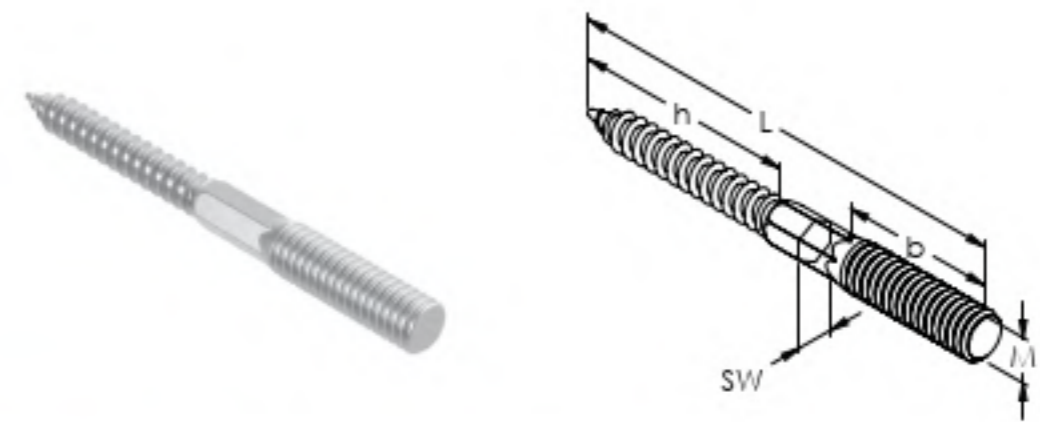


Quality	Finish	art.	d	L
AISI304	raw	A-DIN 7504K 5,5x25	5,5	25

new



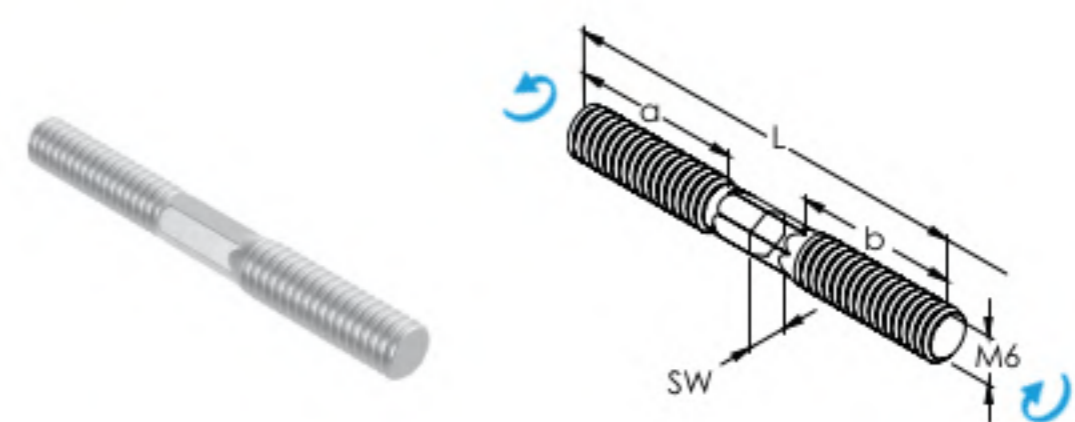
Quality	Finish	art.9	L
AISI304	raw	A-PH 5x20	20
		A-PH 5x35	35



Quality	Finish	art.	M	L	b	h	SW
AISI304	raw	A-DIN 9210 M6x60-A2	6	60	20	37	-
		A-DIN 9210 M8x60-A2	8	100	42	48	✓
		A-DIN 9210 M8x100-A2	10	100	30	57	✓
AISI316	raw	A4-DIN 9210 M6x100	6	100			✓
		A4-DIN 9210 M8x60	8	60	20	37	-
		A4-DIN 9210 M8x100	8	100	42	48	✓



Quality	Finish	art.	L
AISI304	raw	A-DIN 7505A 5x20	20
		A-DIN 7505A 5x35	35

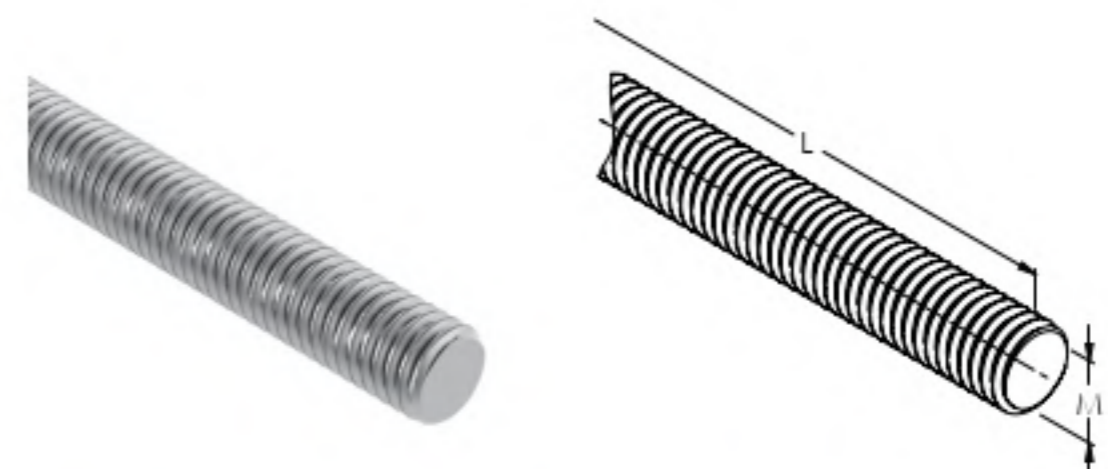


Quality	Finish	art.	M	L	a	b	SW
AISI316	raw	A4-DUAL M6/M6	6	65	30	30	✓
		A4-DUAL M10/M10	10				✓

new



Quality	Finish	art.
AISI304	raw	A-DIN 7337-A2 4,8x20



Quality	Finish	art.	M	L	ETA opt.1
steel 8.8	Zn	Q5/08-VM250-M10-...	10		✓
		Q5/08-VM250-M12-...	12		✓
AISI304	raw	A-DIN 975 M6	6		-
		A-DIN 975 M8	8		-
		A-DIN 975 M10	10	1000	-
		A-DIN 975 M12	12		-
		A-DIN 975 M16	16		-
AISI316	raw	A4-DIN 975 M10	10		-
		A5/08-VM250-M10-...-A4	10		✓
AISI304	raw	A5/08-VM250-M12-...-A4	12		✓
		A-DIN 975 M8-100		100	-
		A-DIN 975 M8-120	8	120	-
		A-DIN 975 M8-150		150	-
		A-DIN 975 M8-200		200	-
		A-DIN 975 M10-100		100	-
		A-DIN 975 M10-120	10	120	-
		A-DIN 975 M10-150		150	-
		A-DIN 975 M10-200		200	-
		A-DIN 975 M12-100		100	-
A-DIN 975 M12-120	12	120	-		
A-DIN 975 M12-150		150	-		
A-DIN 975 M12-200		200	-		

new

new

new

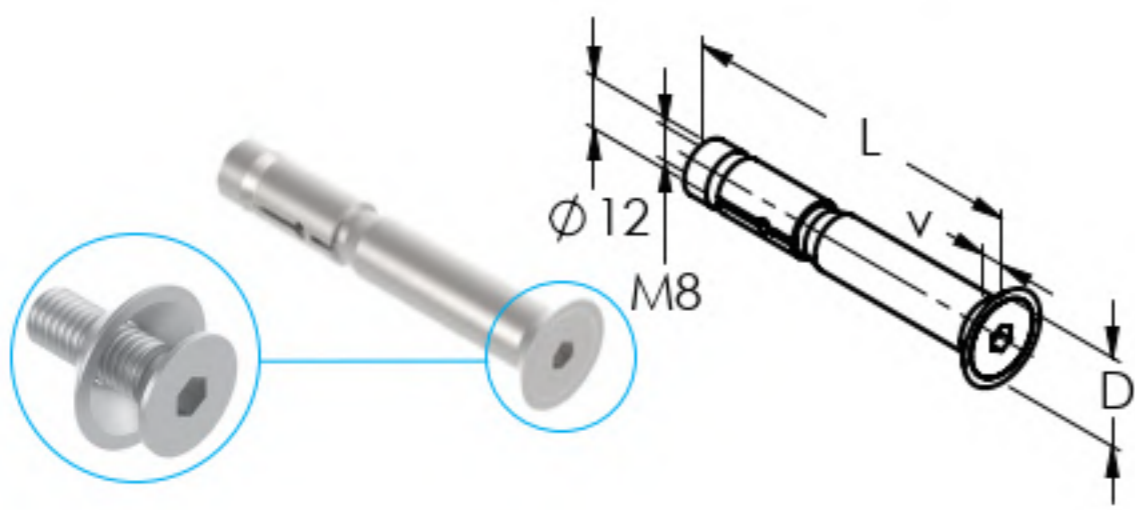
new



Quality	Finish	art.	M	L
AISI304	raw	A-FTT-M5	5	12
		A-FTT-M6	6	14
		A-FTT-M8	8	16,5
		A-FTT-M10	10	19

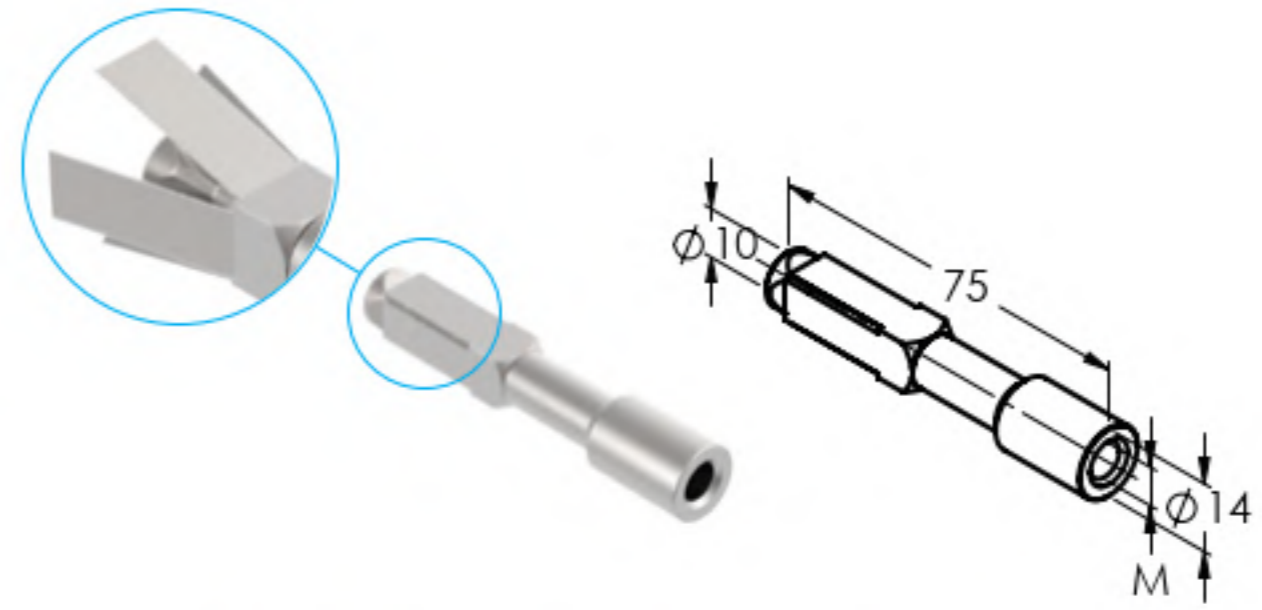


Quality	Finish	art.	M
steel	Zn	WOOD/M8-D	8
		WOOD/M10-D	10

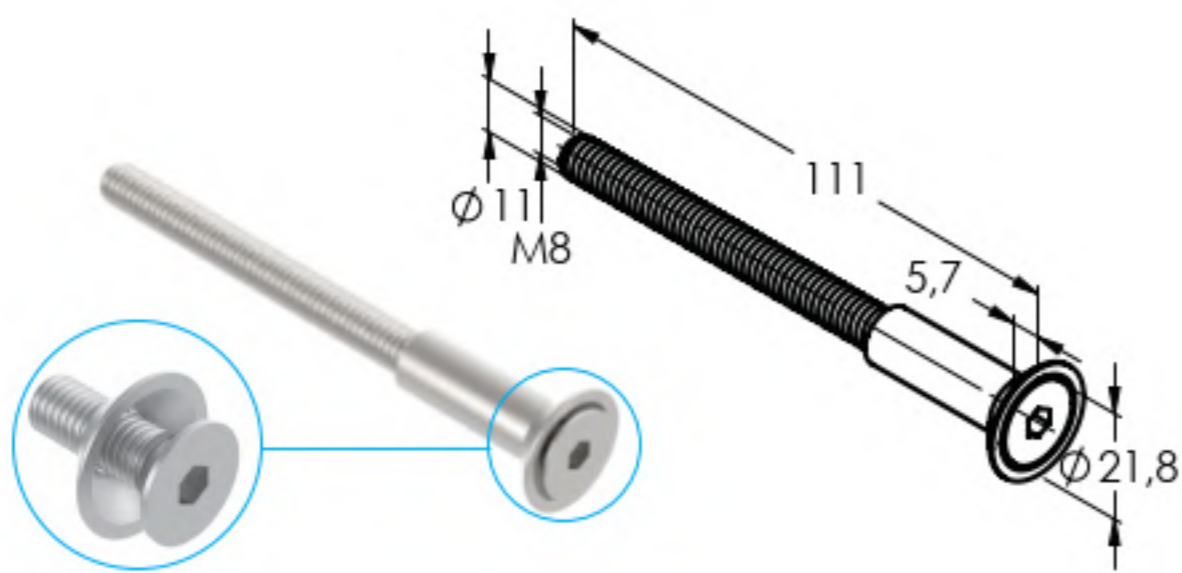


Quality	Finish	art.	L	D/v
steel	Zn	Q5/08-HAZ-M8-80SK/S	80	20,5/5
		Q5/08-FH12-50	125	22/5,8
		Q5/08-12-125		
AISI316	raw	A5/08-HAZ-M8-80SK/A4	80	20,5/5
		A5/08-12-125	125	22/5,8

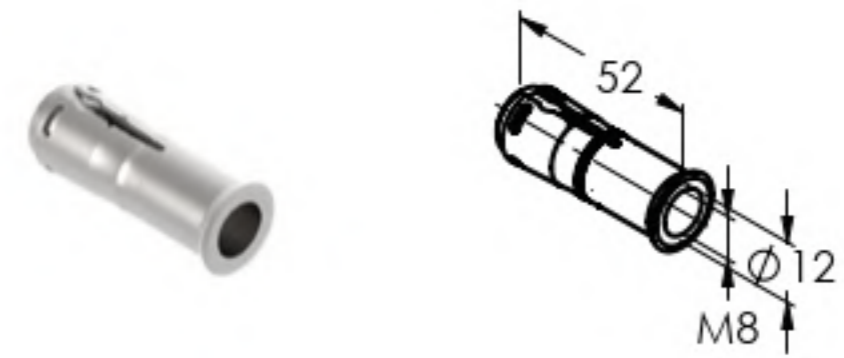
top
new
new



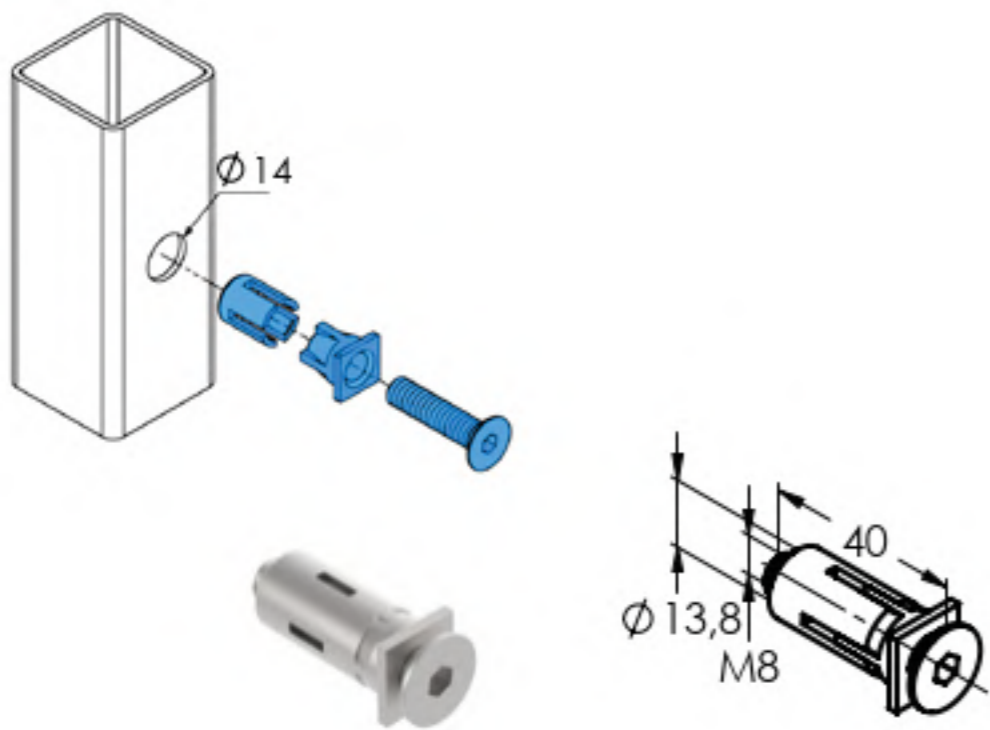
Quality	Finish	art.	M
steel	raw	Q11/FPX-M8	8
		Q11/FPX-M10	10



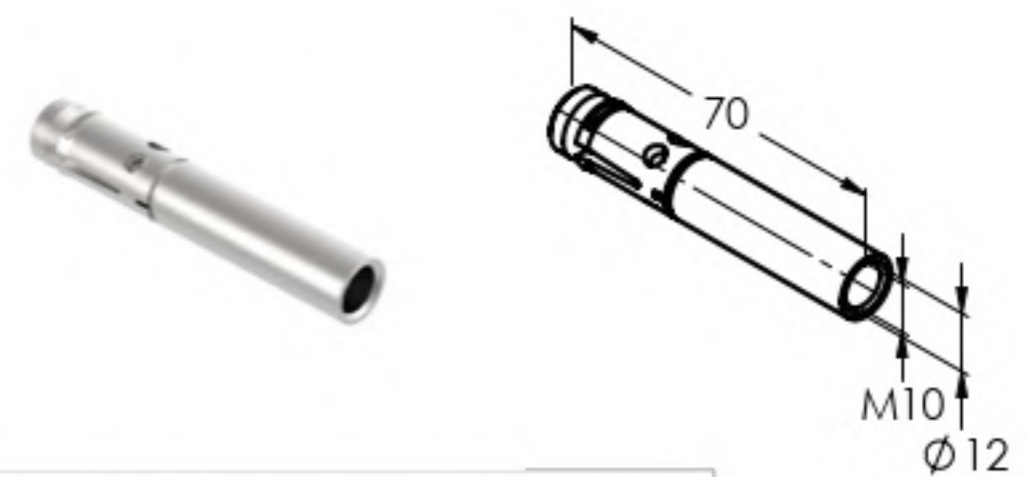
Quality	Finish	art.
AISI304	raw	A5/08-105x11xM8
AISI316		A14/08-105x11xM8



Quality	Finish	art.
steel	Zn	Q5/08-TNTR08-8x52



Quality	Finish	art.
steel	Zn	Q5/09-Quick-Fix QF5

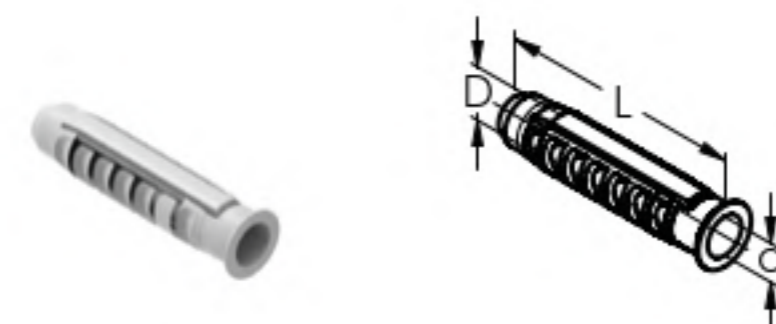


Quality	Finish	art.
steel	Zn	Q5/08-FAZ-IG-M10-70/S
AISI316	raw	A5/08-FAZ-IG-M10-70/A4

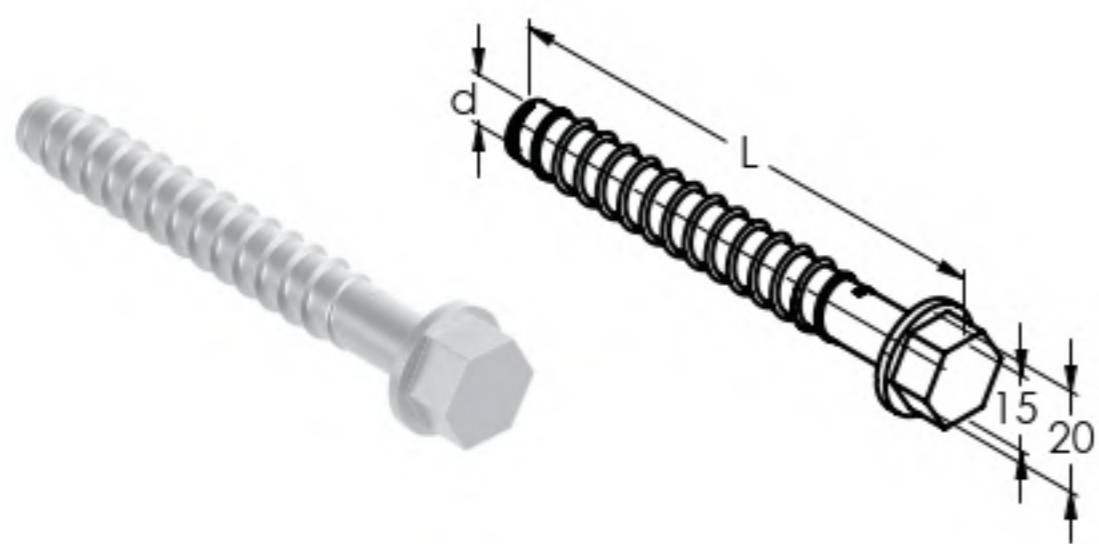


A19/04-PVC A19/04-PVC-L A19/04-PVC-BLACK

Quality	Finish	art.
PVC	raw	A19/04-PVC
	polish	A19/04-PVC-L
	black	A19/04-PVC-BLACK

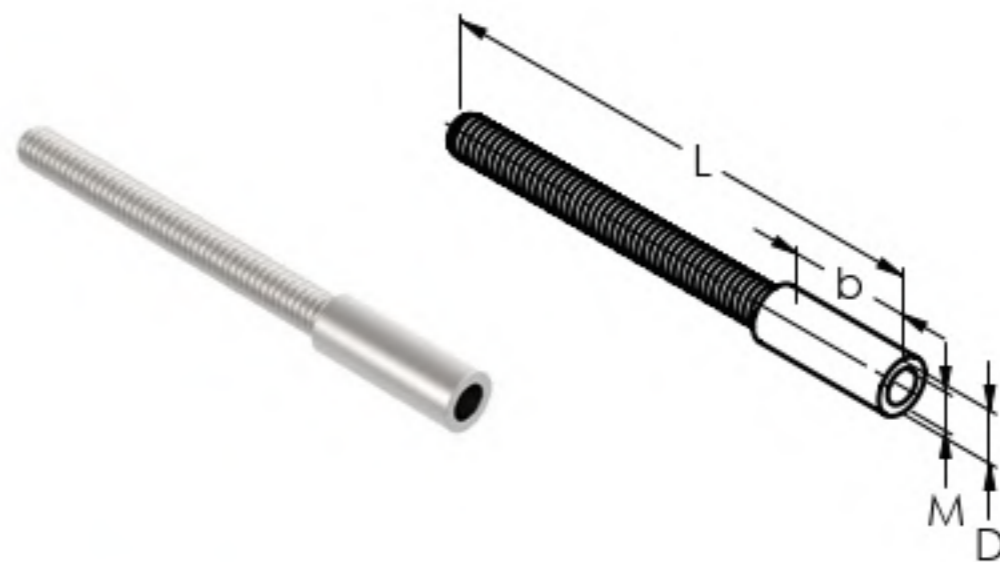


Quality	Finish	art.	D	d	L
NYLON	gray	Q5/07-8 NYLON	8	2,5-4	40
		Q5/07-10 NYLON	10	3-6	50
		Q5/07-12 NYLON	12	4-8	60

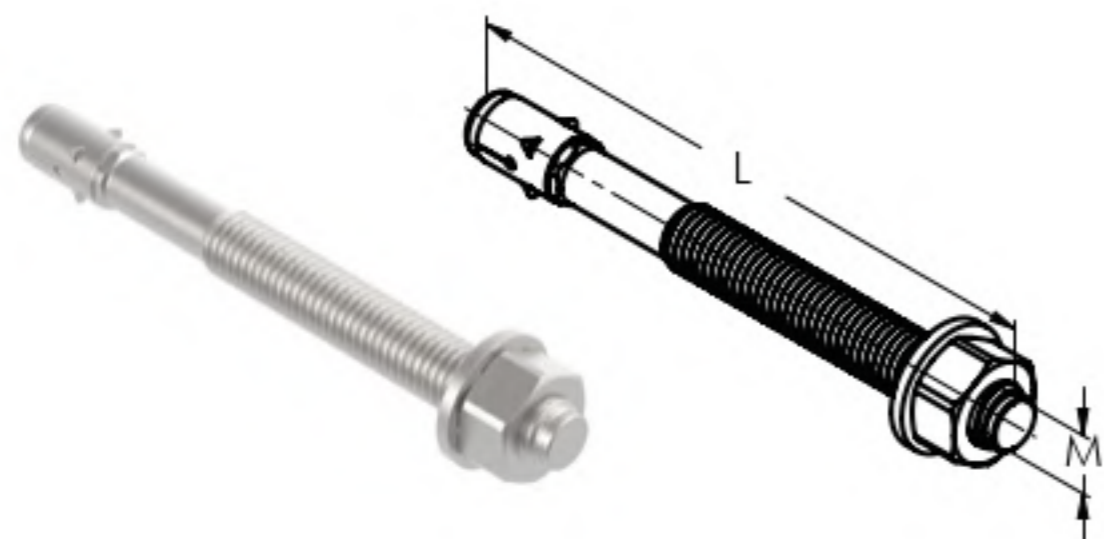


Quality	Finish	art.	d	L
steel 5.8	Zn	Q5/08-BS-S-10-90/S	10	90
AISI316	raw	A5/08-BS-S-10-90/A4		
steel 5.8	Zn	Q5/08-BS-S-12-110/S	12	110
AISI316	raw	Q5/08-BS-S-12-110/A4		

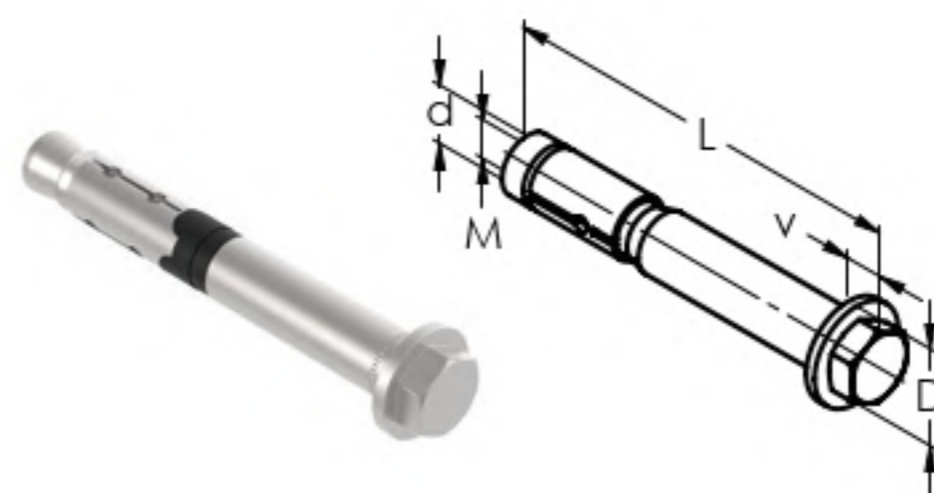
new



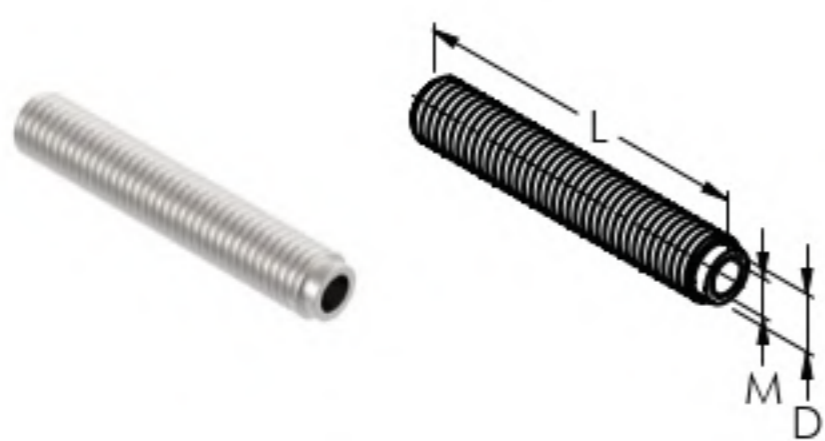
Quality	Finish	art.	M	L	D	b
AISI304	raw	A19/27-M8	8	140	11	15
		A19/27-M10	10		13	
		A19/27-M12	12	130	15	25



Quality	Finish	art.	M	L
steel	Zn	Q5/06-8x100CE	8	92
	Zn	Q5/06-10x120CE	10	120
	raw	Q5/08-FBN12-30	12	126
	Zn	Q5/06-16x123CE	16	123
	Zn	Q5/06-16x138CE	16	138
AISI304	raw	A-Q5/06-10x120CE	10	120



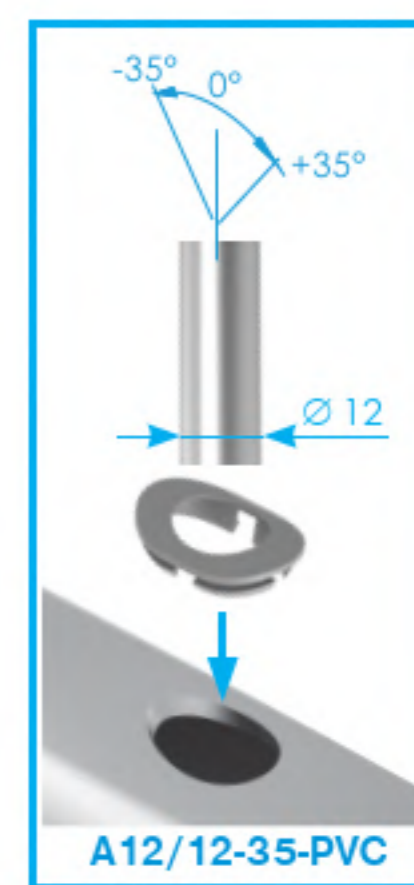
Quality	Finish	art.	M	L	d	D/v
steel	Zn	Q5/08-HAZ-M8-85S/S	8	85	12	20/7,5
	raw	Q5/08-FH15/25 S	10	89	15	25/9,5
	Zn	Q5/08-HAZ-M10-106S/S	10	106		
AISI316	raw	A5/08-HAZ-M8-85S/A4	8	85	12	20/7,5
		A5/08-HAZ-M10-106S/A4	10	106	15	25/9,5

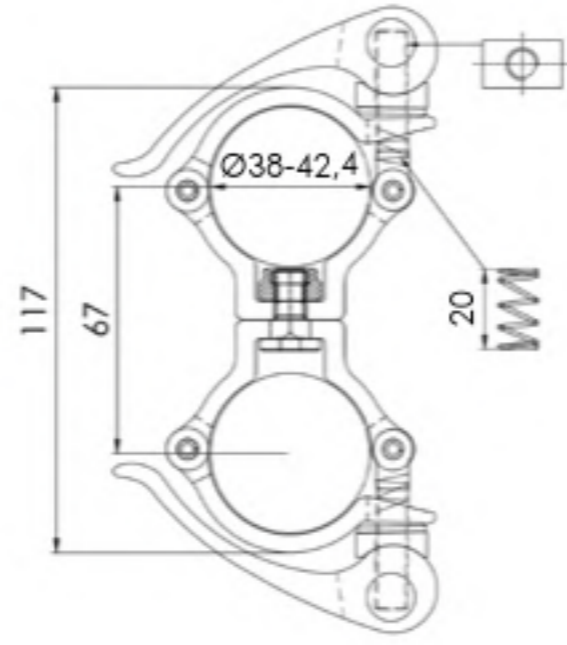


Quality	Finish	art.	M	L	D
steel 5.8	Zn	Q5/08-VI-G-M8-100/S	8	100	12
		Q5/08-VI-G-M10-80/S	10	80	16
		Q5/08-VI-G-M12-125/S	12	125	20
AISI316	raw	A5/08-VI-G-M8-100/A4	8	100	12
		A5/08-VI-G-M10-80/A4	10	80	16
		A5/08-VI-G-M12-125/A4	12	125	20

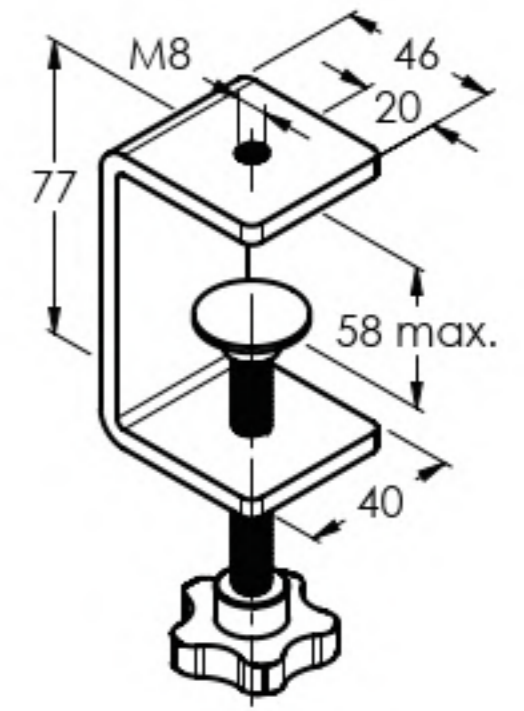


Quality	Finish	art.
PVC	raw	A12/12-PVC
		A12/12-35-PVC

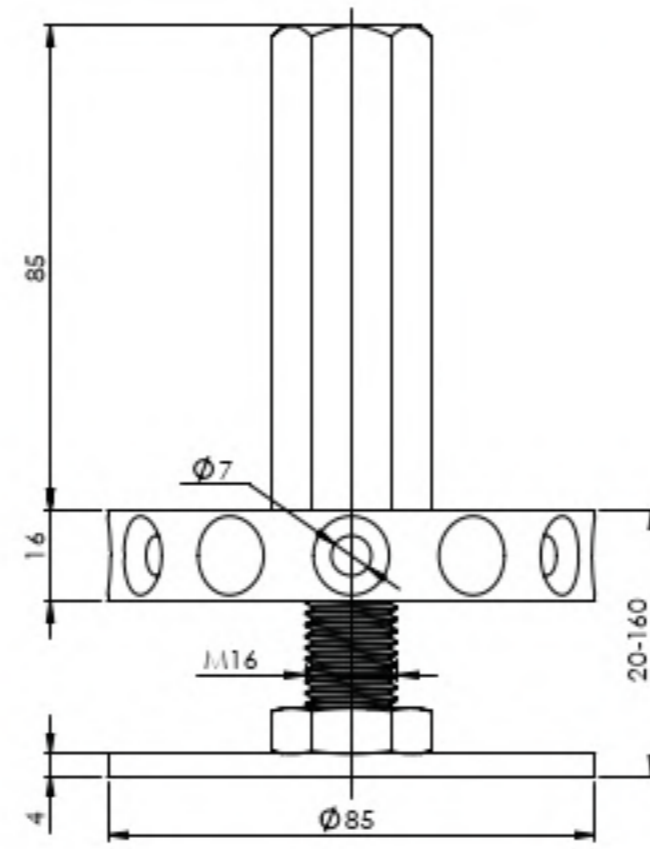




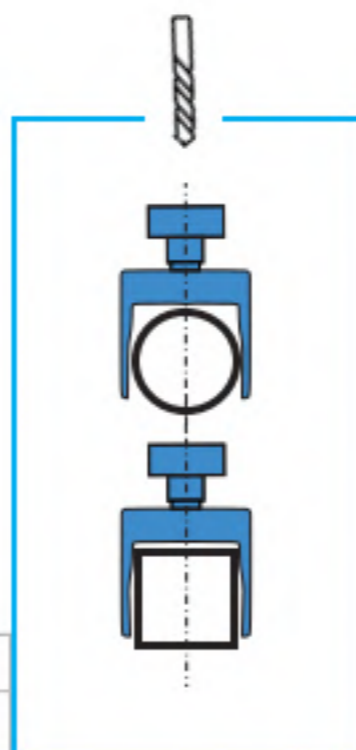
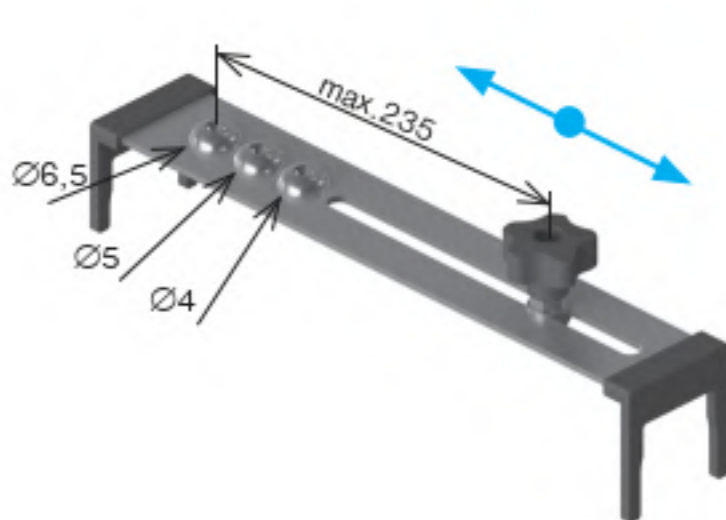
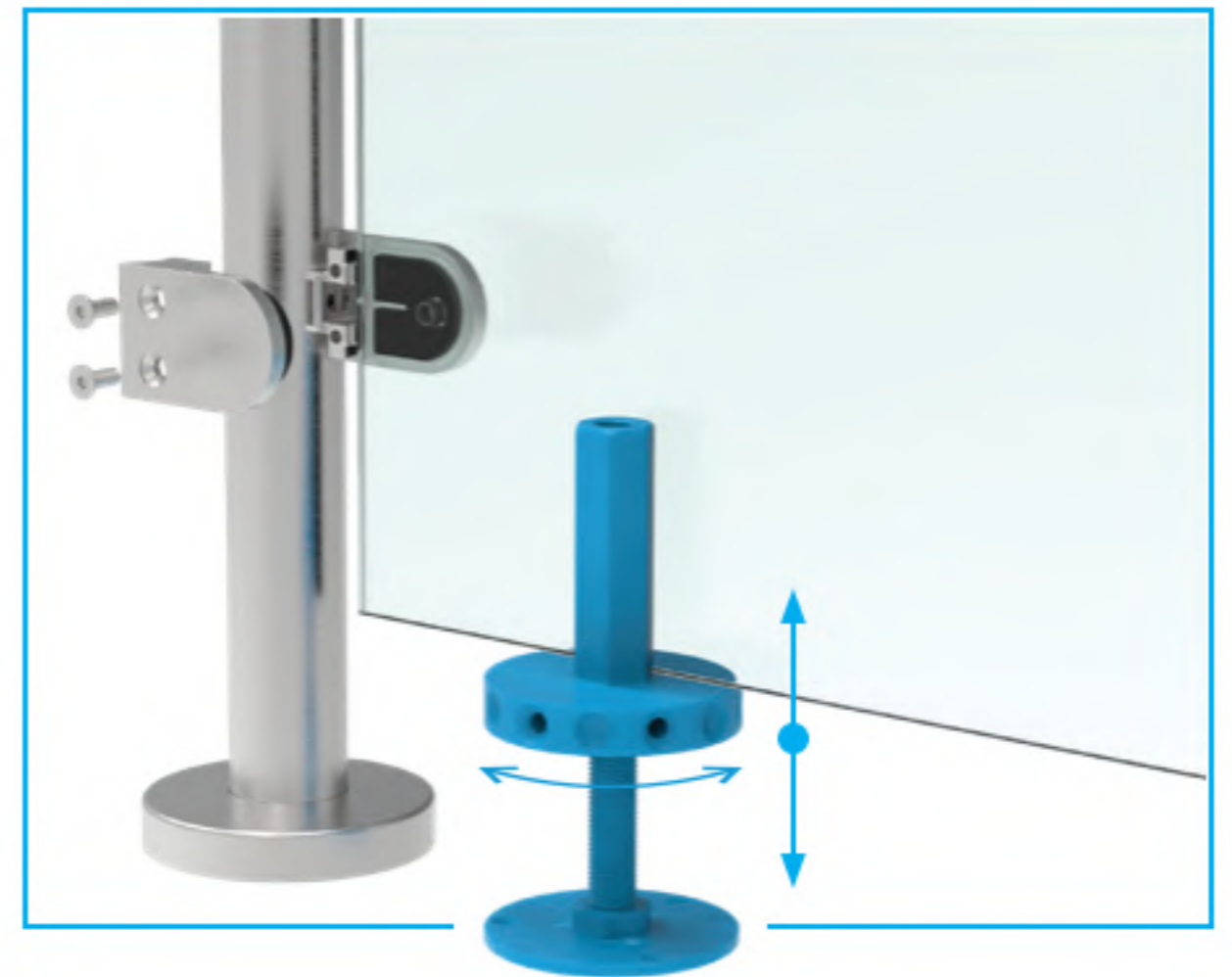
Quality	Finish	art.
ALUMINIUM	satın	AL/0792-3842



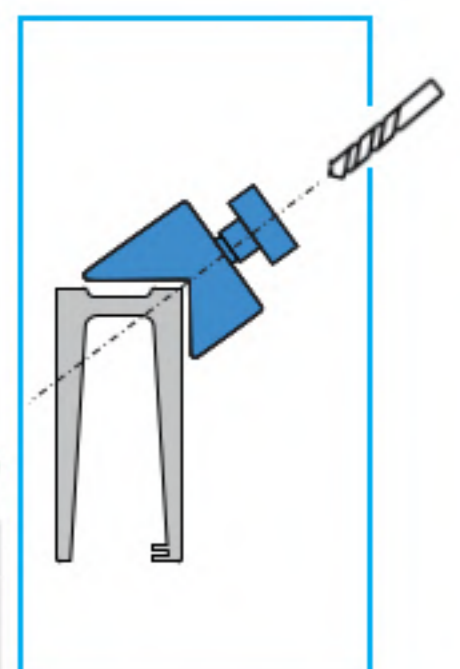
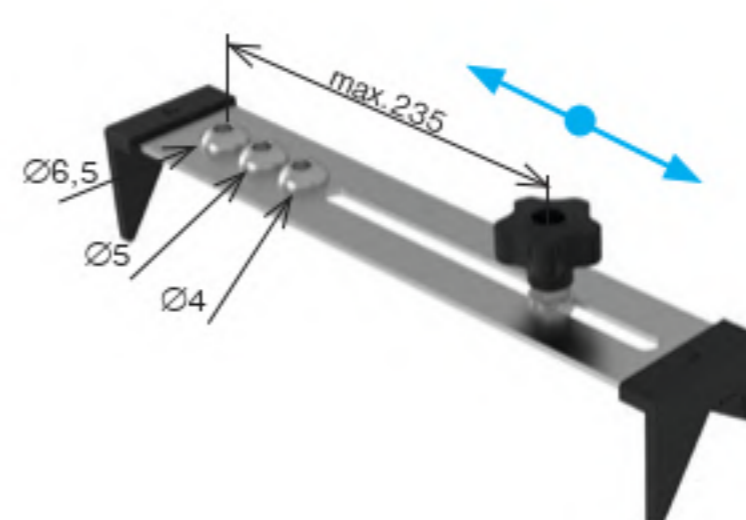
Quality	Finish	art.
AISI304	satın	A6/2xM8-77x40



Quality	Finish	art.	description
Fe	Zinc	MP/GLASS-01	glass mount on post railings



Quality	art.	Ø	∇
AISI304	A/40580-PLASTIC	42,4	40

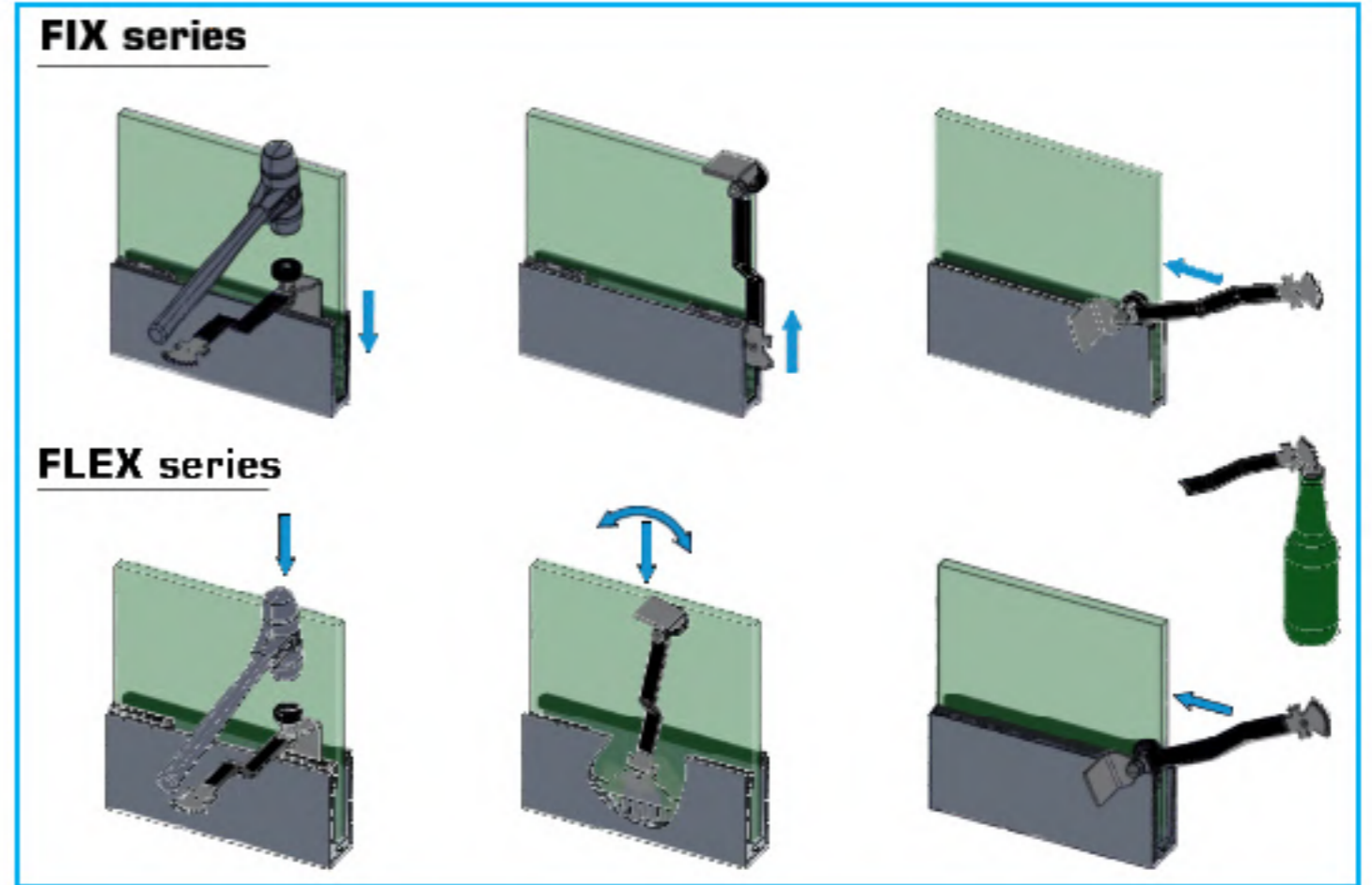


Quality	art.	compatibility
AISI304	A/40580-PLASTIC-V2	AL/0004... AL/0004-eco... AL/0004-PRO...



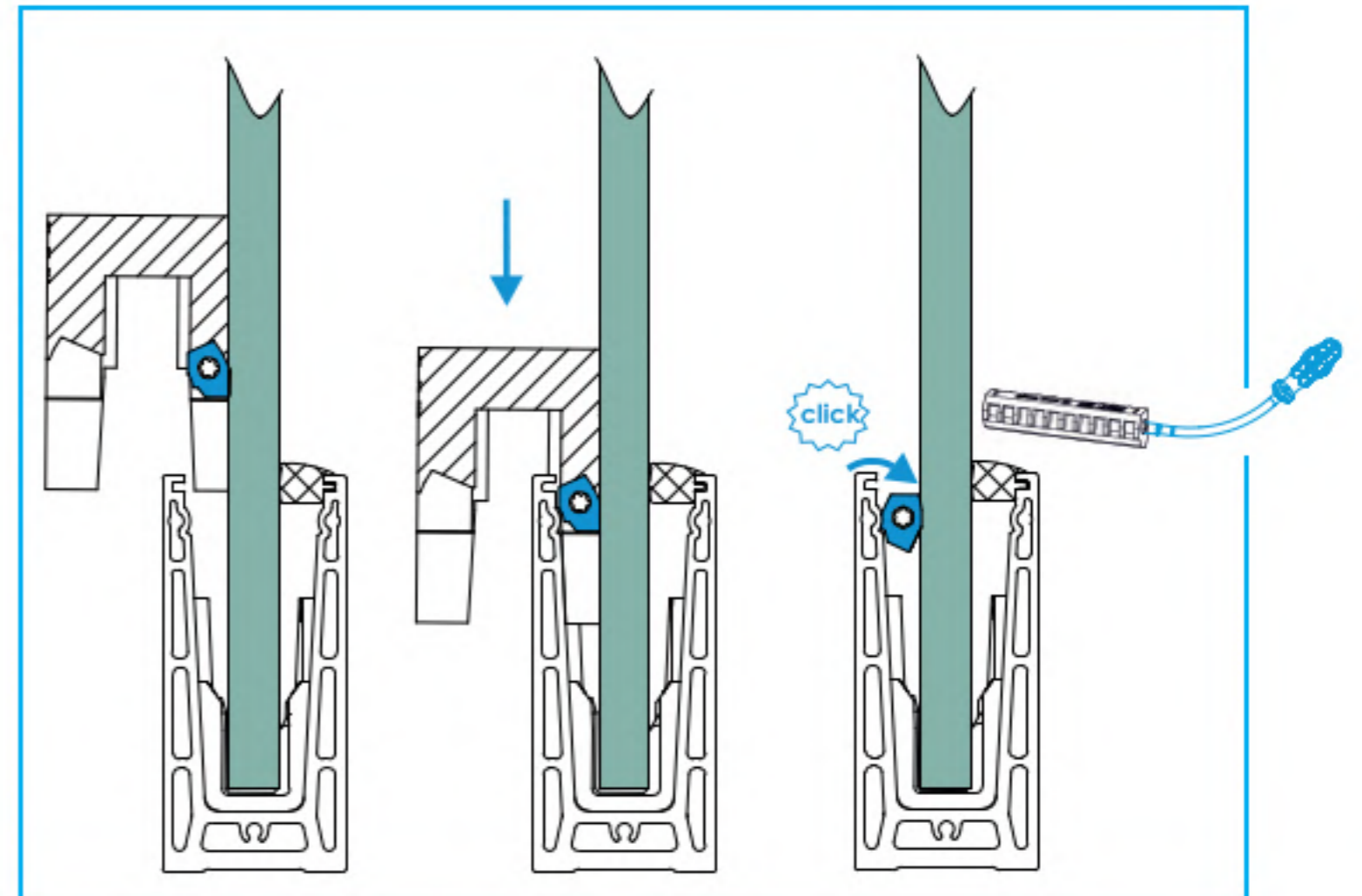
art.
AL/glass-mont-PRO

new



Quality	Finish	art.
PETG	gray	MP/excenter-mount

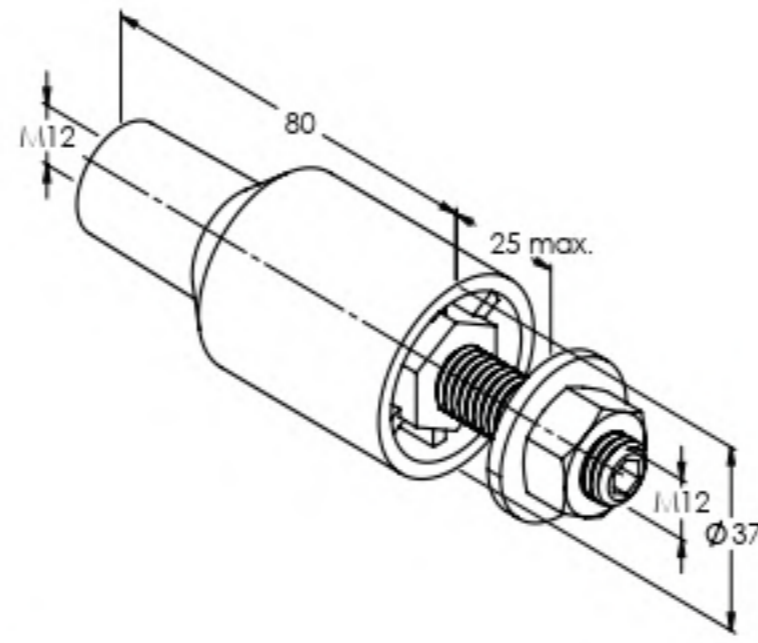
new



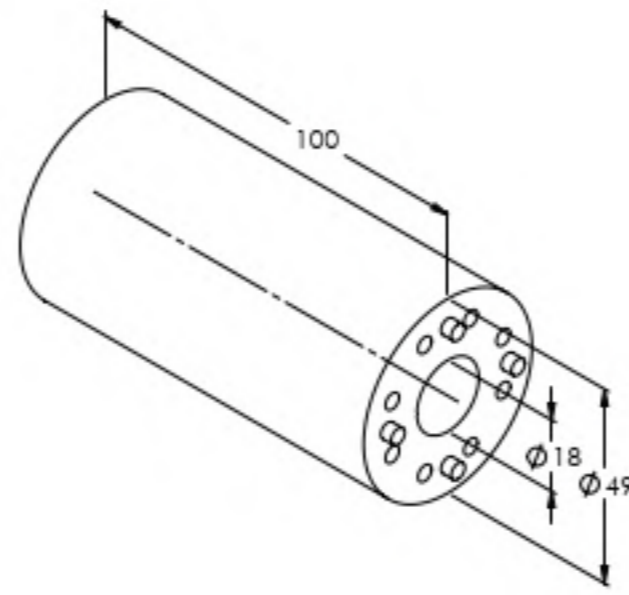
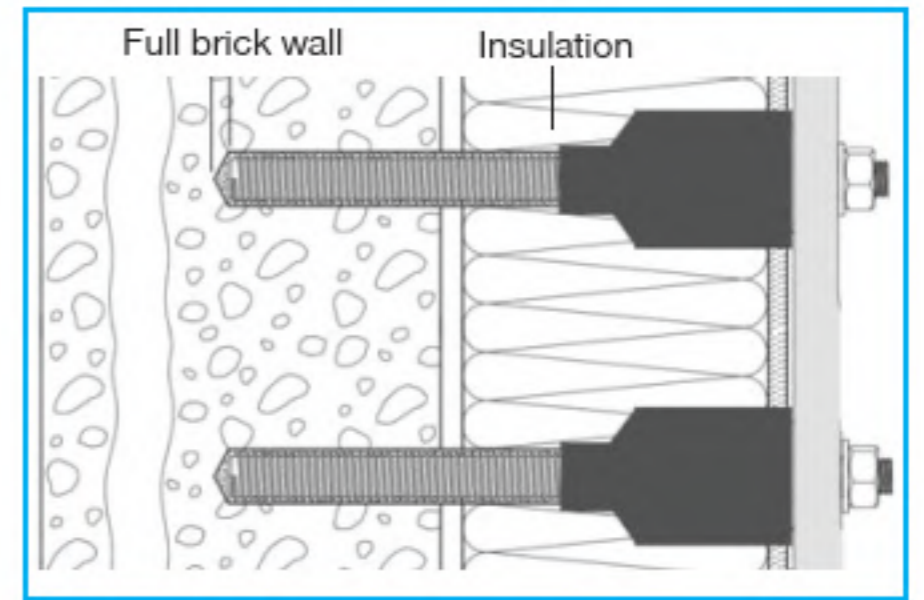
art.	glass t
AL/GLASS-HOLDER	1-70mm



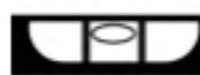
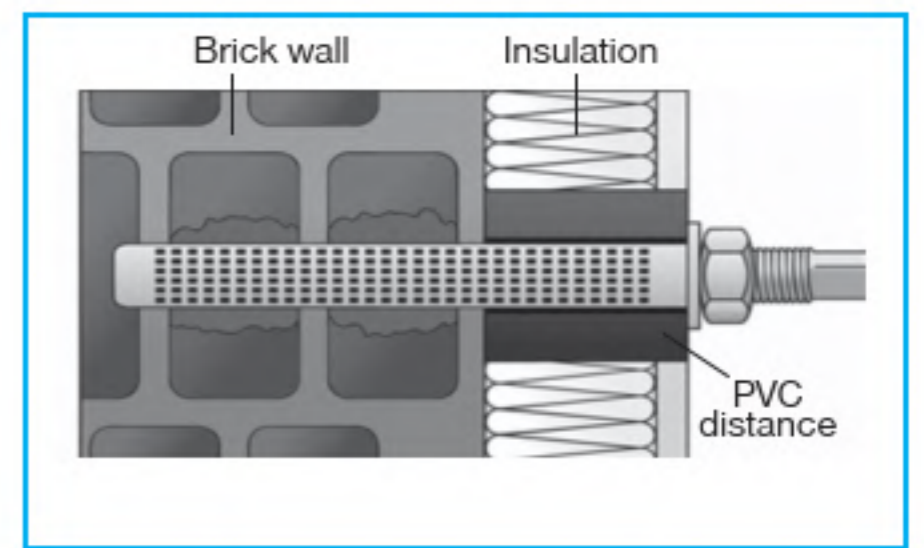
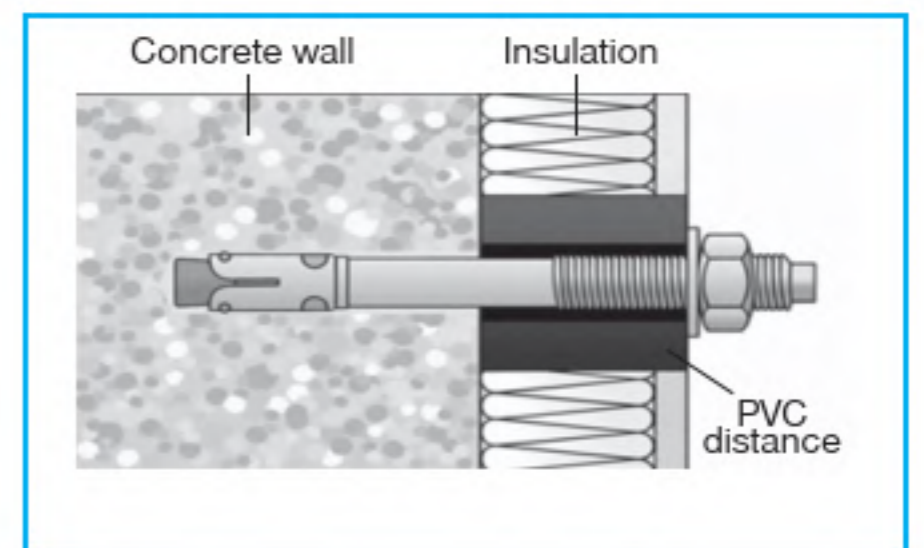
art.	total length	ext. square
Q8/70-275-PRO	275mm	1/4"



Quality	Finish	art.	M
AISI304	raw	Q10/Therm-M12/M12	12-12
		Q10/Therm-mini-M10/M8	10-8

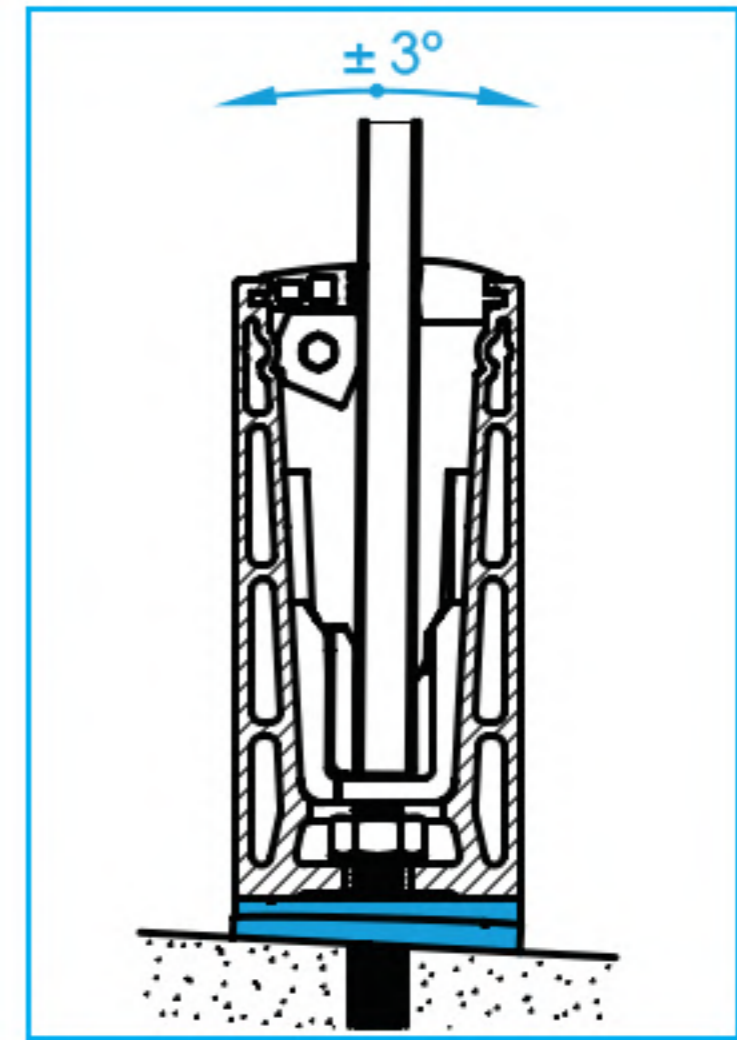
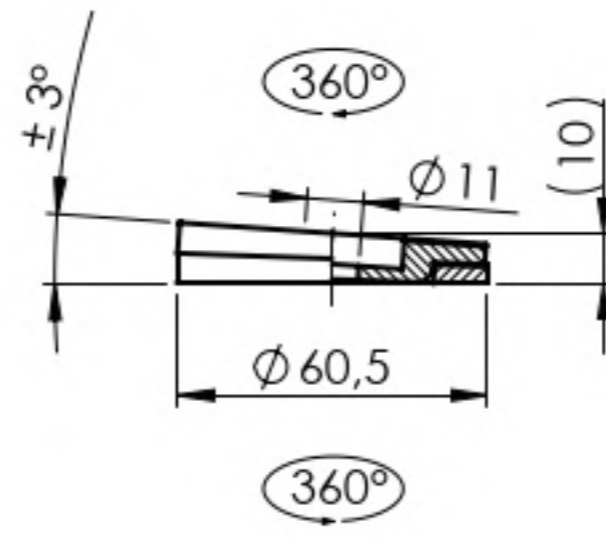


Quality	Finish	art.
PVC	black	A19/05-100



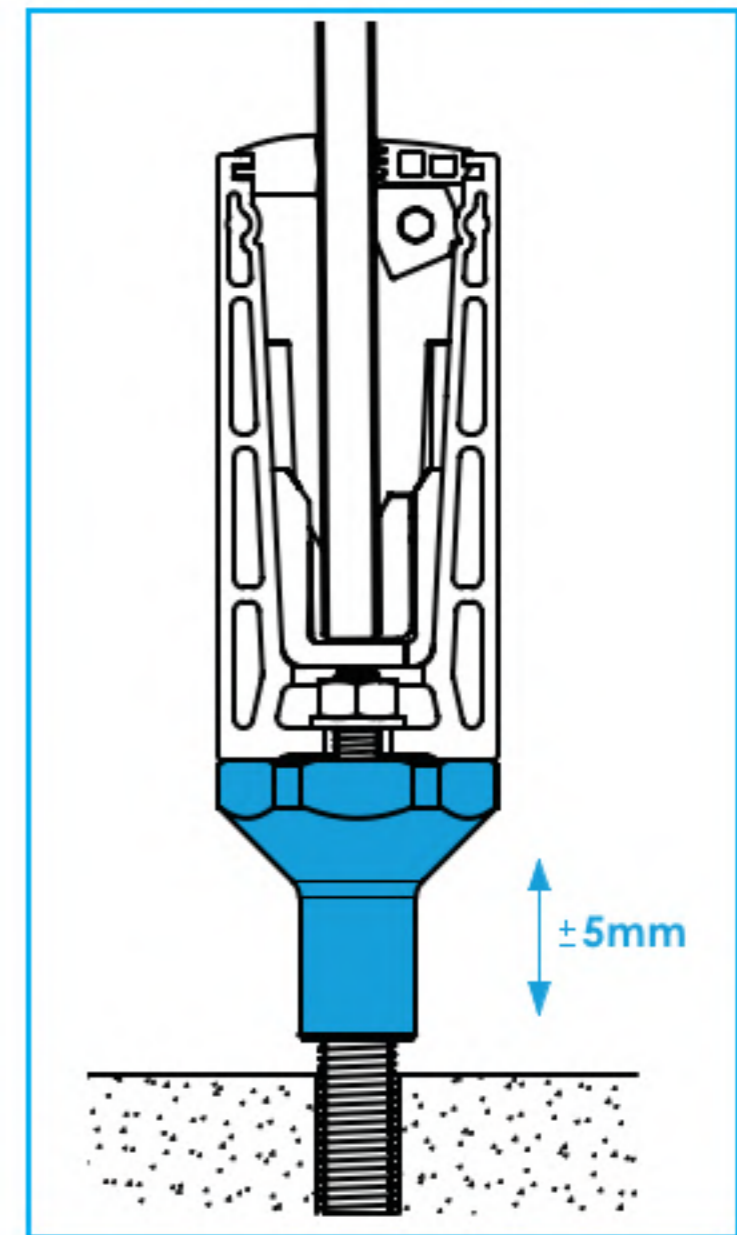
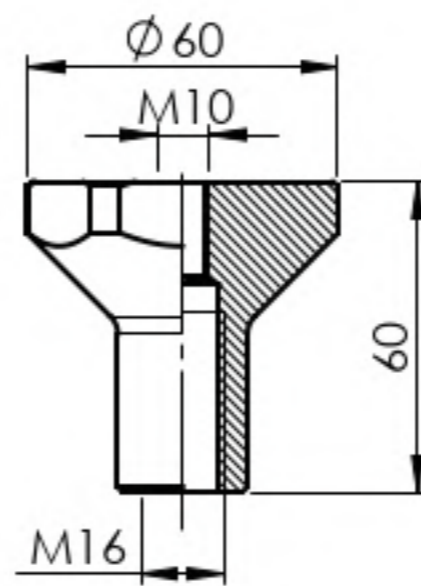
Quality	Finish	art.
PVC	black	MP/water-level

new



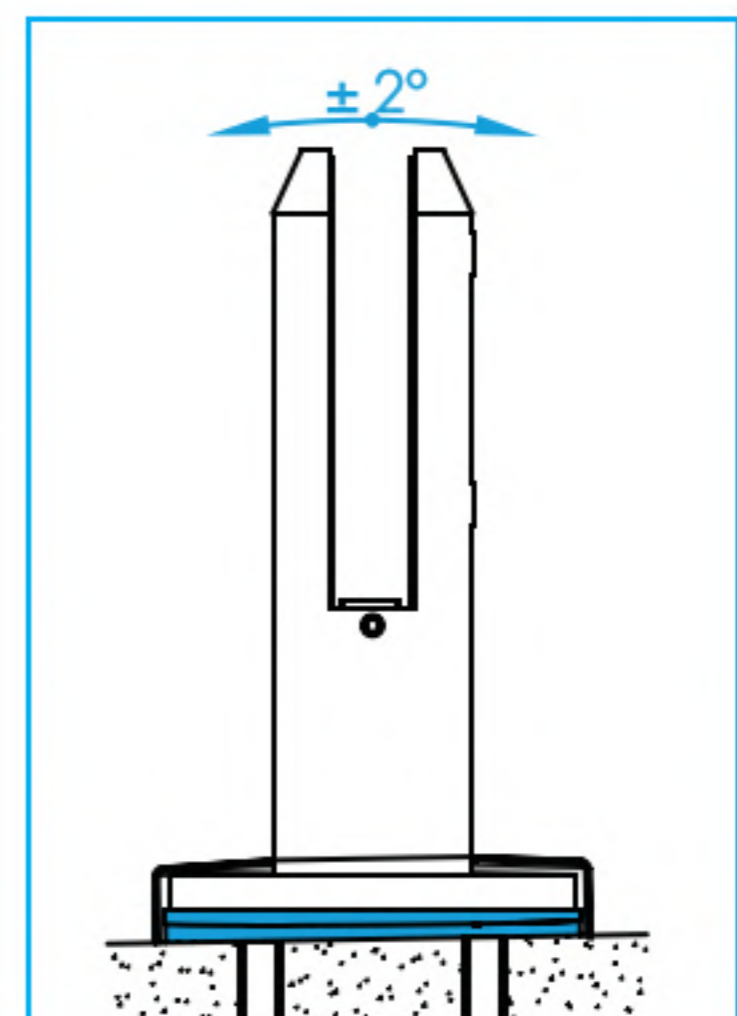
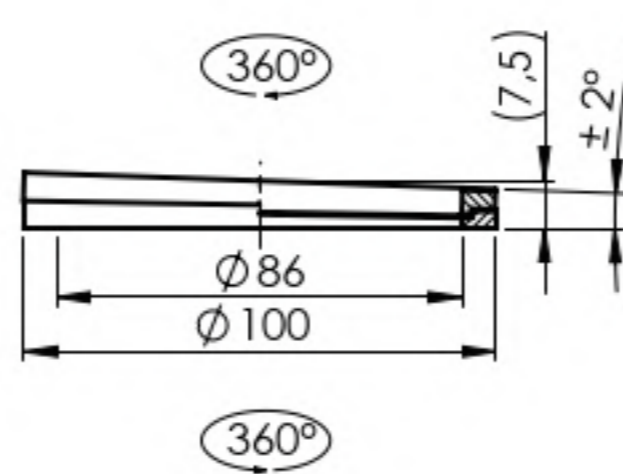
Quality	Finish	art.
AISI304	natural	Q10/ANGLE-0-3-60

new



Quality	Finish	art.
AISI304	natural	Q10/60-M16/M10

new



Quality	Finish	art.
AISI304	natural	Q10/ANGLE-0-2-100

new



art.	ml	quality	description
Q5/01GF-300 Nordic		vinylester	-20°C +10°C
Q5/01GF-400 Nordic			
Q5/01GF-300			-10°C +30°C
Q5/01GF-400			

top



art.	ml	quality	description
Q5/01B-300		vinylester	-10°C +40°C
Q5/01B-400			
Q5/01B-400 Winter			-20°C +20°C

new



art.	ml	quality	description
Q5/01GFP-300		Polyester	-5°C +30°C
Q5/01GFP-400			



art.	ml	quality	description
Q5/05TR-310		Silicone	-5°C +40°C



art.	ml	quality	description
Q5/01-WIT-UH300...	320	uretan vinylester	-5°C +40°C
Q5/01-WIT-VM250...	300	vinylester	-10°C +40°C



Q5/04-250

art.	M	L
Q5/04	17	215
Q5/04-250	8	250

new



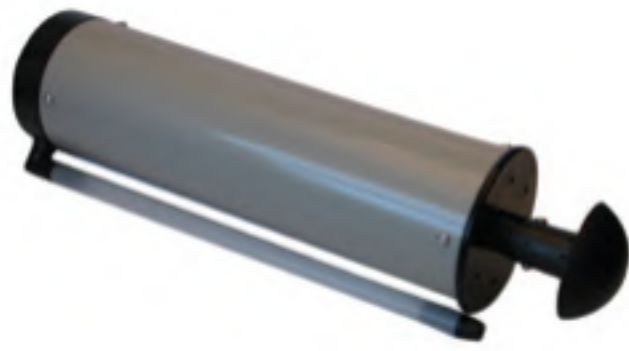
art.	description
Q5/03-300	300ml, hobby



art.	description
Q5/03-400	400ml, profi



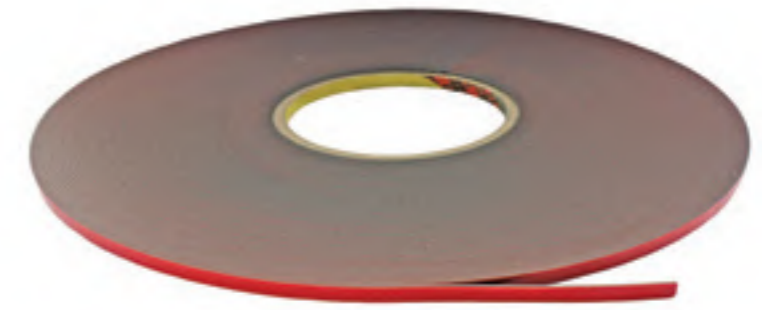
art.	description
Q5/01-16x130	mesh



art.	description
Q5/02	blow pump



art.	t	b	L
Q9/03-3x12	3	12	16,5

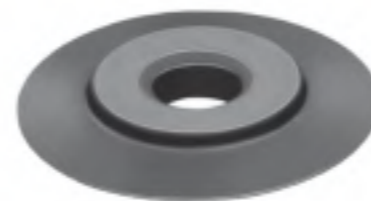


art.	t	b	L
Q9/03-0,2x9	0,2	9	50
Q9/03-0,5x9	0,5	9	33
Q9/03-2x6	2	6	16,5

new



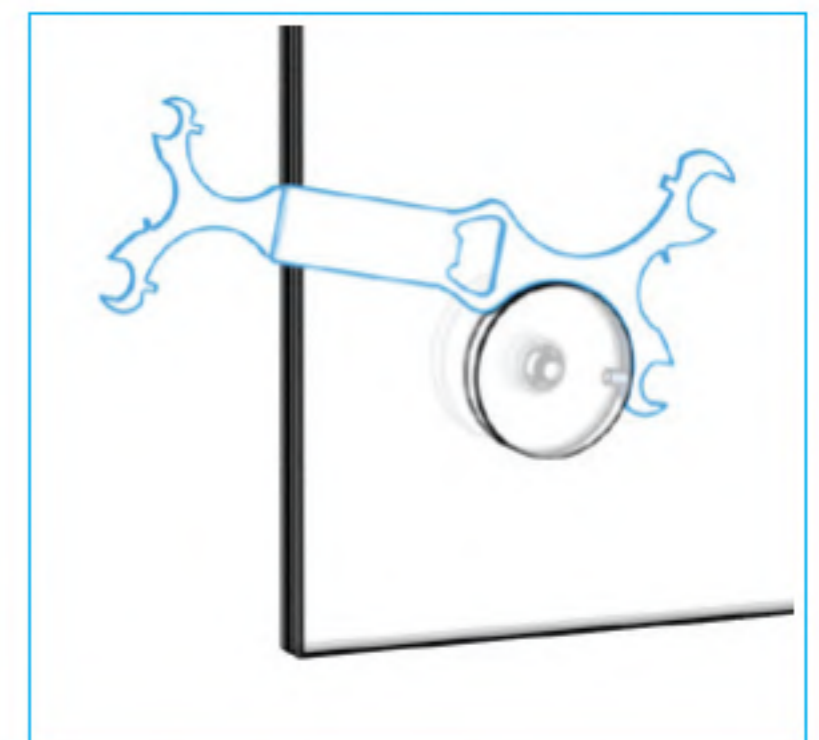
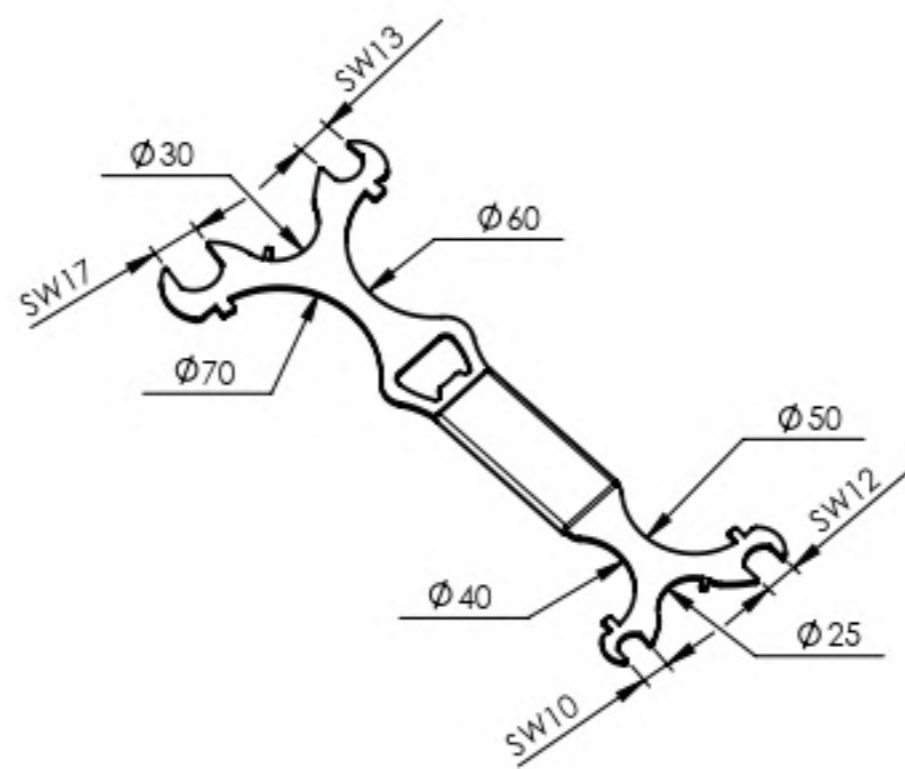
art.	∅	description
Q1/B02-INOX	3-45	Pipe cutting

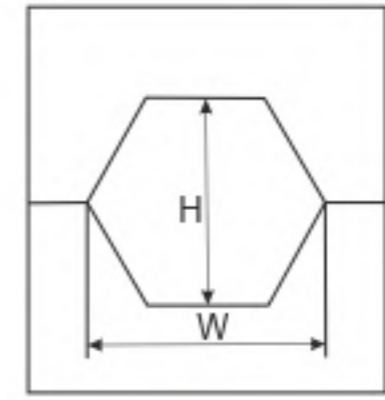


art.	compatibility
Q1/B02-INOX-RK	Q1/B02-INOX



Quality	Finish	art.
AISI304	raw	A19/model741-8





art.	Mould size	W	H
Q8/95	4	4	3
	6	5	3,5
	8	6	4,5
	10	6,5	5,4
	16	7,3	6,4
	25	9	7,4
	35	11	9,2
	50	13	10,8
70	15	12,6	



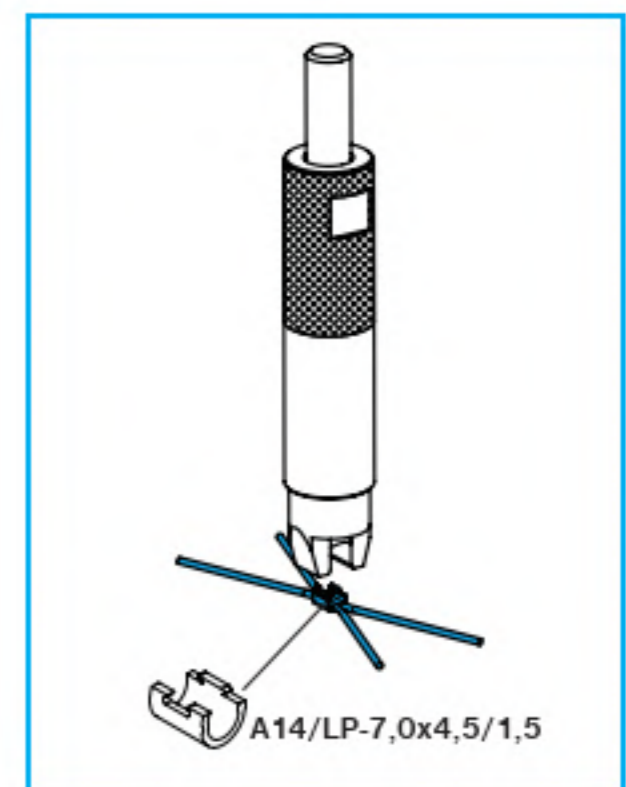
new

art.	description	operation
Q8/LP-7x4,5	riveting punch	2 steps

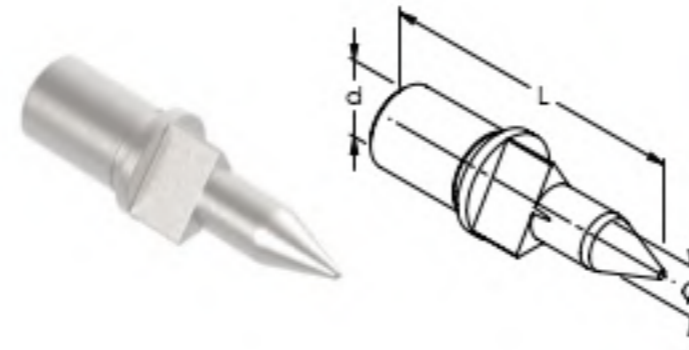


new

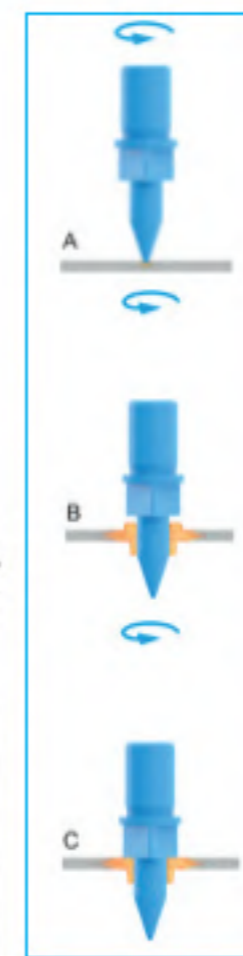
art.	description	operation
Q8/LP-7x4,5-B	riveting punch	1 step



Quality	art.	M	Ø
HSS-CO5	A-DRILL-M5	5	4
	A-DRILL-M6	6	4,8
	A-DRILL-M8	8	6,4



Quality	art.	M
HSSE	A/FDRILL-M5C	5
	A/FDRILL-M6C	6
	A/FDRILL-M8C	8
	A/FDRILL-M10C	10



new

art.	description	ml
J08/08	cutting/drilling oil	400



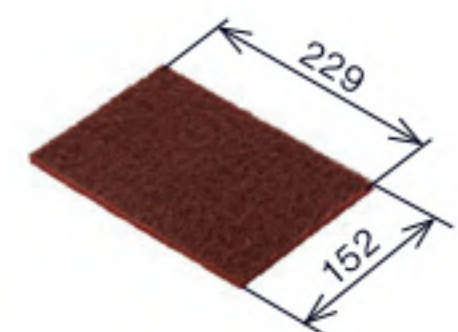
art.	description
Q1/RN01-125x1	cutting disc
Q1/RN01-150x1,6	
Q1/RN01-230x2	

top new

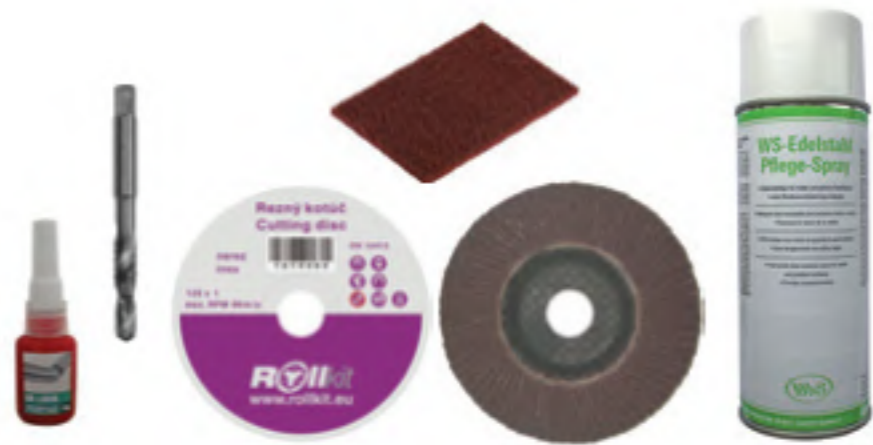


art.	description
Q1/L01-125-40	flap disc
Q1/L01-125-60	
Q1/L01-125-80	
Q1/L01-125-120	

new



art.	granularity
Q1/G01	360



Q/INOX-INSTALL-SET



Q/INOX-INSTALL-SET-B

new

art.								
Q/INOX-INSTALL-SET	1x	-	-	1x	1x	1x	1x	1x
Q/INOX-INSTALL-SET-B	-	1x	1x	2x	2x	1x	1x	2x



art.	g	gap	description
A/Glue-10g-C	10	0,2	INOX



art.	g	gap	description
A/Glue-20g	20	0,2	all purpose superfast



art.	g	gap	description
A/GLUE-50g-C	50	0,2	INOX
A/GLUE-50g-D		0,4	INOX



new

art.	ml	description
Q5/05-MAMUT	290	instant fix



new

art.	ml
GS/Cleaner-Glass	200



new

art.	ml
GS/Cleaner-Metal	200



A/ACTIVATOR



CA/ACTIVATOR



CA/LAK

art.	g	description
A/ACTIVATOR-50g	50	for A/Glue..
CA/ACTIVATOR	1000	corten effect
CA/LAK		lacquer for corten

new

new

new



art.	ml	description
A/spray-WS	400	INOX

top



art.	ml	description
A/Cleaner-500ml	500	INOX



Art.
PNL/G04-28x15-BOX

new



Art.
PNL/G04-28x15

new



Art.
PNL/G03-30x42



Art.
REK-CASE-ALU



Art.
REK-CASE-INOX3



Art.
GS/SAMPLE...



Art.
kat-Forged-2024/25



Art.
kat-Gates-2024/25



Art.
kat-Automations-2023/24



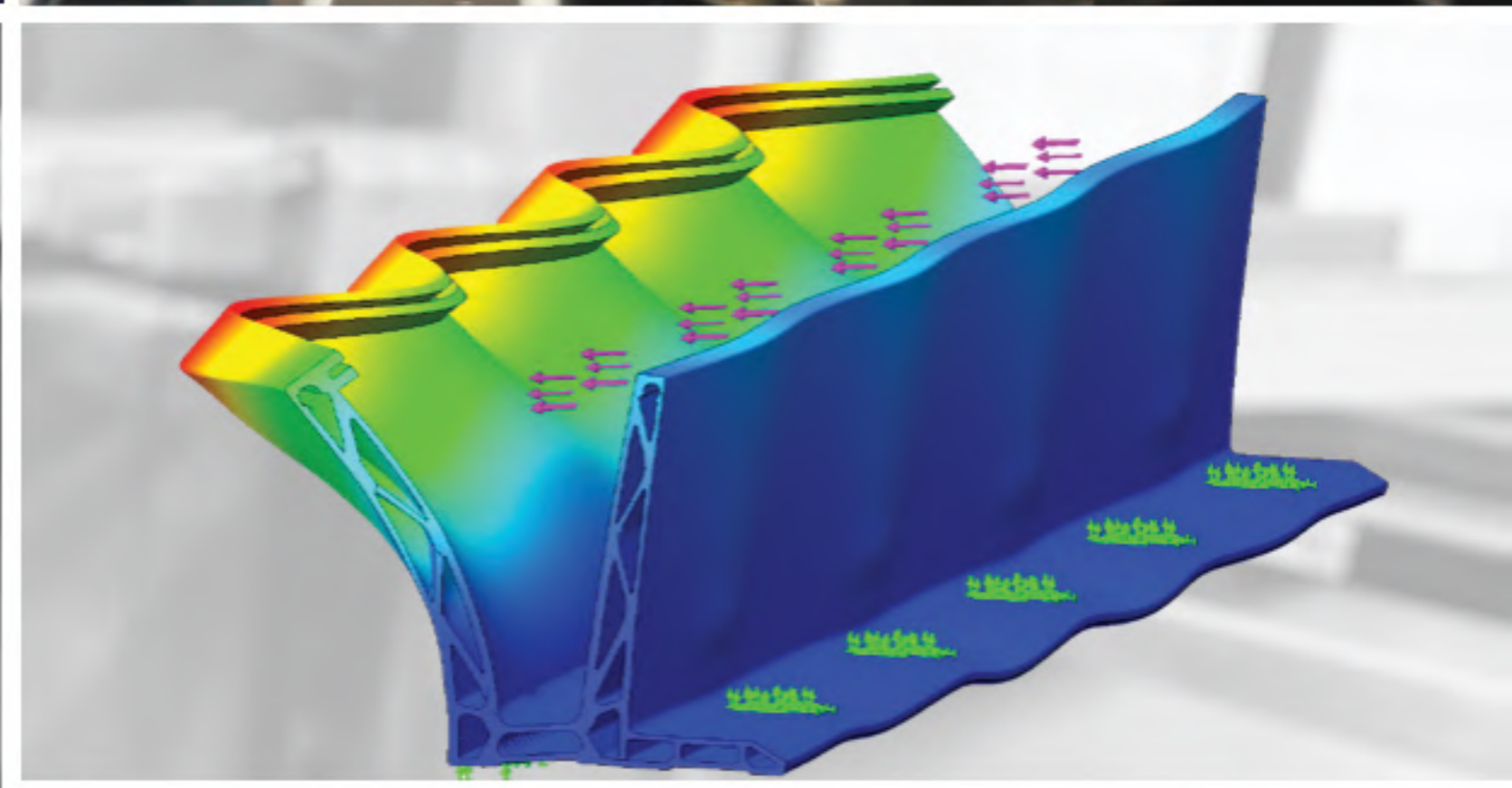
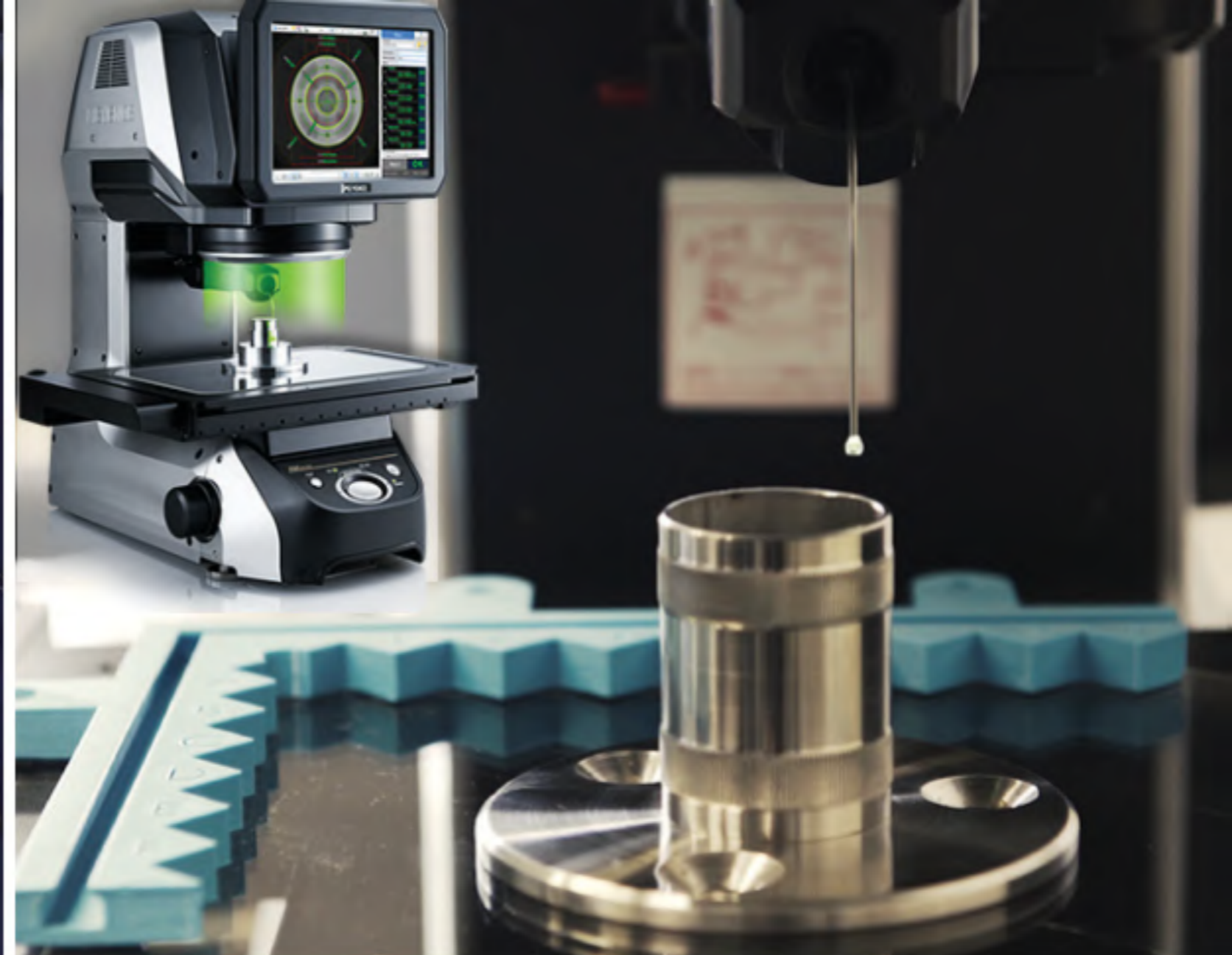
Art.
KAT-GLASS RAILINGS-2024/25

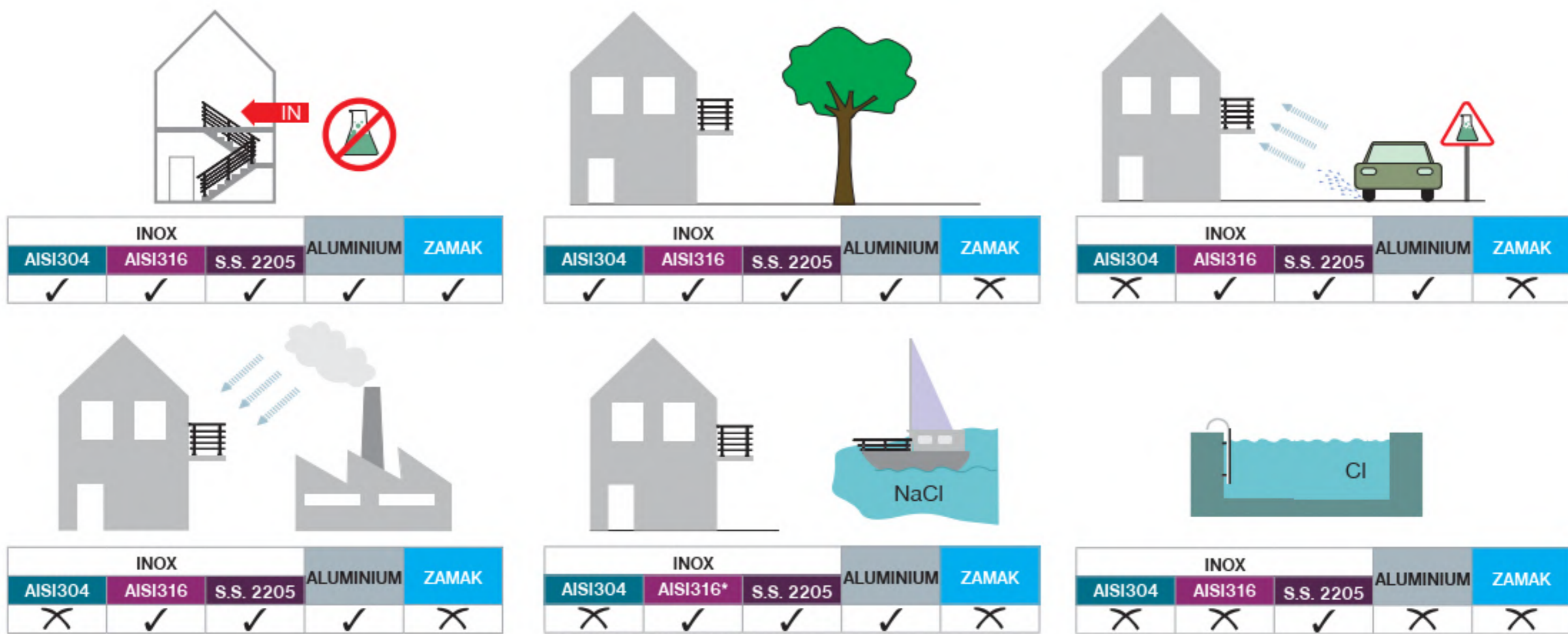


Art.
KAT-POST RAILINGS-2024/25



Art.
KAT-GLASS SYSTEMS-2024/25





* only mirror finish (polished)

material						
AISI304	nerezová oceľ	stal nierdzewna	rozsdamentes acél	stainless steel	Edelstahl	INOX
AISI316						
S.S. 2205						
CORTEN	corten oceľ	corten stal	corten acél	corten steel	Cortenstahl	corten
ALUMINIUM	hliník	aluminium	alumínium	aluminium	Aluminium	aluminium
ZAMAK	zliatina Zn+Al	stop cynku i aluminium	Zn+Al ötvözet	ZAMAC	Zinkdruckguss	alliage Zn+Al
Fe	železo	želazo	vas	iron	Eisen	fer
Zn	zinok	cynk	cink	zinc	Zink	zinc
Brass	mosadz	miedź	sárgaréz	brass	Messing	laiton
PVC	polyvinyl chloride					
PETG	polyethylene terephthalate glycol					
Rubber	guma	guma	gumi	rubber	Gummi	gomme
Beech	buk	buk	bükk	beech	Buche	hêtre
Oak	dub	dąb	tölgy	oak	Eiche	chêne
Spruce	smrek	świerk	lucfenyő	spruce	Fichte	épicéa
VSG/ESG	sklo	szkło	üveg	glass	Glas	verre
finish/effect						
satin	brus K320	szlif K320	szálciszolt K320	brushed K320	geschliffen K320	brossé K320
silver	strieborný	srebro	ezüst	silver	Silber	argent
polish	lesk	polerowany	tükör polírozott	polished	poliert	poli
raw	surový	surowy	nyers	raw	roh	brossé
natural	nebrúsený	neszlifovany	natúr	rough	ungeschliffen	non-brossé
INOX	nerez	nierdzewny	rozsdamentes	inox	Edelstahl	inox
ELOX	eloxovaný	anodowany	eloxált	elox	Eloxiert	anodisé
	potrebné úpravy	niezbędne przystosowanie	szükséges módosítás	necessary modification	Anpassung ist notwendig	modification nécessaire
	nezmontované	niezłożone	nem összeszerelt	not assembled	unmontiert	non assemblé
	približný rozmer	przybliżone wymiary	közeliítő méretek	approximate dimension	die Abmessungen sind ungefähr	dimensions approximatives
	bestseller	bestseller	legjobban eladott	best seller	Bestseller	best-seller
	novinka	nowość	új	new	Neuheit	nouveau
	RAL color					
	PVD = (physical vapor deposition) coating PVD-L = polished surface finish					
	LED					

INOX AISI 304

- vhodný do prostredia bez chlóru a oxidu siričitého

INOX AISI 316

- vhodný do prostredia s vysokým obsahom chlóru, oxidu siričitého, vysokej vlhkosti, do prímorských regiónov
INOX S.S. 2205- vhodný do prostredia s vysokým obsahom chlóru, oxidu siričitého, vysokej vlhkosti s prítomnosťou soli na pobreží a na voľnom mori.

INOX AISI 304

- suitable for the environment without chlorine and sulphur dioxide load

INOX AISI 316

- suitable for the environment with a high content of chlorine, sulphur dioxide load, high humidity, coastal regions

INOX S.S. 2205

- Suitable for environments with a high content of chlorine, sulfur dioxide, high humidity with salt on the coast and on the high seas.

INOX AISI 304

- przeznaczone dla środowiska bez dwutlenku siarki oraz chloru

INOX AISI 316

- przeznaczone dla środowiska o wysokiej zawartości dwutlenku siarki oraz chloru, wysokiej wilgotność oraz w regionach nadmorskie

INOX S.S. 2205

- Nadaje się do środowisk o wysokiej zawartości chloru, dwutlenku siarki, o wysokiej wilgotności, o dużym zasoleniu, w strefach nadmorskich, lub w bezpośrednim kontakcie z wodą morską.

INOX AISI 304

- alkalmazható olyan környezetben, ahol nincs klór és kén-dioxid terhelés

INOX AISI 316

- alkalmazható olyan környezetben, ahol magas a klór-, vagy kén-dioxid terhelés, magas a páratartalom, tengerparti régiókban

INOX S.S. 2205

- „Alkalmazható magas klór-, kén-dioxid-, sós nedvességtartalmú környezetben, valamint tengerparton és a nyílt tengeren”.

INOX AISI 304

- geeignet in Umgebung ohne Chlor und Schwefeldioxid

INOX AISI 316

- geeignet in Umgebung mit einem hohen Gehalt an Chlor, Schwefeldioxid oder in Umgebung mit hoher Luftfeuchtigkeit, in Küstenregionen

INOX S.S. 2205

- geeignet für Umgebungen mit hohem Gehalt an Chlor, Schwefeldioxid und hoher Luftfeuchtigkeit mit Salz an der Küste und auf hoher See

INOX AISI 304

- Convenable pour les environnements sans chlore et/ ou bioxyde de soufre

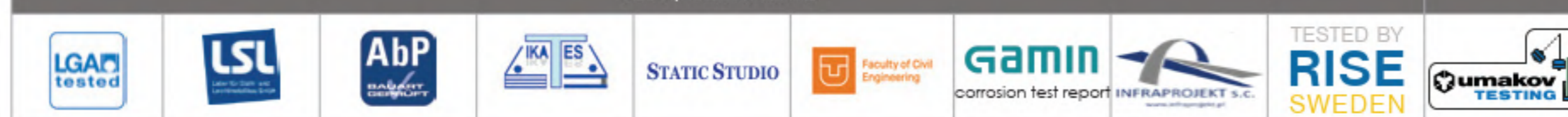
INOX AISI 316

- Convenable pour les environnements avec un contenu élevé de chlore et/ ou de bioxyde de soufre, une grande humidité, régions maritimes

INOX S.S. 2205

- Convenable au milieu avec un contenu élevé du dioxyde de soufre, ainsi qu'au milieu humide contenant du sel, tel que le bord de mer ou la mer ouverte.

TEST / CERTIFICATE



© právo na technické, tvarové a rozmerové zmeny vyhradené/ rights to technical, shape and dimensional changes reserved

pre najnovšie informácie navštívte našu webovú stránku www.umakov.sk / for latest information please visit our web site www.umakovshop.com